

US00D640826S

(12) **United States Design Patent**
Beigel et al.

(10) **Patent No.:** **US D640,826 S**
(45) **Date of Patent:** **** Jun. 28, 2011**

(54) **HEADLIGHT BEZEL OF A TRUCK VEHICLE**

(56)

References Cited

(75) Inventors: **David J. Beigel**, Payne, OH (US);
Marcey K. Collins, Fort Wayne, IN
(US); **Joseph F. DeNatale**, Fort Wayne,
IN (US); **Frederick William Dyer**, Fort
Wayne, IN (US)

U.S. PATENT DOCUMENTS

D316,461	S	*	4/1991	McGlothlin	D26/139
D318,537	S	*	7/1991	Allman	D26/139
D364,704	S	*	11/1995	Alger	D26/139
D387,469	S	*	12/1997	Saleen	D26/139
D632,424	S	*	2/2011	Fesler et al.	D26/139

* cited by examiner

(73) Assignee: **International Truck Intellectual
Property Company, LLC**, Warrenville,
IL (US)

Primary Examiner — Marcus Jackson

(74) *Attorney, Agent, or Firm* — Jeffrey P. Calfa; Mark C.
Bach; Gerald W. Askew

(**) Term: **14 Years**

(57) **CLAIM**

The ornamental design for a headlight bezel of a truck
vehicle, as shown and described.

(21) Appl. No.: **29/384,288**

DESCRIPTION

(22) Filed: **Jan. 28, 2011**

(51) **LOC (9) Cl.** **26-99**

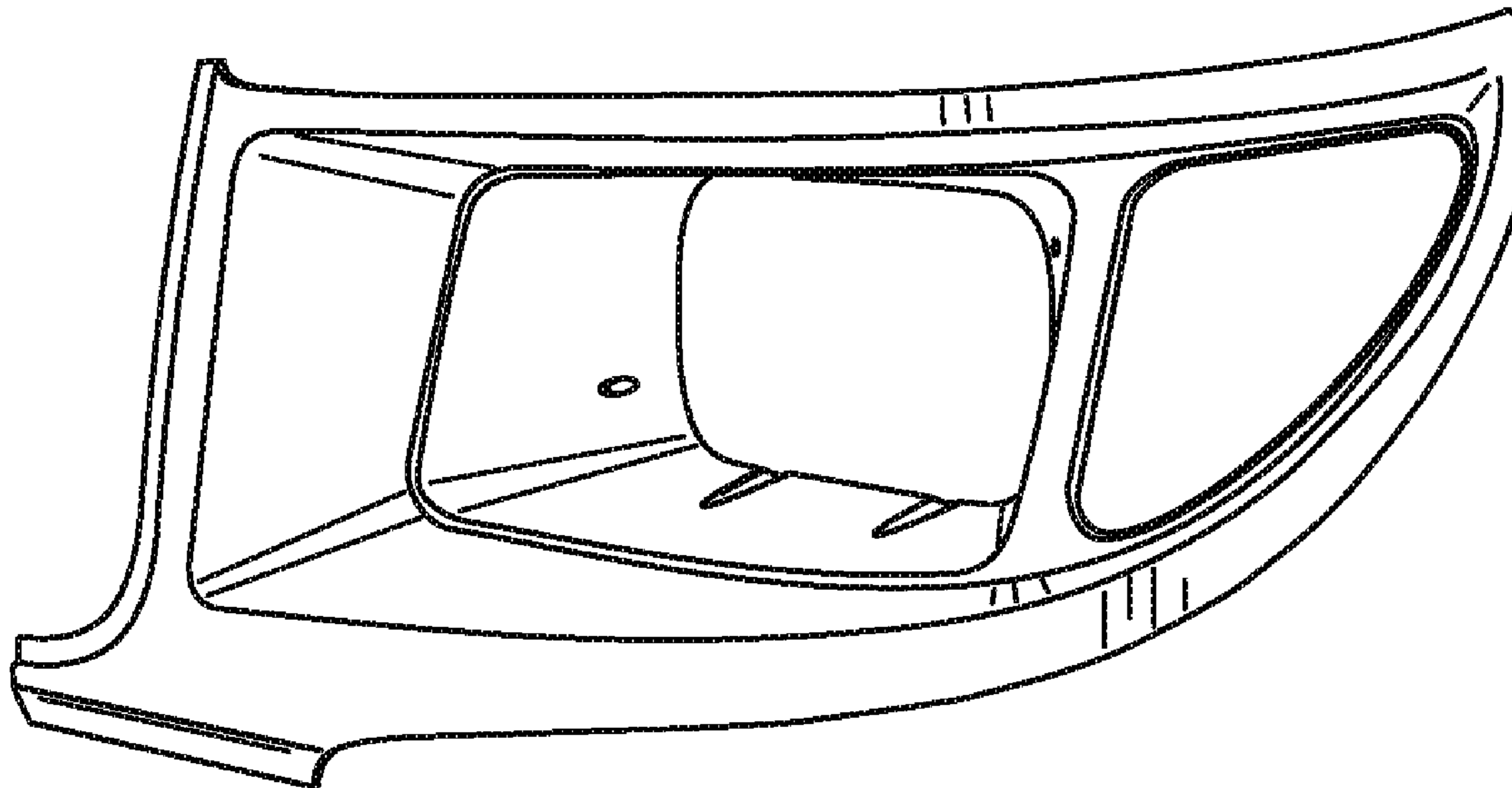
(52) **U.S. Cl.** **D26/139**

(58) **Field of Classification Search** D26/28-36,
D26/139; 362/459-468, 475-478, 485-487

FIG. 1 is a FRONT LEFT view of a headlight bezel of a truck
vehicle showing our new design;
FIG. 2 is a TOP view thereof;
FIG. 3 is a FRONT view thereof; and,
FIG. 4 is a LEFT view thereof.

See application file for complete search history.

1 Claim, 2 Drawing Sheets



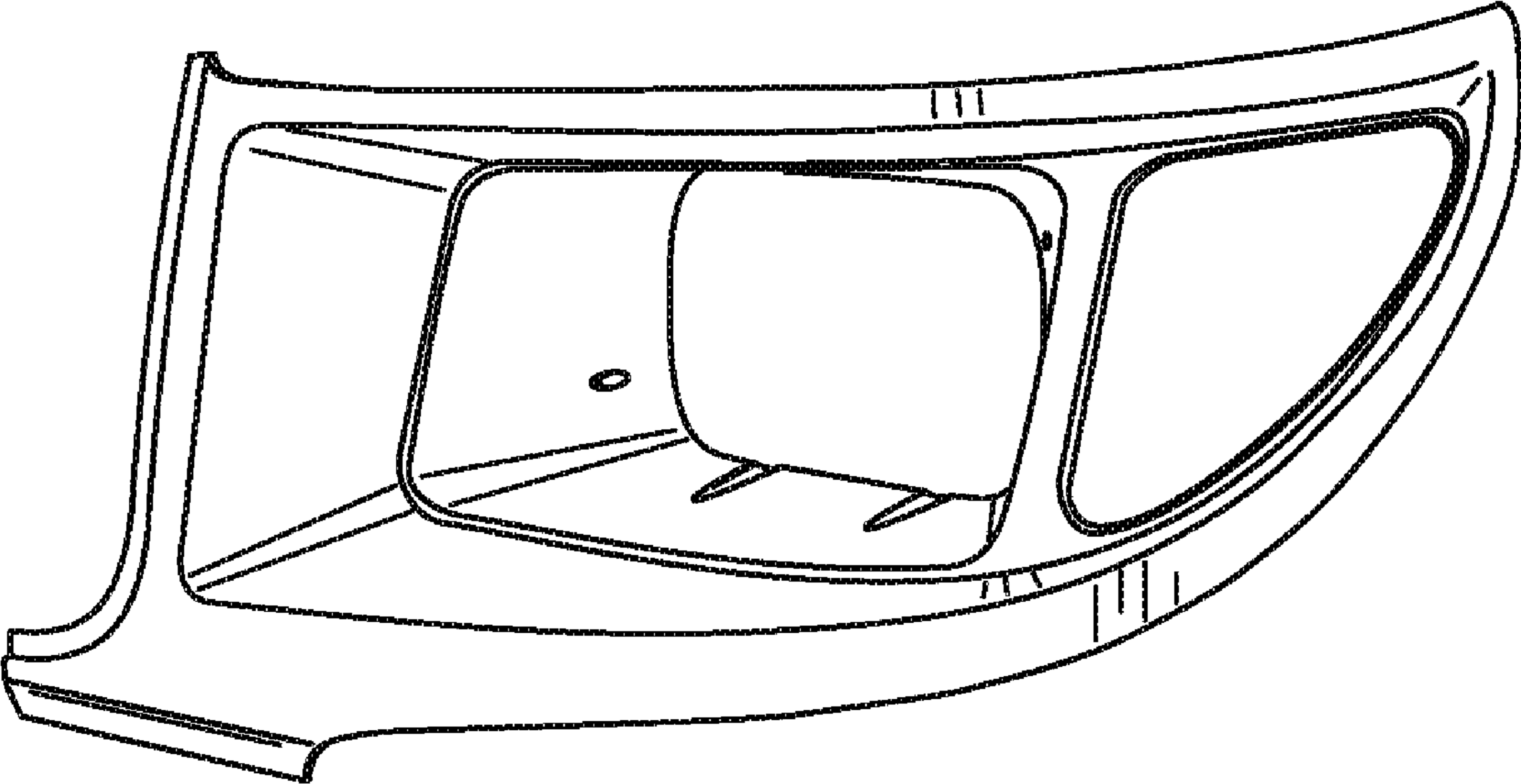


FIG. 1

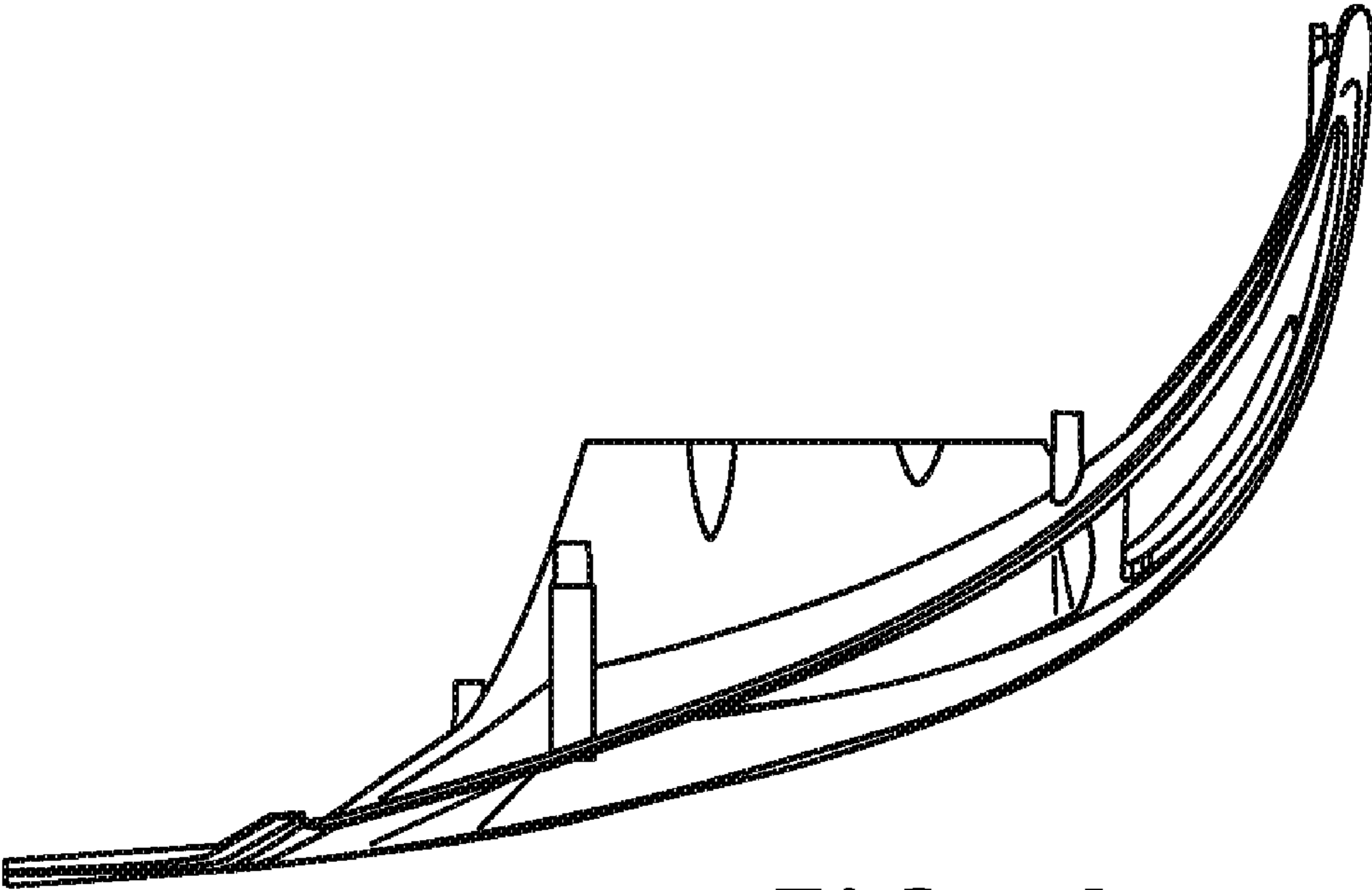


FIG. 2

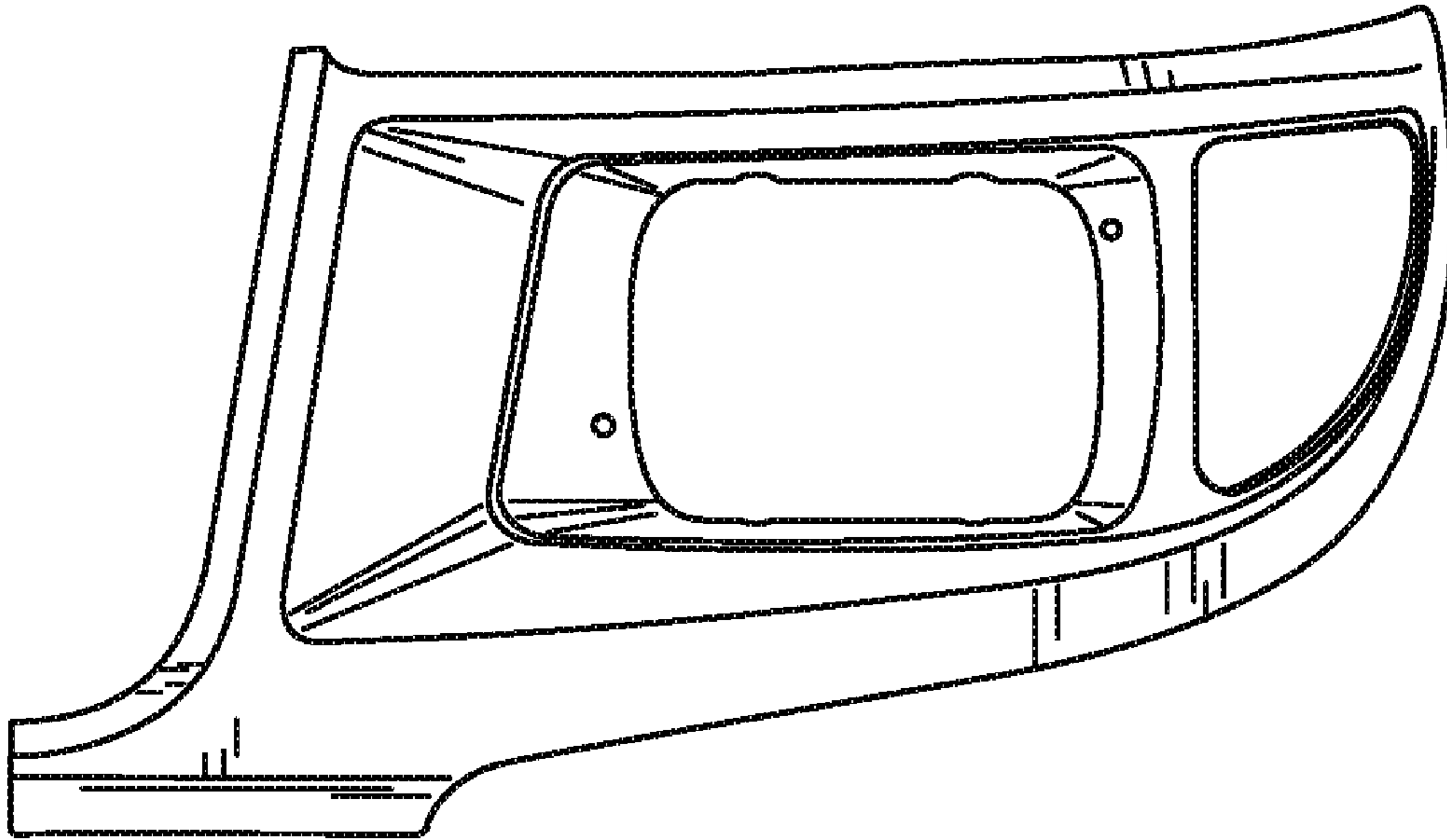


FIG. 3

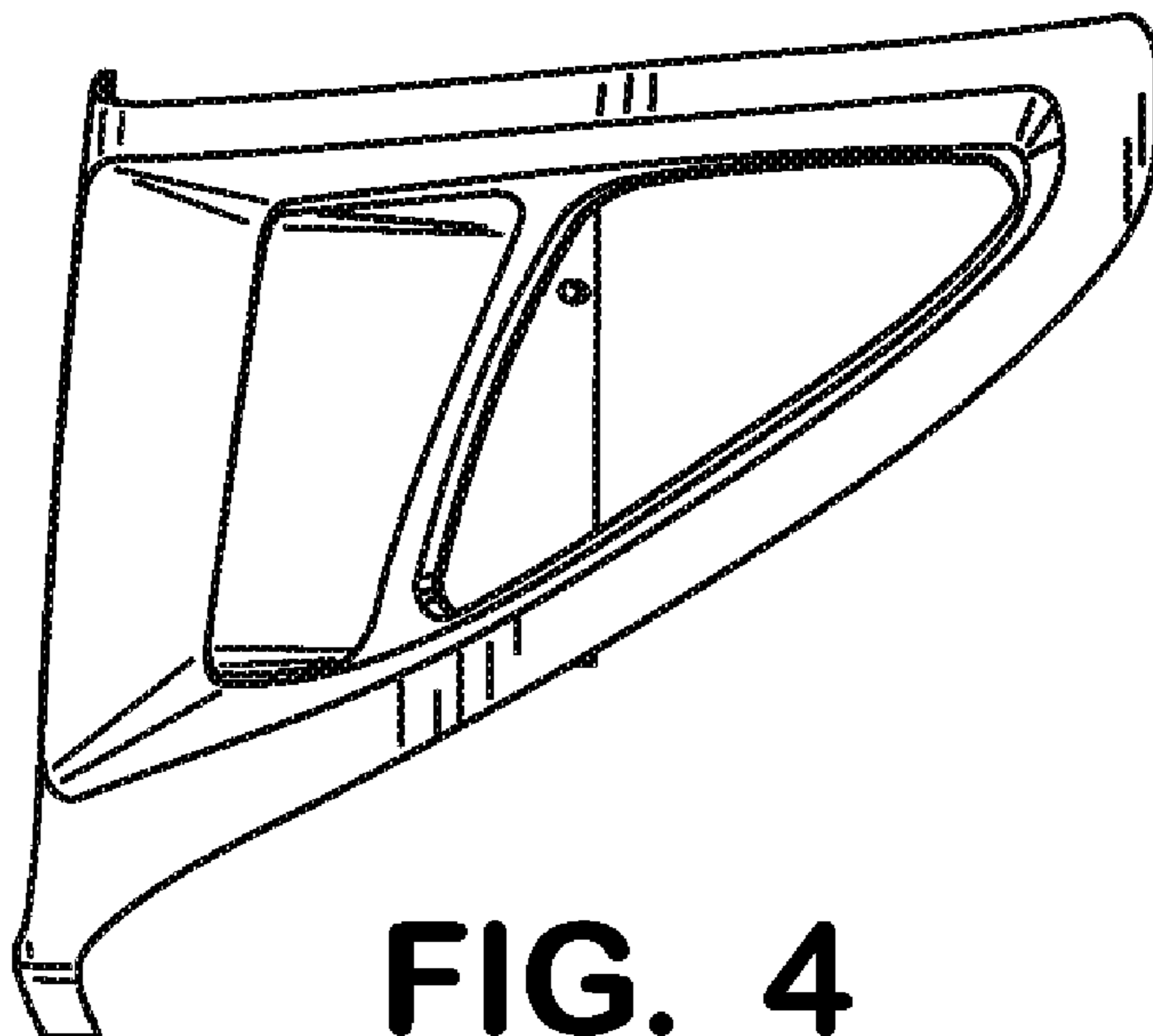


FIG. 4