



US00D640824S

(12) **United States Design Patent**
Wang et al.

(10) **Patent No.:** **US D640,824 S**
(45) **Date of Patent:** **** Jun. 28, 2011**

(54) **TABLE LAMP**

(75) Inventors: **Pao-Chuan Wang**, Taichung County (TW); **Li-Chi Hung**, Taichung (TW)

(73) Assignee: **Forhouse Corporation**, Taichung County (TW)

(**) Term: **14 Years**

(21) Appl. No.: **29/368,527**

(22) Filed: **Aug. 25, 2010**

(51) **LOC (9) Cl.** **23-03**

(52) **U.S. Cl.** **D26/93**

(58) **Field of Classification Search** D26/1,
D26/24, 67, 93-94, 101, 104-110, 113, 118;
362/3, 153, 186, 217, 255, 257, 277, 317,
362/351, 353, 362, 363, 382, 431, 433, 458,
362/806; D6/534; D11/153-154; D25/58,
D25/106

See application file for complete search history.

(56) **References Cited**

U.S. PATENT DOCUMENTS

D483,898 S * 12/2003 Murphy D26/93
D577,457 S * 9/2008 Chandler D26/93

* cited by examiner

Primary Examiner — Brian N Vinson

(74) *Attorney, Agent, or Firm* — Muncy, Geissler, Olds & Lowe, PLLC

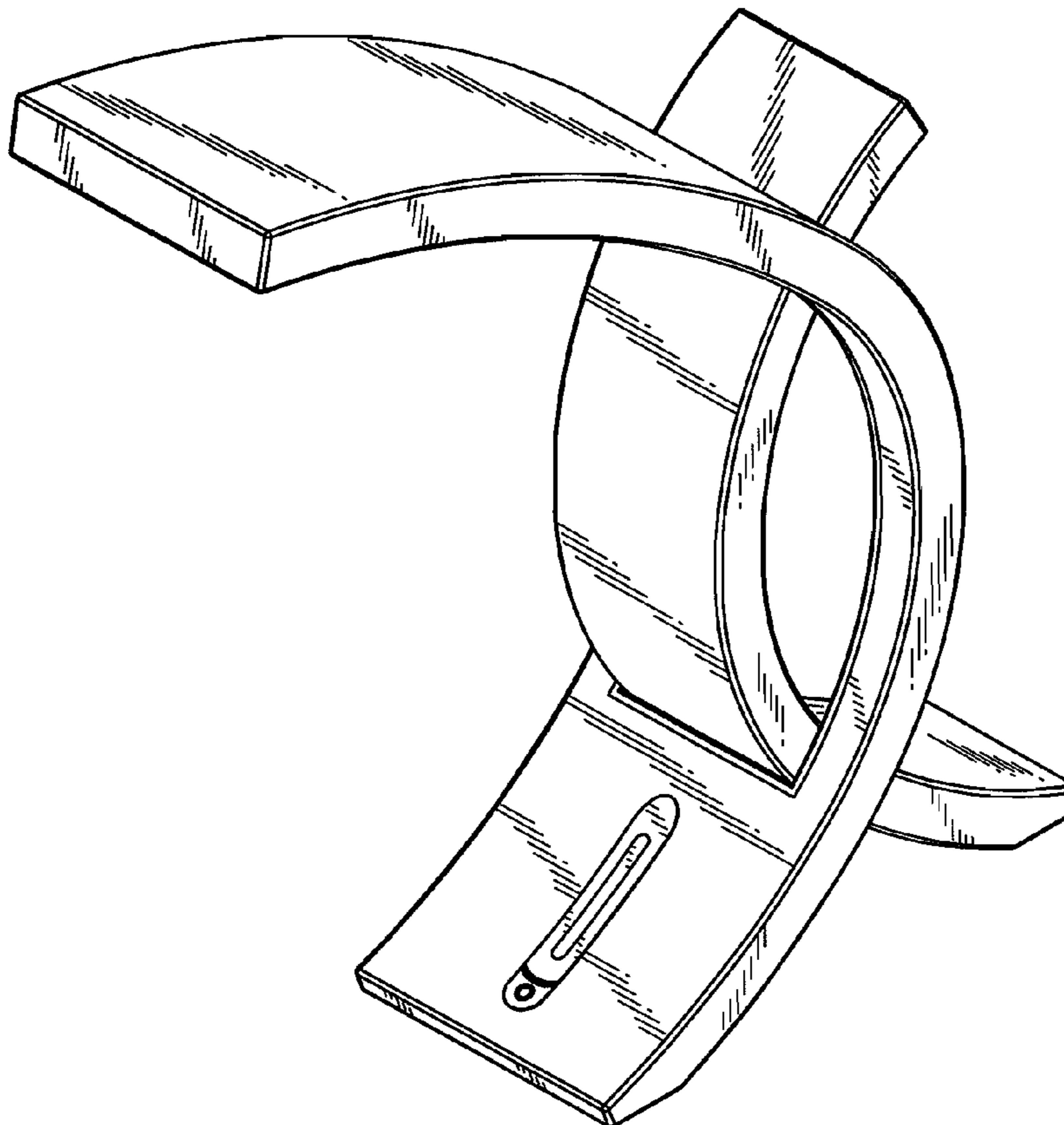
(57) **CLAIM**

The ornamental design for a table lamp, as shown and described.

DESCRIPTION

FIG. 1 shows a perspective view of the present design.
FIG. 2 shows a front elevational view of the present design.
FIG. 3 shows a rear elevational view of the present design.
FIG. 4 shows a right side elevational view of the present design.
FIG. 5 shows a left side elevational view of the present design.
FIG. 6 shows a top plan view of the present design.
FIG. 7 shows a bottom plan view of the present design; and,
FIG. 8 is another perspective view of the present design.

1 Claim, 8 Drawing Sheets



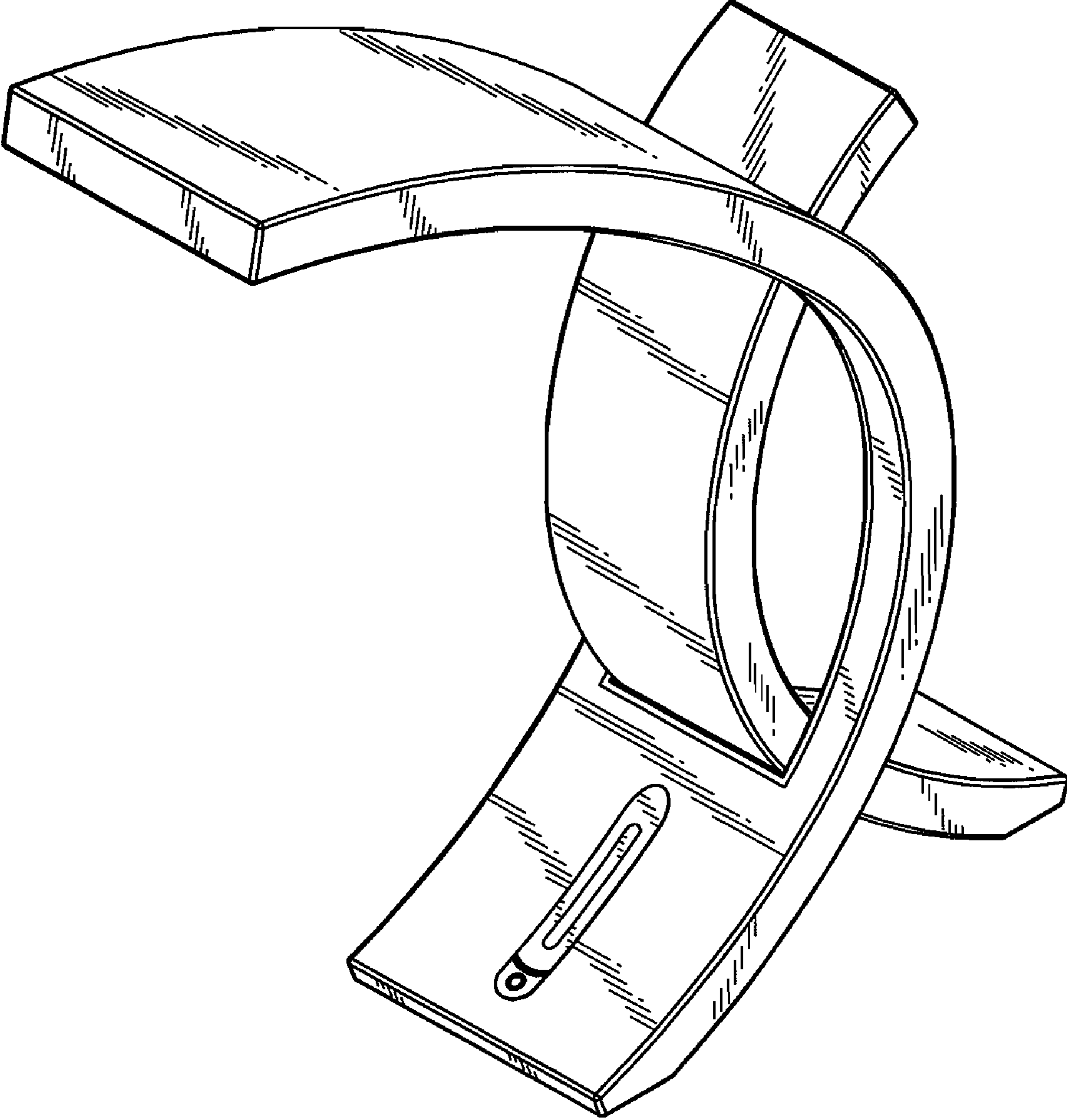


FIG. 1

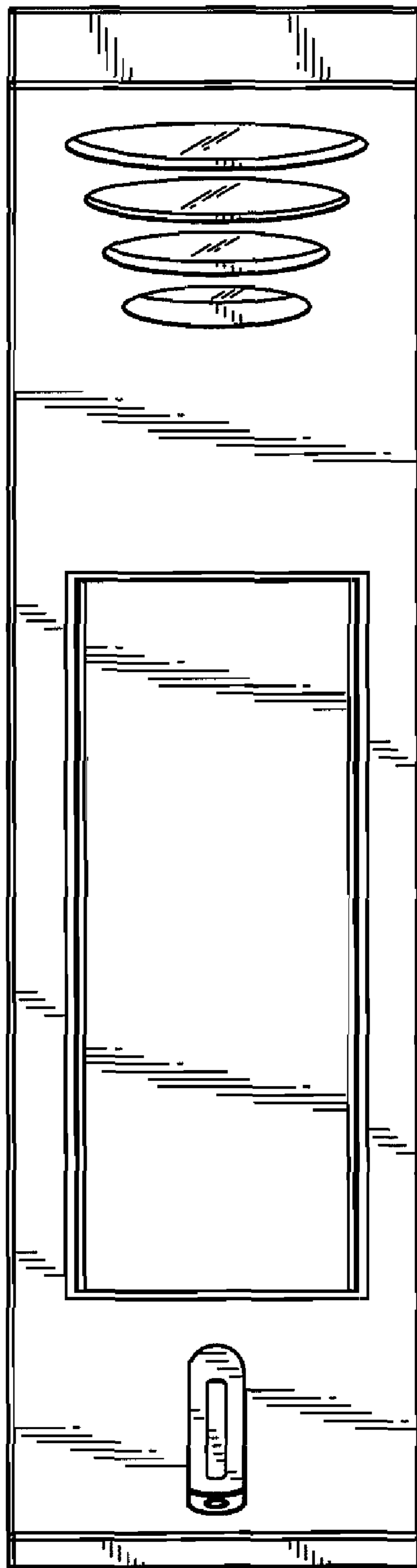


FIG. 2

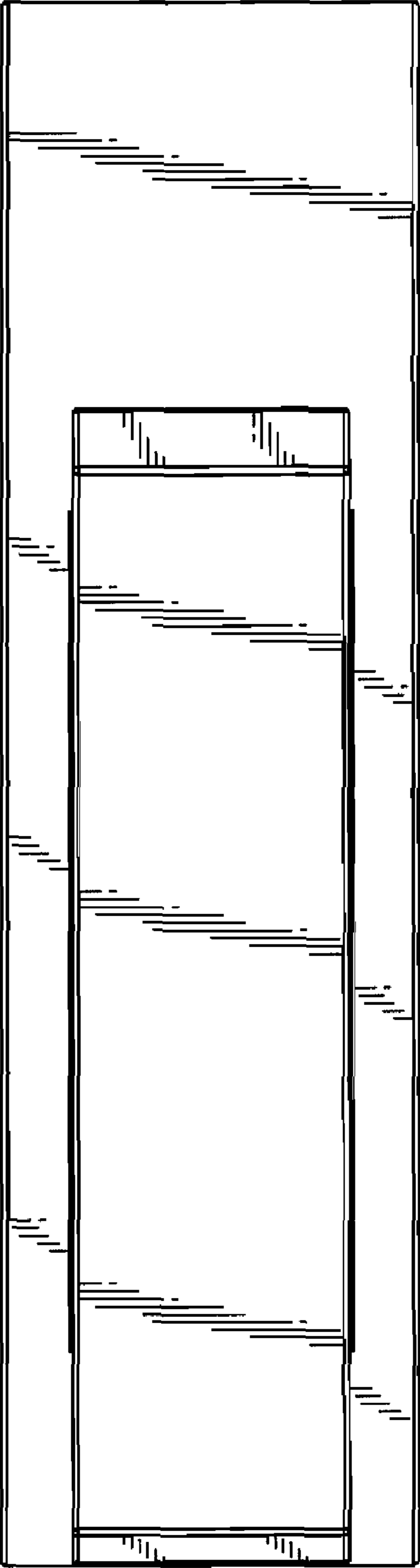


FIG. 3

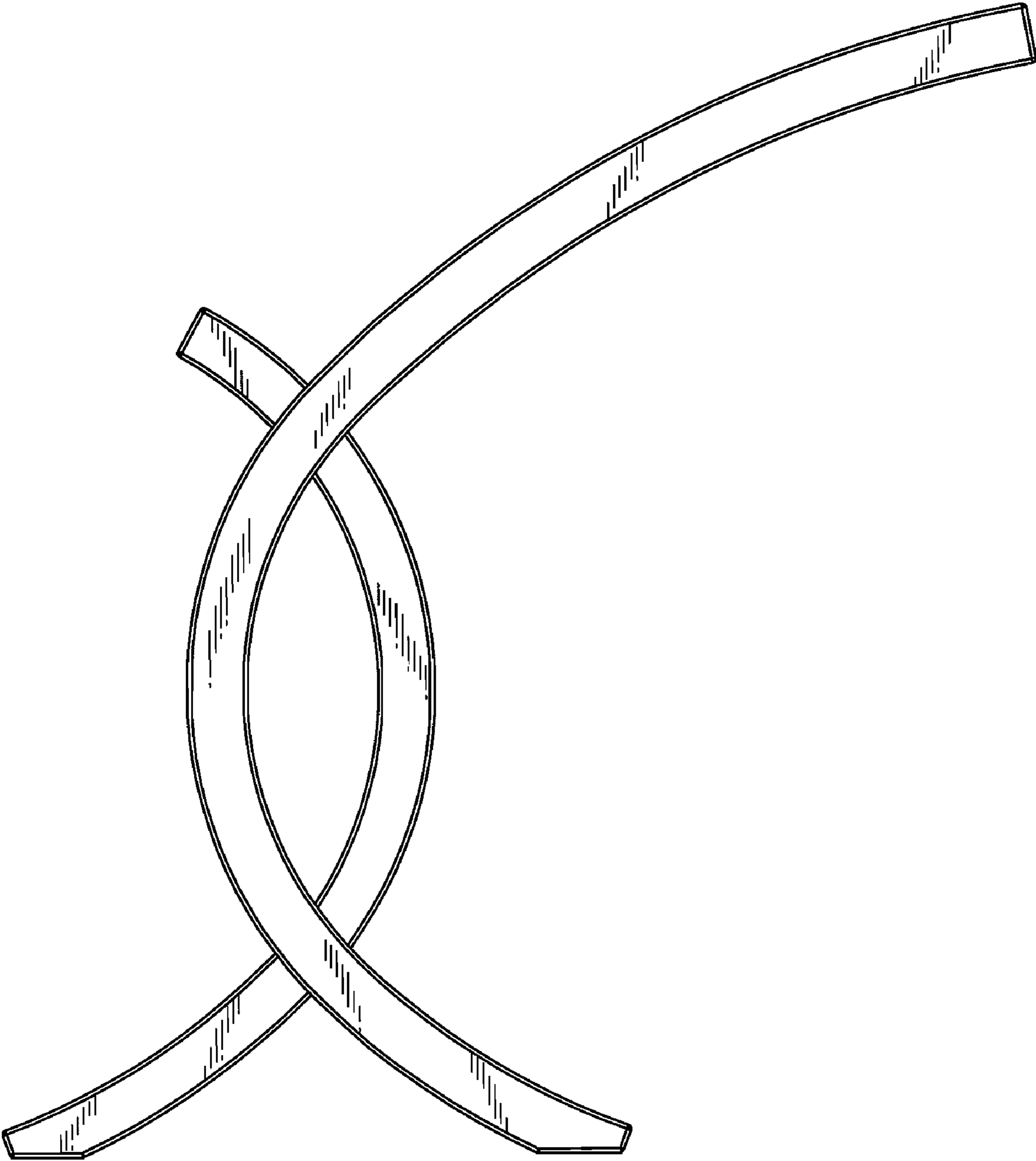


FIG. 4

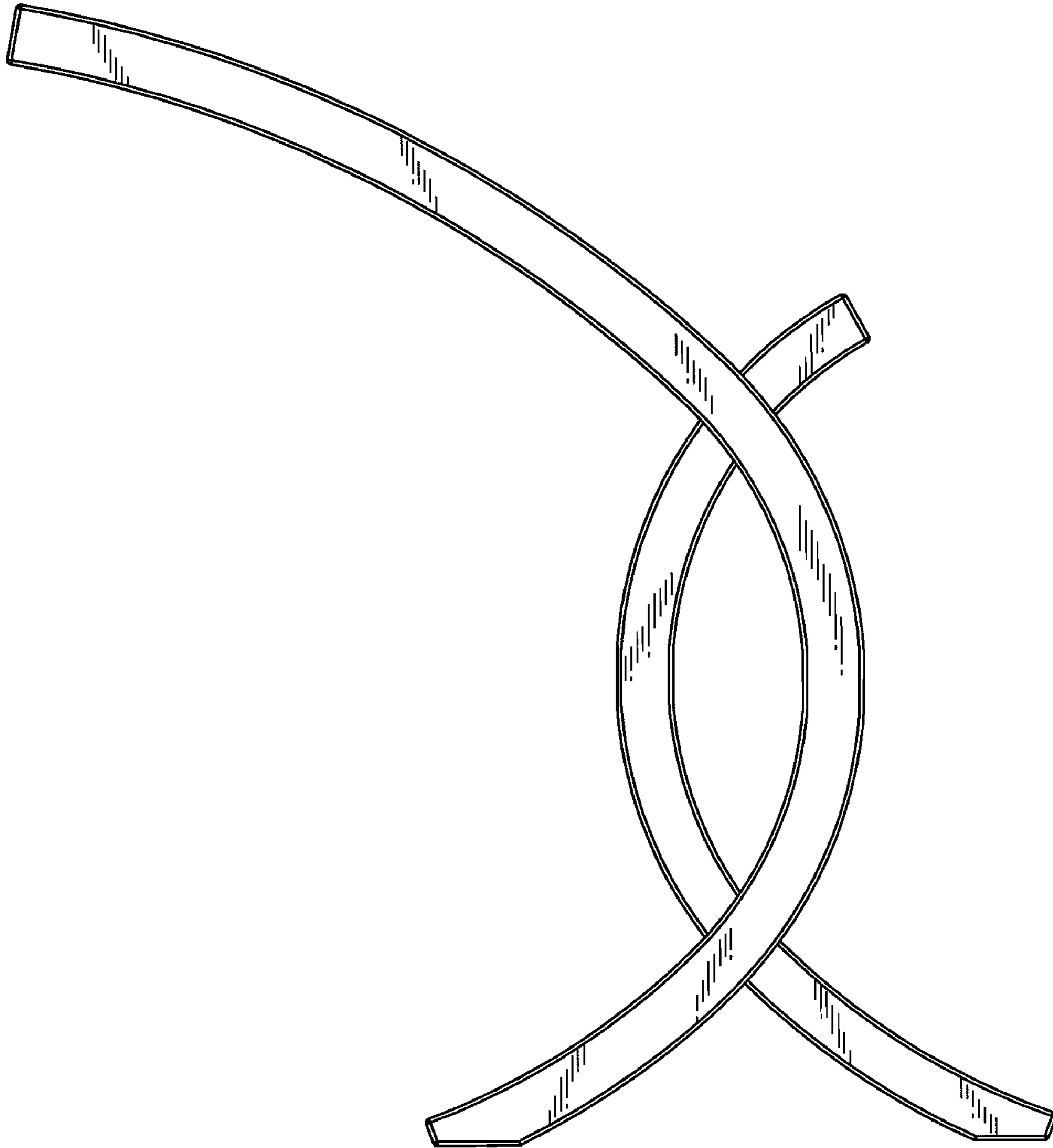


FIG. 5

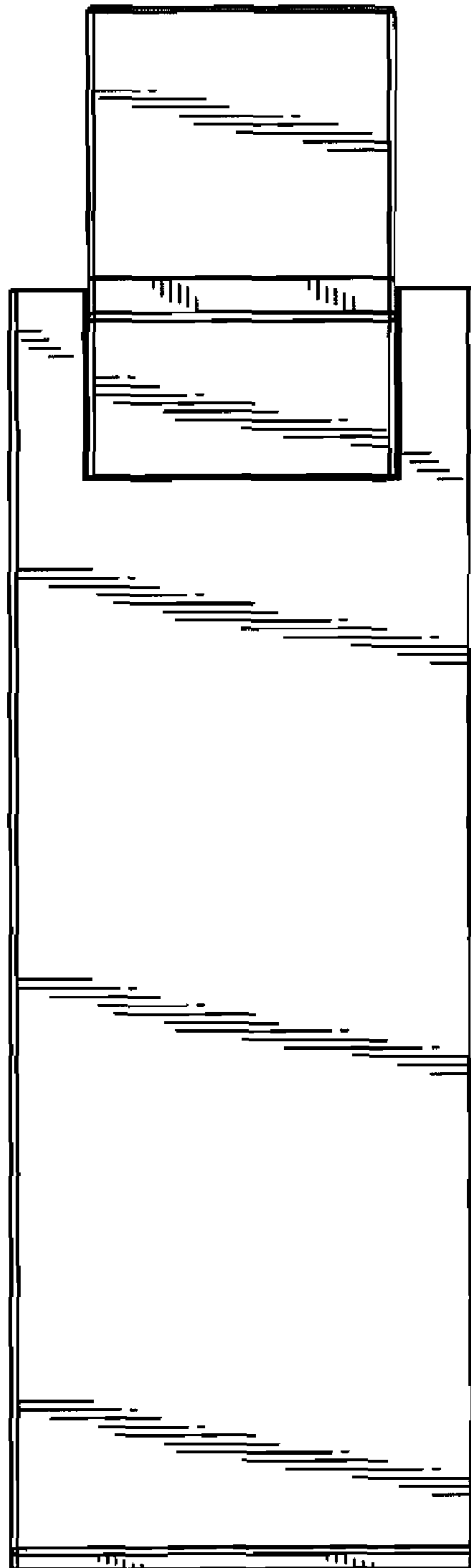


FIG. 6

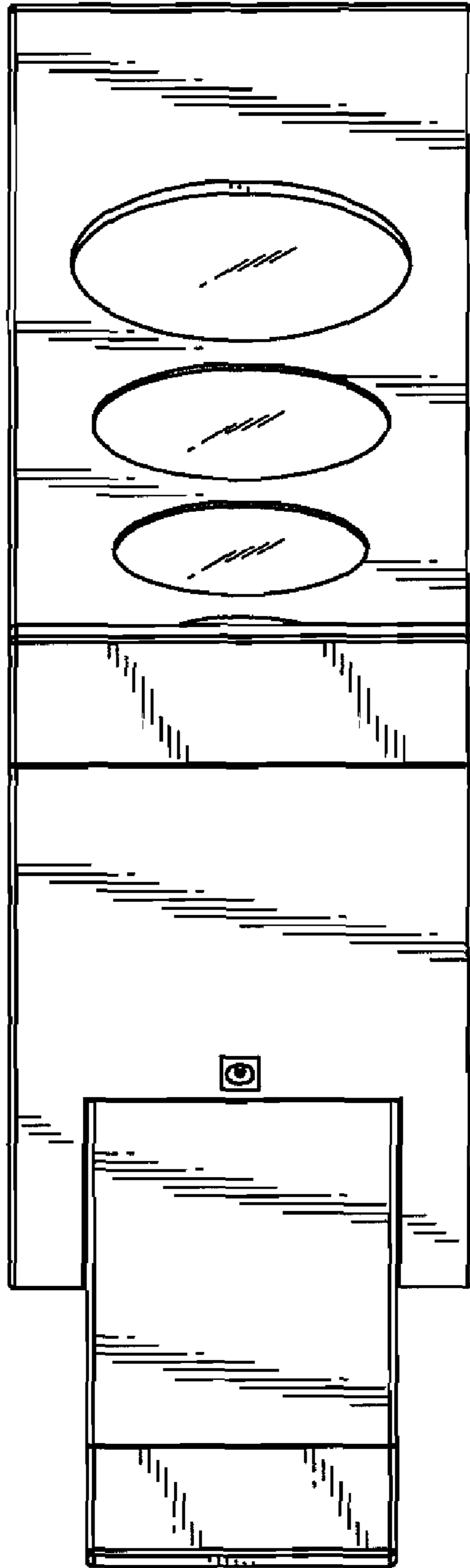


FIG. 7

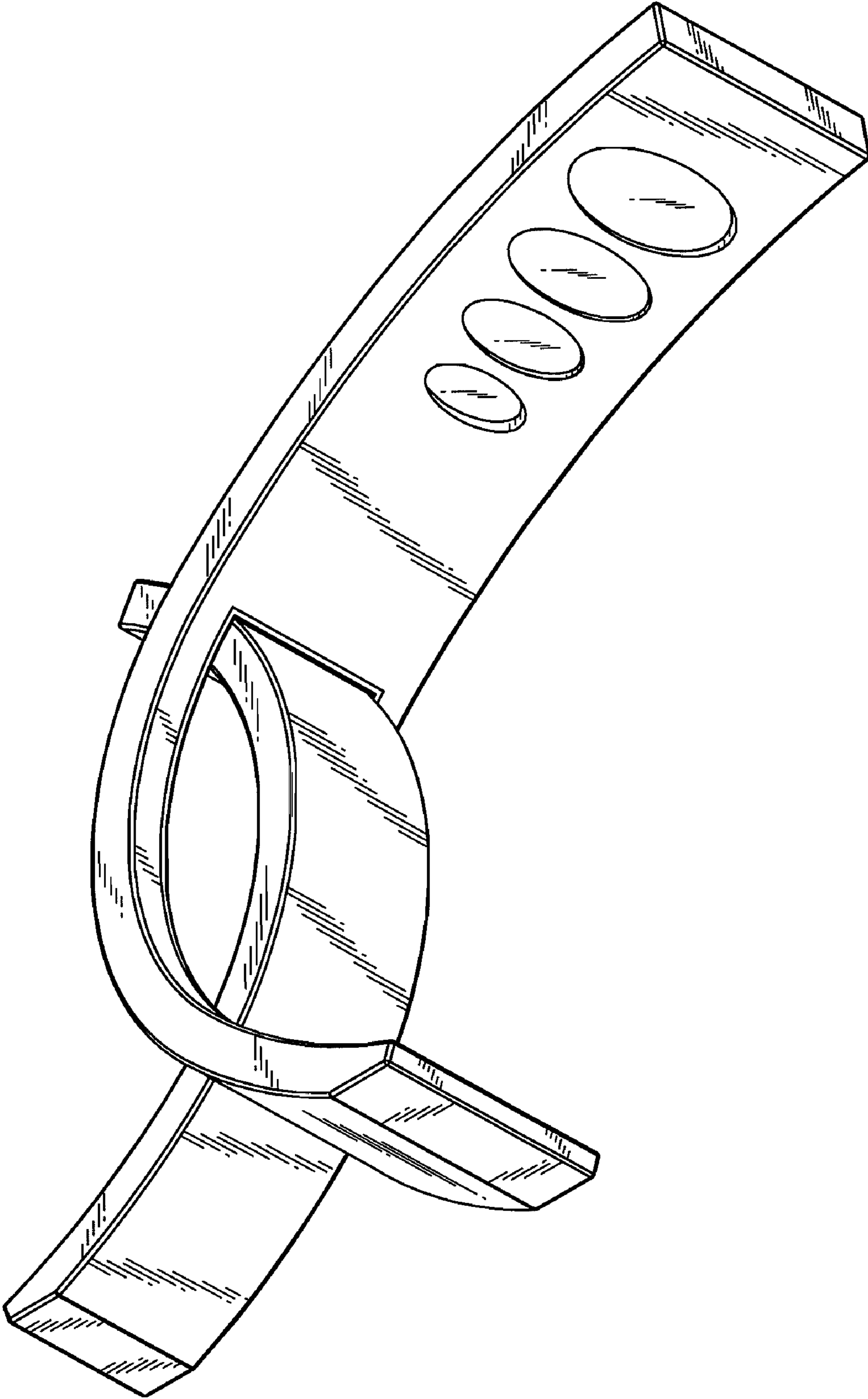


FIG. 8