



US00D640823S

(12) **United States Design Patent**  
**Hokazono et al.**

(10) **Patent No.:** **US D640,823 S**

(45) **Date of Patent:** **\*\* Jun. 28, 2011**

(54) **CEILING LIGHT**

(75) Inventors: **Kaoru Hokazono**, Osaka (JP); **Ichiro Muraishi**, Osaka (JP)

(73) Assignee: **Sharp Kabushiki Kaisha**, Osaka (JP)

(\*\*) Term: **14 Years**

(21) Appl. No.: **29/379,144**

(22) Filed: **Nov. 15, 2010**

(30) **Foreign Application Priority Data**

May 19, 2010 (JP) ..... 2010-012274

(51) **LOC (9) Cl.** ..... **26-03**

(52) **U.S. Cl.** ..... **D26/89**

(58) **Field of Classification Search** ..... D26/72,  
D26/85, 89, 119, 128; 362/147, 350, 404-408,  
362/453-456

See application file for complete search history.

(56) **References Cited**

**U.S. PATENT DOCUMENTS**

D89,273	S	*	2/1933	Blau	.....	D26/131
2,255,431	A	*	9/1941	Marden et al.	.....	362/253
D190,827	S	*	7/1961	Phillips	.....	D26/89
D240,320	S	*	6/1976	Anderson et al.	.....	D26/85
D341,442	S	*	11/1993	Shapiro	.....	D26/118
D417,269	S	*	11/1999	Thomas, Jr.	.....	D26/59
D482,484	S	*	11/2003	Benghozi	.....	D26/85
D498,871	S	*	11/2004	Benensohn	.....	D26/89
D509,617	S	*	9/2005	Benghozi	.....	D26/89

D511,020	S	*	10/2005	Egawa et al.	.....	D26/89
D601,744	S	*	10/2009	Sakuma	.....	D26/89
D617,485	S	*	6/2010	Hamilton et al.	.....	D26/67

**OTHER PUBLICATIONS**

eurostylelighting.com visited Aug. 5, 2010: 1.) Sonneman Saturn 14" surface ceiling light fixture. 2.) Holtkoetter Old Bronze Halogen ceiling light fixture. 3.) Kichler Stella collection ceiling lights. (3 pages).\*

edgelighting.com PDF created Feb. 26, 2009: Vanilla Sky Round ceiling light. VSKY-RD.\*

Page 158 of the ET2 Lighting 2007 catalog: Vision flushmount ceiling light #E22011-09.\*

Page 275 of the Eurofase 2009 Illuminations catalog: Merak 3-light Flushmount #14676-017.\*

\* cited by examiner

*Primary Examiner* — Clare E Heflin

(74) *Attorney, Agent, or Firm* — Nixon & Vanderhye, P.C.

(57) **CLAIM**

The ornamental design for "ceiling light," as shown and described.

**DESCRIPTION**

FIG. 1 is a lower front perspective view of a ceiling light in accordance with our new design;

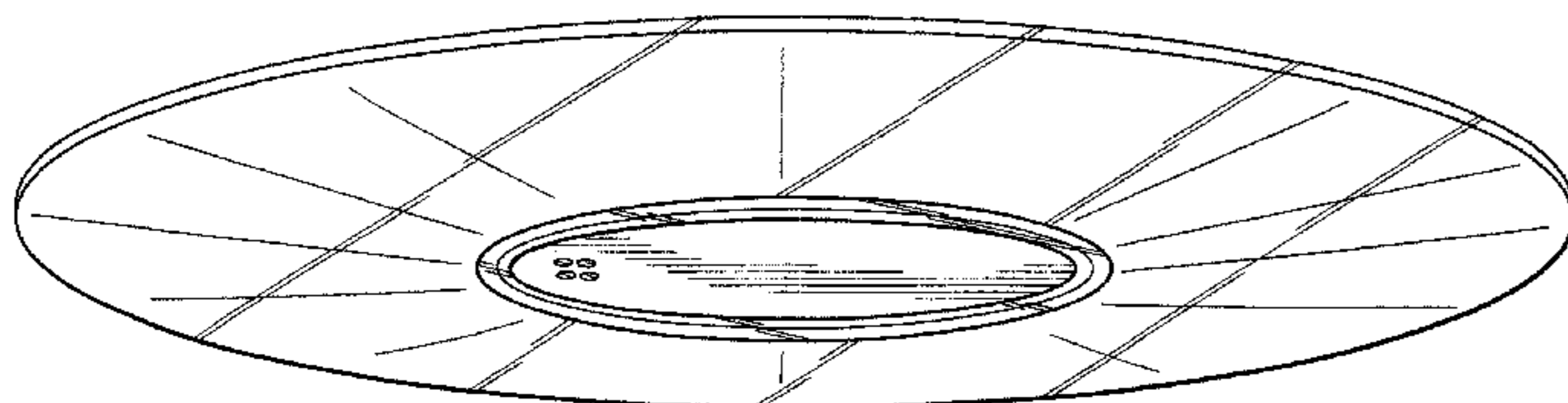
FIG. 2 is a front elevation view thereof, the rear elevation view and side elevation views being identical thereto;

FIG. 3 is a top plan view thereof; and,

FIG. 4 is a bottom plan view thereof.

The subject matter shown in broken lines in FIG. 3 forms no part of the claimed design.

**1 Claim, 4 Drawing Sheets**



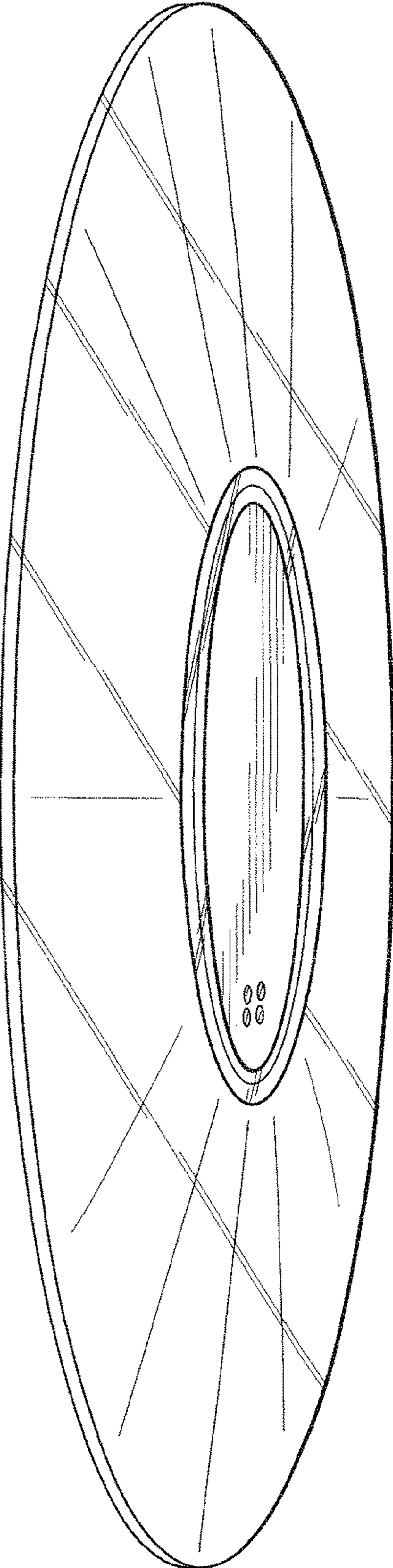


FIG. 1

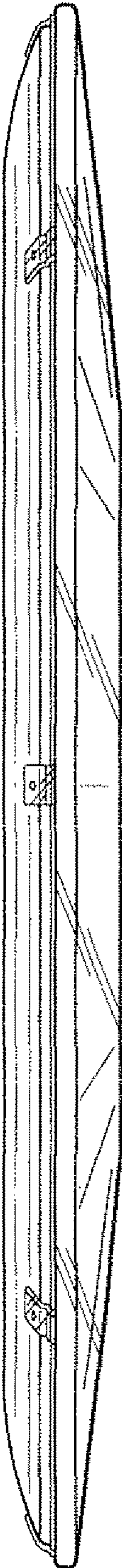
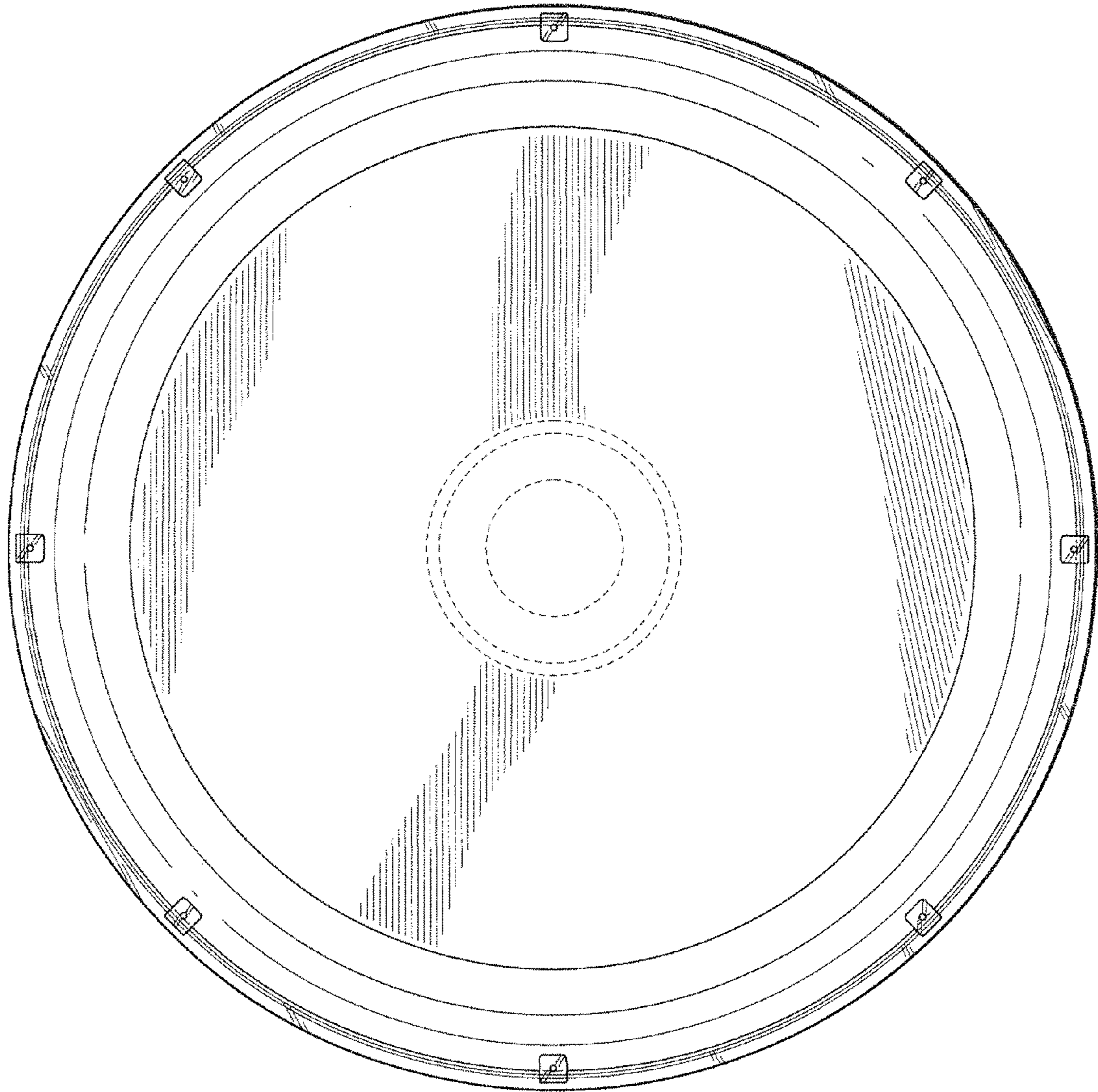


FIG. 2



FIG. 3



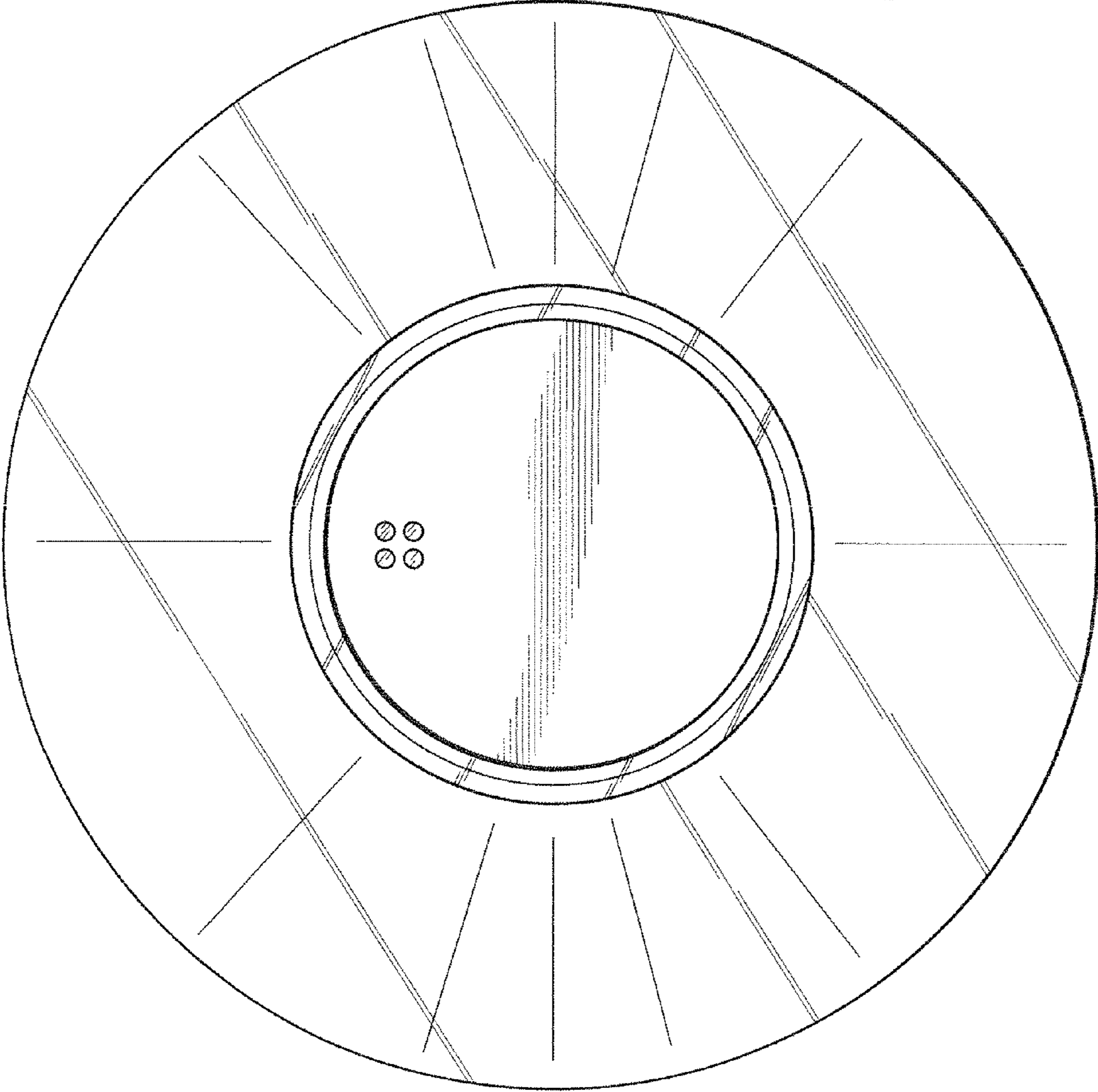


FIG. 4