



US00D640821S

(12) **United States Design Patent**  
**Kocks**

(10) **Patent No.:** **US D640,821 S**

(45) **Date of Patent:** **\*\* Jun. 28, 2011**

(54) **SQUARE LAMP**

(75) Inventor: **Markus Kocks**, Freiburg (DE)

(73) Assignee: **RIDI—Leuchten GmbH**, Jungingen (DE)

(\*\*) Term: **14 Years**

(21) Appl. No.: **29/366,175**

(22) Filed: **Jul. 21, 2010**

(51) **LOC (9) Cl.** ..... **26-03**

(52) **U.S. Cl.** ..... **D26/89**

(58) **Field of Classification Search** ..... D26/72,  
D26/85, 89, 119, 128; 362/147, 350, 404–408,  
362/453–456

See application file for complete search history.

(56) **References Cited**

**U.S. PATENT DOCUMENTS**

D308,423 S *	6/1990	Galipeau et al. ....	D26/67
D312,842 S *	12/1990	Younger et al. ....	D20/42
D376,214 S *	12/1996	Pinchuk .....	D26/26
D386,801 S *	11/1997	Orgovan .....	D26/31
D403,442 S *	12/1998	Joss .....	D26/26
D477,104 S *	7/2003	Wang .....	D26/72
D514,732 S *	2/2006	Benensohn .....	D26/89
D558,382 S *	12/2007	Cesaro .....	D26/86
D595,447 S *	6/2009	Purcell .....	D26/85
D629,146 S *	12/2010	van den Akker .....	D26/89

**OTHER PUBLICATIONS**

Zelkova Square Flushmount models 14780-011 and 14781-018 on p. 272; and Zelkova Rectangular Flushmount models 14783-012 and 14782-015 shown on p. 273. Both from the Eurofase 2009 Illuminations Catalog.\*

Sleek Halogen Flushmount model F-1SLK3-25 on p. 280 of the Eurofase 2009 Illuminations Catalog.\*

Bent Lite Vanity Bathbar model MH-0100 shown on p. 321 of the Eurofase 2009 Illuminations Catalog.\*

Contempra Flushmount—all models shown on p. 186 of the ET2 Lighting 2007 Catalog.\*

\* cited by examiner

*Primary Examiner* — Clare E Heflin

(74) *Attorney, Agent, or Firm* — Gudrun E. Hockett

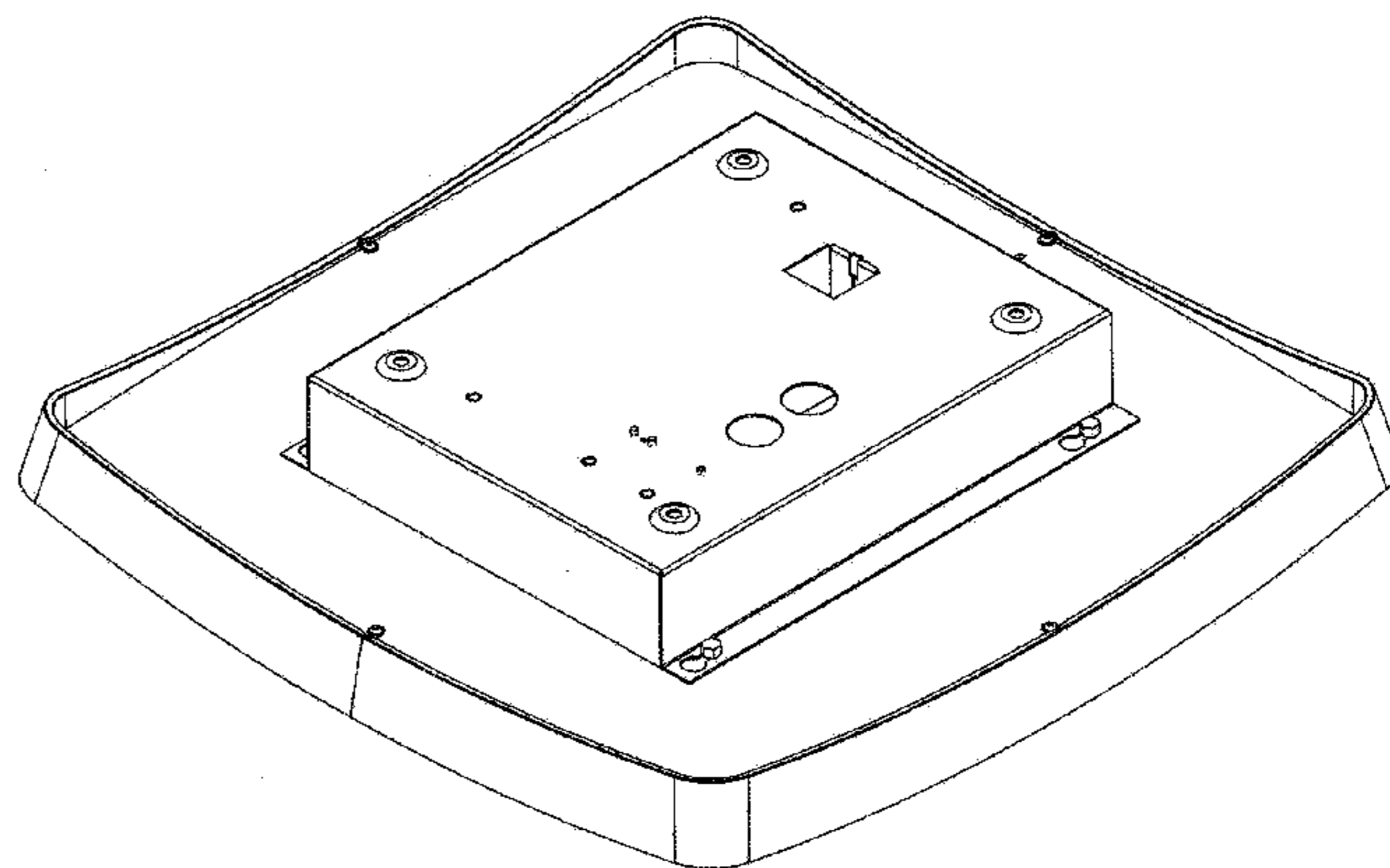
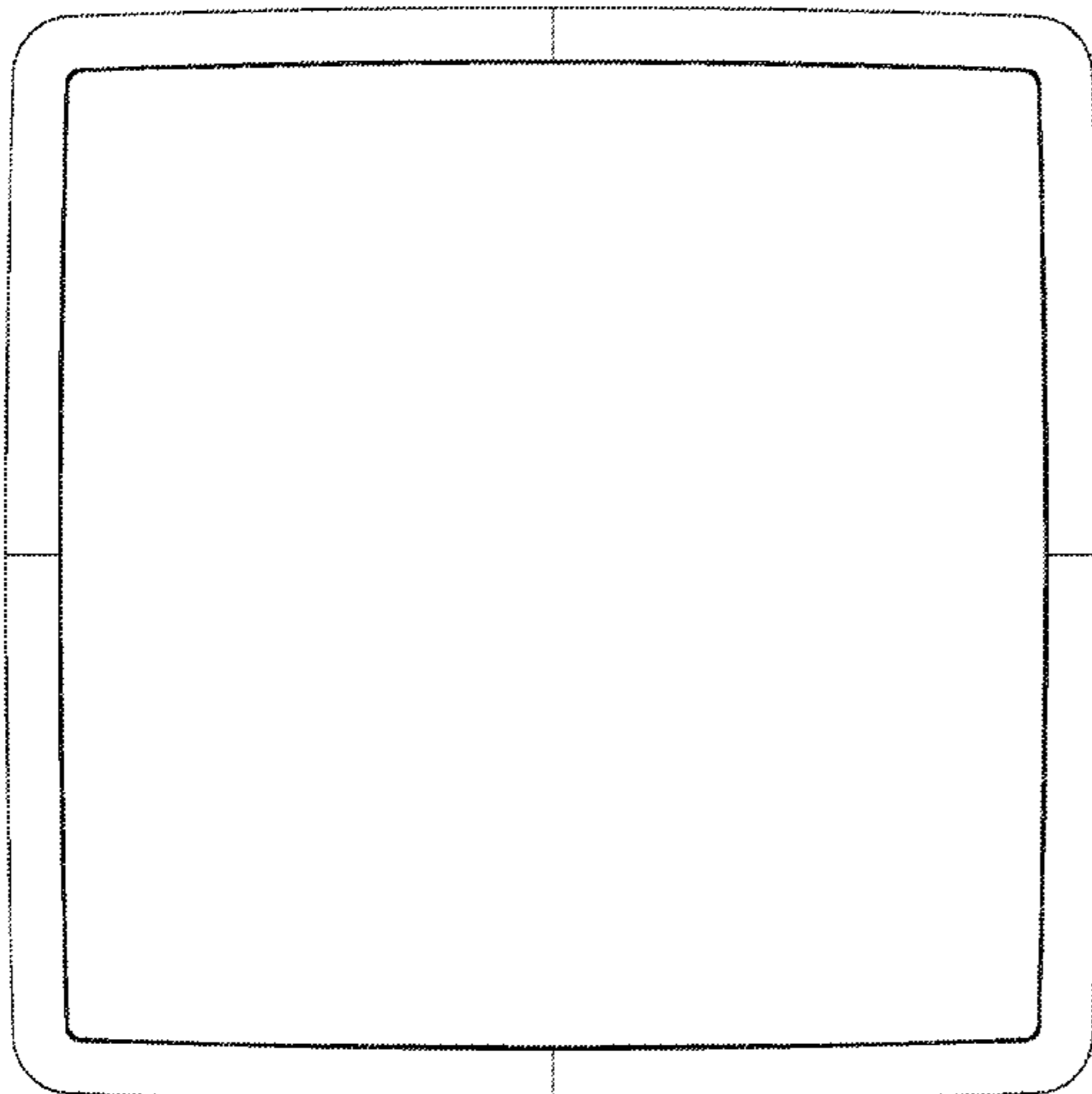
(57) **CLAIM**

The ornamental design for a square lamp, as shown and described.

**DESCRIPTION**

FIG. 1 is a side view of my square lamp;  
FIG. 2 is a bottom plan view of my square lamp;  
FIG. 3 is another side view of my square lamp;  
FIG. 4 is a top plan view of my square lamp;  
FIG. 5 is an end view of my square lamp;  
FIG. 6 is another end view of my square lamp; and,  
FIG. 7 is a perspective top view of my square lamp.

**1 Claim, 7 Drawing Sheets**



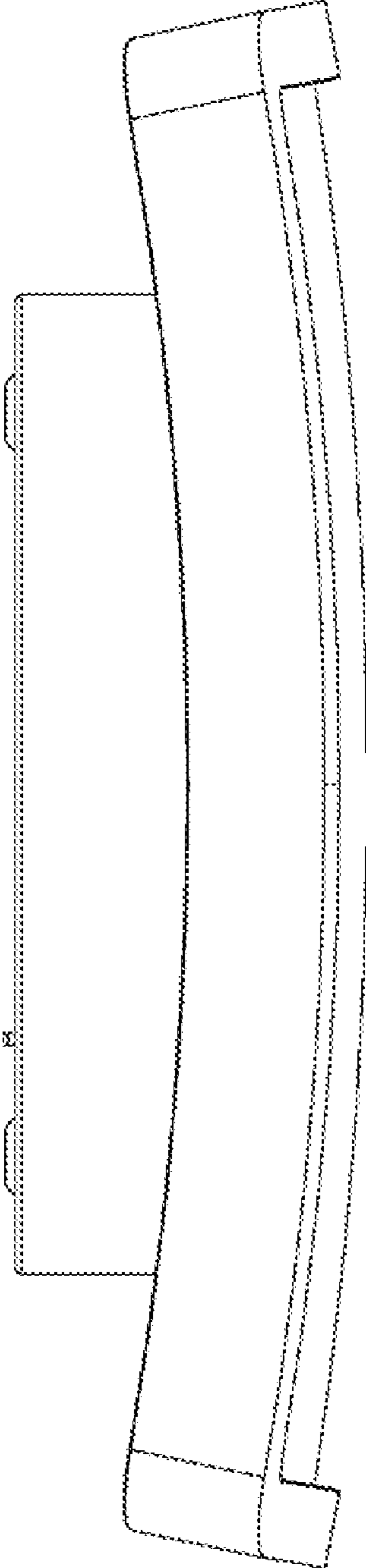


Fig. 1

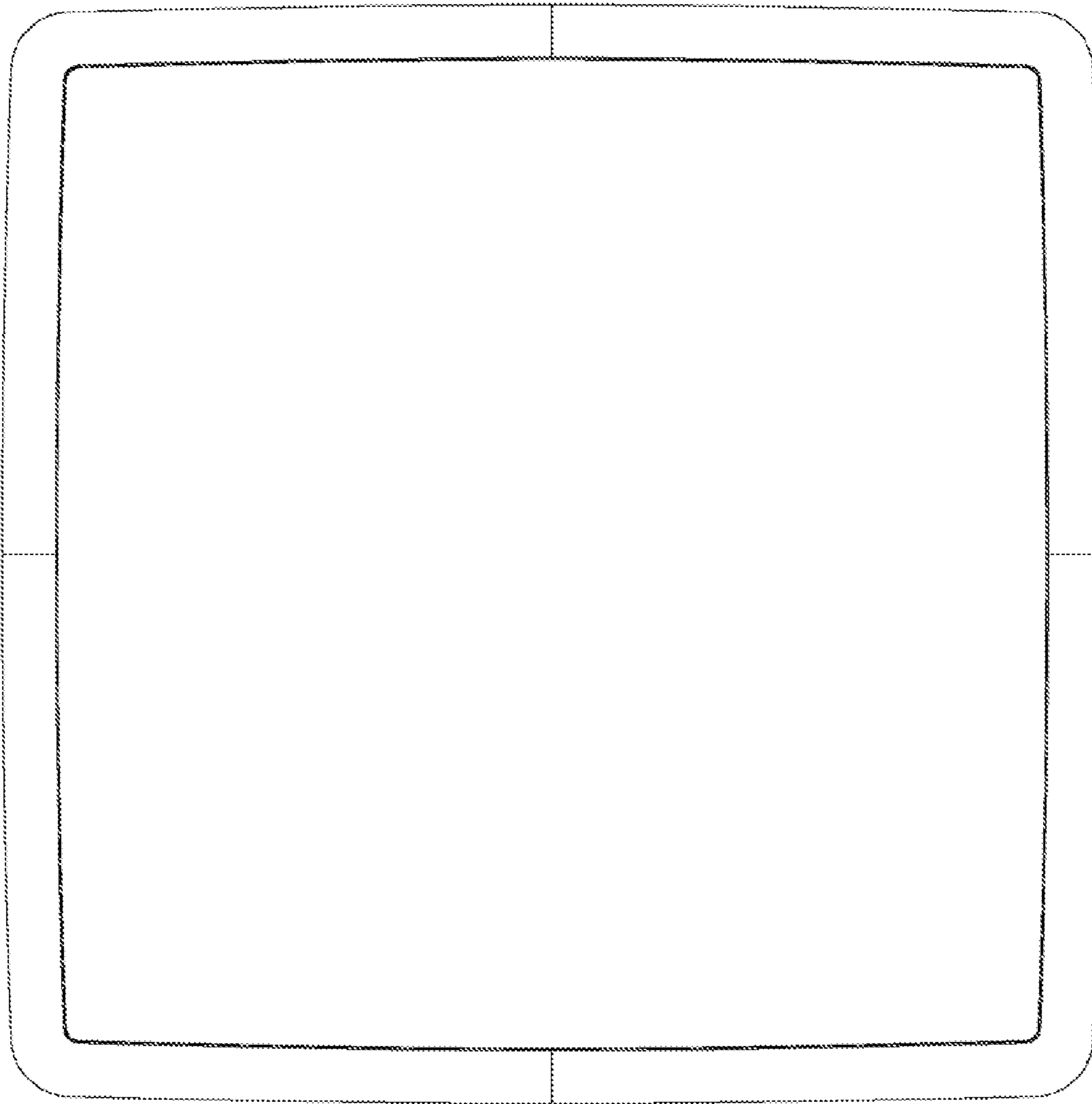


Fig. 2

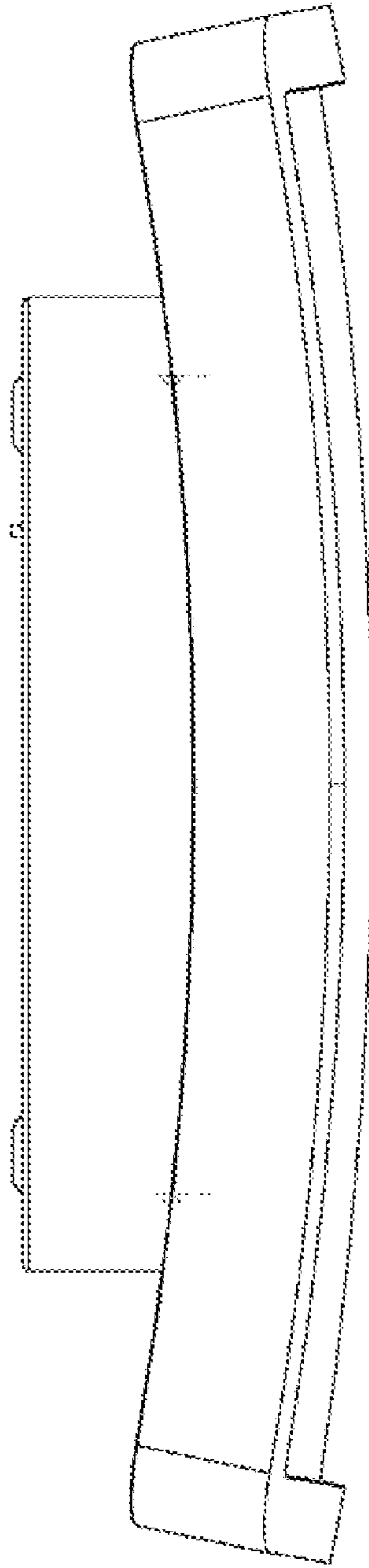


Fig. 3

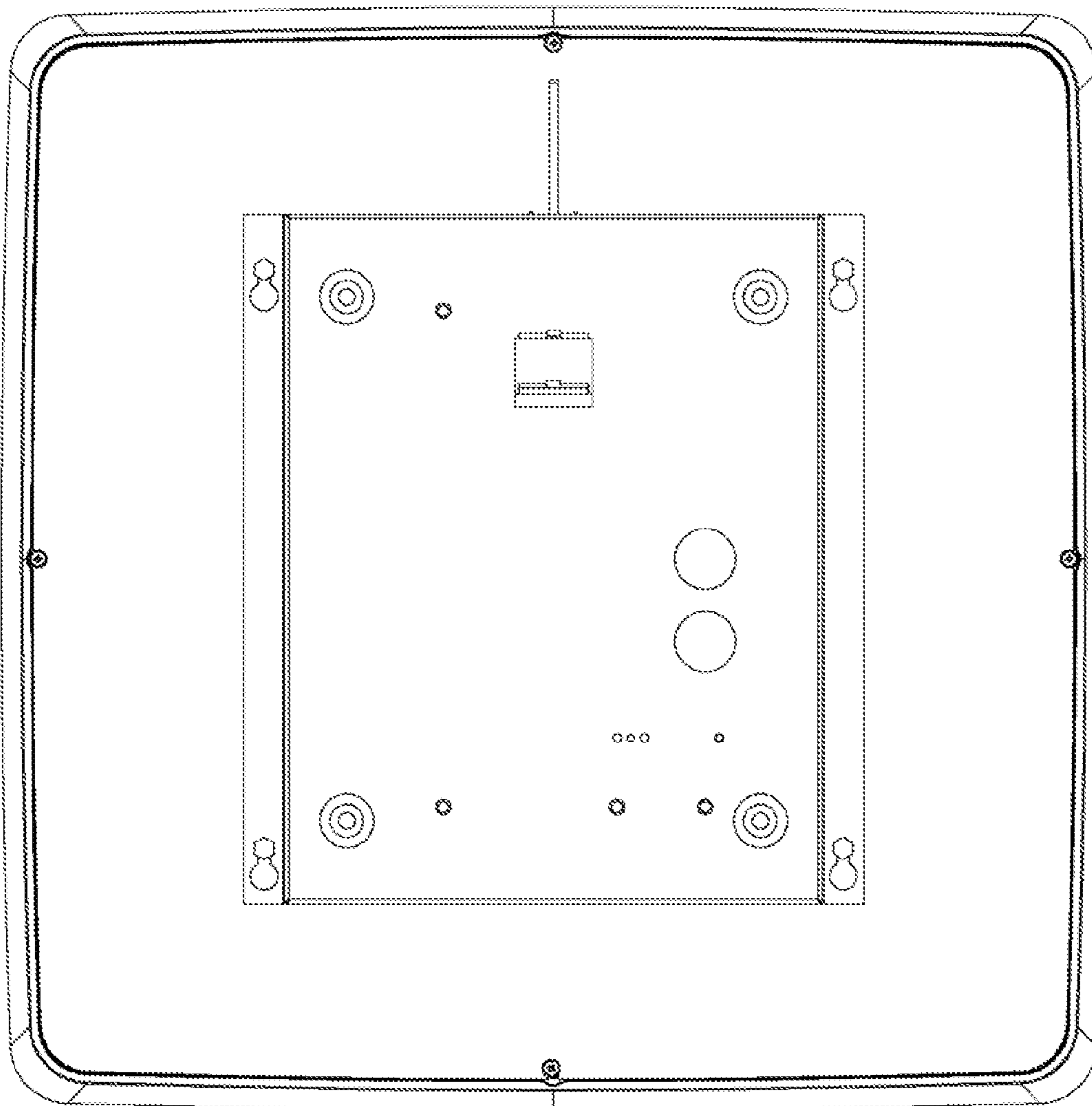


Fig. 4

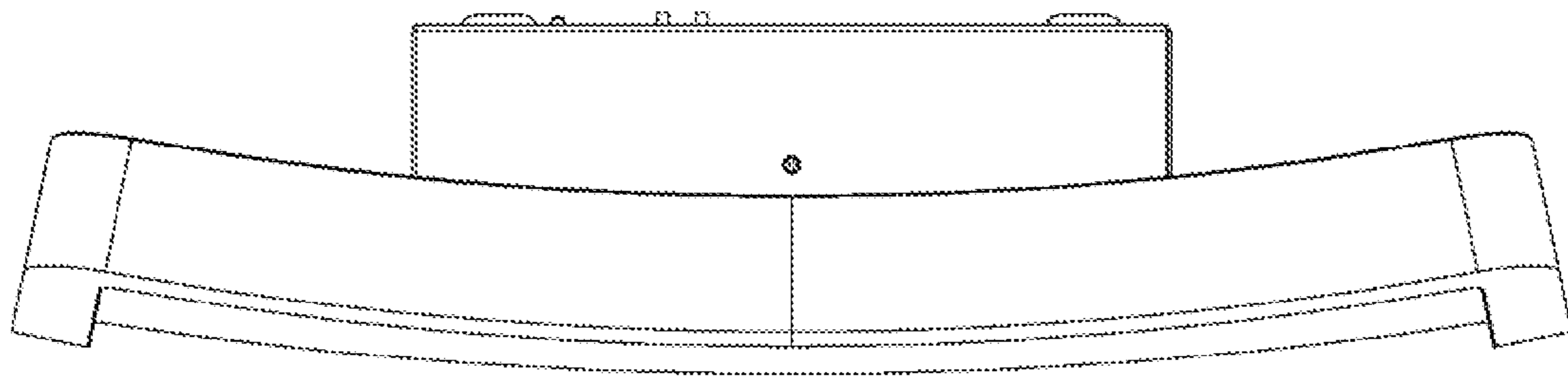


Fig. 5

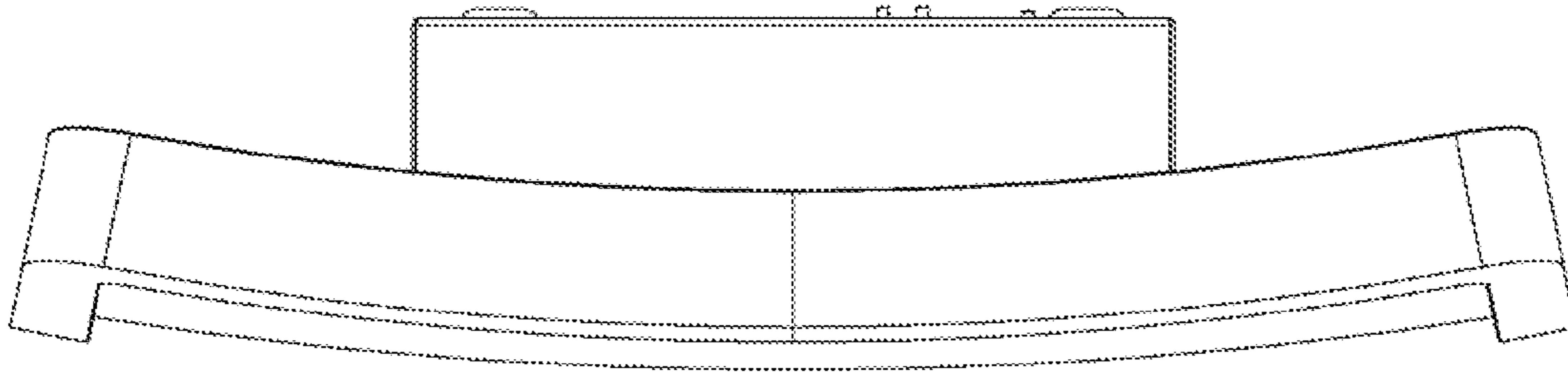


Fig. 6



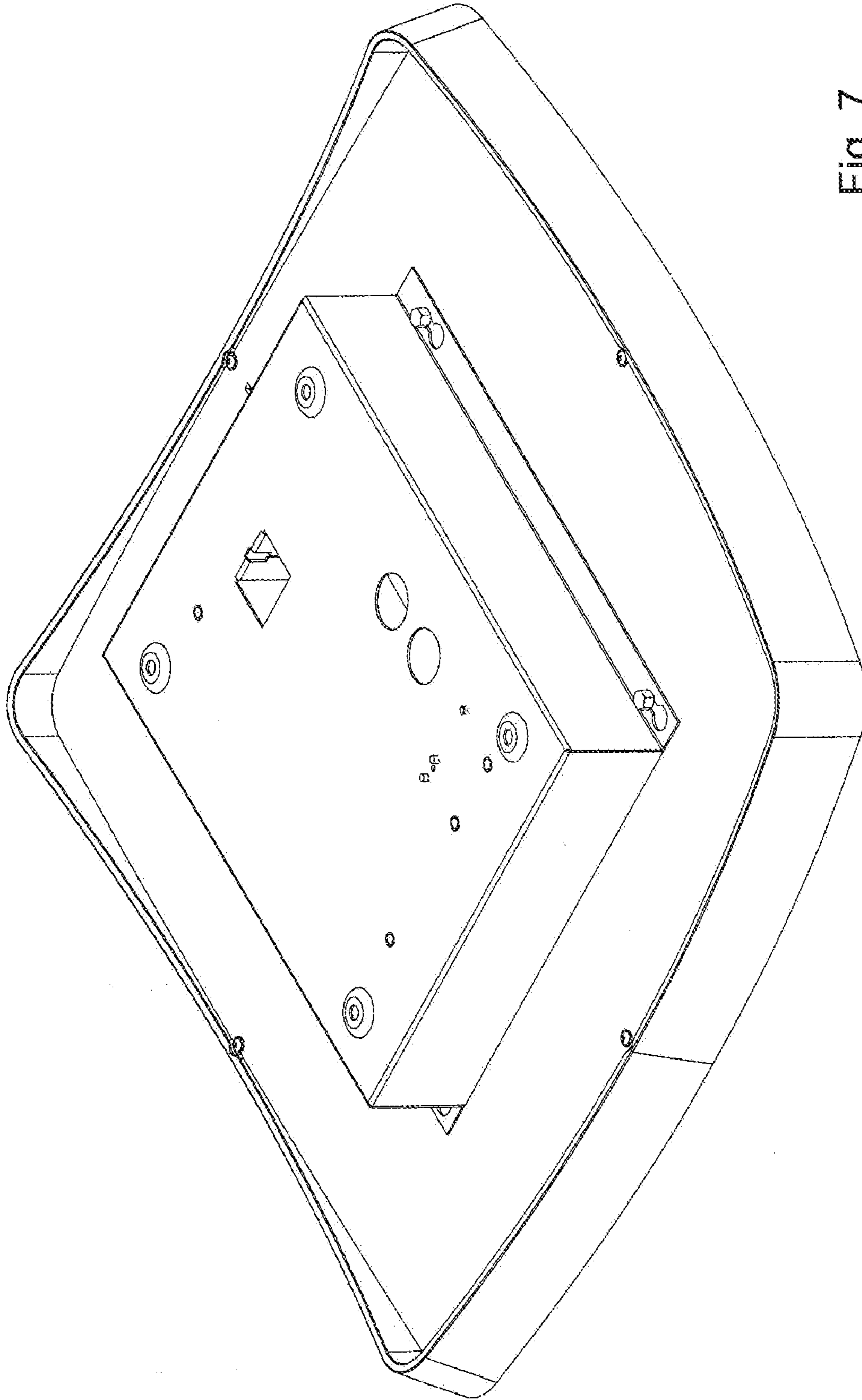


Fig. 7



UNITED STATES PATENT AND TRADEMARK OFFICE  
**CERTIFICATE OF CORRECTION**

PATENT NO. : D640,821 S  
APPLICATION NO. : 29/366175  
DATED : June 28, 2011  
INVENTOR(S) : Markus Kocks

Page 1 of 1

It is certified that error appears in the above-identified patent and that said Letters Patent is hereby corrected as shown below:

ON THE TITLE PAGE:

Insert Item --(30) Foreign Application Priority Data  
Jan. 21, 2010 (DE) 40 2010 000 327--

Signed and Sealed this  
Seventh Day of August, 2012

A handwritten signature in black ink that reads "David J. Kappos". The signature is written in a cursive, slightly slanted style.

David J. Kappos  
*Director of the United States Patent and Trademark Office*