



US00D640819S

(12) **United States Design Patent**  
**Pan**

(10) **Patent No.:** **US D640,819 S**  
(45) **Date of Patent:** **\*\* Jun. 28, 2011**

(54) **LIGHT EMITTING DIODE**

(75) Inventor: **I-Hsin Pan**, Banqiao (TW)

(73) Assignee: **Ledion Lighting Inc.**, Taipei (TW)

(\*\*) Term: **14 Years**

(21) Appl. No.: **29/356,201**

(22) Filed: **Feb. 22, 2010**

(30) **Foreign Application Priority Data**

Nov. 11, 2009 (TW) ..... 98305367

(51) **LOC (9) Cl.** ..... **26-05**

(52) **U.S. Cl.** ..... **D26/74**

(58) **Field of Classification Search** ..... D26/74,  
D26/72, 24, 36, 59, 118, 133, 134; 362/145,  
362/147, 148, 150, 151, 153, 218, 217.06,  
362/217.07, 294, 296.01, 296.06, 296.07,  
362/296.08, 311.07, 311.09, 364, 365, 373;  
D13/179

See application file for complete search history.

(56) **References Cited**

**U.S. PATENT DOCUMENTS**

D326,537 S \* 5/1992 Gattari ..... D26/74  
D469,916 S \* 2/2003 Caferro et al. .... D26/123  
D544,110 S 6/2007 Hooker et al.  
D573,288 S \* 7/2008 Xu et al. .... D26/67  
D573,294 S \* 7/2008 Chan et al. .... D26/74

D573,297 S \* 7/2008 Beadle ..... D26/118  
D582,579 S \* 12/2008 Tsai et al. .... D26/2  
D595,005 S 6/2009 Chou  
D595,452 S \* 6/2009 Khang et al. .... D26/138  
D606,696 S \* 12/2009 Chen et al. .... D26/74  
D611,650 S \* 3/2010 Broekhoff ..... D26/134  
7,712,927 B2 \* 5/2010 Shuai et al. .... 362/294  
D621,970 S \* 8/2010 Yamamoto et al. .... D26/2

**FOREIGN PATENT DOCUMENTS**

JP D1317340 12/2007  
JP D1318885 1/2008  
JP D1367049 7/2009  
TW D119313 10/2007  
TW D120142 11/2007

\* cited by examiner

*Primary Examiner* — Angela Lee

(74) *Attorney, Agent, or Firm* — Muncy, Geissler, Olds & Lowe, PLLC

(57) **CLAIM**

The ornamental design for a light emitting diode, as shown.

**DESCRIPTION**

FIG. 1 is a perspective view of a light emitting diode showing my new design;

FIG. 2 is a front view thereof;

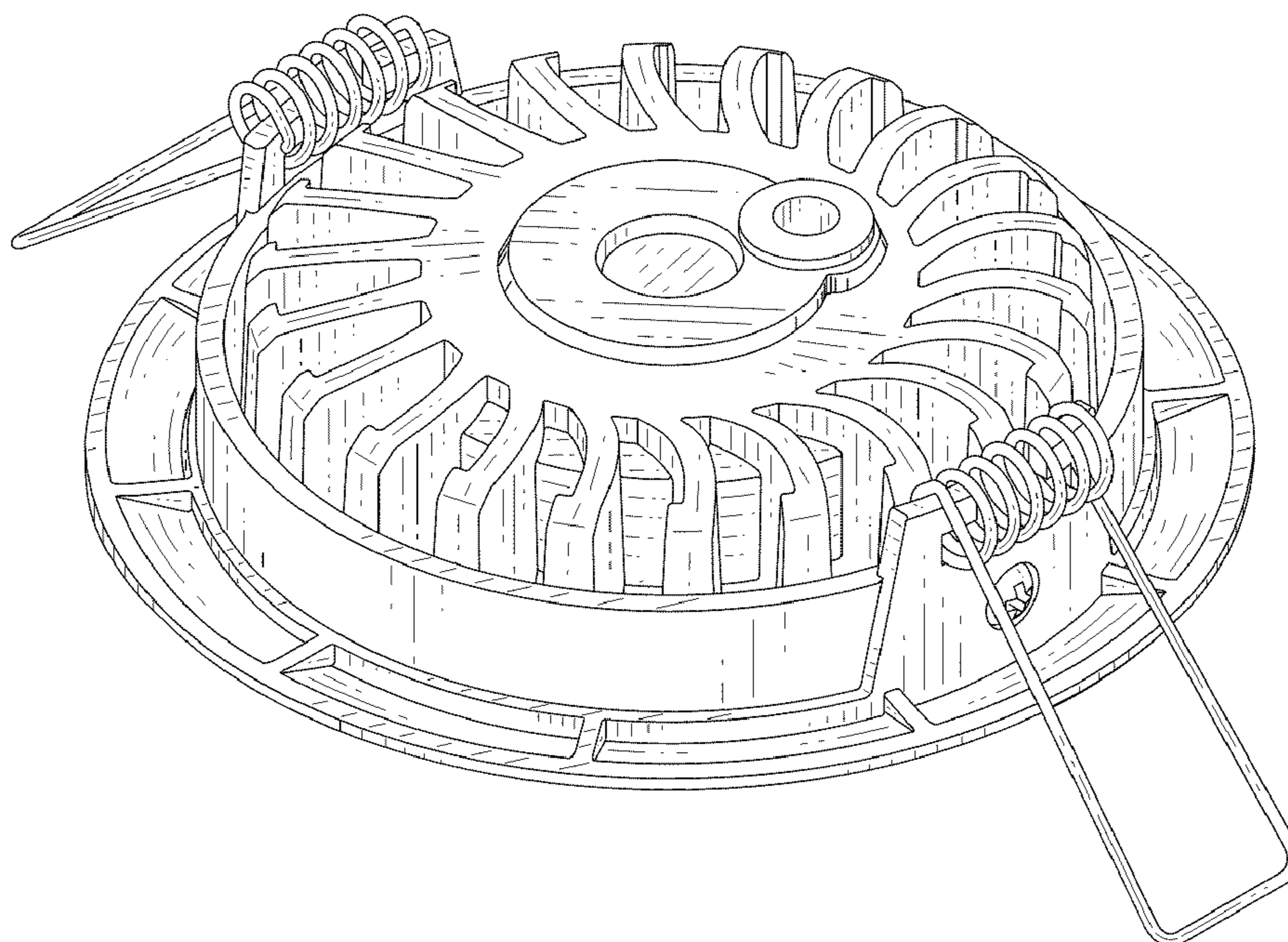
FIG. 3 is a rear view thereof;

FIG. 4 is a left side view thereof;

FIG. 5 is a right side view thereof; and,

FIG. 6 is a top view thereof.

**1 Claim, 4 Drawing Sheets**



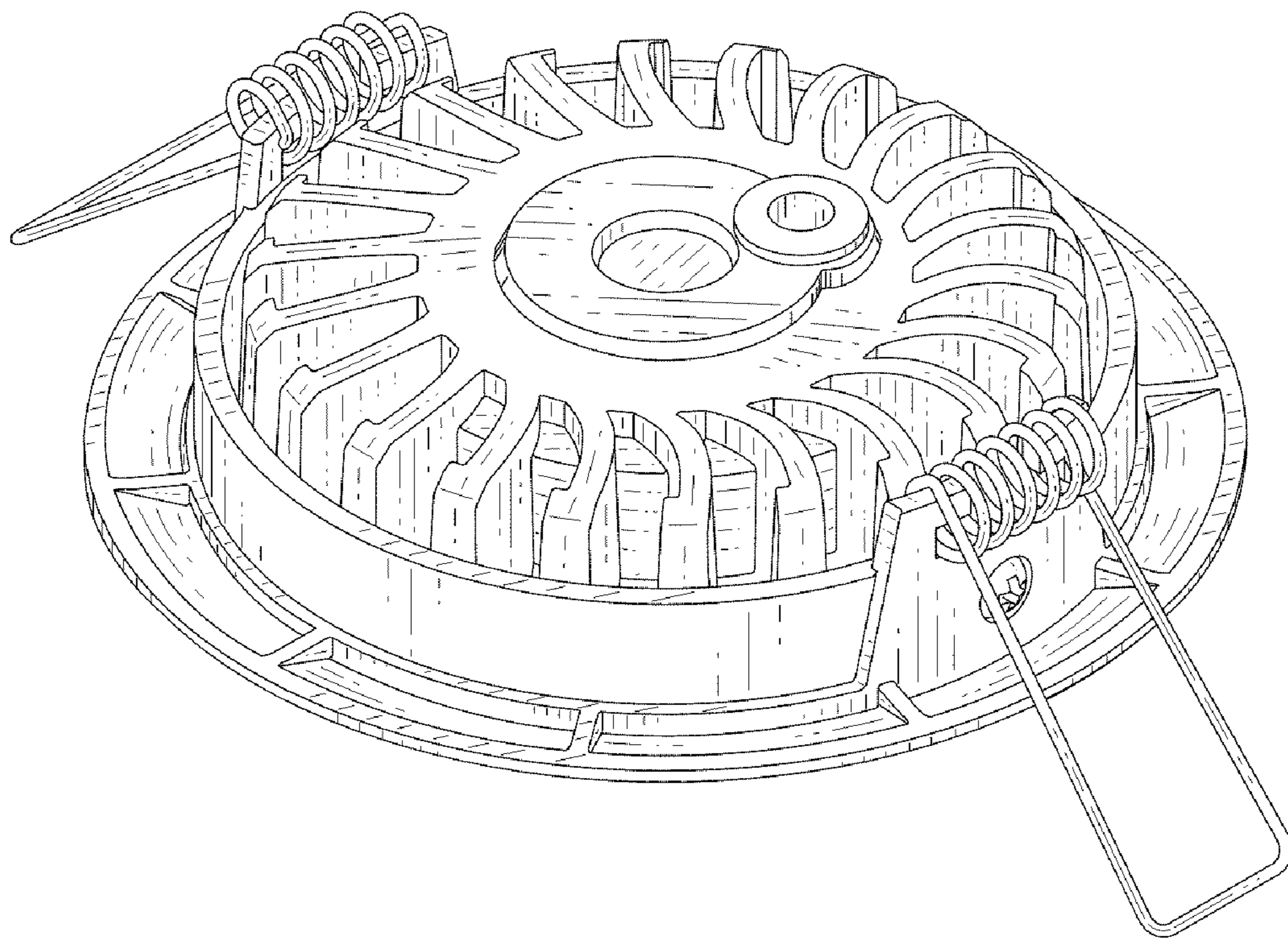


Fig. 1

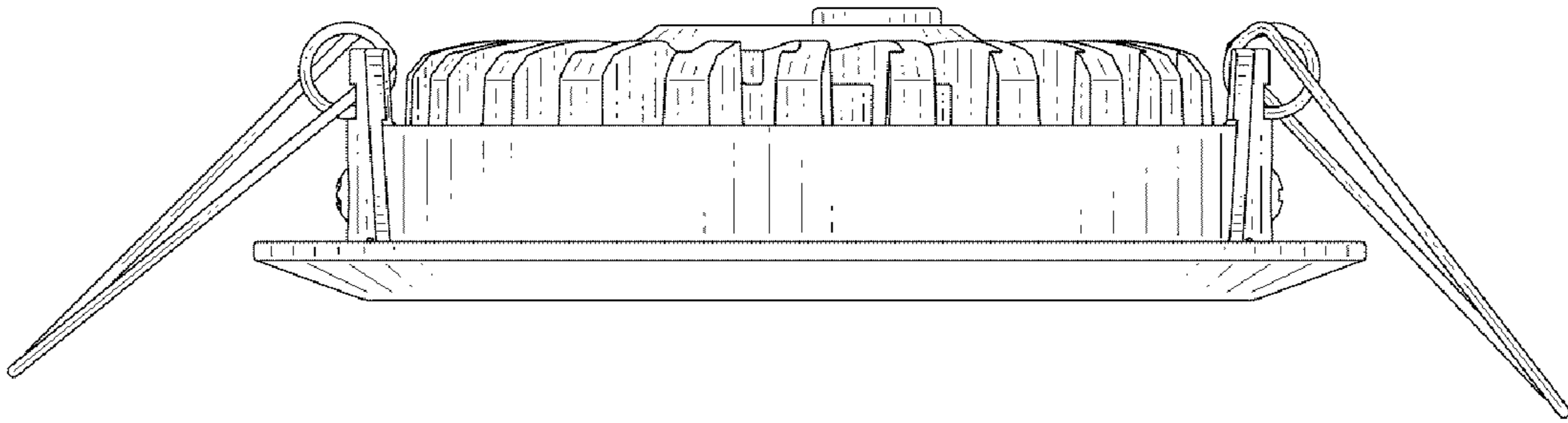


Fig. 2

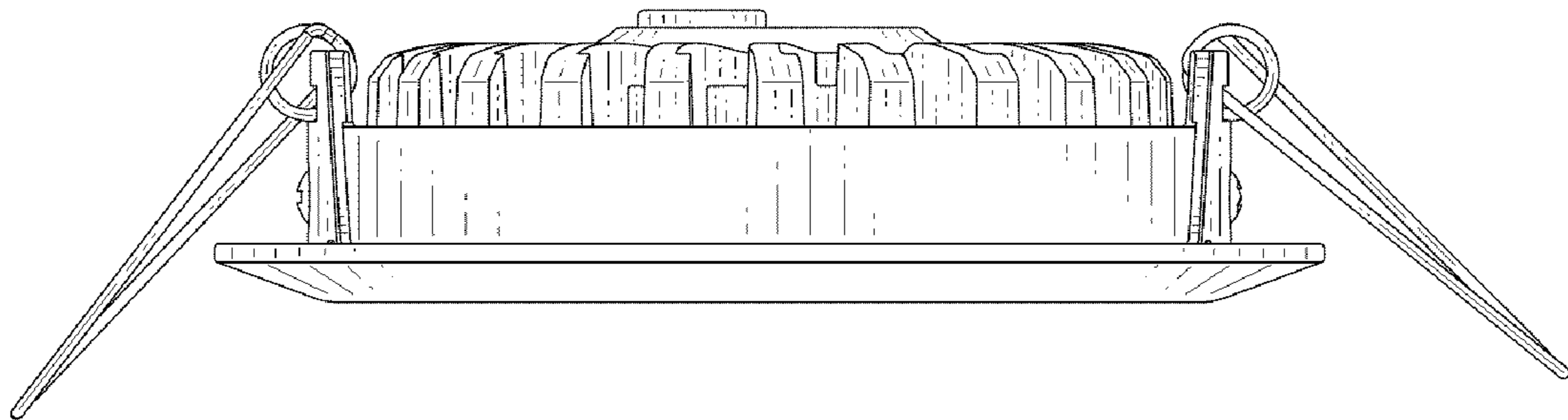


Fig. 3

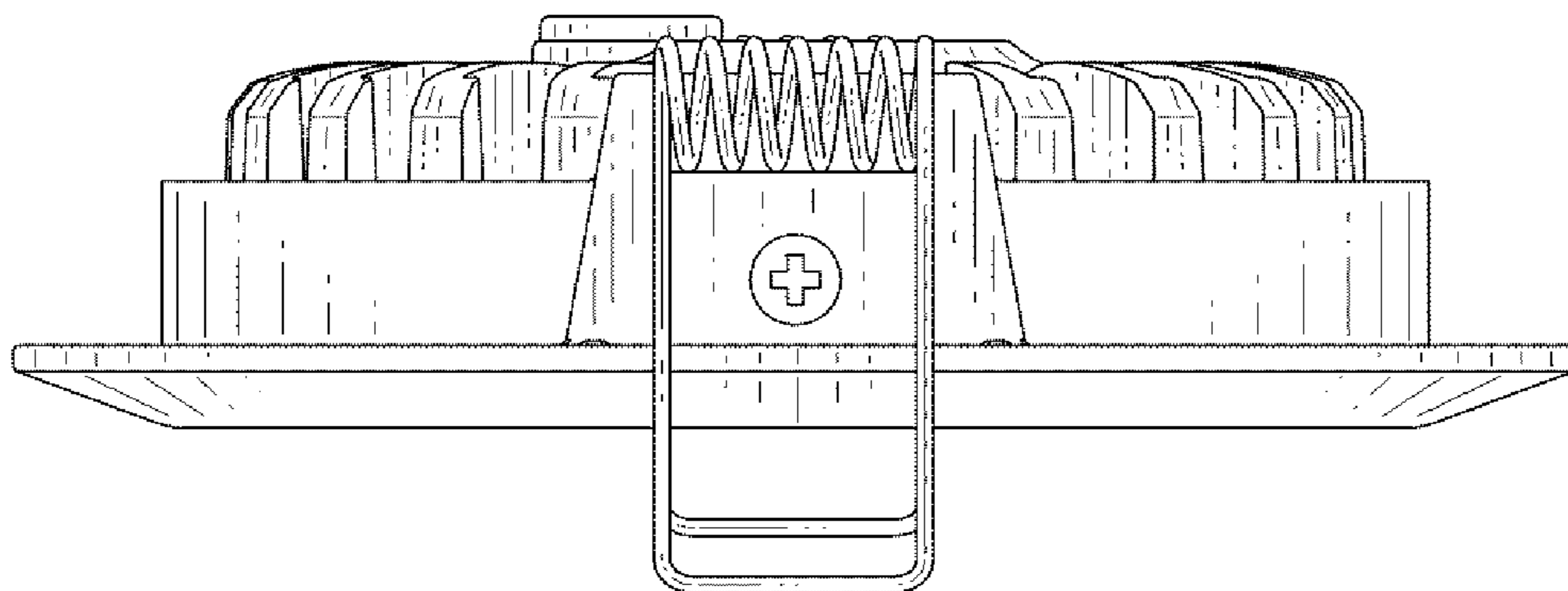


Fig. 4

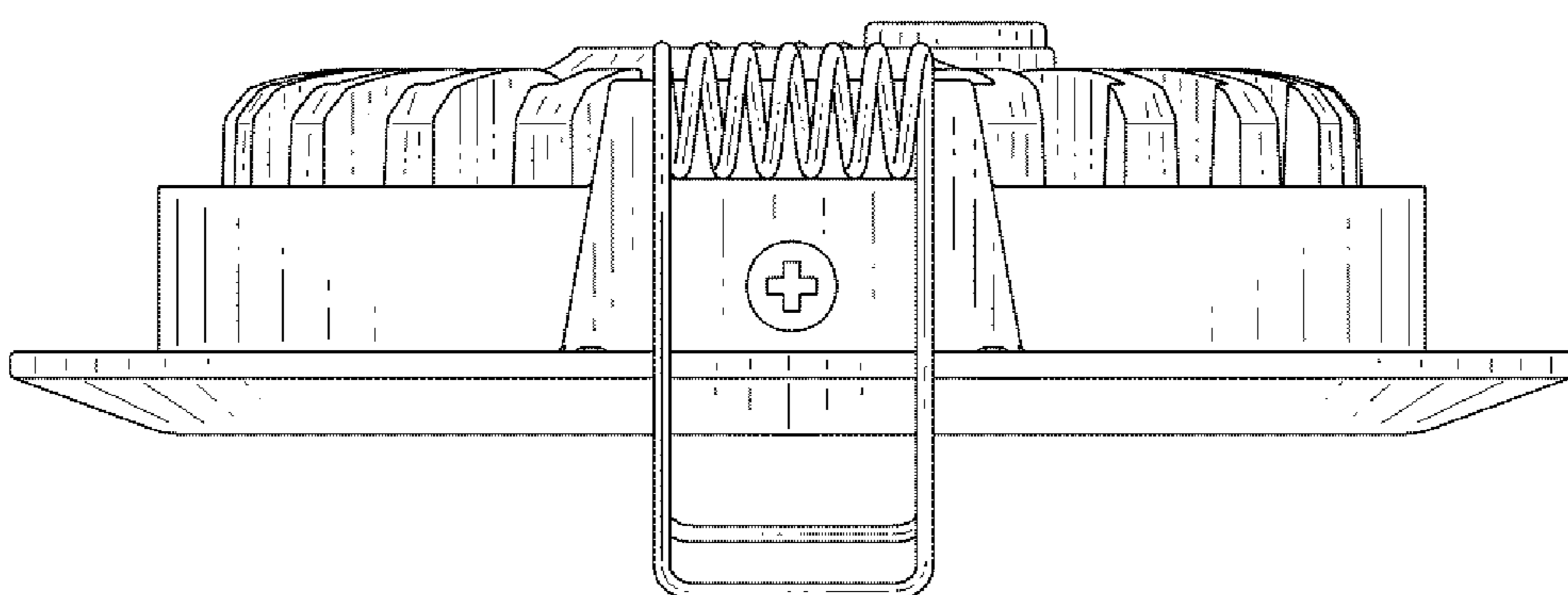


Fig. 5

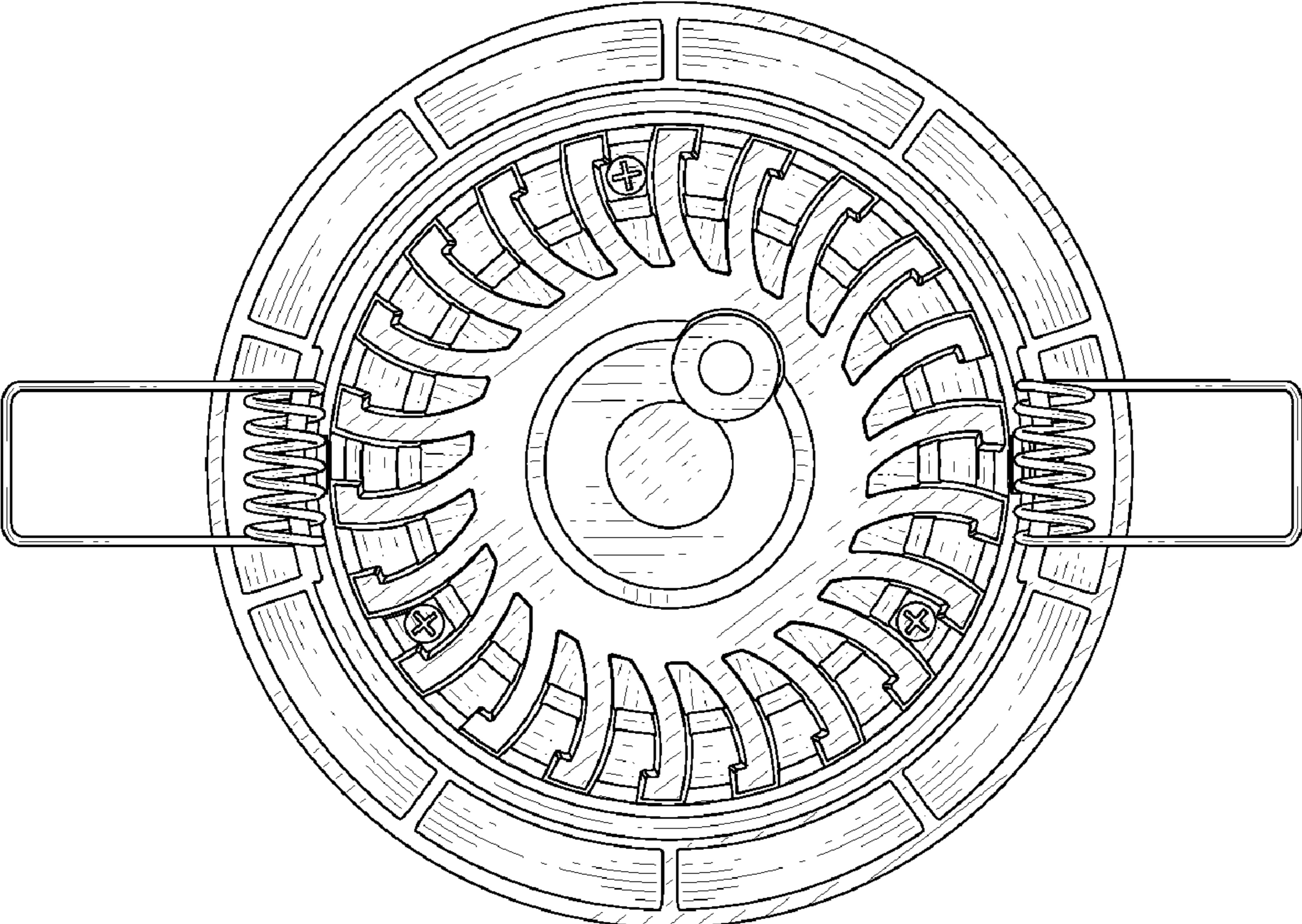


Fig. 6