



US00D640817S

(12) **United States Design Patent**
Salessi

(10) **Patent No.:** **US D640,817 S**
(45) **Date of Patent:** **** Jun. 28, 2011**

(54) **LED LAMP**

(76) Inventor: **Nader Salessi**, Laguna Niguel, CA (US)

(**) Term: **14 Years**

(21) Appl. No.: **29/370,496**

(22) Filed: **Jul. 26, 2010**

D614,336 S * 4/2010 Zheng et al. D26/71
7,744,258 B2 * 6/2010 Liu et al. 362/373
D632,418 S * 2/2011 Bisberg et al. D26/76

* cited by examiner

Primary Examiner — Susan M Lee

Assistant Examiner — Linda Brooks

(74) *Attorney, Agent, or Firm* — Kuta IP Law, LLC;
Christine M. Kuta

Related U.S. Application Data

(63) Continuation-in-part of application No. 12/592,563,
filed on Nov. 27, 2009.

(51) **LOC (9) Cl.** **26-05**

(52) **U.S. Cl.** **D26/63**

(58) **Field of Classification Search** D26/60–66,
D26/72–92; 362/145, 147, 211, 213, 220,
362/217.02, 217.1, 217.11–217.17, 640,
362/227, 232, 235–241, 249.01–249.09,
362/249.1, 249.11, 264, 268–275, 277–285,
362/287, 289, 290, 294, 311.02, 368, 370,
362/373, 404, 418, 419, 427, 432, 449

See application file for complete search history.

(56) **References Cited**

U.S. PATENT DOCUMENTS

D580,577 S * 11/2008 Wang et al. D26/63
D593,697 S * 6/2009 Liu et al. D26/74

(57) **CLAIM**

The ornamental design for an LED lamp, as shown.

DESCRIPTION

FIG. 1 is a bottom perspective view of an LED lamp showing
my new design;

FIG. 2 is a bottom elevational view thereof;

FIG. 3 is a right side view thereof, the left side being a mirror
image;

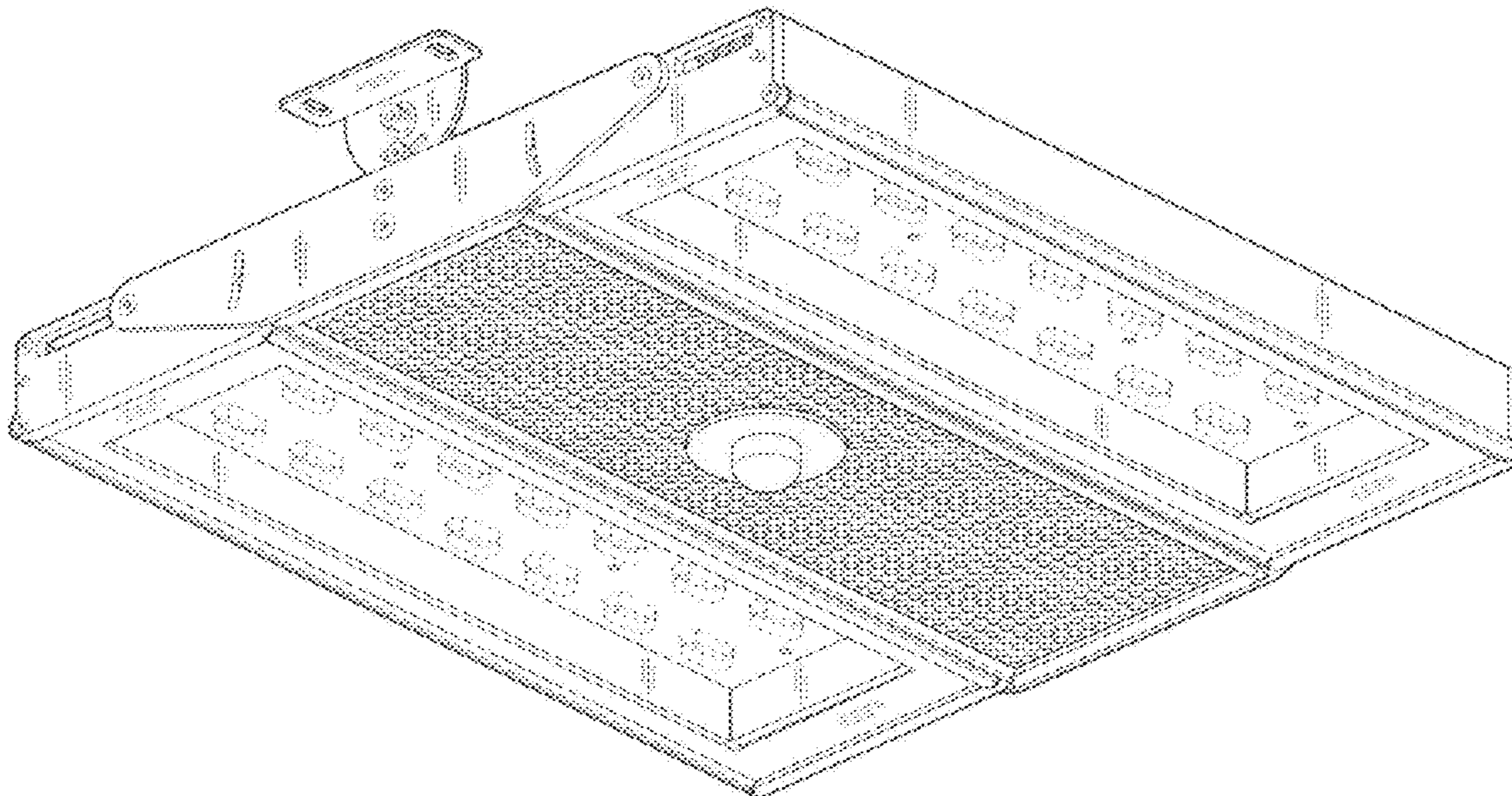
FIG. 4 is a top view thereof;

FIG. 5 is a front view thereof, the back being a mirror image;
and,

FIG. 6 is a top perspective view thereof.

The broken lines showing LEDs form no part of the claimed
design.

1 Claim, 4 Drawing Sheets



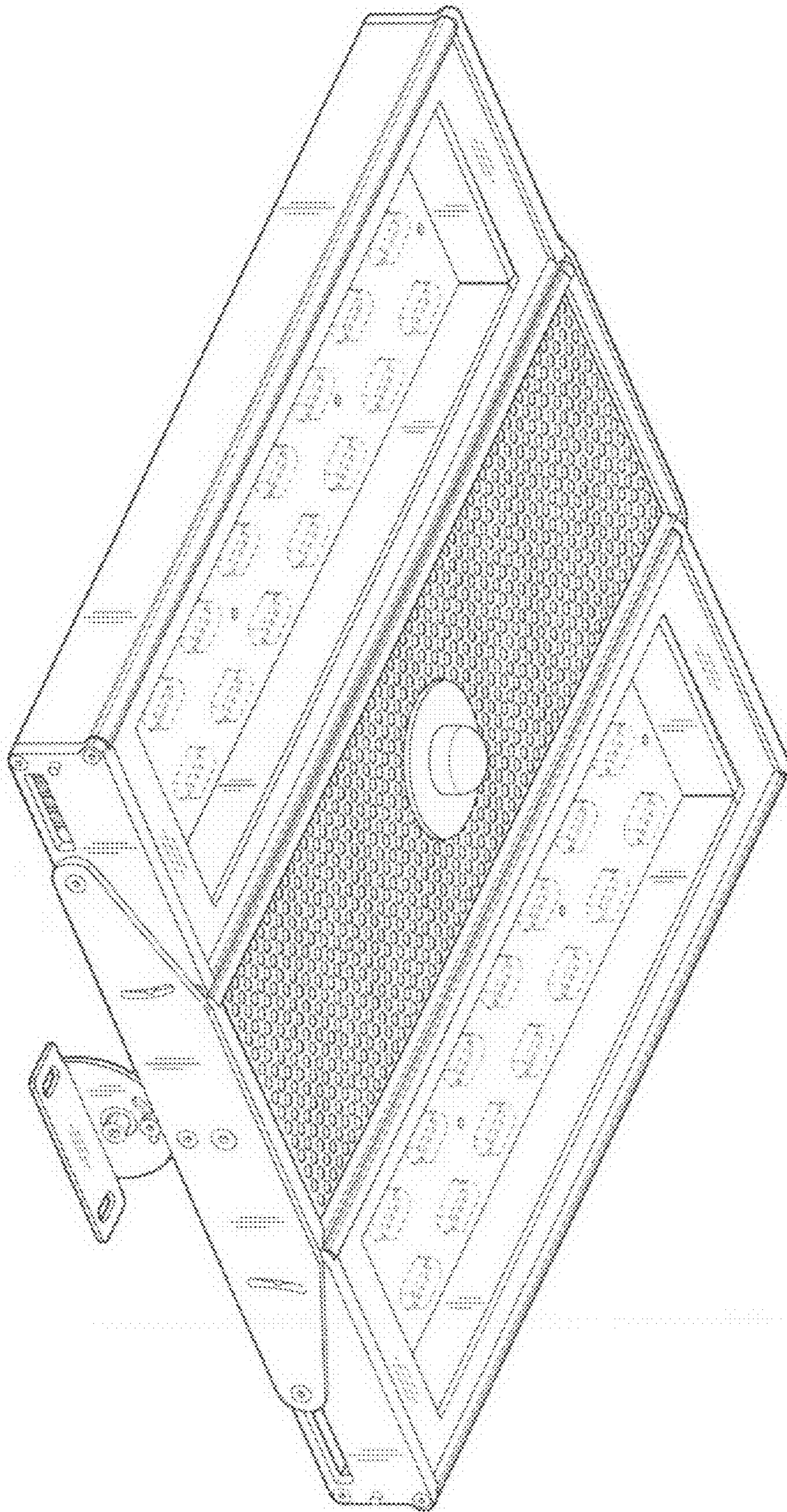


Fig. 1

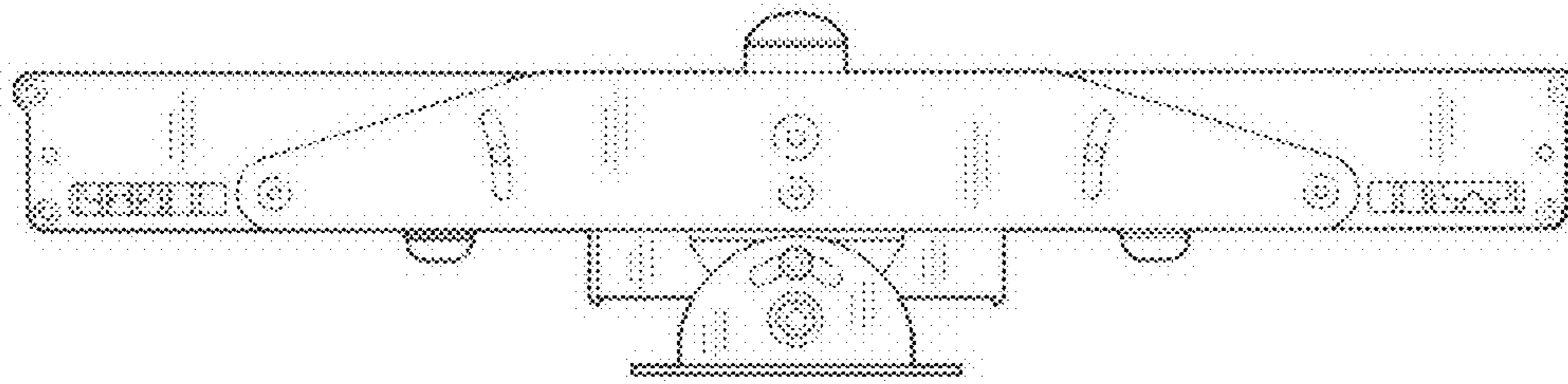


Fig. 3

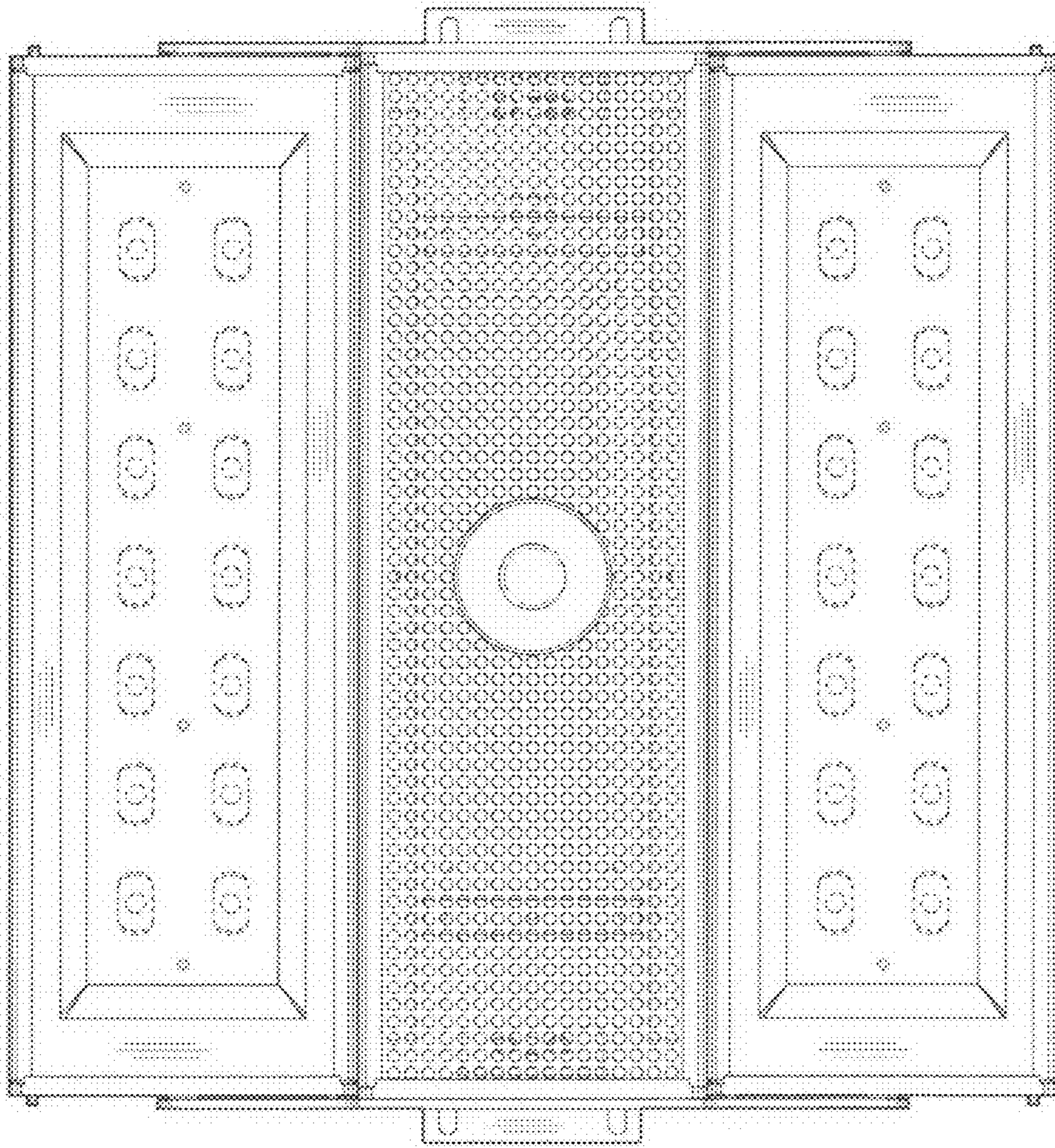


Fig. 2

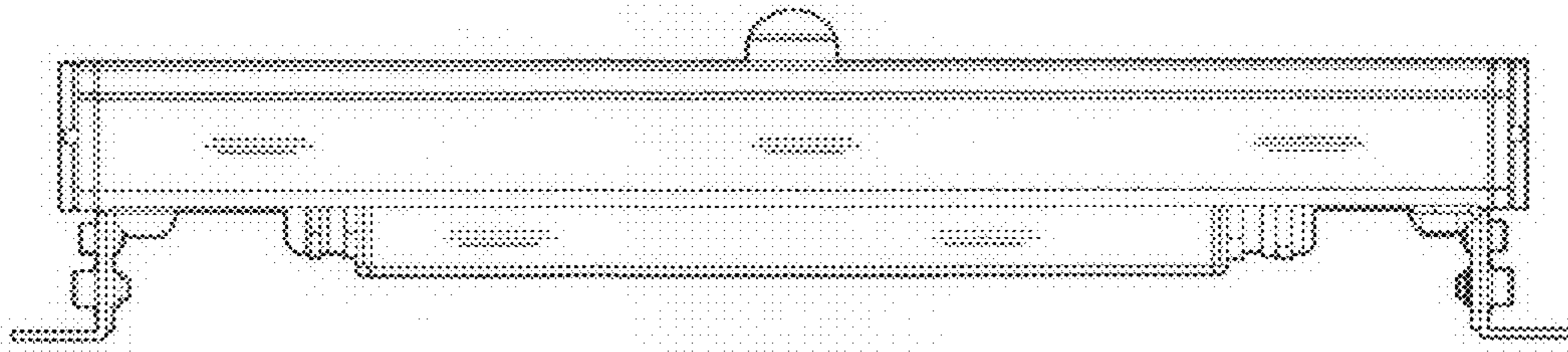


Fig. 5

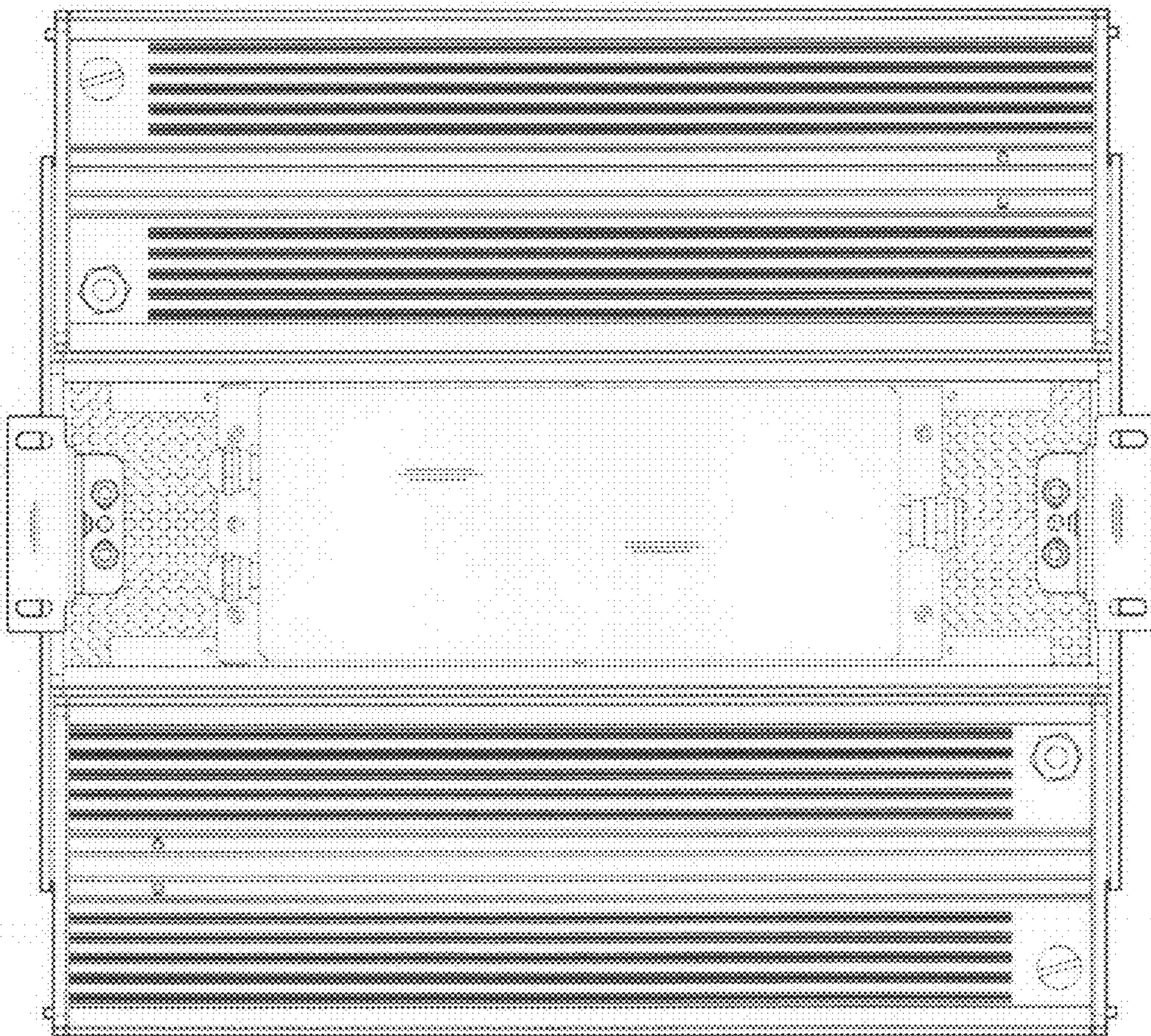


Fig. 4

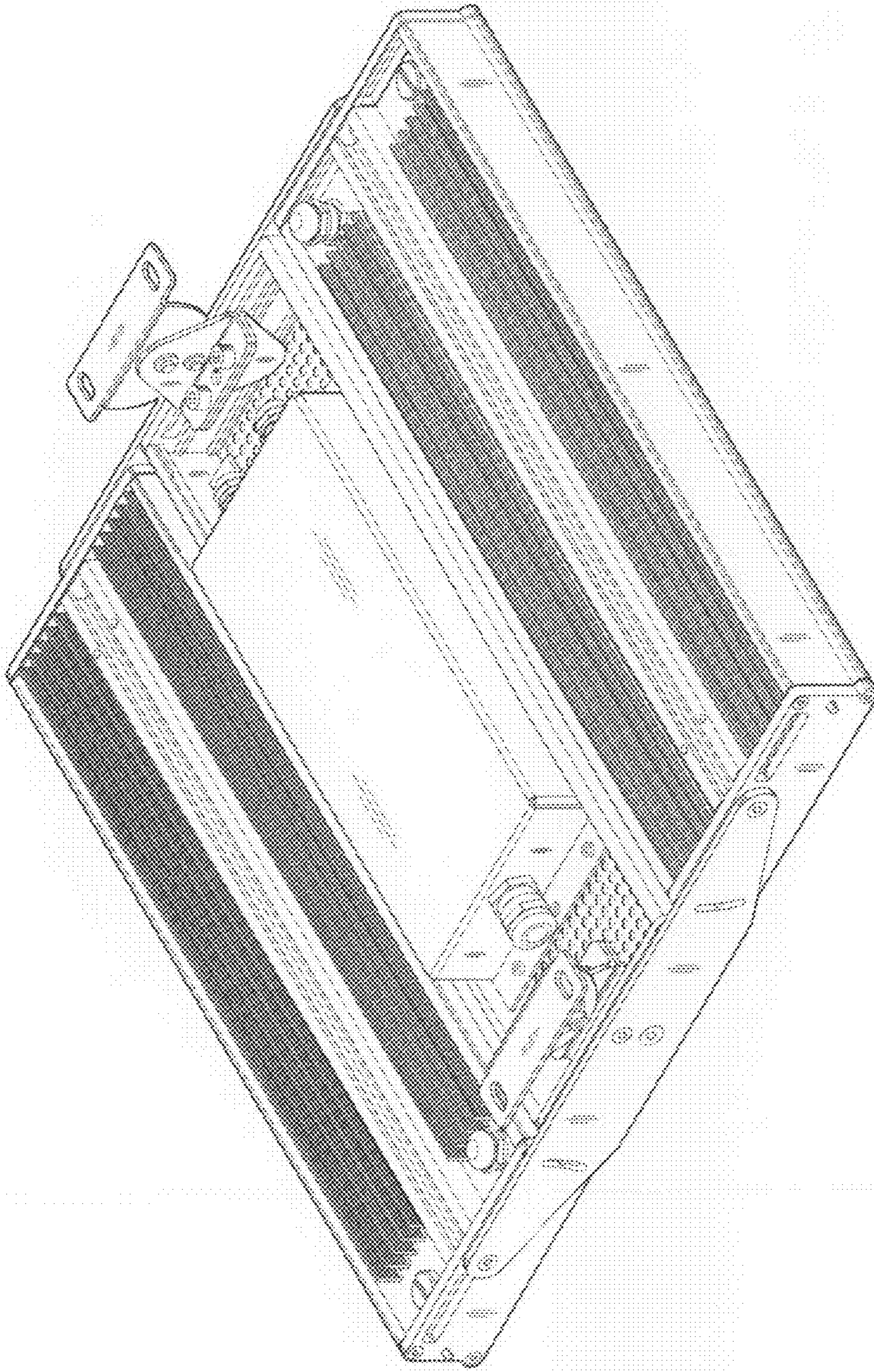


Fig. 6