

US00D640816S

(12) **United States Design Patent**
You

(10) **Patent No.:** **US D640,816 S**
(45) **Date of Patent:** **** Jun. 28, 2011**

(54) **SPOTLIGHT**

(75) Inventor: **Tae Woo You**, Songpa-gu (KR)
(73) Assignee: **Dongmyung Lighting.Co., Ltd.** (KR)
(**) Term: **14 Years**
(21) Appl. No.: **29/370,129**
(22) Filed: **Jun. 8, 2010**

(30) **Foreign Application Priority Data**

Apr. 13, 2010 (KR) 30-2010-0016358

(51) **LOC (9) Cl.** **26-05**
(52) **U.S. Cl.** **D26/63**
(58) **Field of Classification Search** D26/60-66,
D26/72, 81, 83-85, 87-92, 118; 362/647,
362/648, 371, 372, 145, 147, 148, 269-271,
362/277, 280-285, 287-289, 311.13, 319,
362/404, 408, 418, 419, 427, 430, 432
See application file for complete search history.

(56) **References Cited**

U.S. PATENT DOCUMENTS

D538,959 S *	3/2007	Kosche	D26/63
D541,456 S *	4/2007	Kosche	D26/63
D568,518 S *	5/2008	Schmidt	D26/63
D585,579 S *	1/2009	Lehman	D26/63
D587,832 S *	3/2009	Bergmann et al.	D26/63
D625,451 S *	10/2010	Rashidi	D26/63
D625,867 S *	10/2010	Rashidi	D26/63
D625,868 S *	10/2010	Rashidi	D26/63
D625,869 S *	10/2010	Rashidi	D26/63
D627,498 S *	11/2010	Chipperfield	D26/63
7,850,363 B1 *	12/2010	Speidel et al.	362/648
D630,360 S *	1/2011	Rashidi	D26/63
D630,361 S *	1/2011	Rashidi	D26/63

* cited by examiner

Primary Examiner — Susan M Lee
Assistant Examiner — Linda Brooks
(74) *Attorney, Agent, or Firm* — Seyfarth Shaw LLP

(57) **CLAIM**

The ornamental design for a spotlight, as shown and described.

DESCRIPTION

FIG. 1 is a perspective view of the spotlight showing a new design;
FIG. 2 is a front view thereof;
FIG. 3 is a rear view thereof;
FIG. 4 is a left-side view thereof;
FIG. 5 is a right-side view thereof;
FIG. 6 is a top plan view thereof;
FIG. 7 is a bottom view thereof;
FIG. 8 is a partial enlarged perspective view of the upper portion thereof;
FIG. 9 is a partial enlarged perspective view of the lower portion thereof;
FIG. 10 is a partial enlarged front view of the upper right portion thereof;
FIG. 11 is a partial enlarged left-side view of the upper portion thereof;
FIG. 12 is a partial enlarged left-side view of the lower portion thereof;
FIG. 13 is a partial enlarged right-side view of the upper portion thereof;
FIG. 14 is a partial enlarged right-side view of the lower portion thereof;
FIG. 15 is a partial enlarged top plan view of the right portion thereof;
FIG. 16 is a partial enlarged bottom view of the right portion thereof; and,
FIG. 17 is a partial enlarged bottom perspective view of the lower portion thereof.

1 Claim, 16 Drawing Sheets

Fig. 1

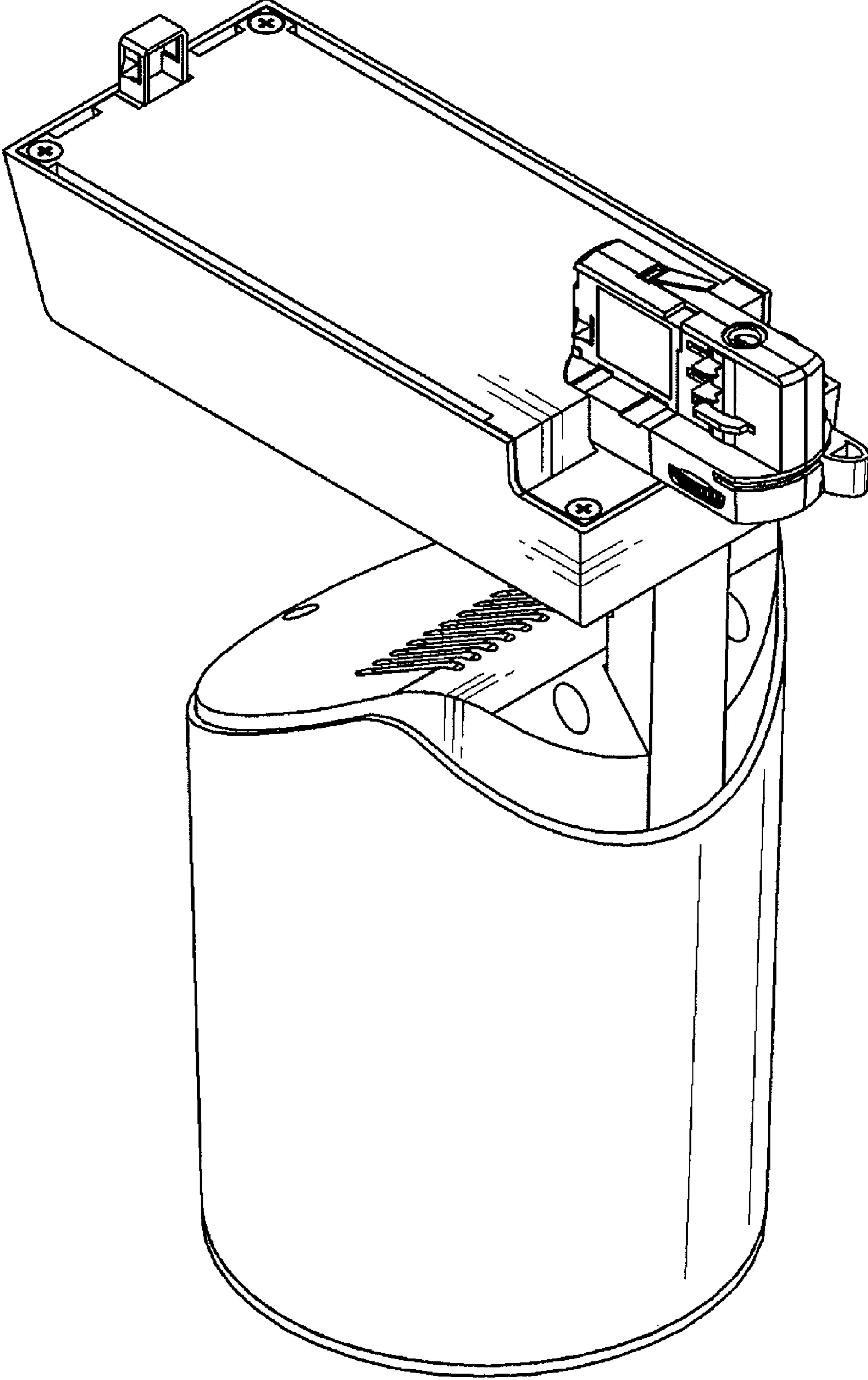


Fig. 2

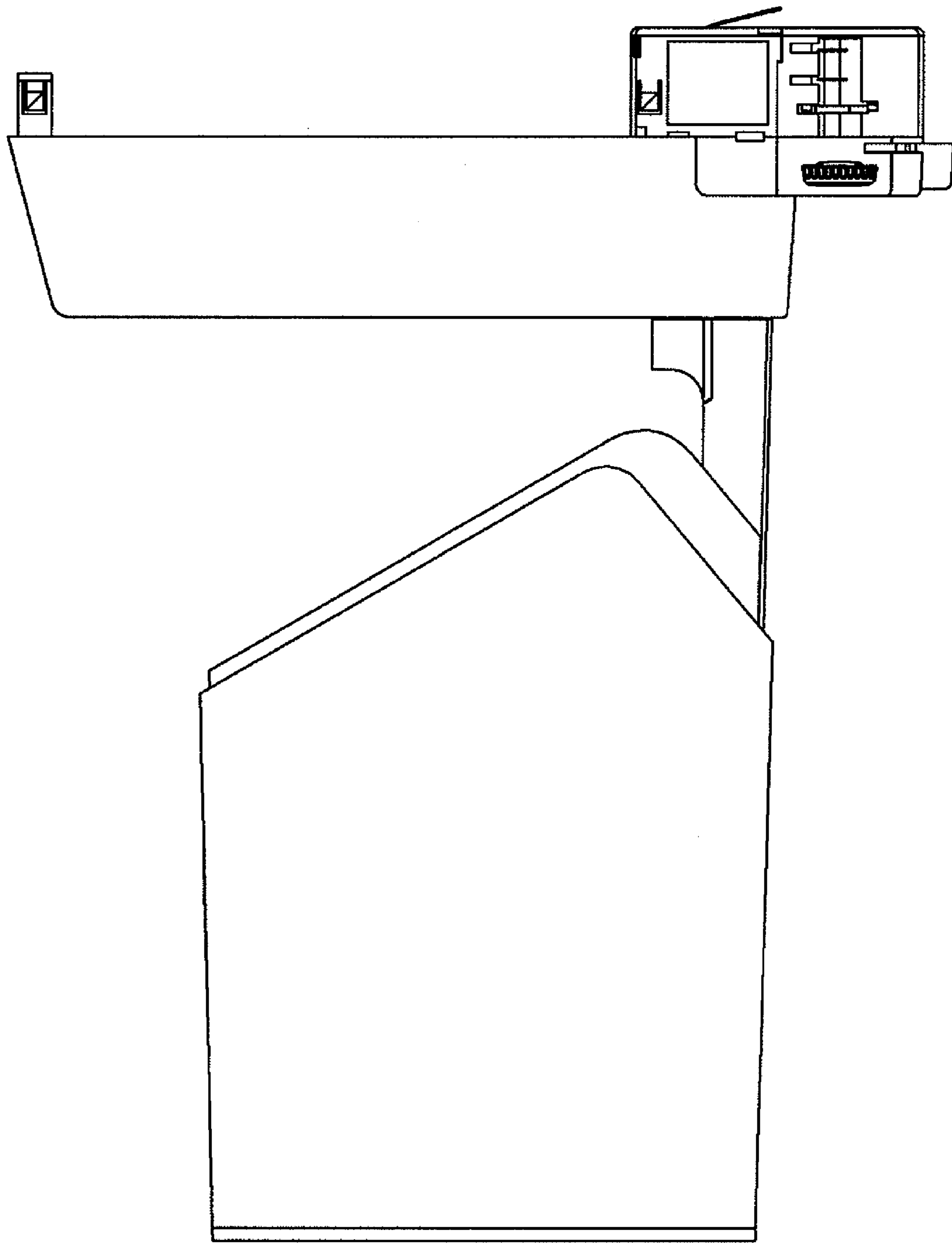


Fig. 3

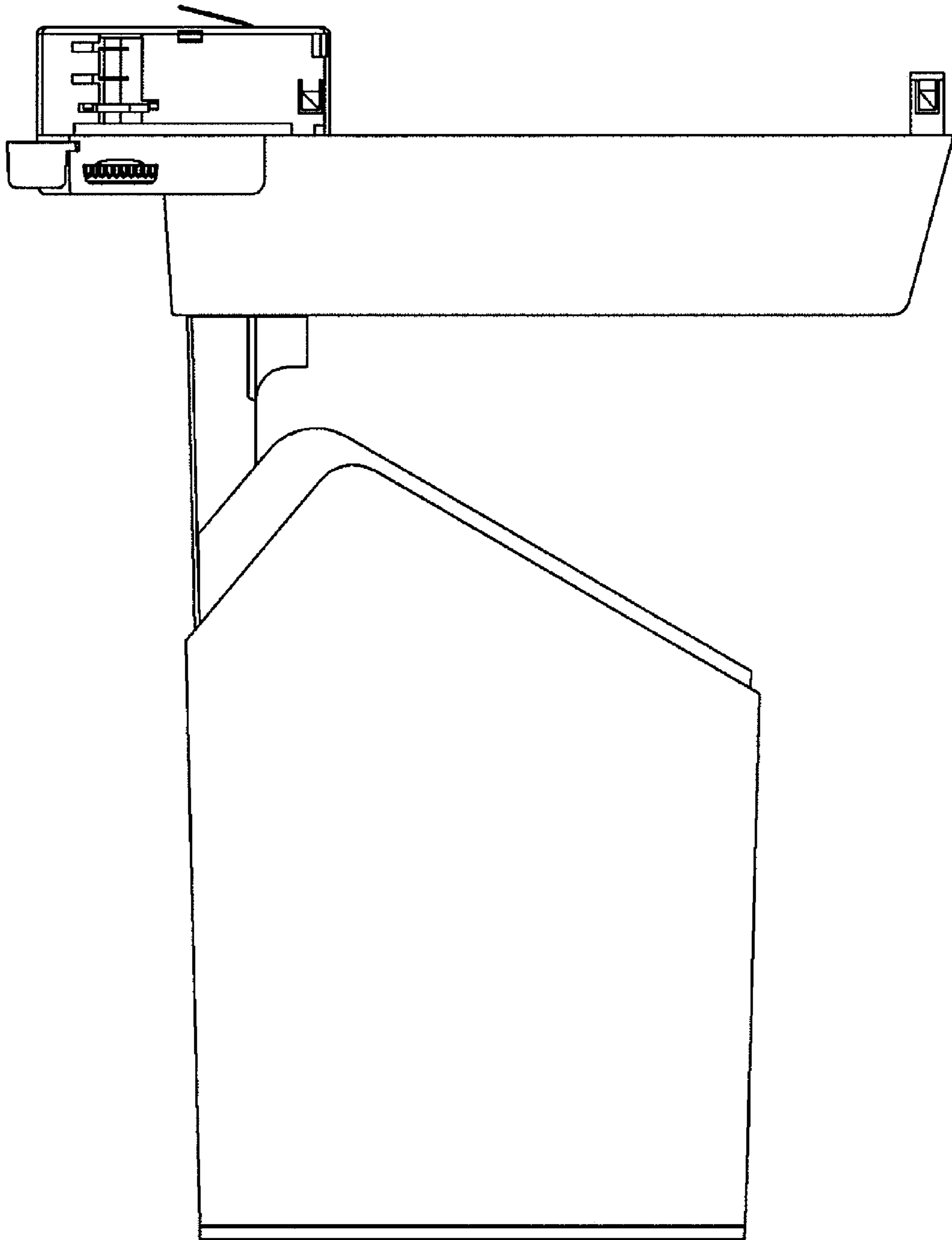


Fig. 4

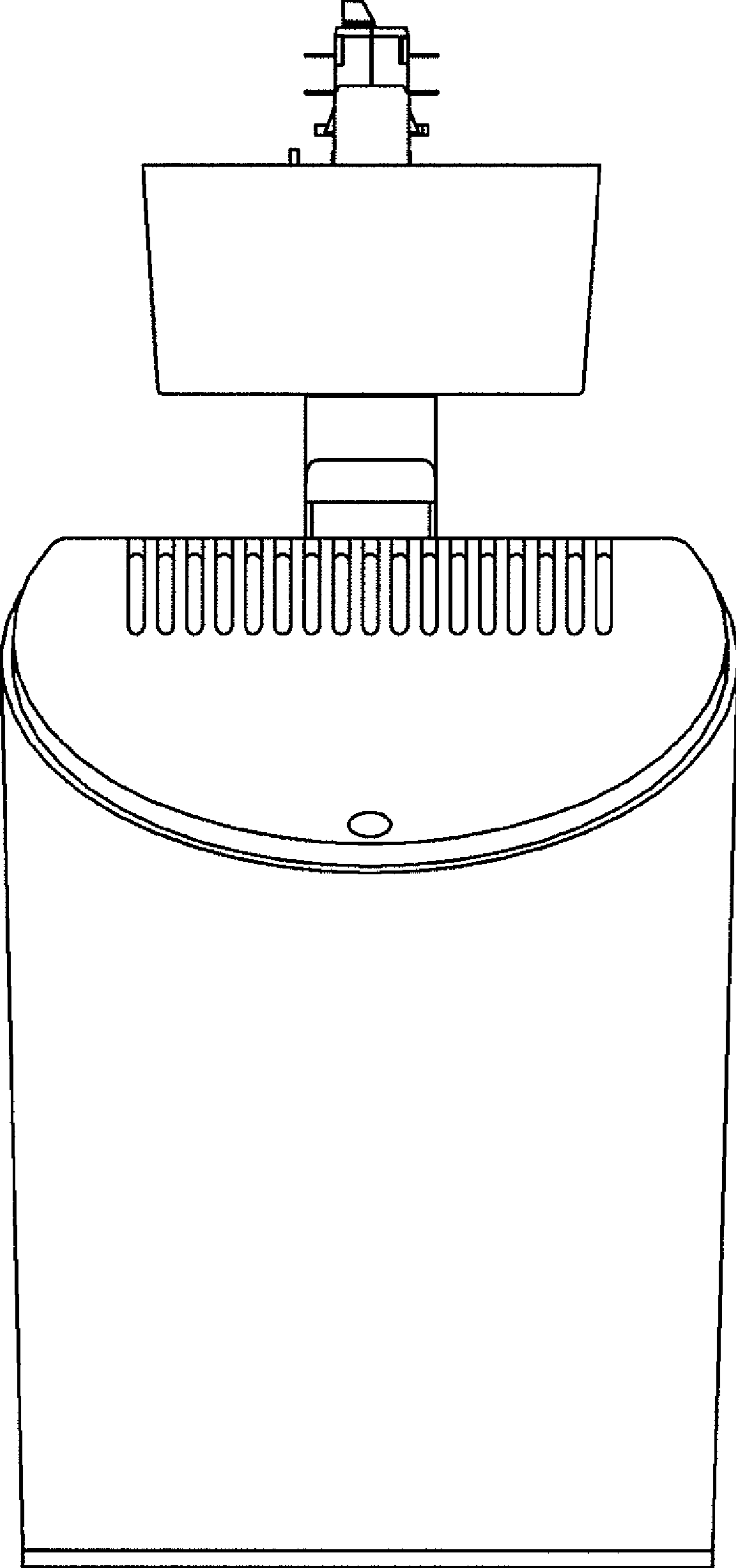


Fig. 5

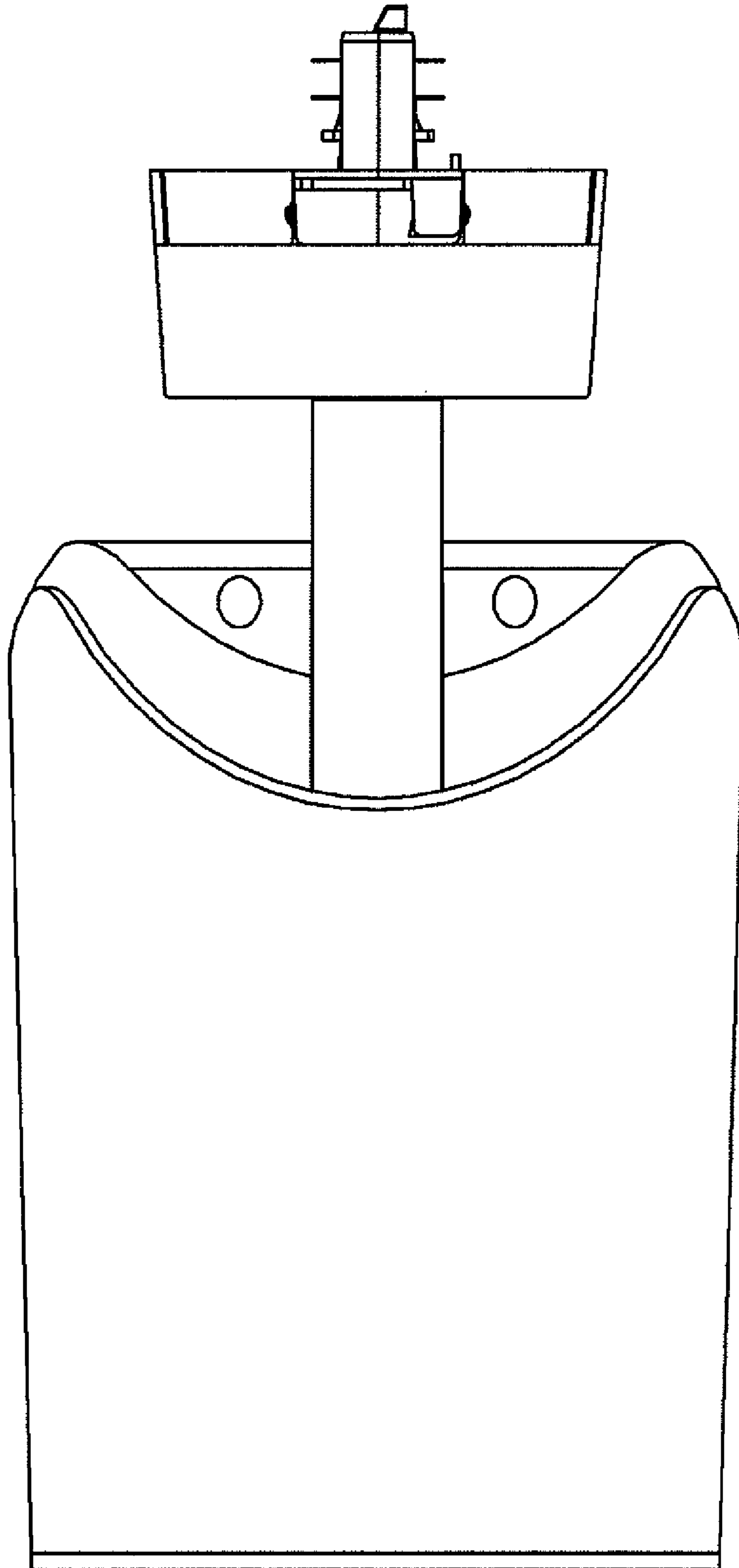


Fig. 6

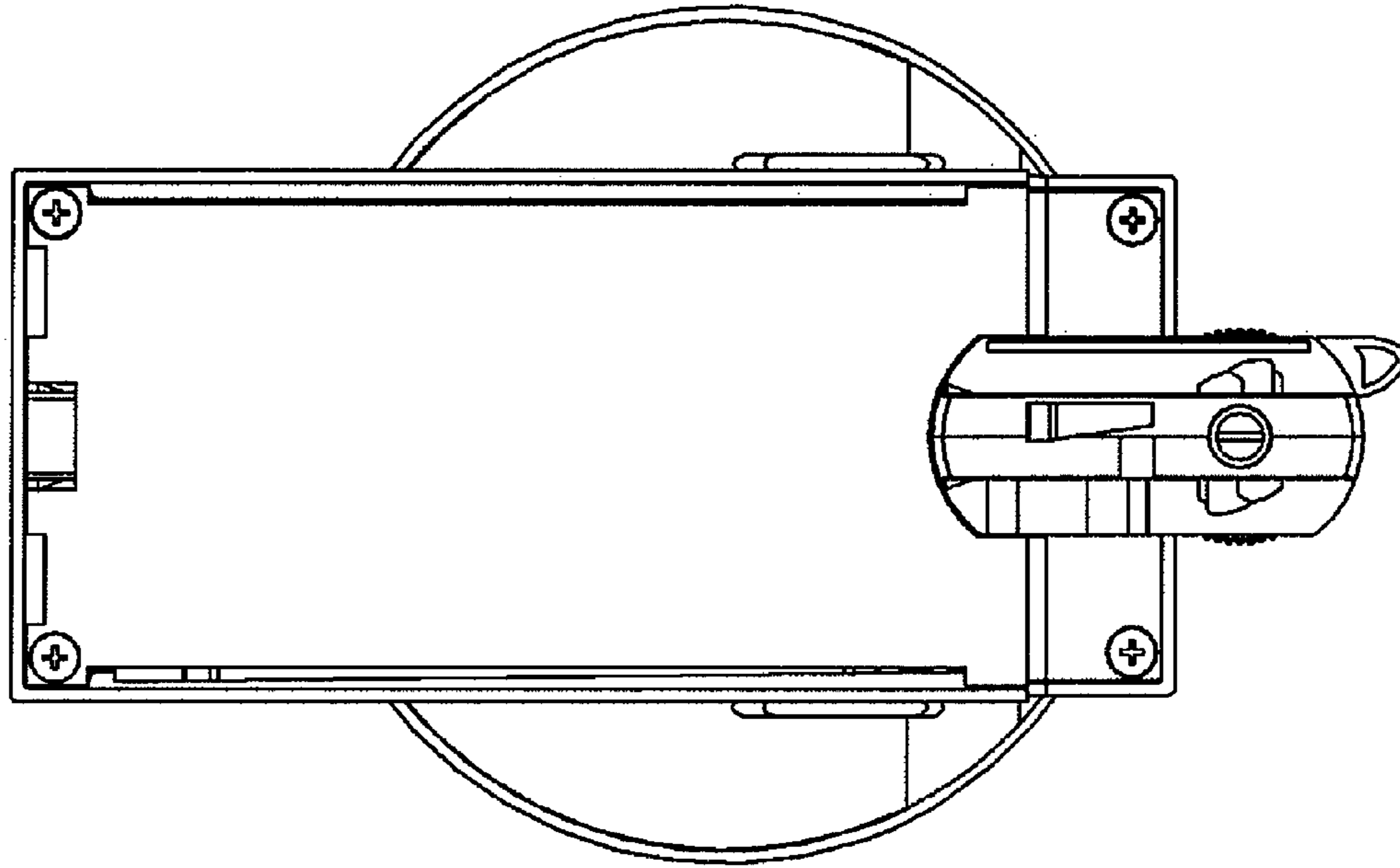


Fig. 7

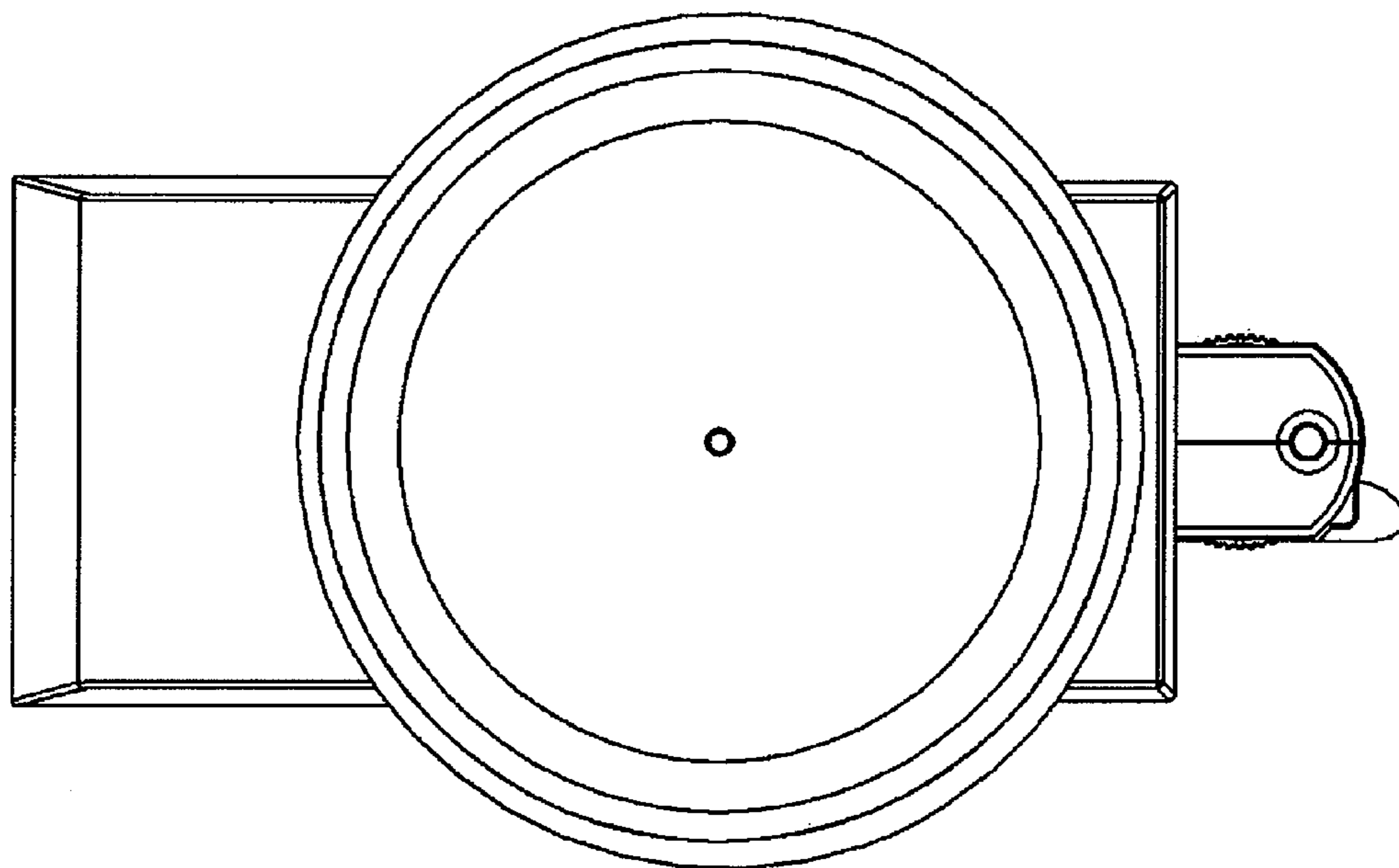


Fig. 8

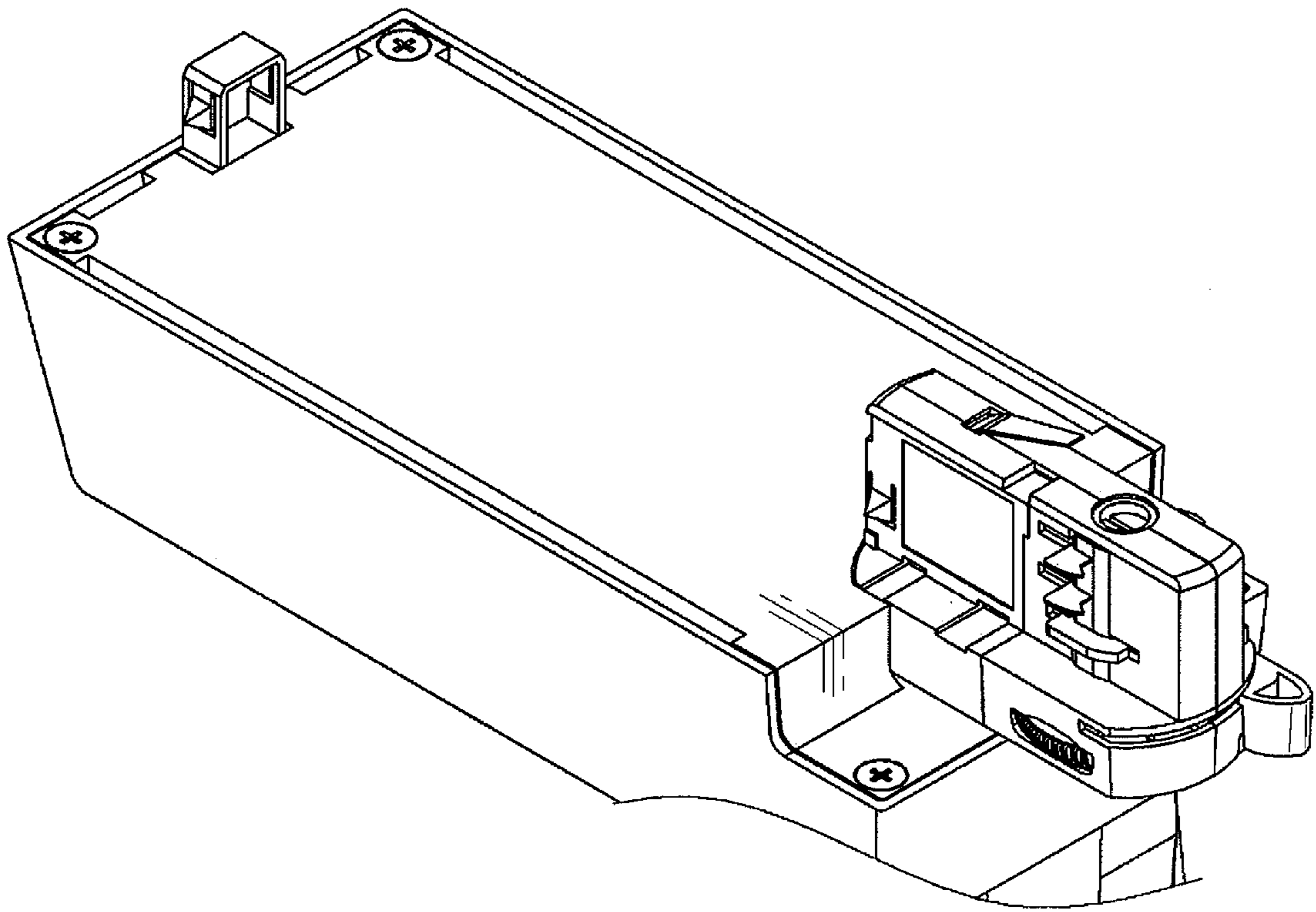


Fig. 9

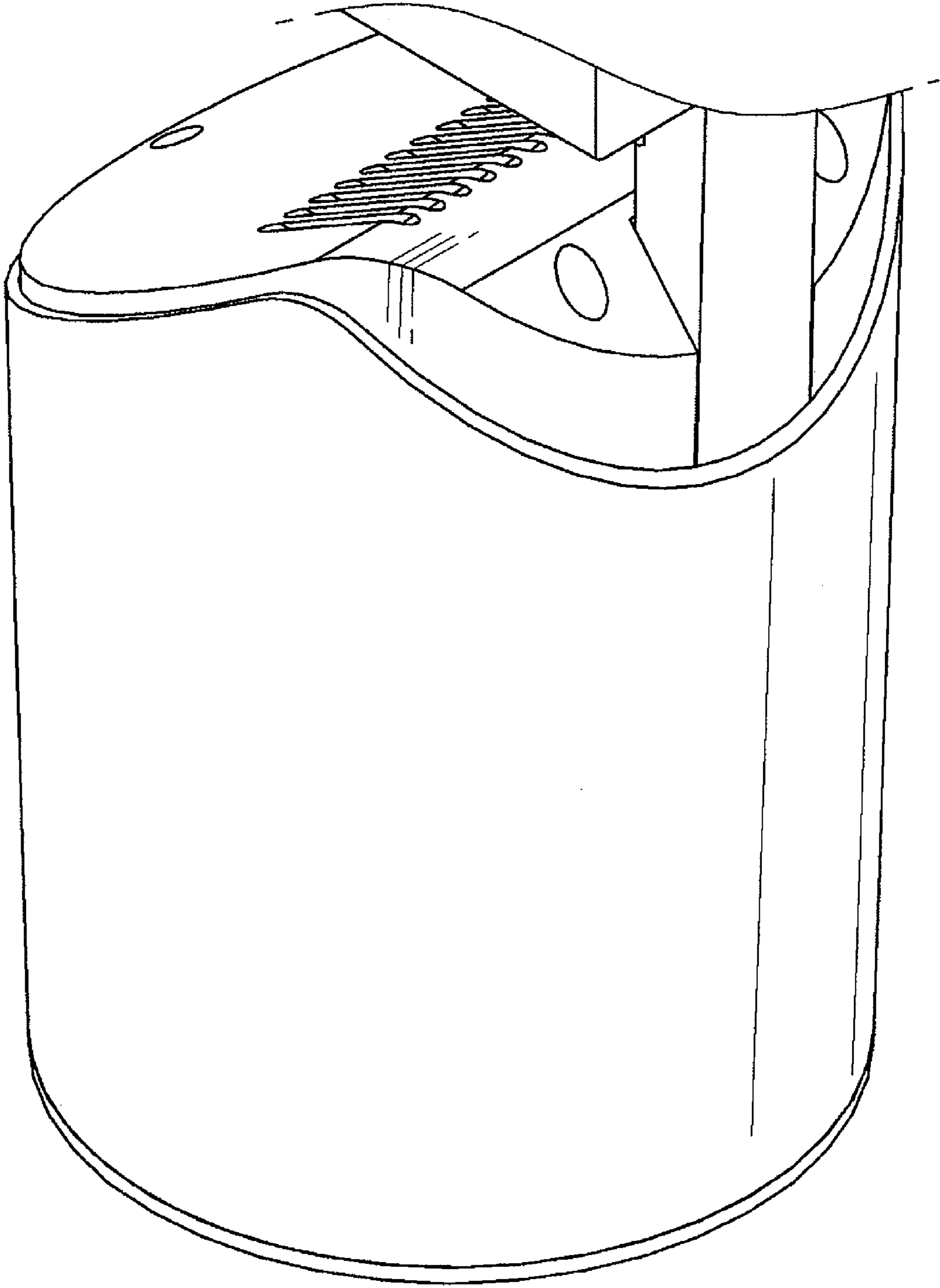


Fig. 10

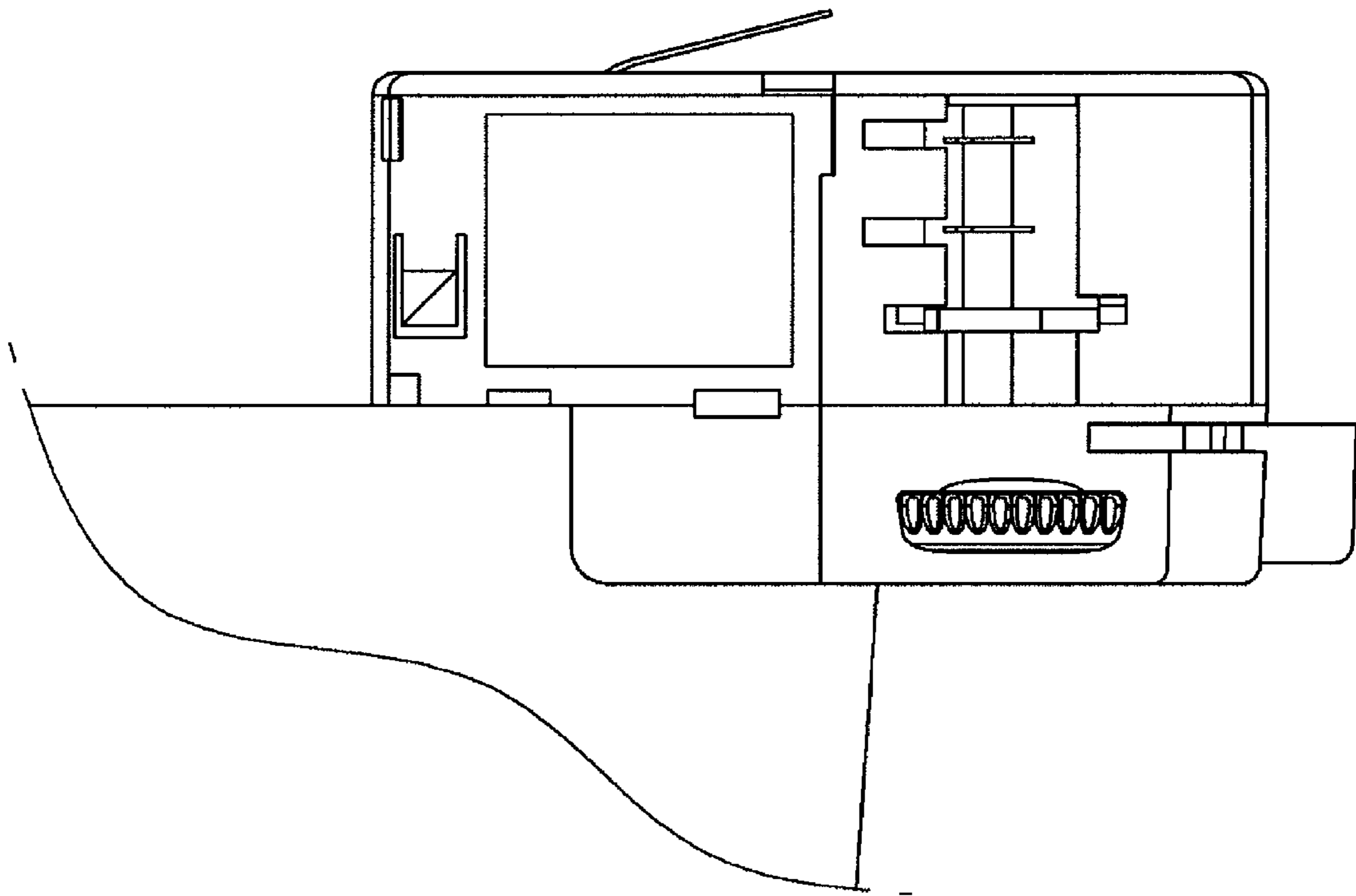


Fig. 11

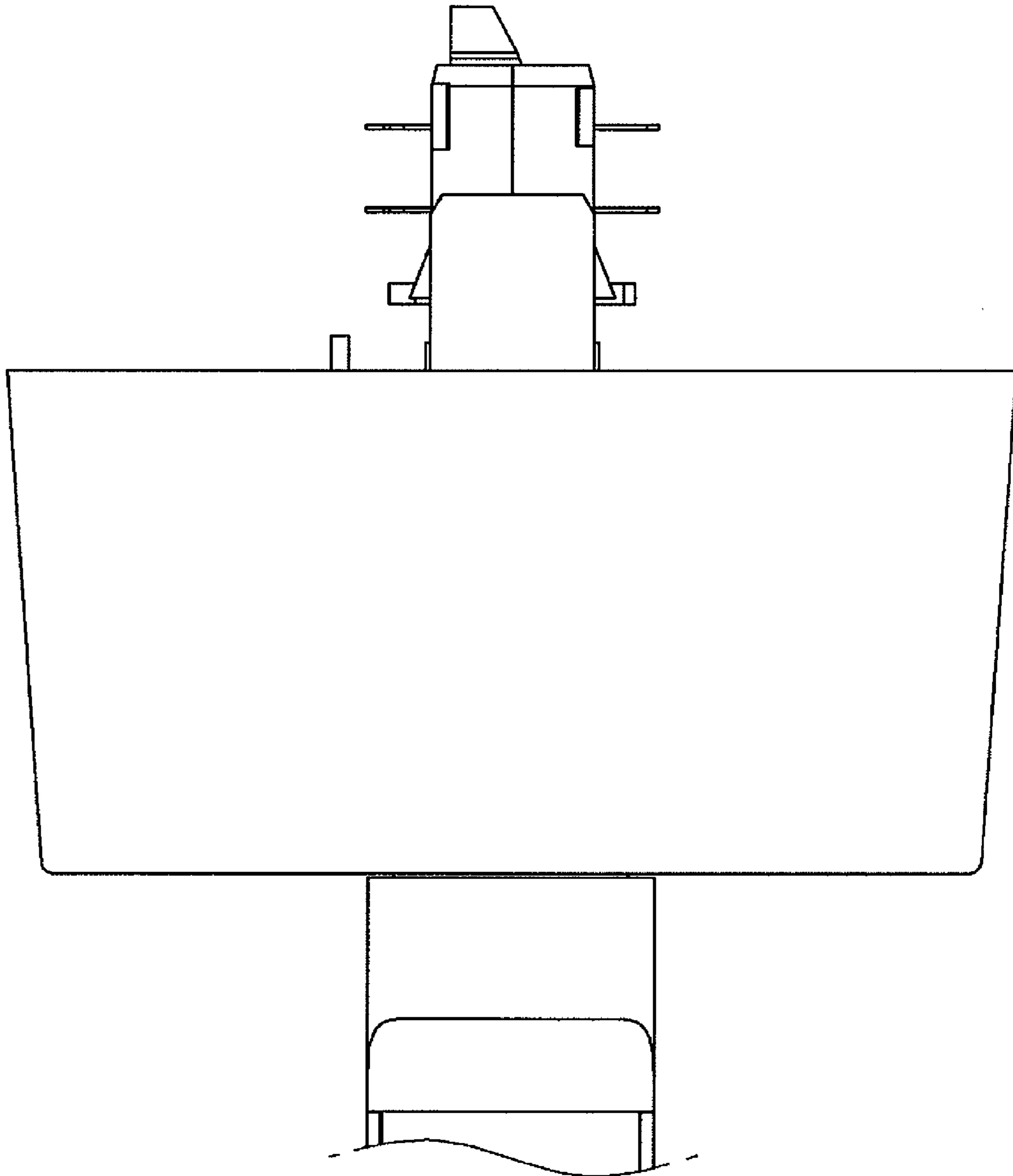


Fig. 12

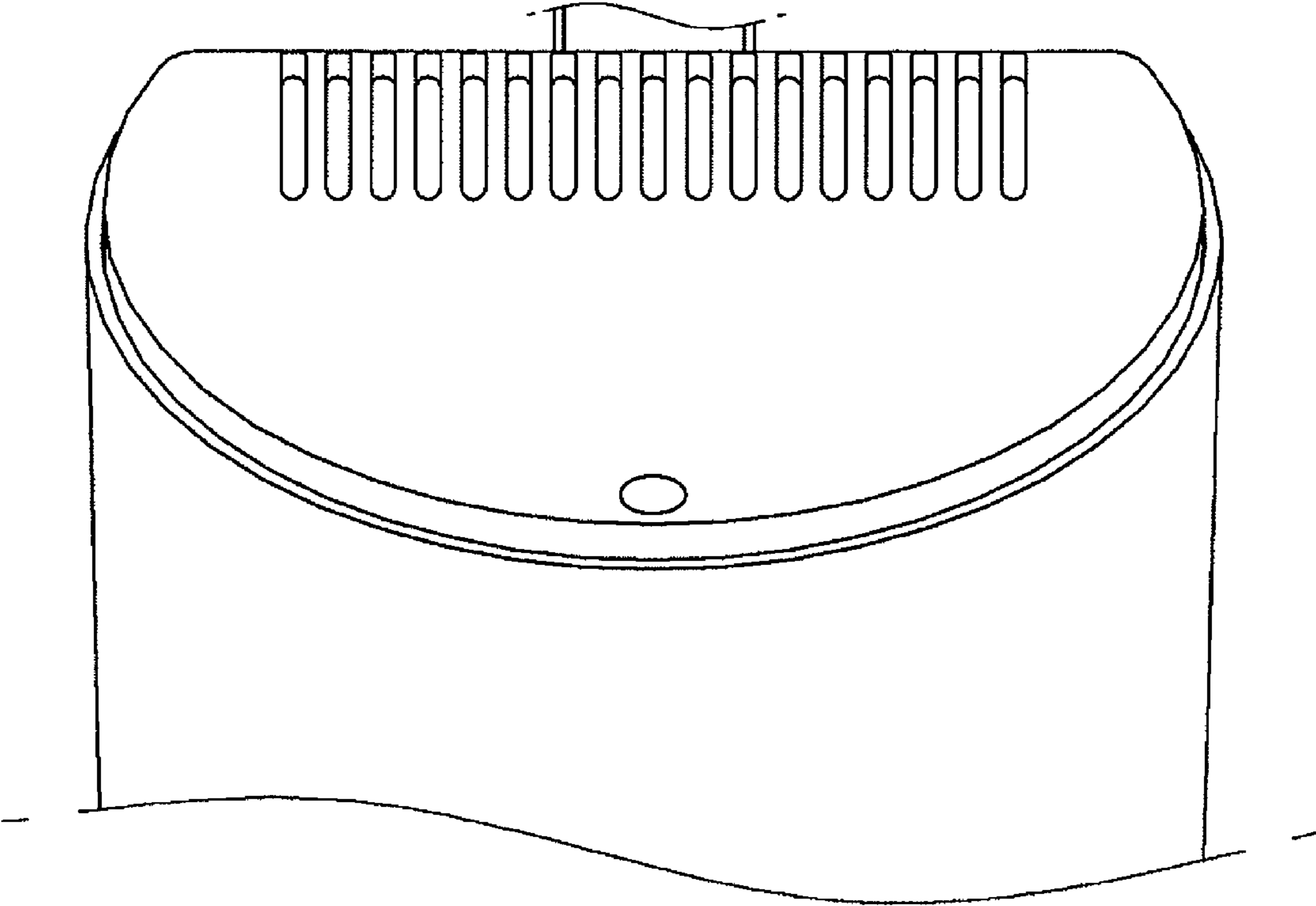


Fig. 13

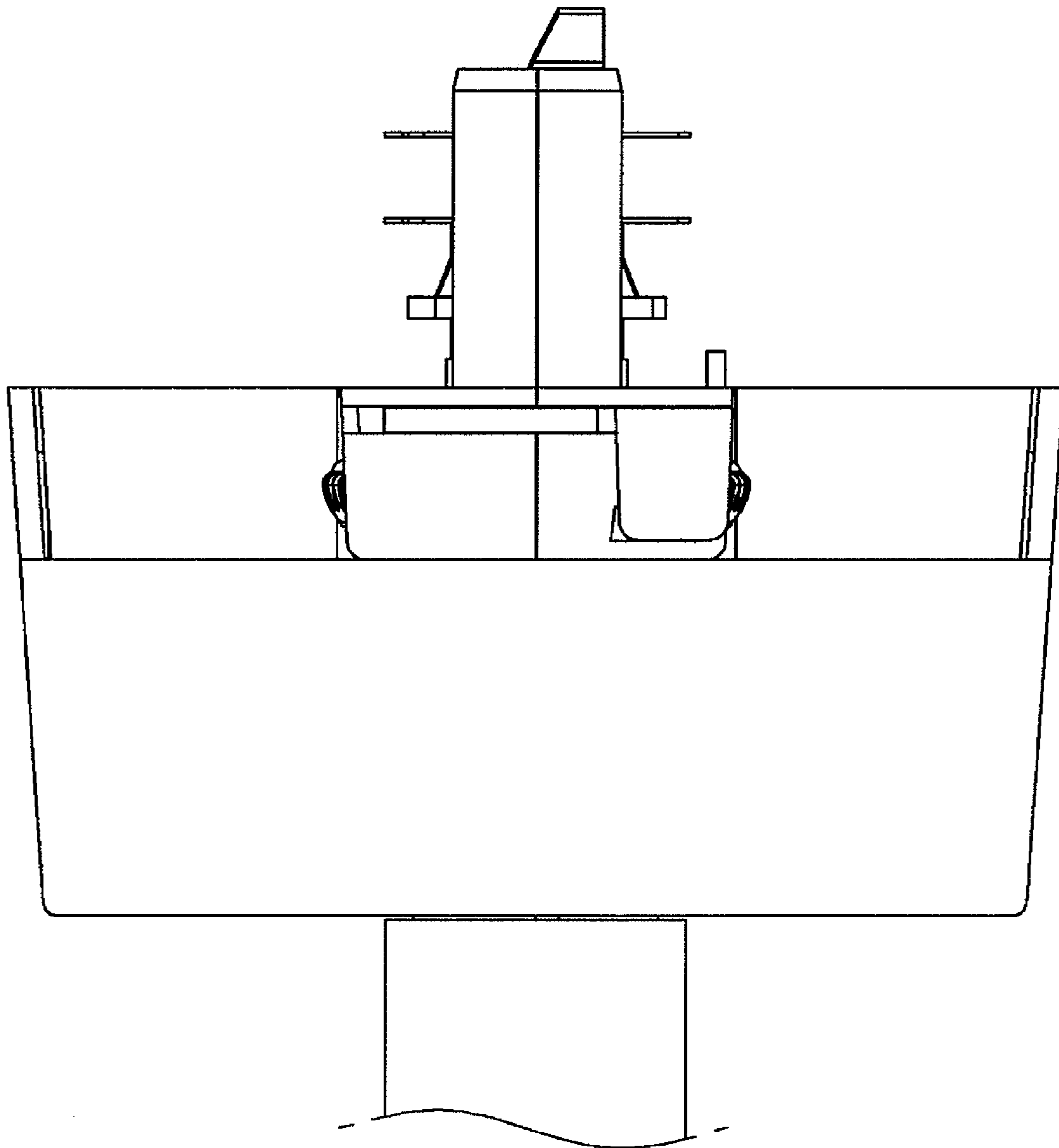


Fig. 14

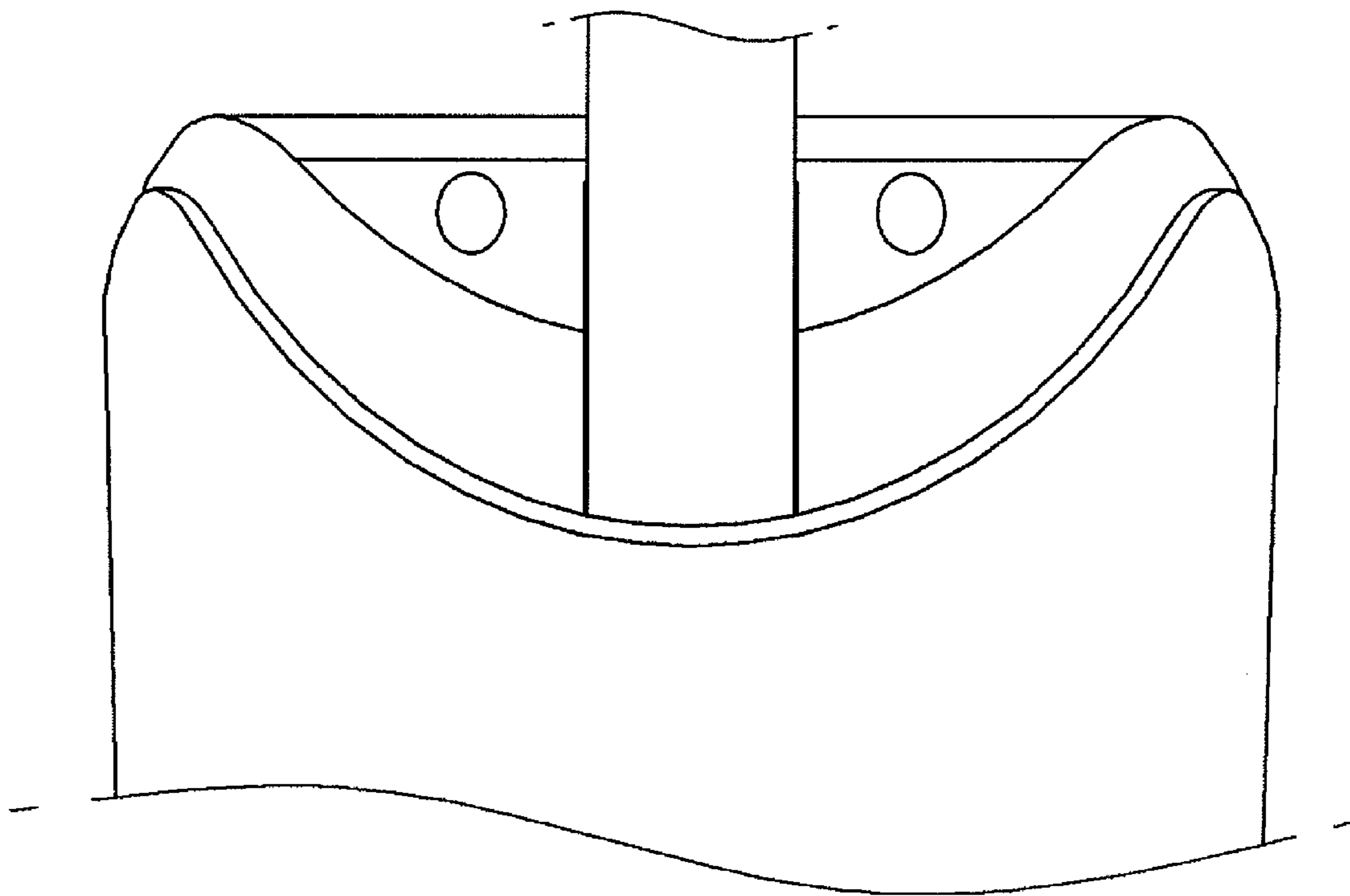


Fig. 15

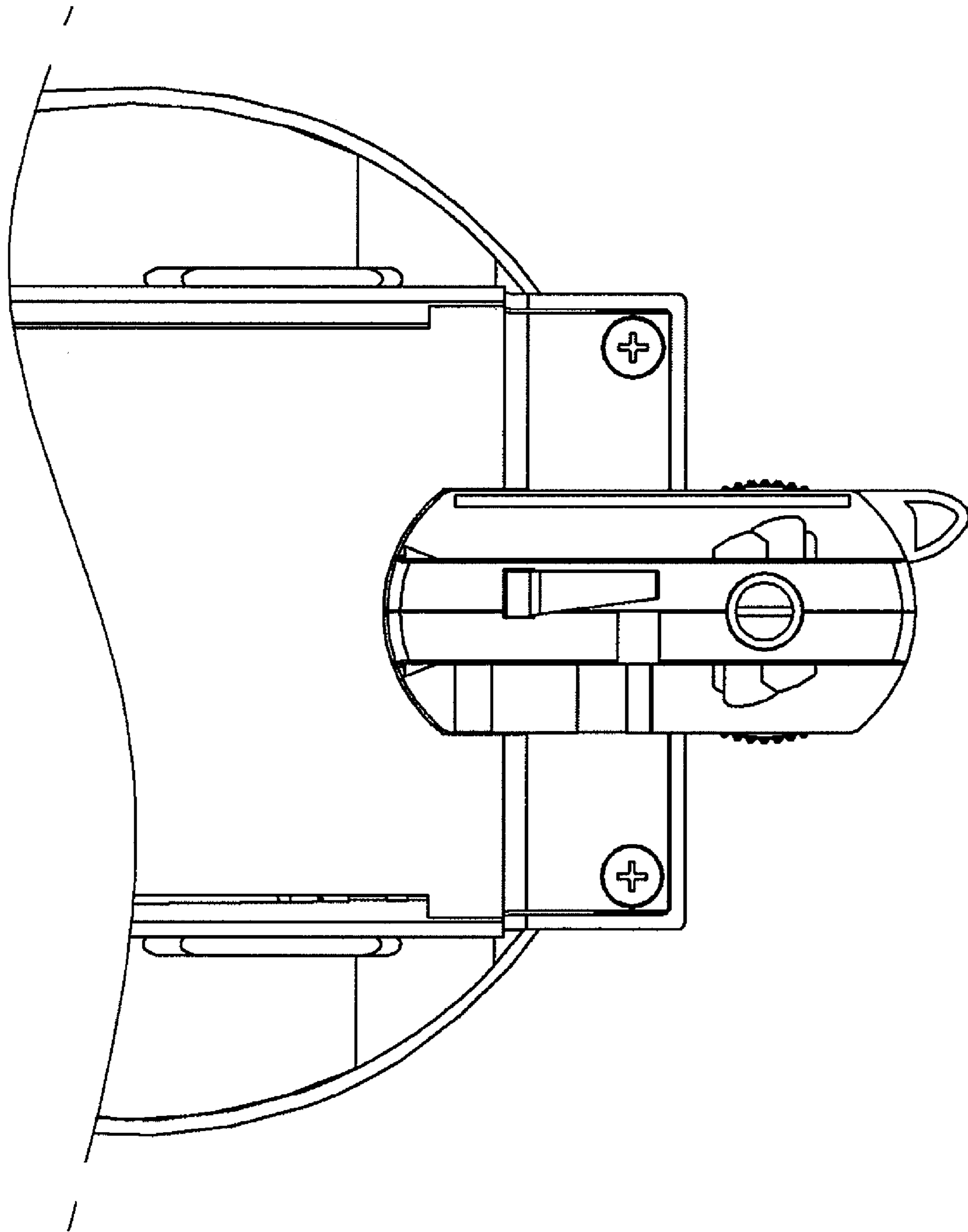


Fig. 16

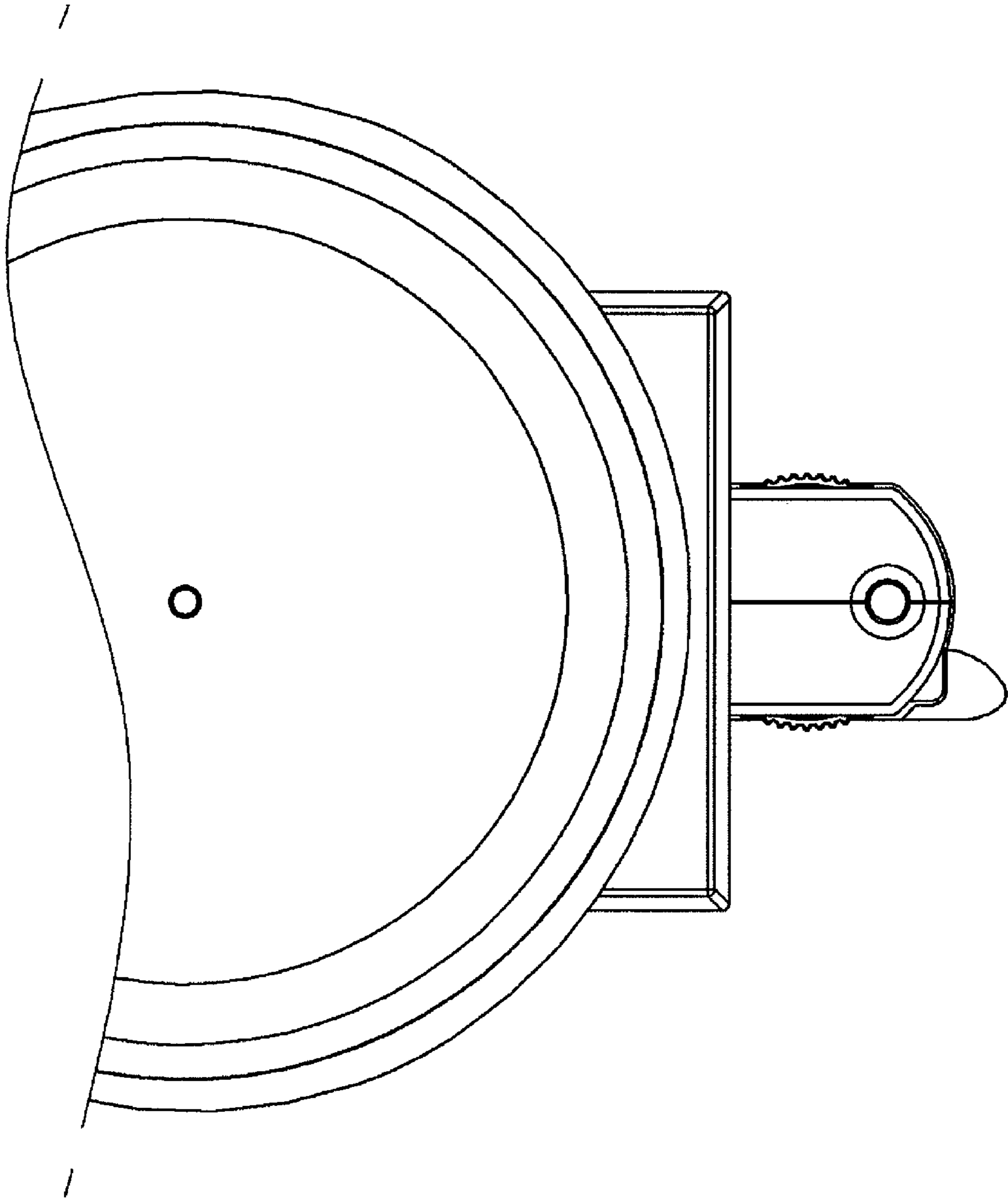


Fig. 17

