



US00D640815S

(12) **United States Design Patent**  
**Yamada et al.**

(10) **Patent No.:** **US D640,815 S**  
(45) **Date of Patent:** **\*\* Jun. 28, 2011**

(54) **SPOTLIGHT**

D583,981 S \* 12/2008 Meyer et al. .... D26/89  
D583,982 S \* 12/2008 Meyer et al. .... D26/89  
D585,588 S \* 1/2009 Alexander et al. .... D26/118

(75) Inventors: **Hirokazu Yamada**, Kanagawa (JP);  
**Junichiro Yamamoto**, Kanagawa (JP);  
**Kazufumi Yoshida**, Kanagawa (JP);  
**Tomohiko Sato**, Tokyo (JP)

**FOREIGN PATENT DOCUMENTS**

EM D000538822-0006 8/2006  
EM D001119655-0021 4/2009  
EM D001664038-0001 2/2010

(73) Assignees: **Toshiba Lighting & Technology Corporation**, Kanagawa (JP);  
**Kabushiki Kaisha Toshiba**, Tokyo (JP)

\* cited by examiner

*Primary Examiner* — Susan M Lee

*Assistant Examiner* — Linda Brooks

(\*\*) Term: **14 Years**

(74) *Attorney, Agent, or Firm* — J.C. Patents

(21) Appl. No.: **29/369,477**

(57) **CLAIM**

The ornamental design for a spotlight, as shown and described.

(22) Filed: **Sep. 9, 2010**

(30) **Foreign Application Priority Data**

**DESCRIPTION**

Mar. 30, 2010 (JP) ..... 2010-007816

(51) **LOC (9) Cl.** ..... **26-05**

(52) **U.S. Cl.** ..... **D26/63**

(58) **Field of Classification Search** ..... D26/61-66,  
D26/72, 81, 83-85, 87-93, 118; 362/145,  
362/147, 148, 269, 270, 274, 277, 282, 285,  
362/287, 288, 311.02, 311.13, 319, 351,  
362/432, 806

See application file for complete search history.

FIG. 1 is a perspective view of a spotlight showing our new design.

FIG. 2 is a front view thereof.

FIG. 3 is a rear view thereof.

FIG. 4 is a left side view thereof.

FIG. 5 is a right side view thereof.

FIG. 6 is a top view thereof.

FIG. 7 is a bottom view thereof; and,

FIG. 8 is a cross-sectional view taken along line 8-8 in FIG. 2.

The broken line showing in FIG. 2 is for illustrative purposes only and forms no part of the claimed design. The portion shown in double cross-hatched lines in FIG. 8 are pervious to light.

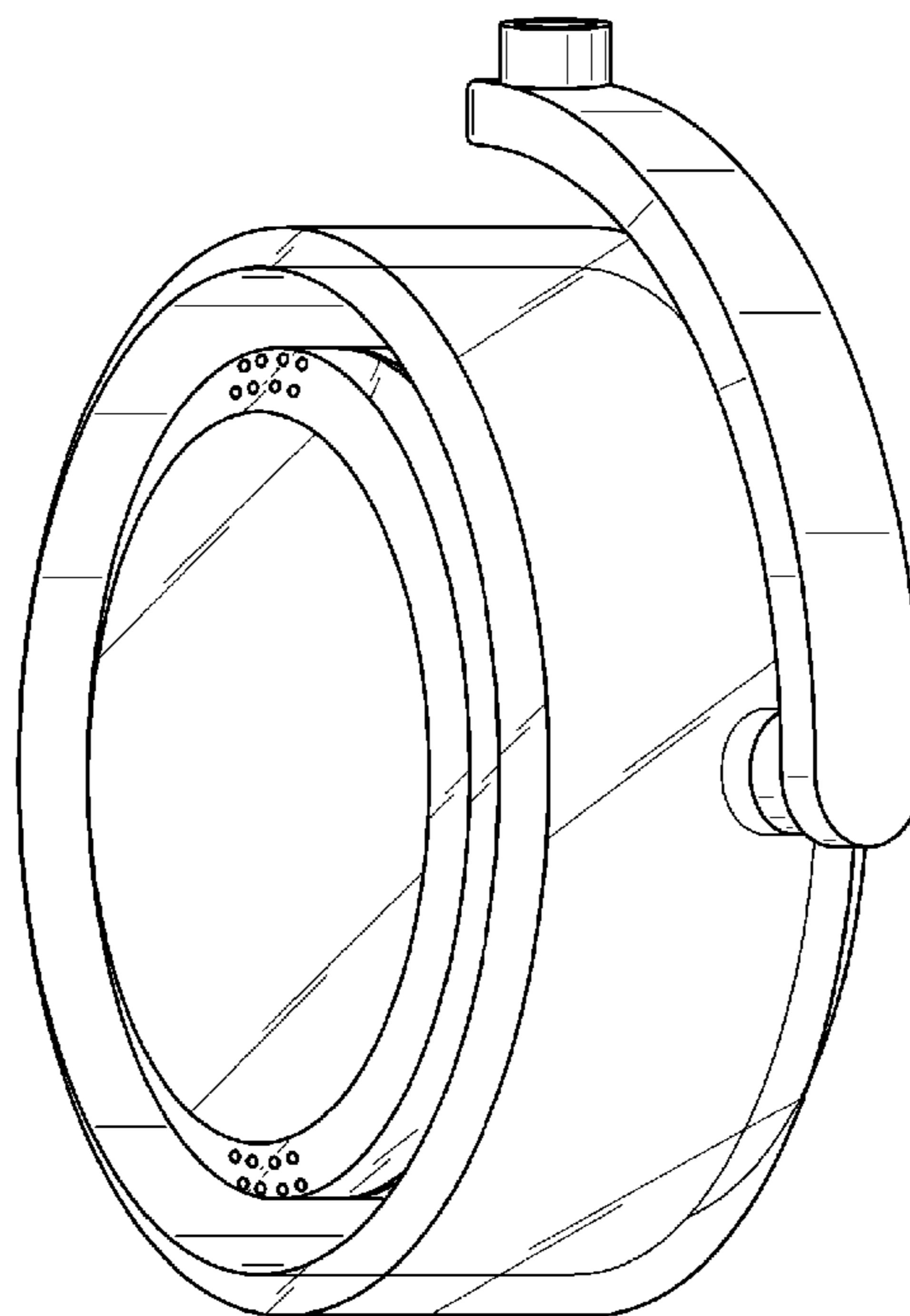
The portion shown in thick-thin-alternated oblique lines in FIG. 8 is transparent.

(56) **References Cited**

**U.S. PATENT DOCUMENTS**

D369,877 S \* 5/1996 Lupien ..... D26/64  
D443,710 S \* 6/2001 Chiu ..... D26/63  
D491,684 S \* 6/2004 McInnis ..... D26/63  
D574,989 S \* 8/2008 Rodzwell ..... D26/63

**1 Claim, 7 Drawing Sheets**



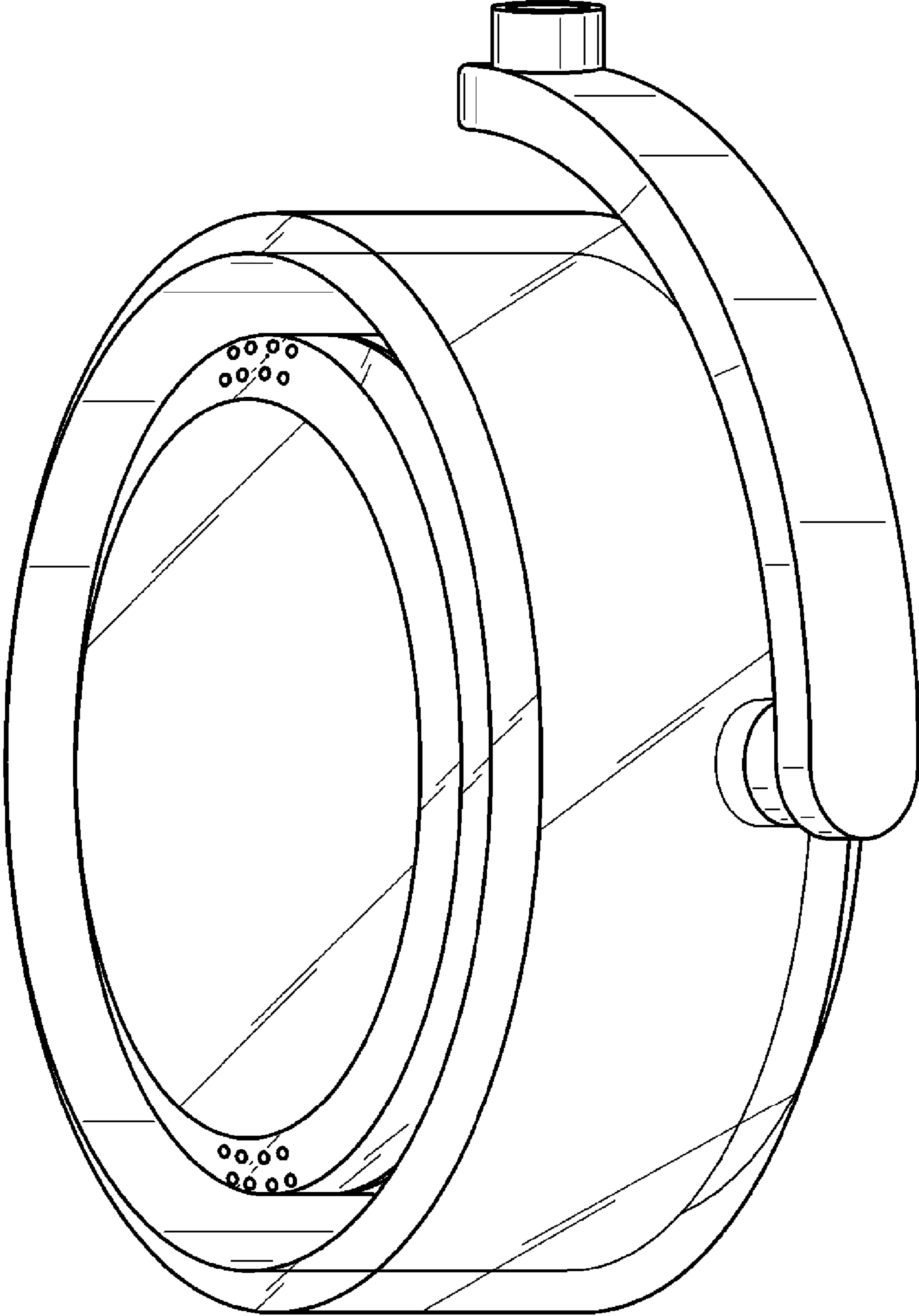


FIG. 1

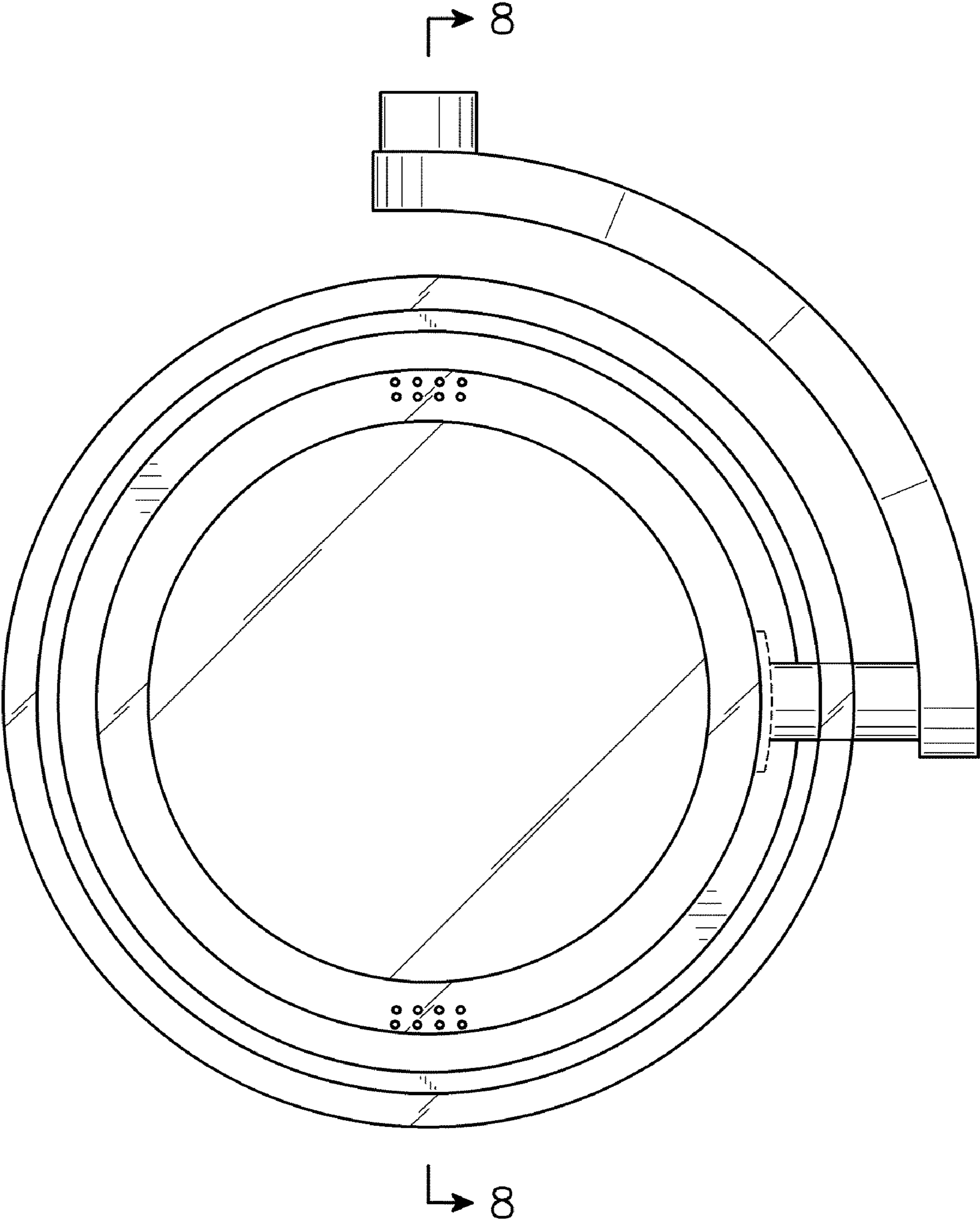


FIG. 2

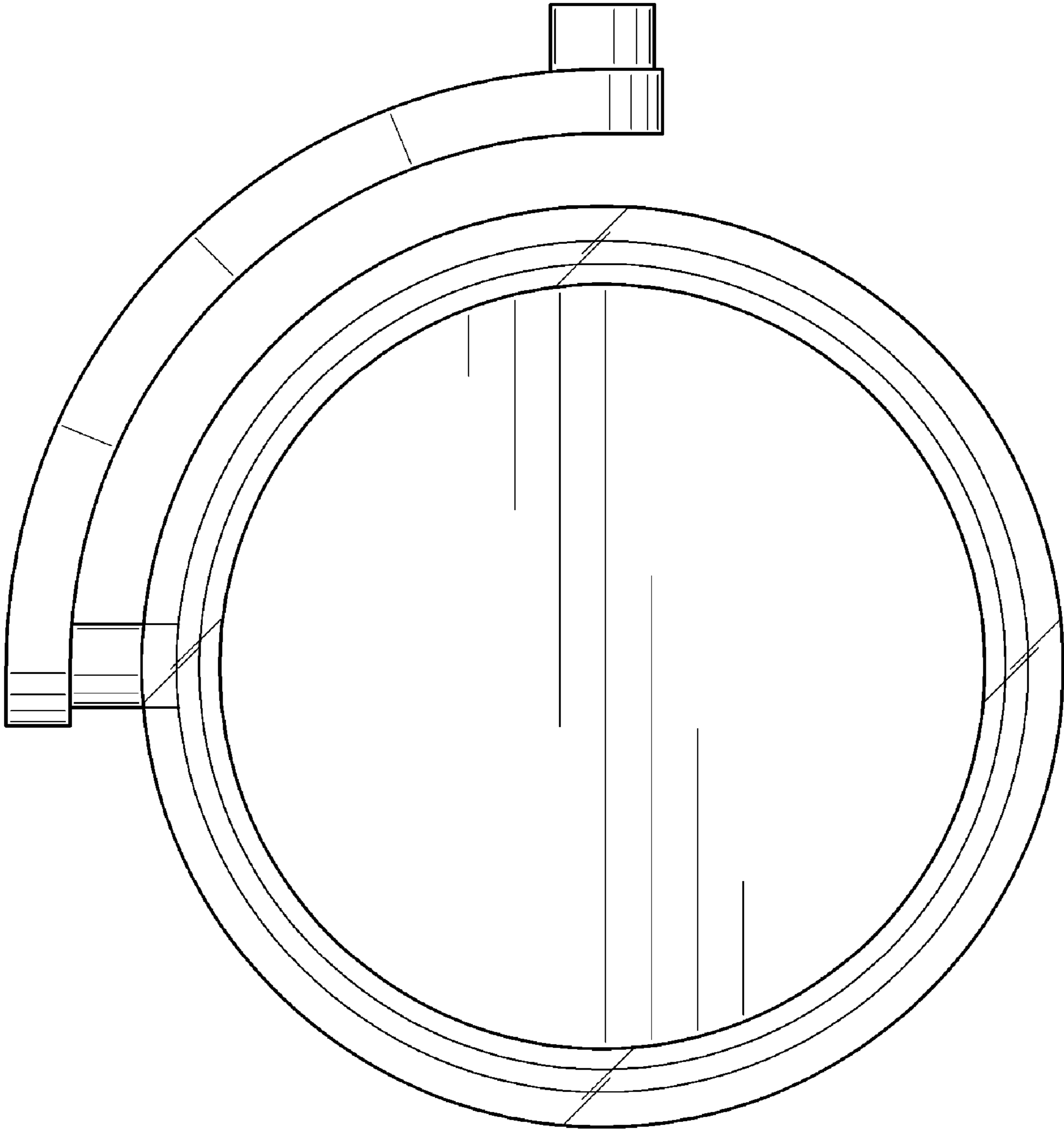


FIG. 3

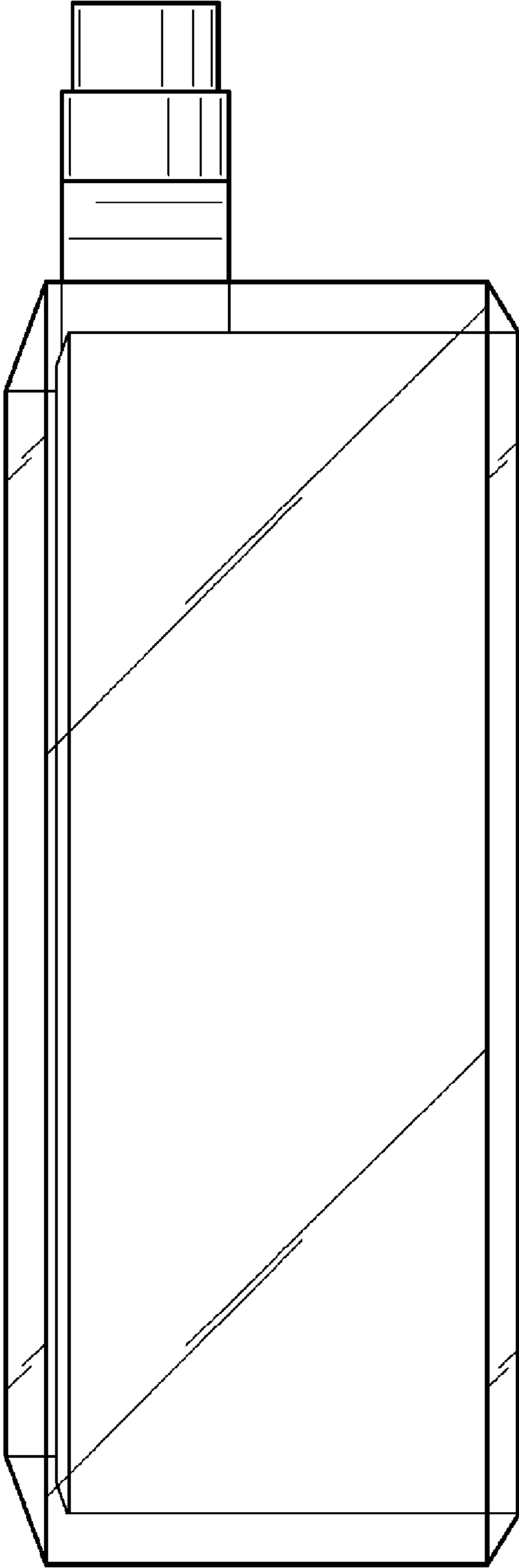


FIG. 4

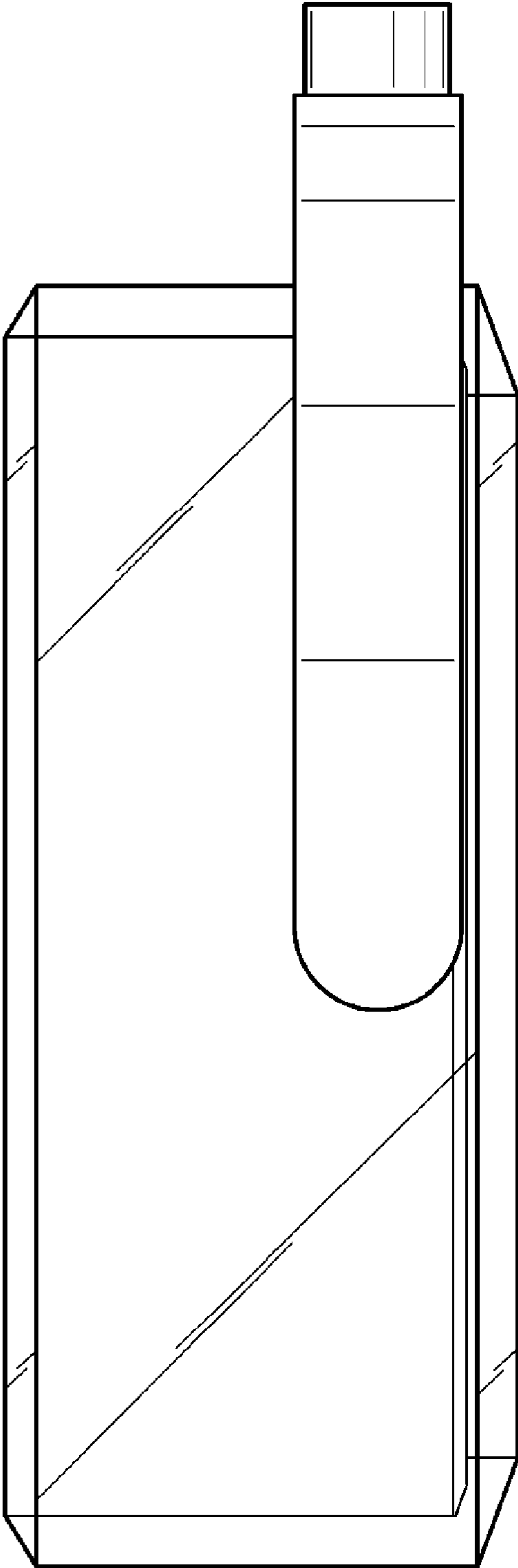


FIG. 5

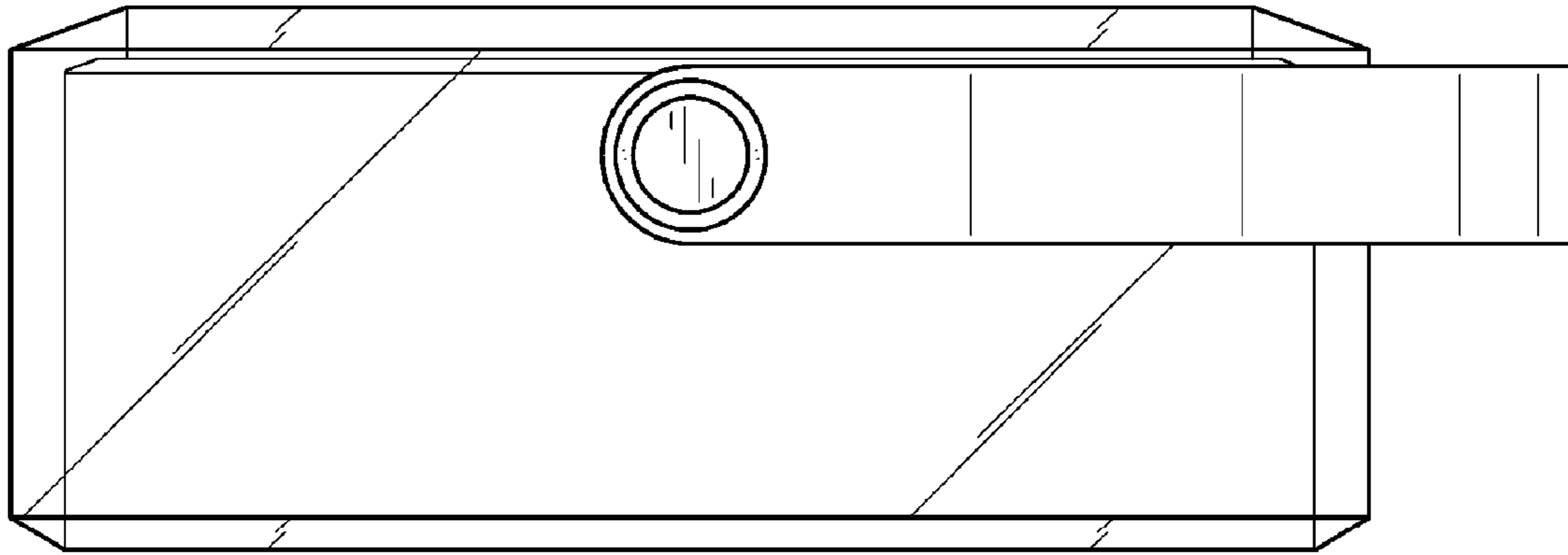


FIG. 6

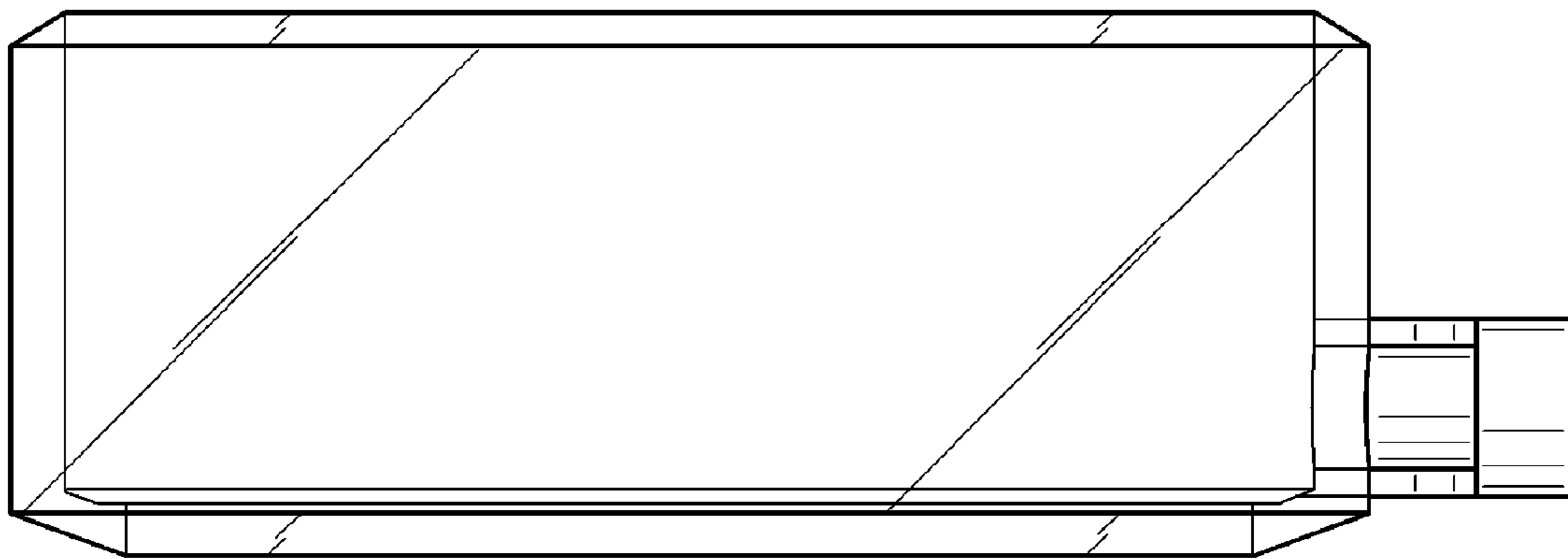


FIG. 7

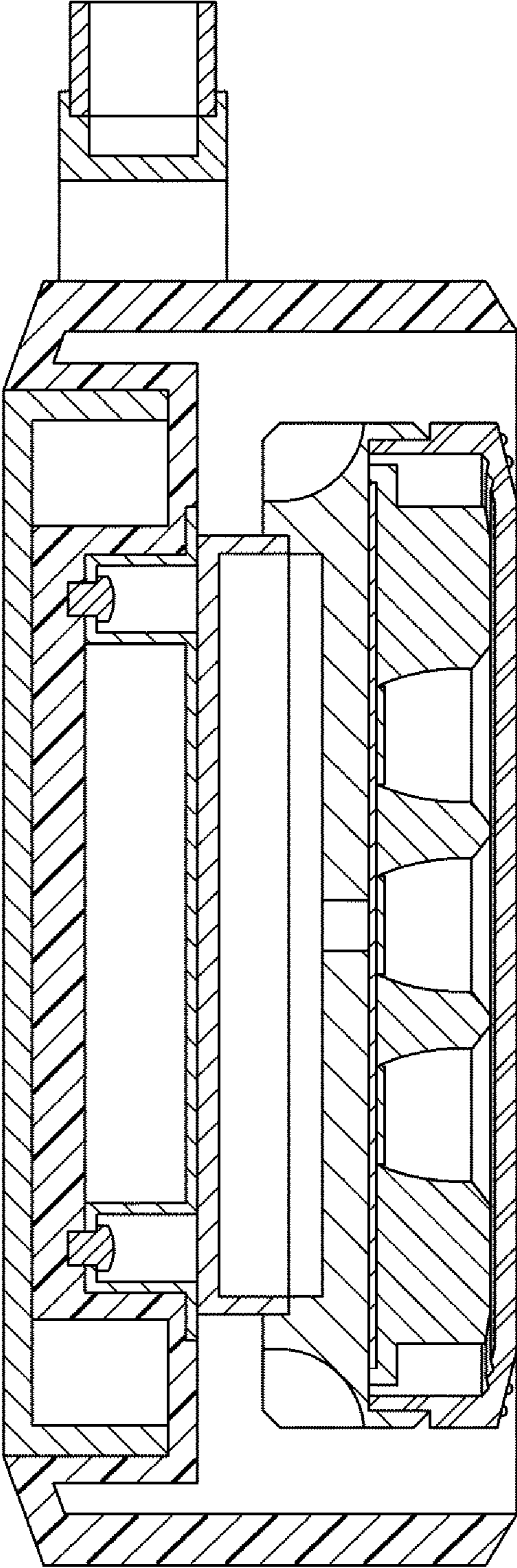


FIG. 8