

US00D640813S

(12) **United States Design Patent**  
**Clark**

(10) **Patent No.:** **US D640,813 S**

(45) **Date of Patent:** **\*\* Jun. 28, 2011**

(54) **LIGHT EMITTER**

(75) **Inventor:** **Randy Wayne Clark**, East Aurora, NY  
(US)

(73) **Assignee:** **Beverly Hills Teddy Bear Company**,  
Santa Clarita, CA (US)

(\*\*) **Term:** **14 Years**

(21) **Appl. No.:** **29/378,266**

(22) **Filed:** **Nov. 2, 2010**

(51) **LOC (9) Cl.** ..... **26-02**

(52) **U.S. Cl.** ..... **D26/49**

(58) **Field of Classification Search** ..... D26/37,  
D26/40, 38, 41, 43, 44, 46, 48-50; 362/157,  
362/158, 183, 184, 186, 194, 195-196, 200-208  
See application file for complete search history.

(56) **References Cited**

U.S. PATENT DOCUMENTS

D117,269 S *	10/1939	Grimsley	.....	D26/49
D244,796 S *	6/1977	Staub	.....	D26/49
D360,044 S *	7/1995	Tillery	.....	D26/49
D395,719 S *	6/1998	Concari	.....	D26/37
D407,508 S *	3/1999	Chiu	.....	D26/37
D411,023 S *	6/1999	Yau	.....	D26/49
D413,401 S *	8/1999	McDonald et al.	.....	D26/49

D443,091 S *	5/2001	van Klinken	.....	D26/49
D445,522 S *	7/2001	Chiu	.....	D26/49
D462,473 S *	9/2002	Wright et al.	.....	D26/49
D494,298 S *	8/2004	Brent	.....	D26/49
D495,076 S *	8/2004	Mandel	.....	D26/37
D496,481 S *	9/2004	Wiesmeth	.....	D26/49
D507,672 S *	7/2005	Fritz et al.	.....	D26/49
D557,837 S *	12/2007	Shiu	.....	D26/37
D574,529 S *	8/2008	Squires et al.	.....	D26/49
D579,596 S *	10/2008	Shiu	.....	D26/49
D612,086 S *	3/2010	Brauer et al.	.....	D26/49

\* cited by examiner

*Primary Examiner* — Ian Simmons

*Assistant Examiner* — Carissa C Fitts

(74) *Attorney, Agent, or Firm* — Richard S Erbe

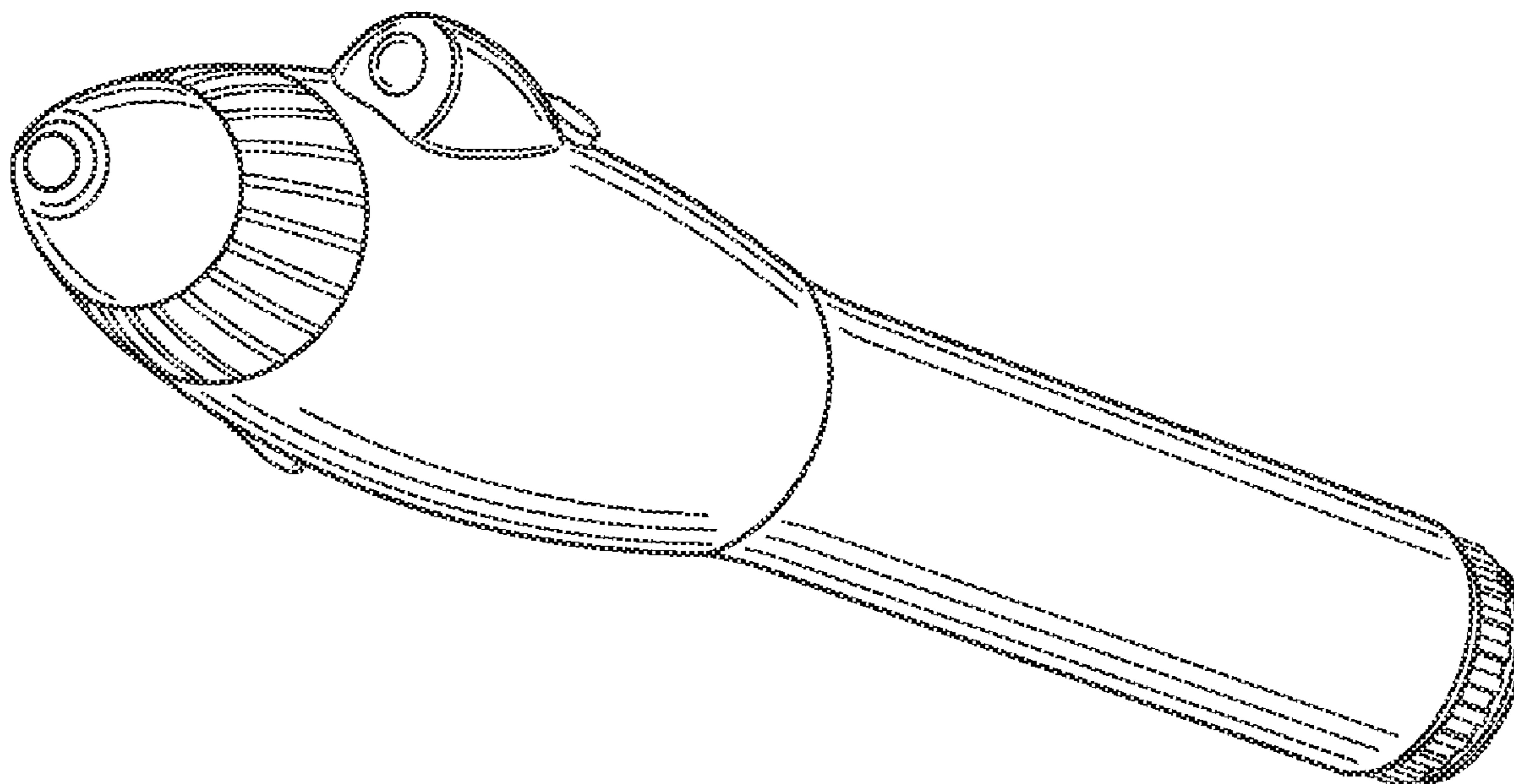
(57) **CLAIM**

The ornamental design for a light emitter, as shown and described.

**DESCRIPTION**

FIG. 1 is a perspective view of my light emitter;  
FIG. 2 is a front elevational view of my light emitter;  
FIG. 3 is a rear elevational view of my light emitter;  
FIG. 4 is a left side elevational view of my light emitter;  
FIG. 5 is a right side elevational view of my light emitter;  
FIG. 6 is a top view of my light emitter; and,  
FIG. 7 is a bottom view of my light emitter.

**1 Claim, 2 Drawing Sheets**



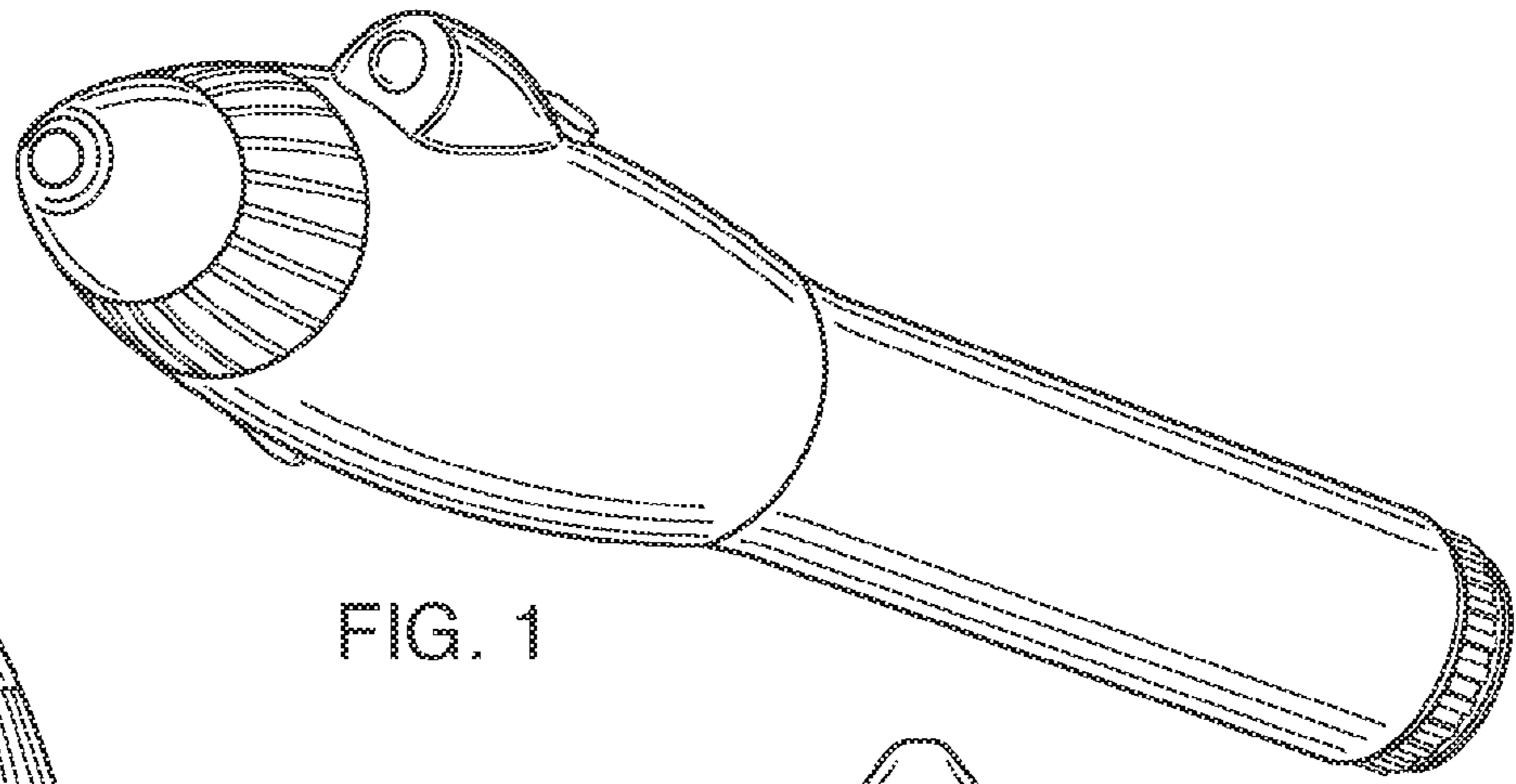


FIG. 1

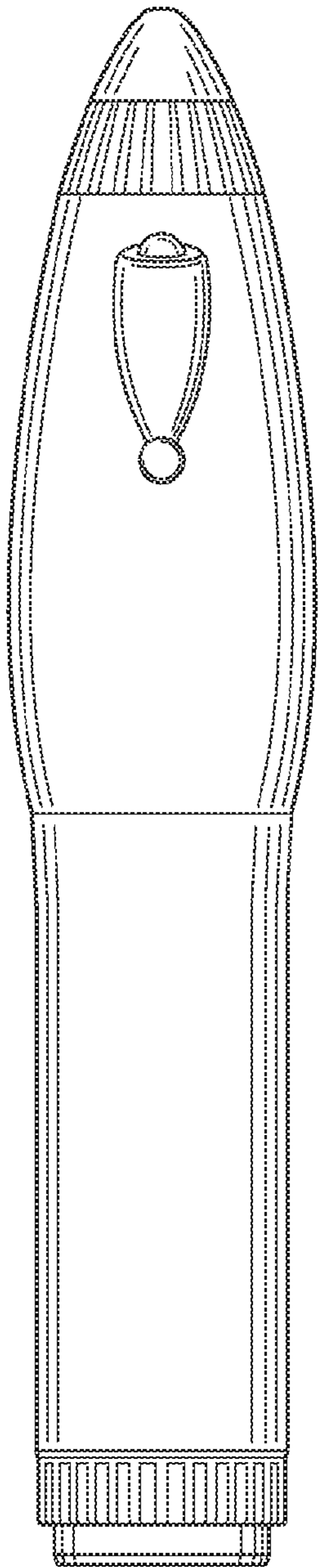


FIG. 2

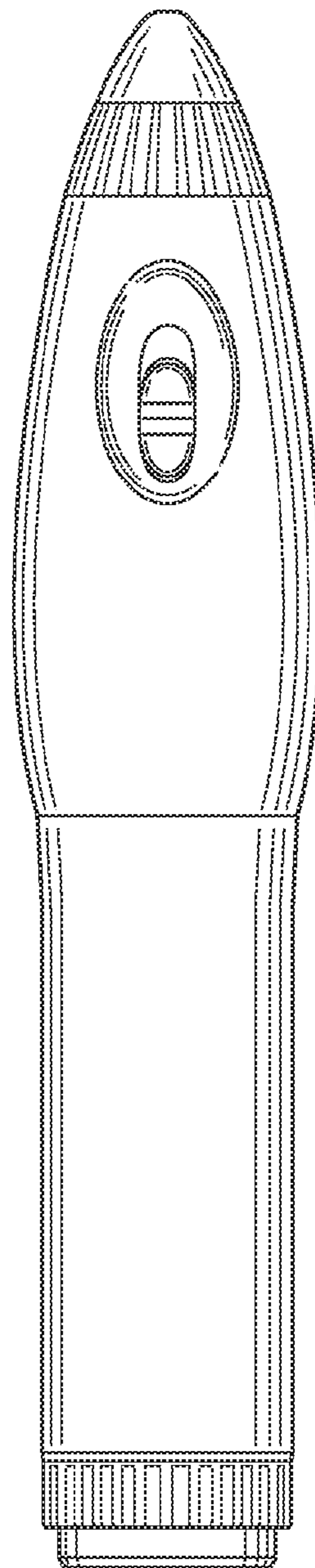


FIG. 3

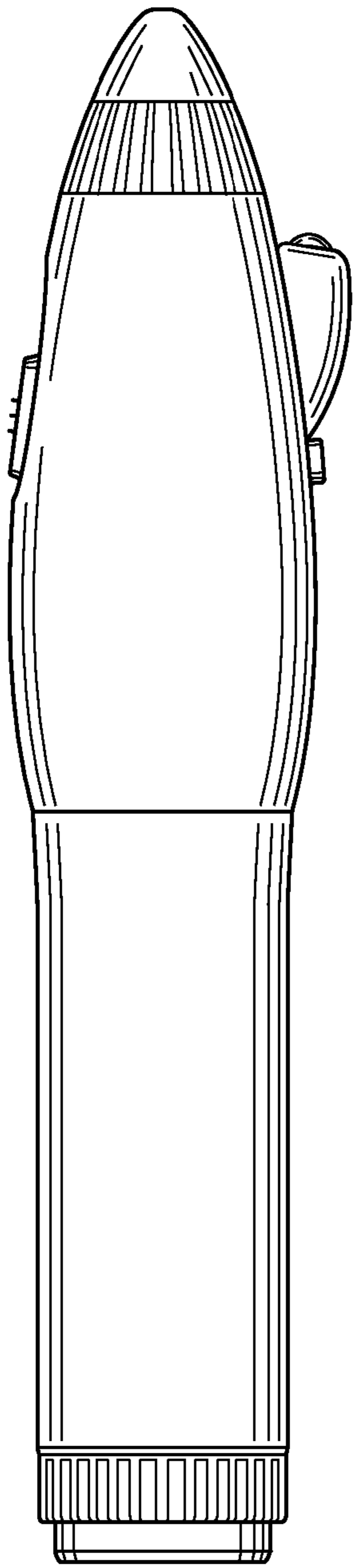


FIG. 4

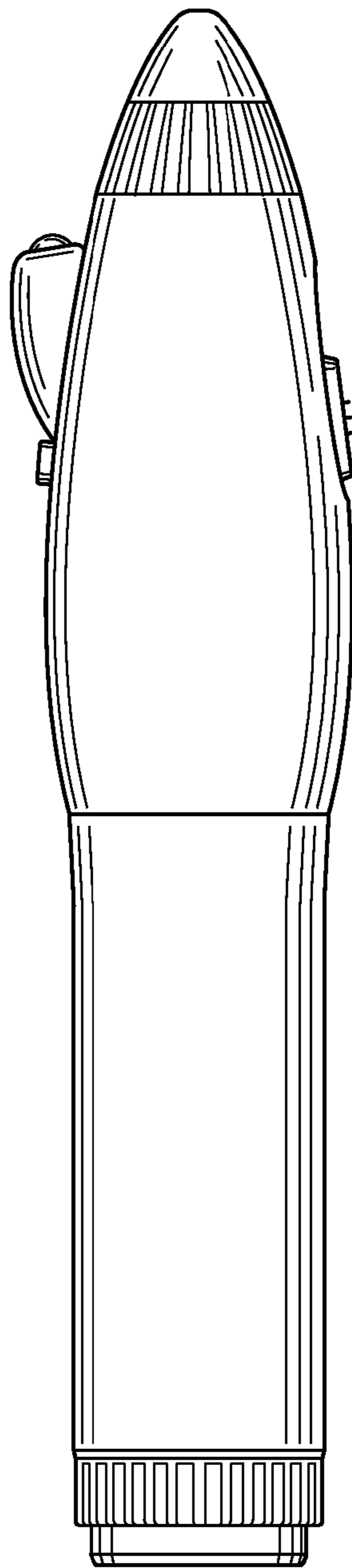


FIG. 5

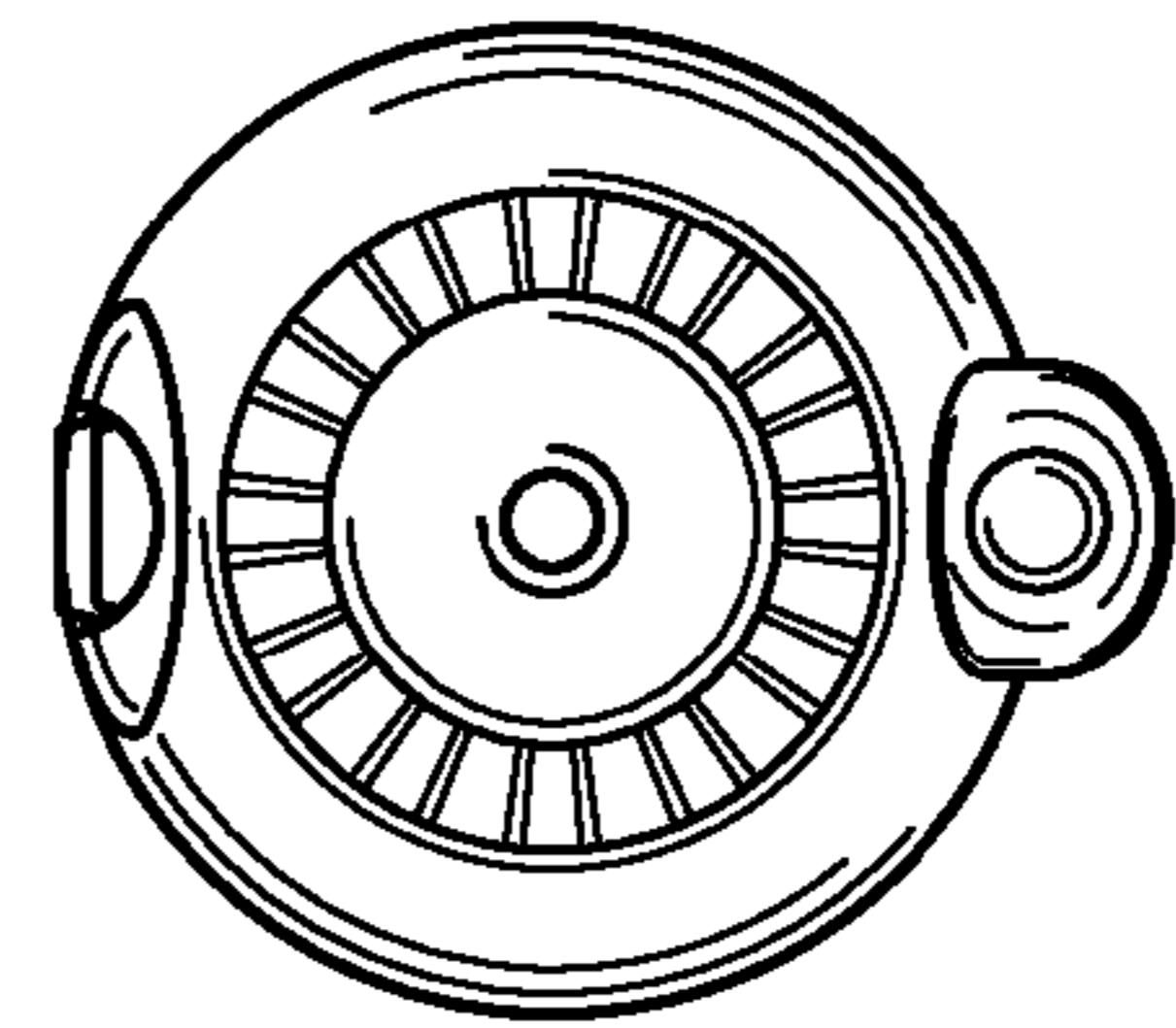


FIG. 6

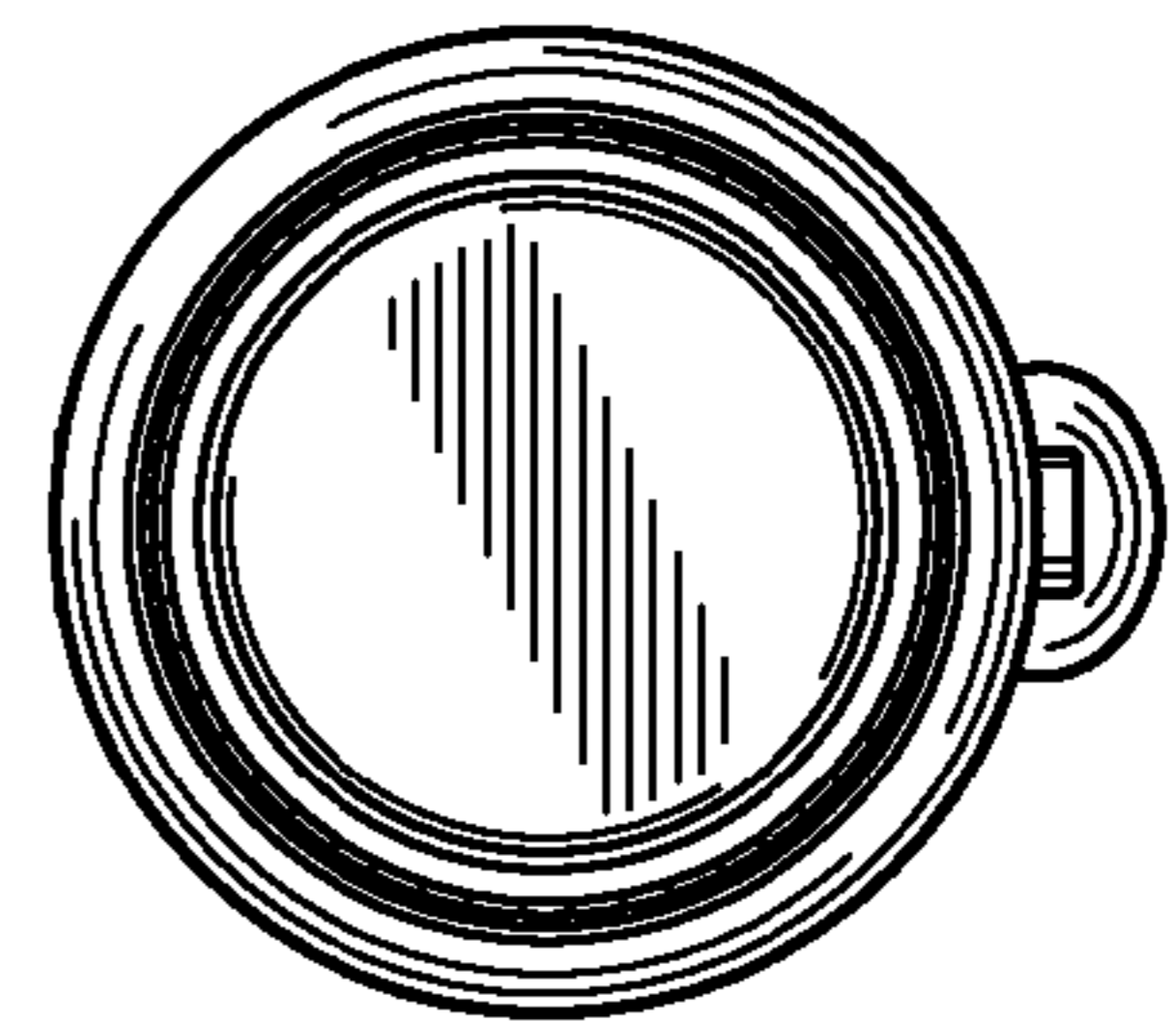


FIG. 7