



US00D640811S

(12) **United States Design Patent**
Peng

(10) **Patent No.:** **US D640,811 S**

(45) **Date of Patent:** **** *Jun. 28, 2011**

(54) **LED COMBINATION BOW LIGHT**

(76) Inventor: **I-Sin Peng**, Taichung (TW)

(*) Notice: This patent is subject to a terminal disclaimer.

(**) Term: **14 Years**

(21) Appl. No.: **29/335,264**

(22) Filed: **Apr. 12, 2009**

(51) **LOC (9) Cl.** **26-06**

(52) **U.S. Cl.** **D26/28**

(58) **Field of Classification Search** D26/28-36;
362/459-468, 475-478, 485-487
See application file for complete search history.

(56) **References Cited**

U.S. PATENT DOCUMENTS

D557,835 S	*	12/2007	Anderson	D26/28
D560,829 S	*	1/2008	Mason, II	D26/28
D590,967 S	*	4/2009	Huang	D26/28
D592,340 S	*	5/2009	Liao et al.	D26/60

D605,789 S	*	12/2009	Ko	D26/28
D619,741 S	*	7/2010	Beigel et al.	D26/28
D625,857 S	*	10/2010	Seymour	D26/28

* cited by examiner

Primary Examiner — Marcus Jackson

(74) *Attorney, Agent, or Firm* — Jackson IPG PLLC;
Demian K. Jackson

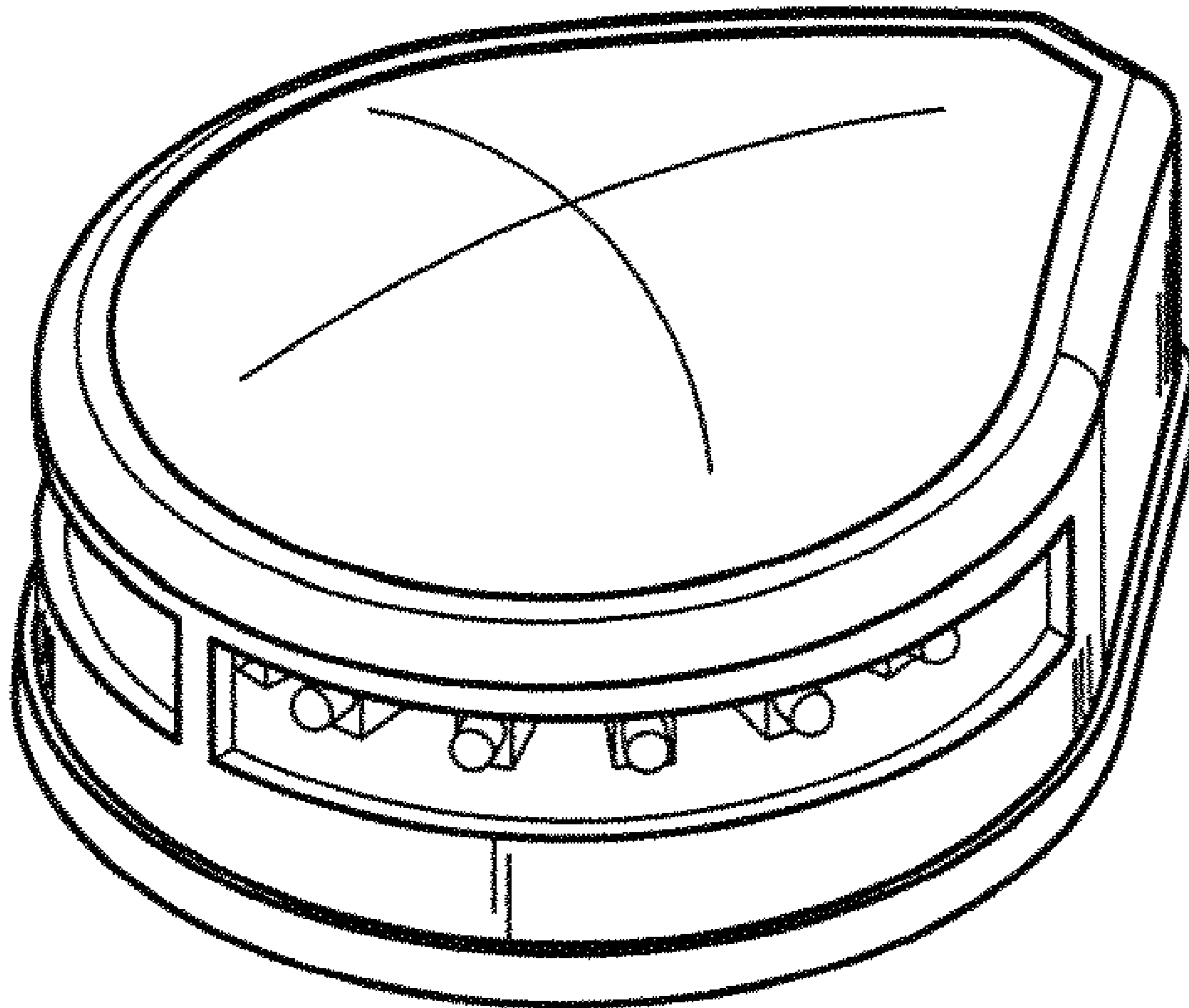
(57) **CLAIM**

The ornamental design for a LED combination bow light, as shown and described.

DESCRIPTION

FIG. 1 is a rear elevation view thereof;
FIG. 2 is a front elevation view thereof;
FIG. 3 is a left side view thereof, with the ends of the wire broken away to indicate indeterminate length;
FIG. 4 is a right side view thereof;
FIG. 5 is a top plan view thereof;
FIG. 6 is a bottom plan view thereof; and,
FIG. 7 is a perspective view of a LED combination bow light showing my new design.

1 Claim, 4 Drawing Sheets



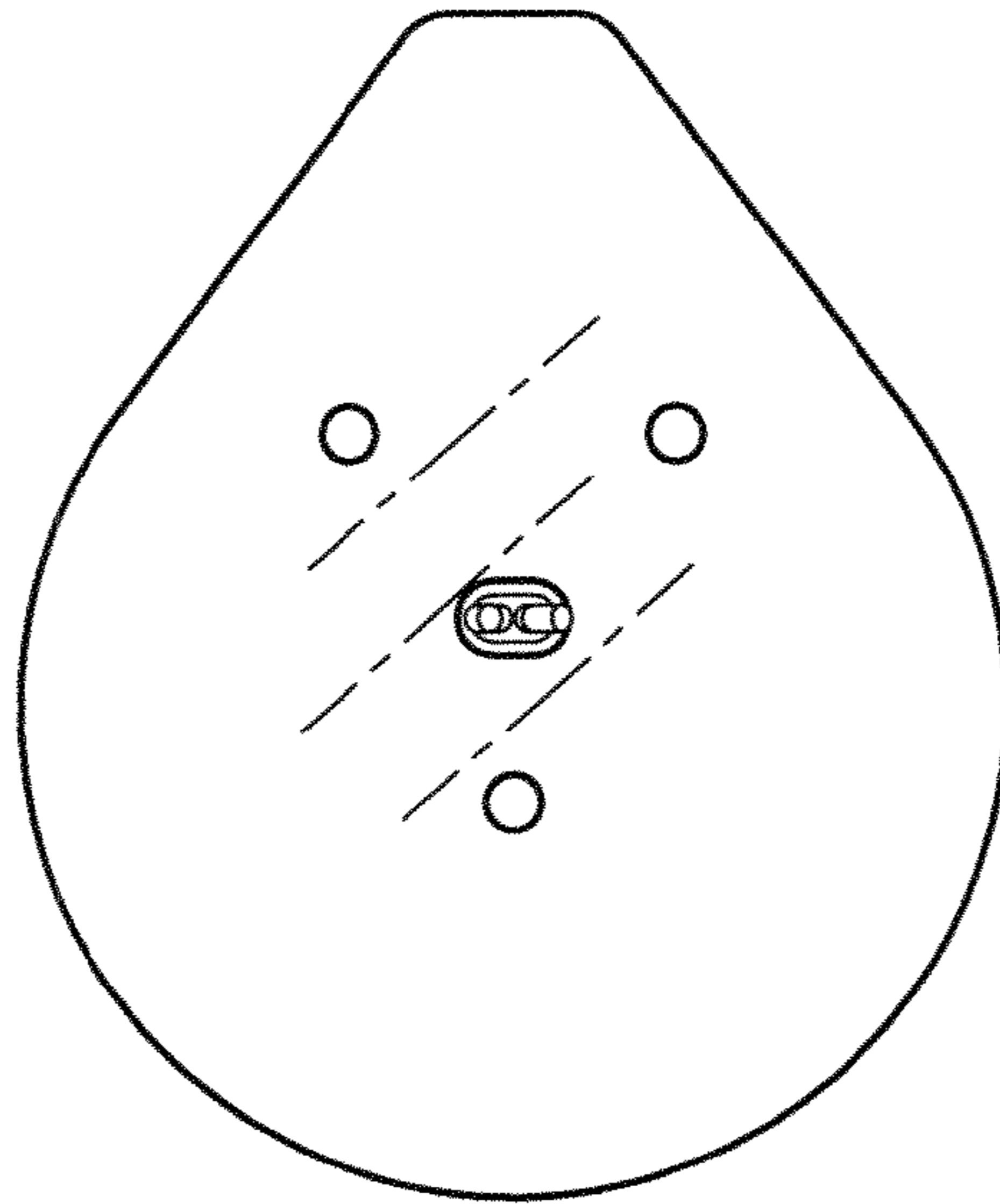


Fig. 1

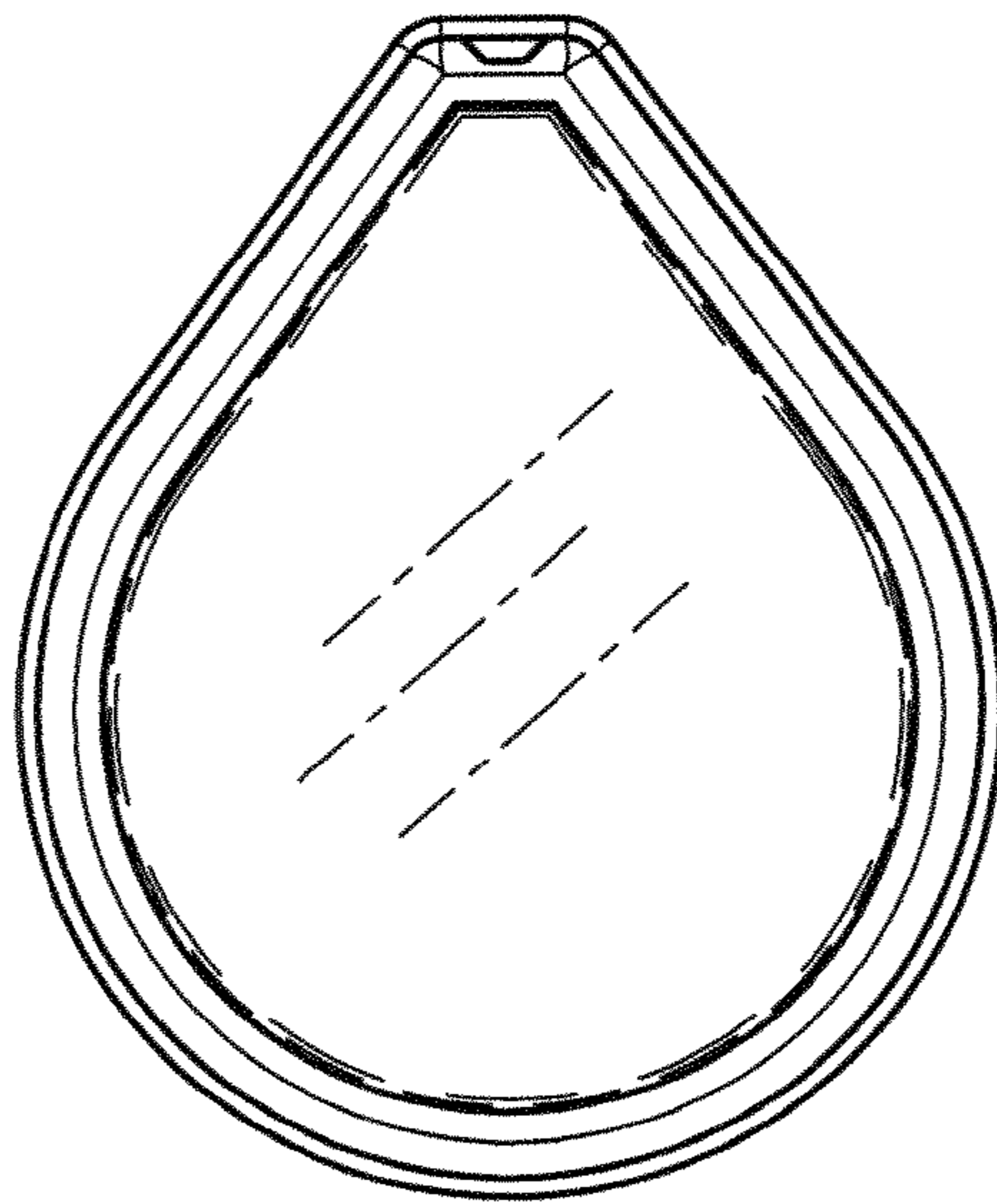


Fig. 2

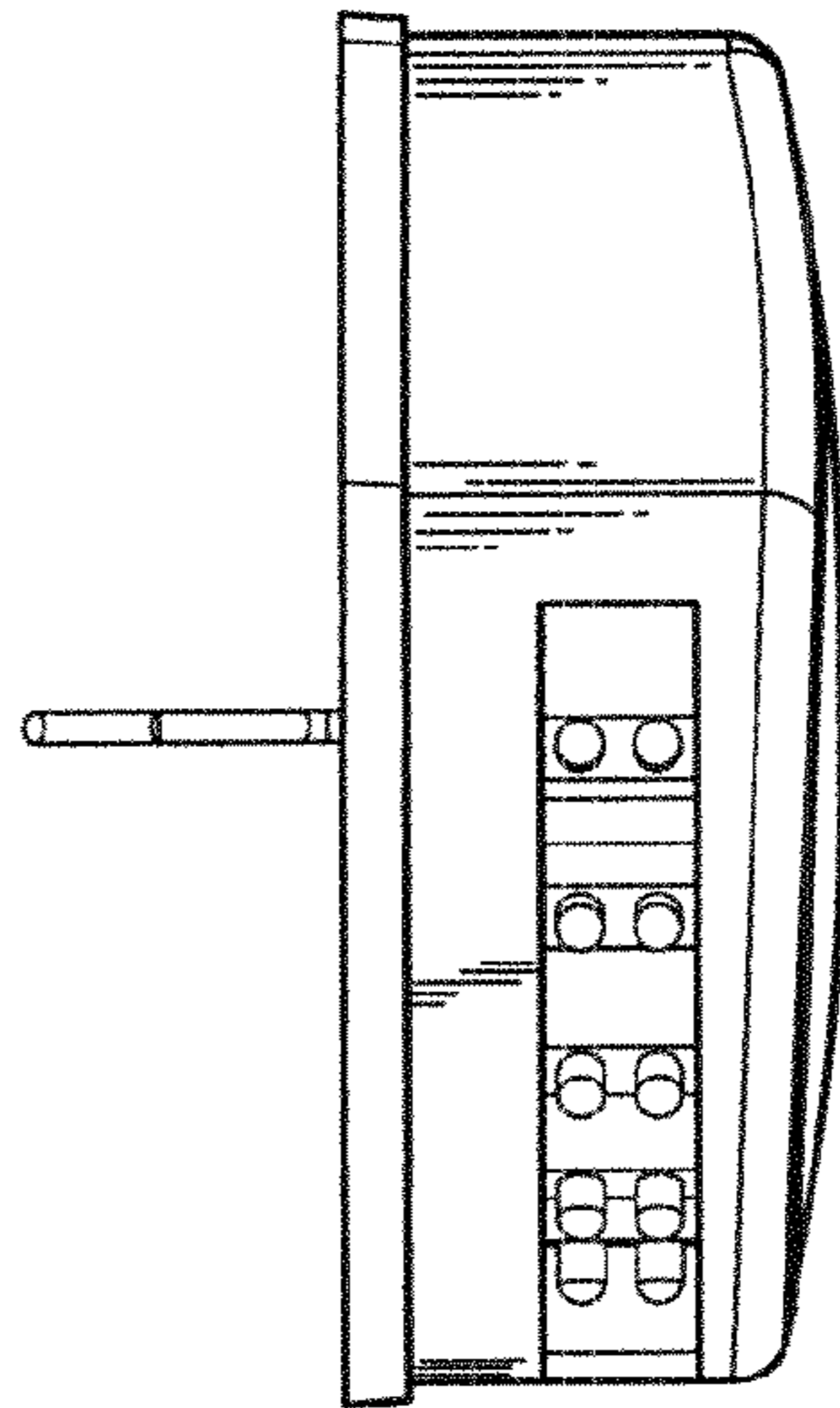


Fig. 3

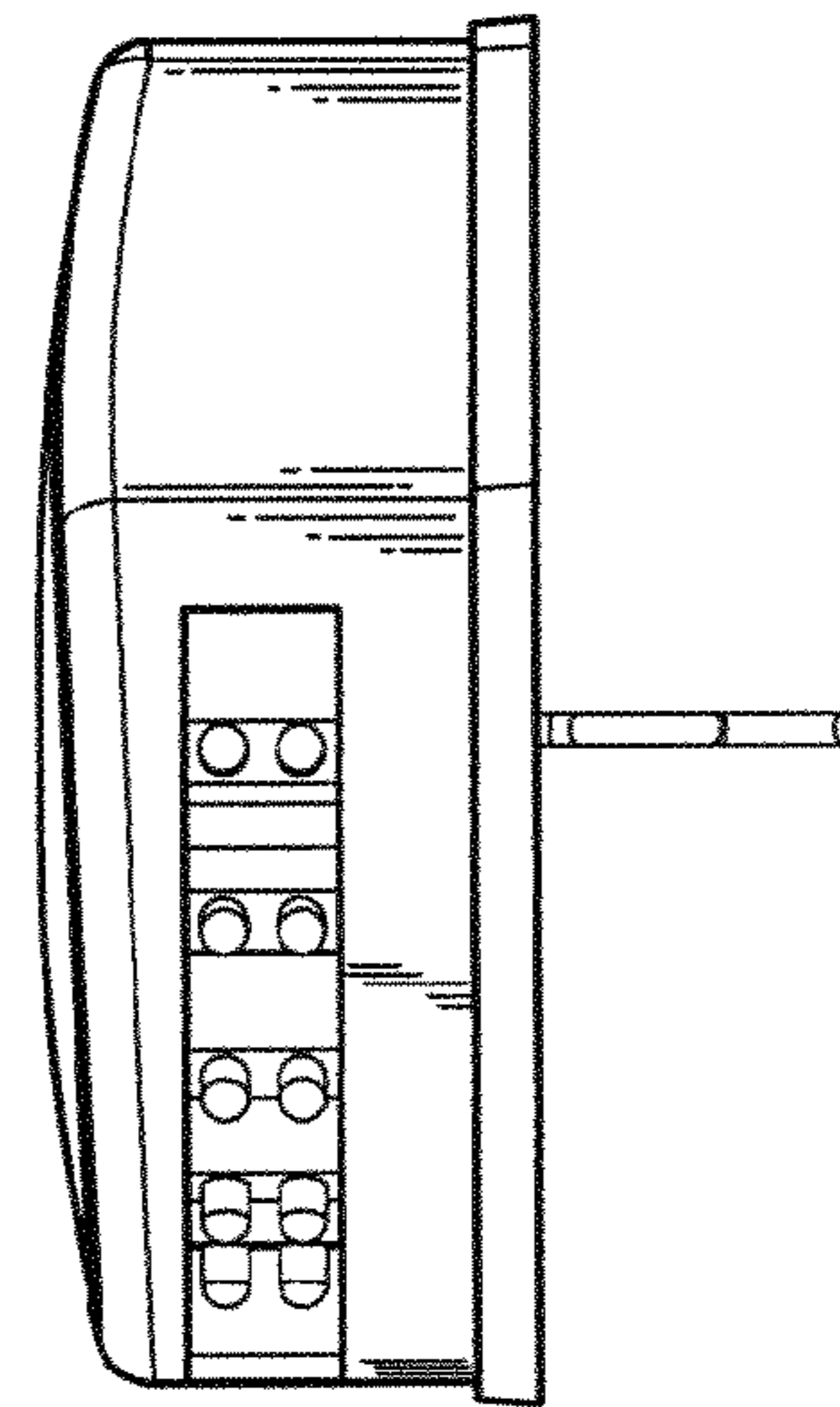


Fig. 4

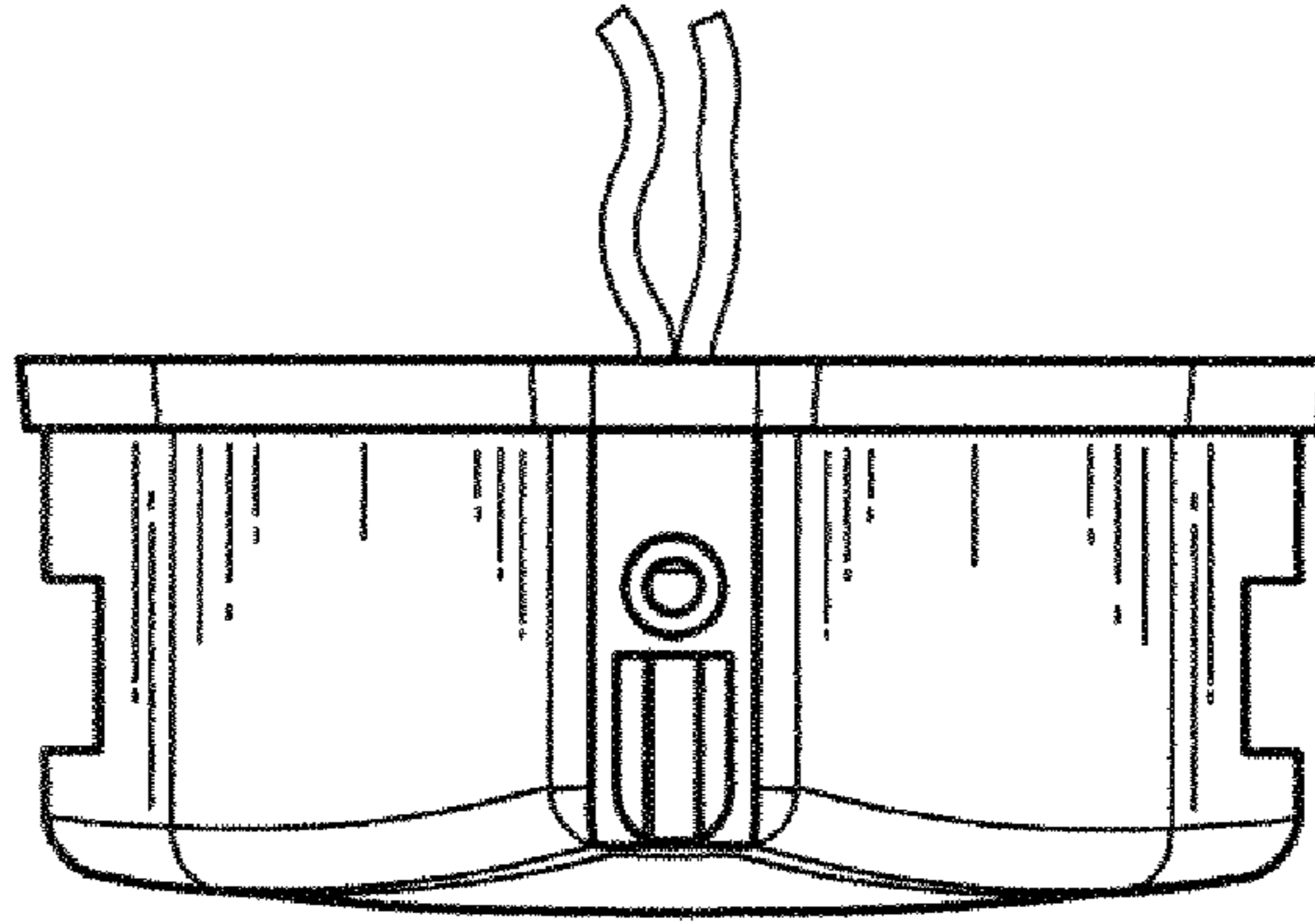


Fig. 5

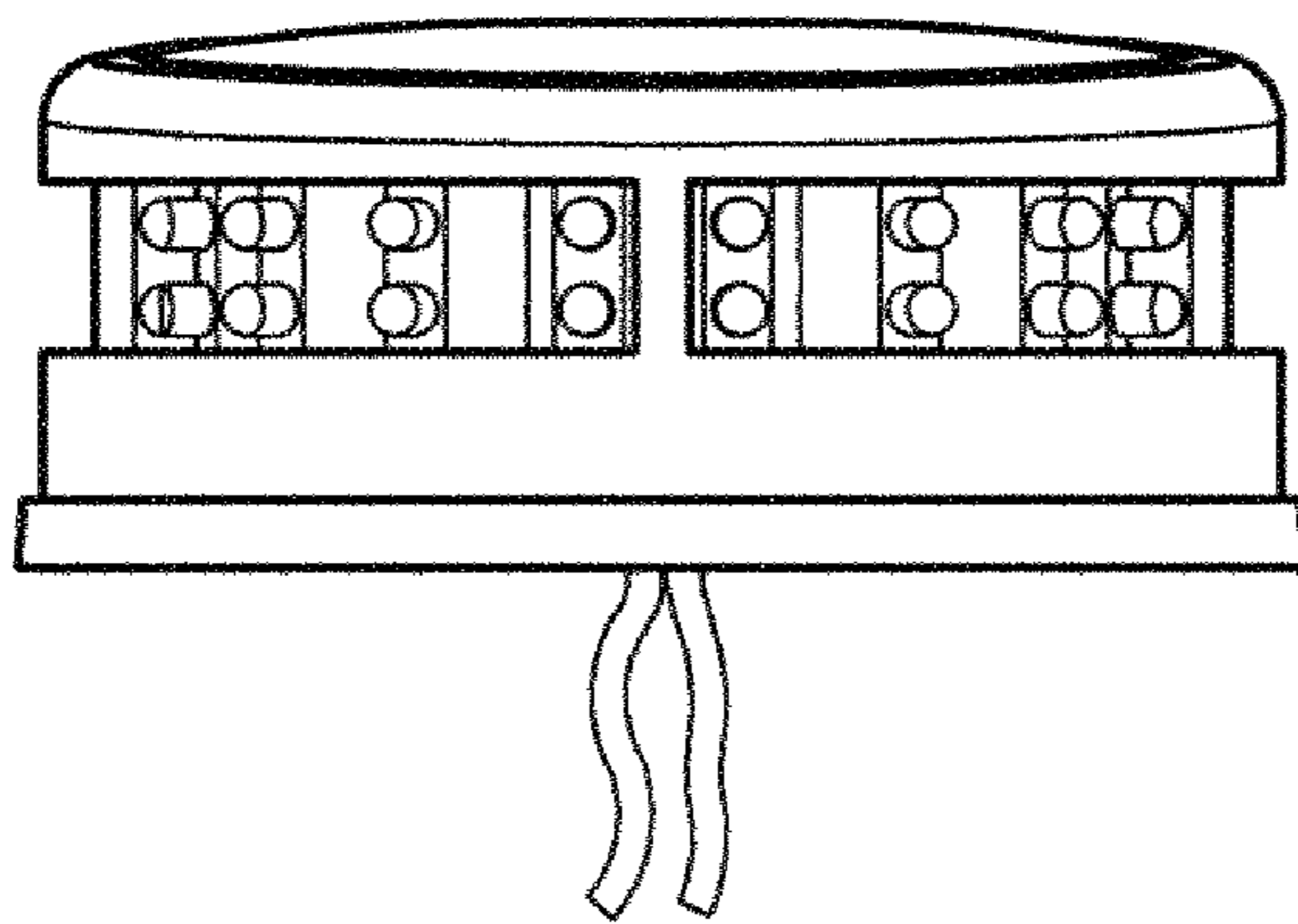


Fig. 6

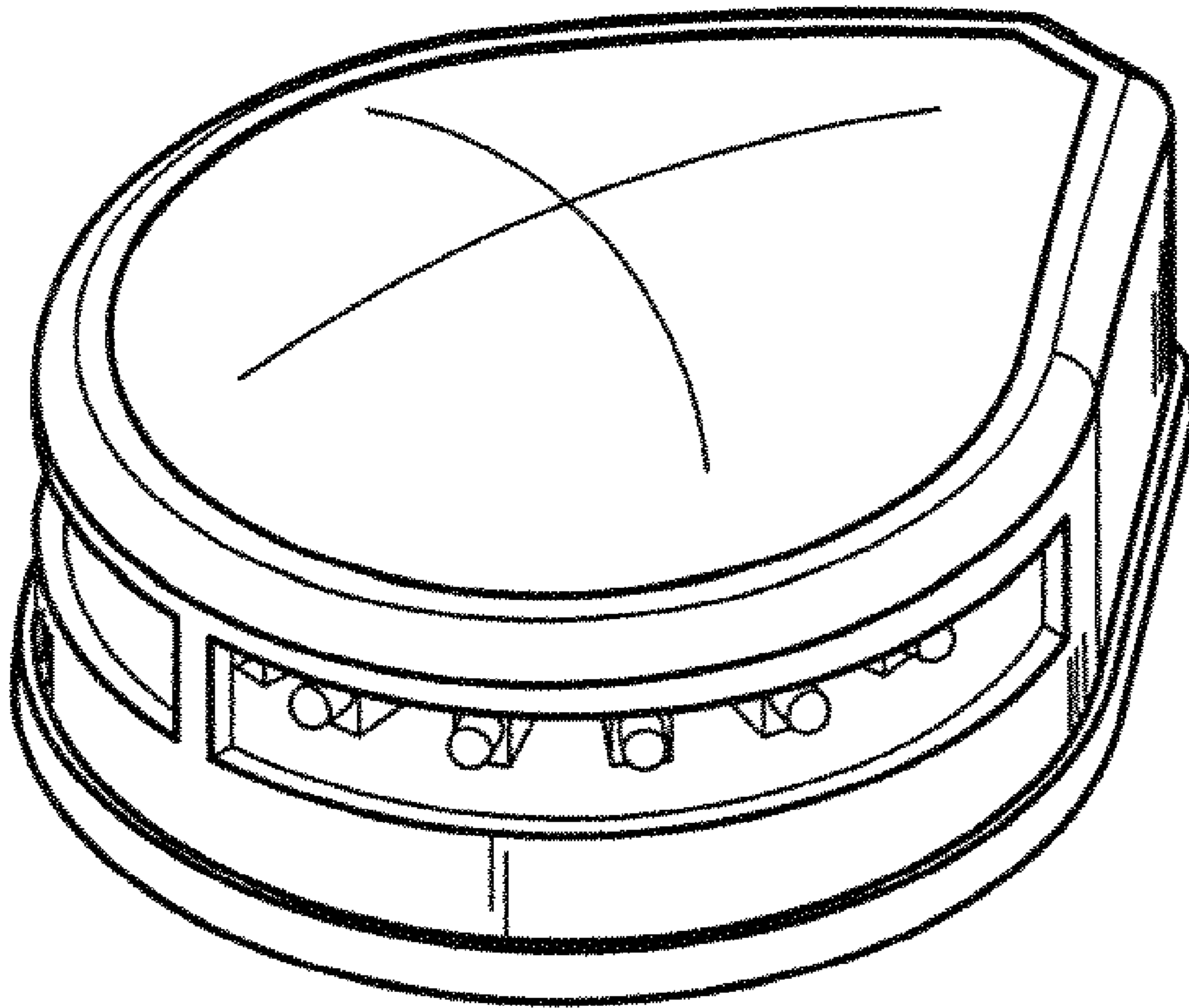


Fig. 7