



US00D640809S

(12) **United States Design Patent**  
**Weiser**

(10) **Patent No.:** **US D640,809 S**  
(45) **Date of Patent:** **\*\* Jun. 28, 2011**

(54) **BASEBALL NIGHT LIGHT ULTRASONIC PEST REPELLER**

(75) Inventor: **Margaret Weiser**, Chatsworth, CA (US)

(73) Assignee: **Exhart Environmental Systems, Inc.**, Chatsworth, CA (US)

(\*\*) Term: **14 Years**

(21) Appl. No.: **29/376,634**

(22) Filed: **Oct. 8, 2010**

(51) **LOC (9) Cl.** ..... **26-05**

(52) **U.S. Cl.** ..... **D26/26; D22/120**

(58) **Field of Classification Search** ..... D26/26,  
D26/24, 37, 38, 57, 73, 94, 98, 101; D10/110,  
D10/114; D22/120, 122, 123; D21/315,  
D21/318, 650, 712, 713, 780, 788; D11/119,  
D11/137, 139, 144, 162; 362/640, 641, 642,  
362/643, 644, 652, 653, 657, 658, 659, 563,  
362/567, 122, 124, 183, 805, 806

See application file for complete search history.

(56) **References Cited**

**U.S. PATENT DOCUMENTS**

5,080,359	A *	1/1992	Thill	473/570
D368,975	S *	4/1996	Schwartz	D26/94
D387,465	S *	12/1997	Copland et al.	D26/94
D423,698	S *	4/2000	Yuen	D26/26
D458,395	S *	6/2002	Piepgras et al.	D26/26
D459,504	S *	6/2002	Chen	D26/26
D497,681	S *	10/2004	Donnelly et al.	D26/26
D523,569	S *	6/2006	Funck et al.	D26/26
D575,433	S *	8/2008	Nunes	D26/73
D575,436	S *	8/2008	Nunes	D26/73

D607,675	S *	1/2010	Lochen	D6/515
D630,689	S *	1/2011	Tsutsui	D21/713
2009/0213582	A1 *	8/2009	Thomas	362/183

**OTHER PUBLICATIONS**

Betty's Christmas House, Jan. 24, 2009, <http://replay.waybackmachine.org/20090124233854/http://bettyschristmashouse.com/holiday/sports.htm>, viewed on Apr. 18, 2011.\*

\* cited by examiner

*Primary Examiner* — Angela Lee

(74) *Attorney, Agent, or Firm* — Cislo & Thomas, LLP

(57) **CLAIM**

The ornamental design for a baseball night light ultrasonic pest repeller, as shown and described.

**DESCRIPTION**

FIG. 1 is a perspective view of the baseball night light ultrasonic pest repeller.

FIG. 2 is a front view of the baseball night light ultrasonic pest repeller.

FIG. 3 is a rear view of the baseball night light ultrasonic pest repeller.

FIG. 4 is a right side view of the baseball night light ultrasonic pest repeller.

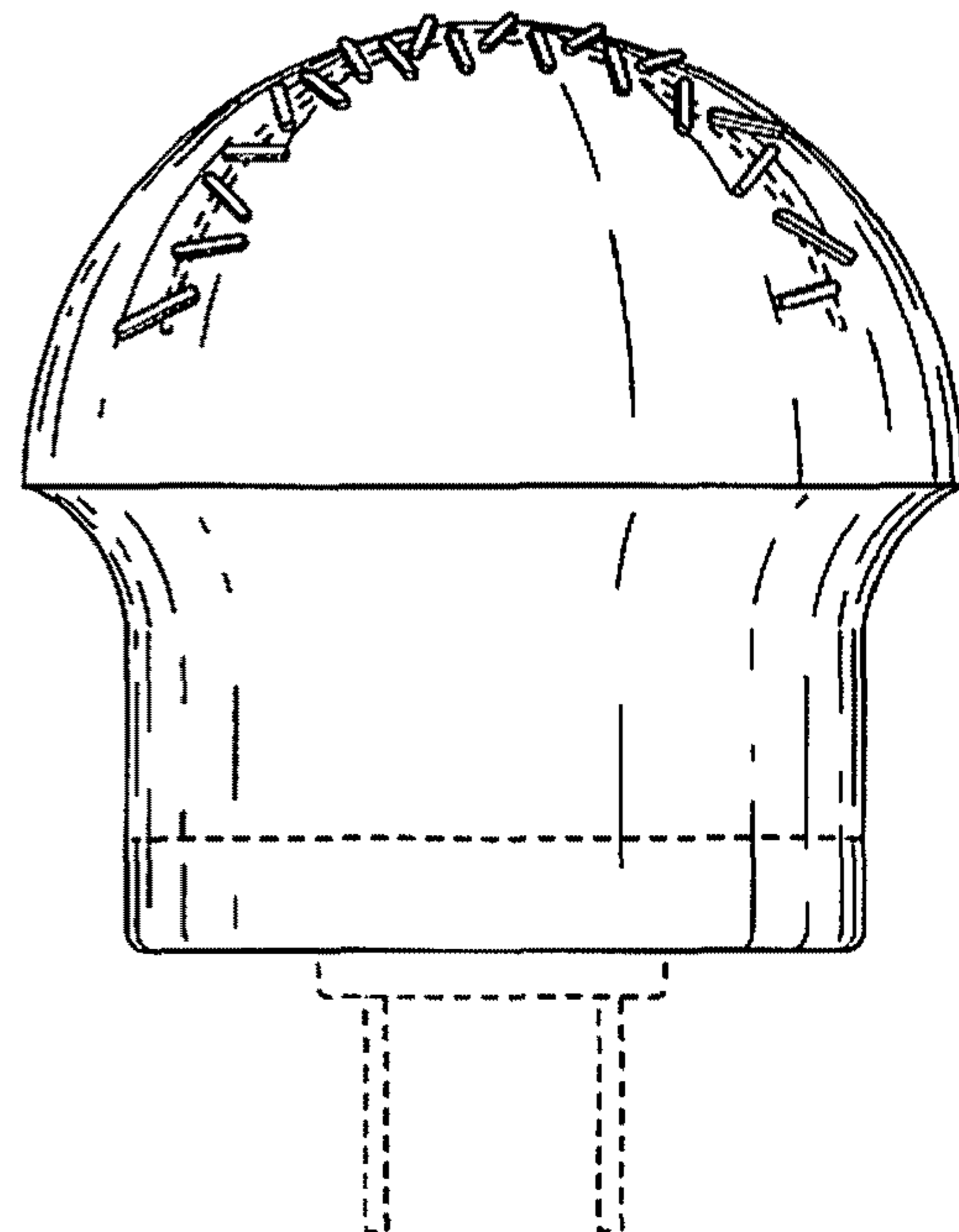
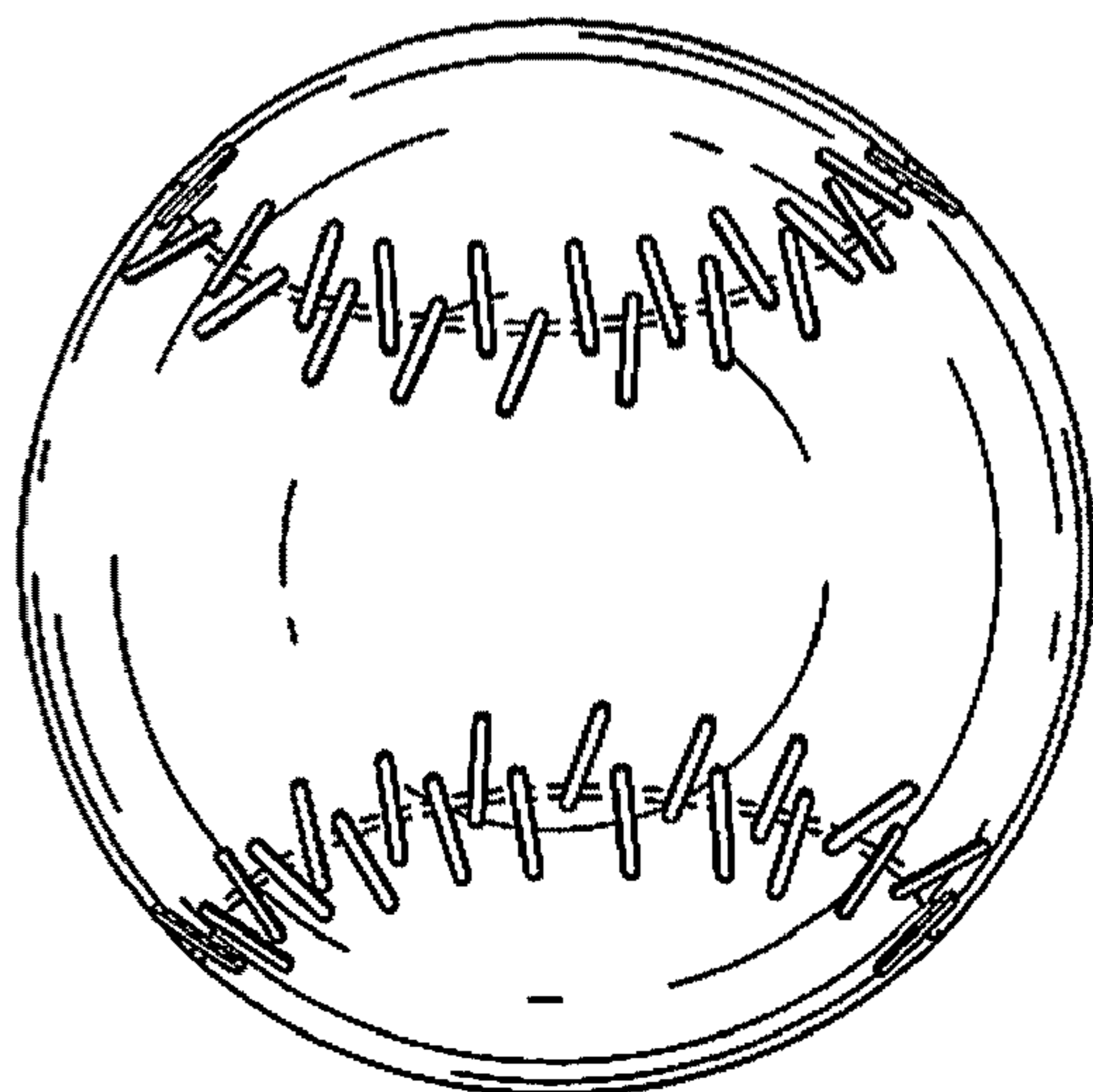
FIG. 5 is a left side view of the baseball night light ultrasonic pest repeller.

FIG. 6 is a top view of the baseball night light ultrasonic pest repeller; and,

FIG. 7 is a bottom view of the baseball night light ultrasonic pest repeller.

The portions of the night light shown in broken lines form no part of the claimed design.

**1 Claim, 2 Drawing Sheets**



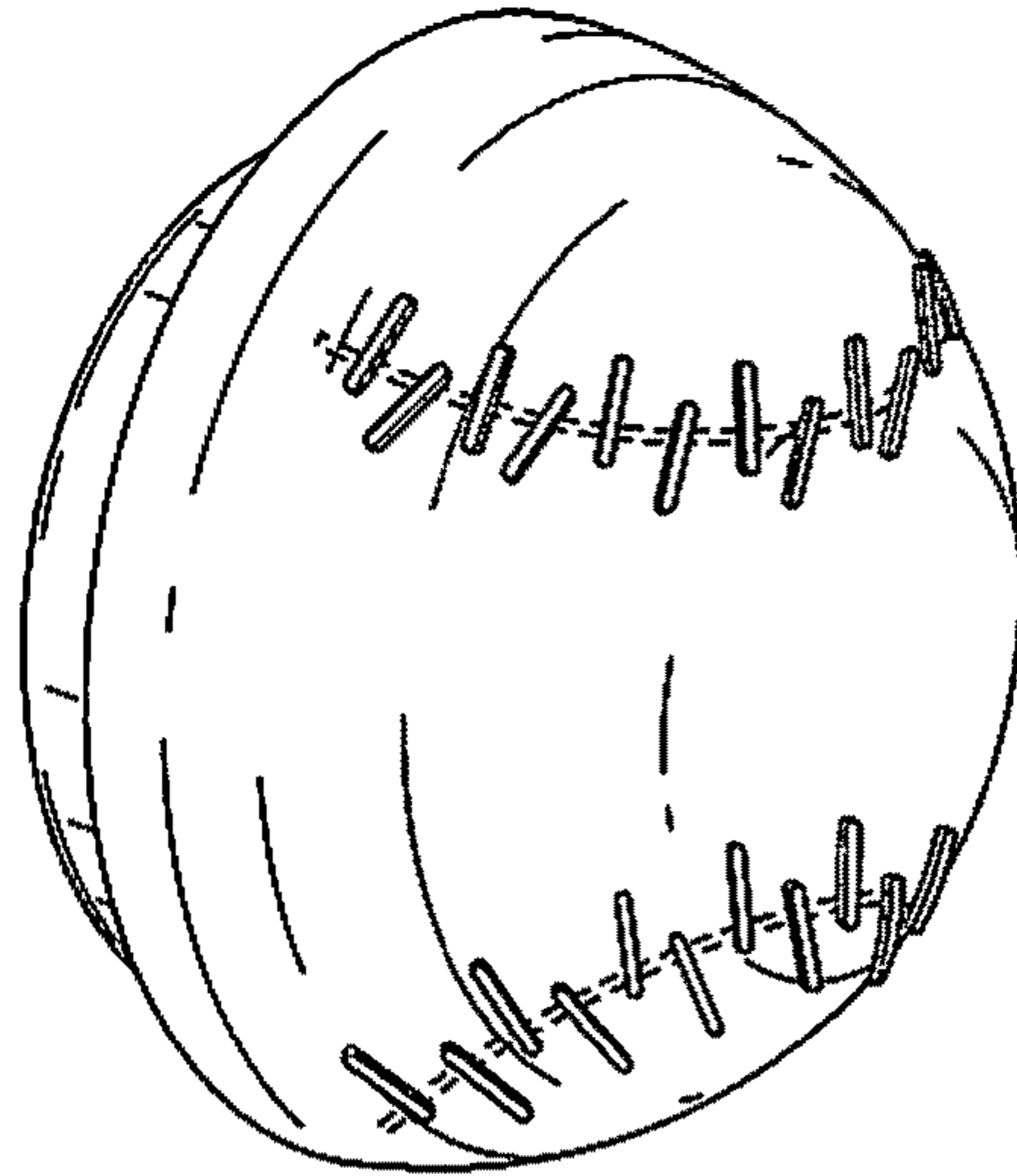


Fig. 1

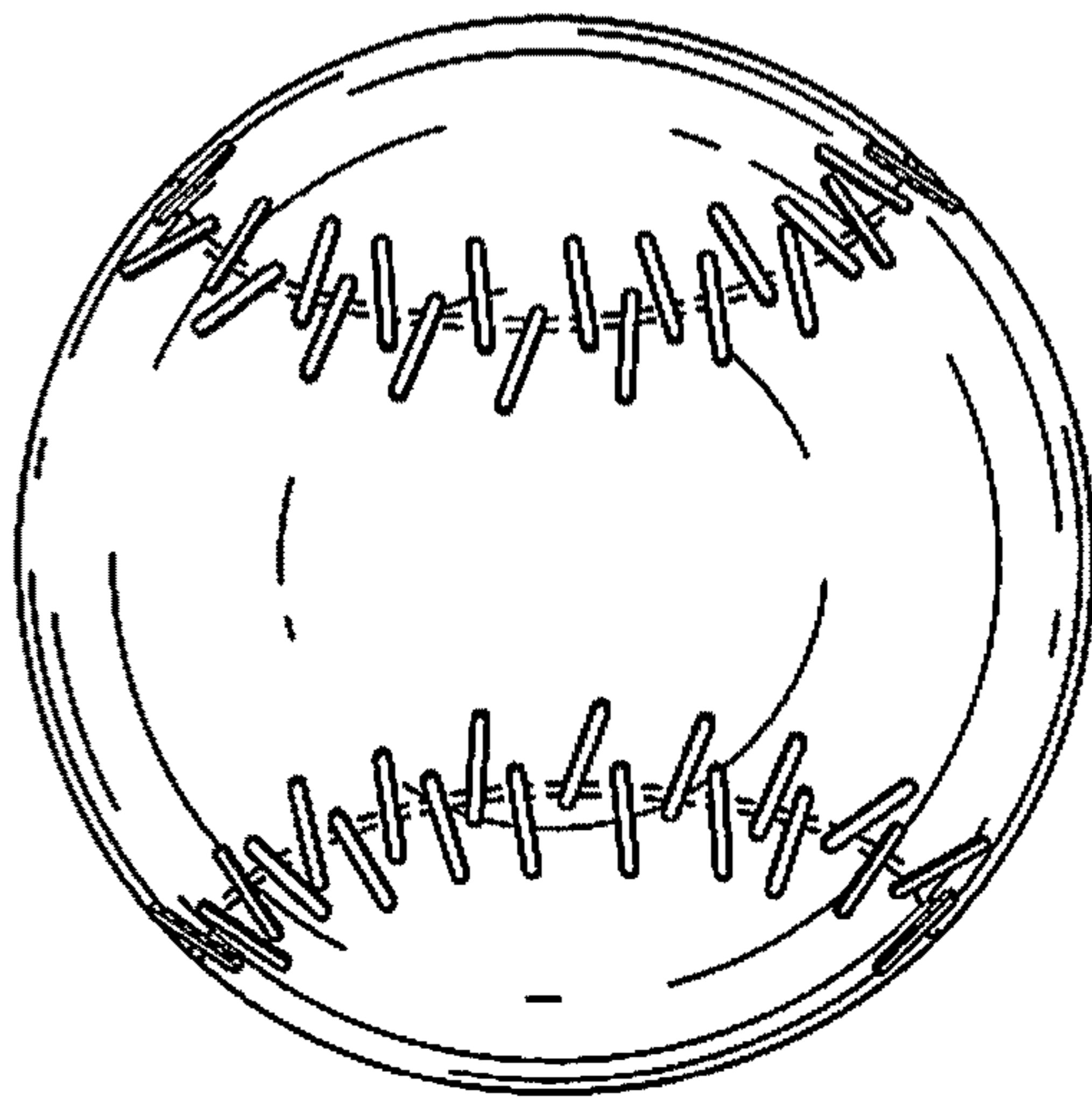


Fig. 2

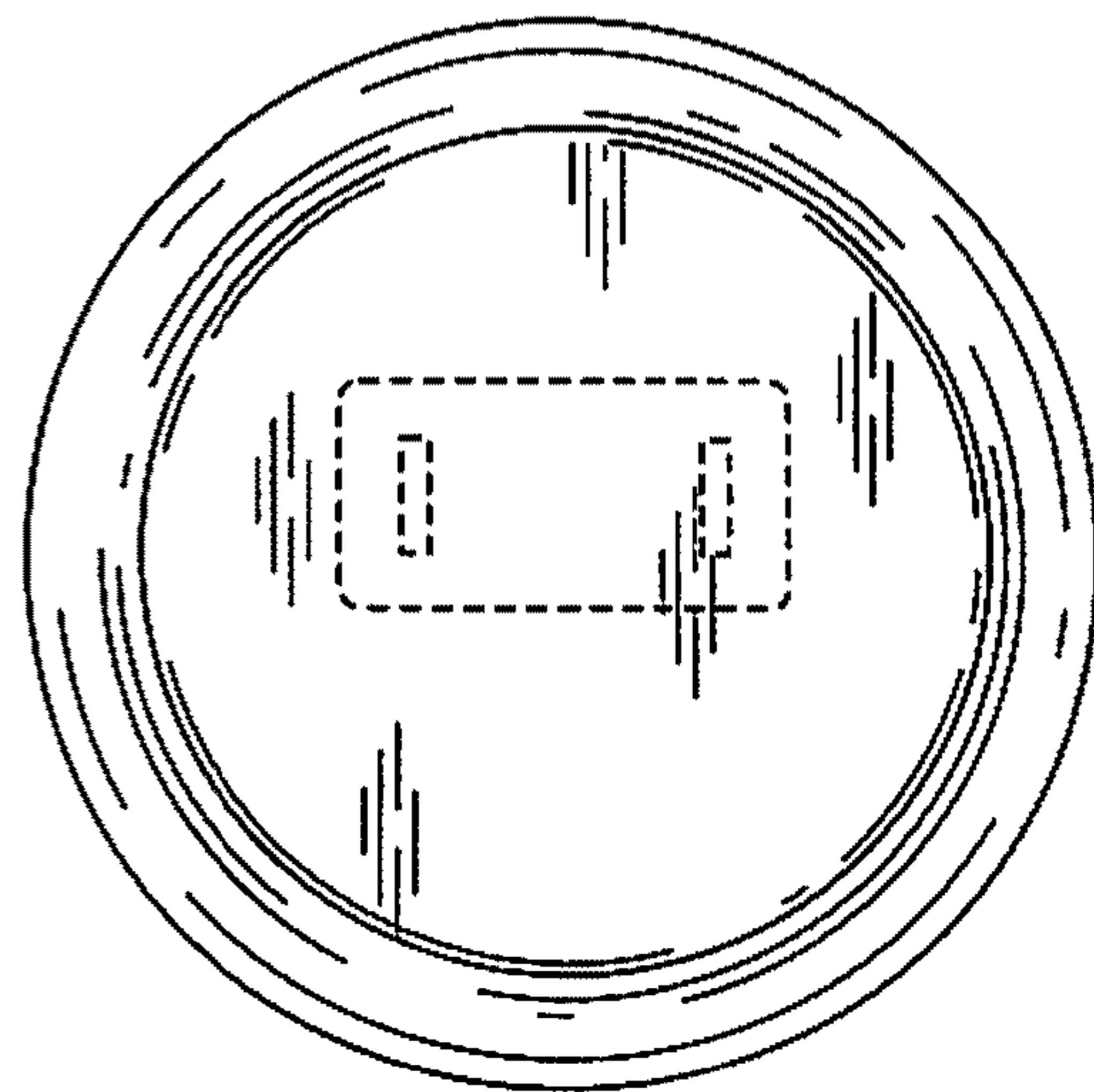


Fig. 3

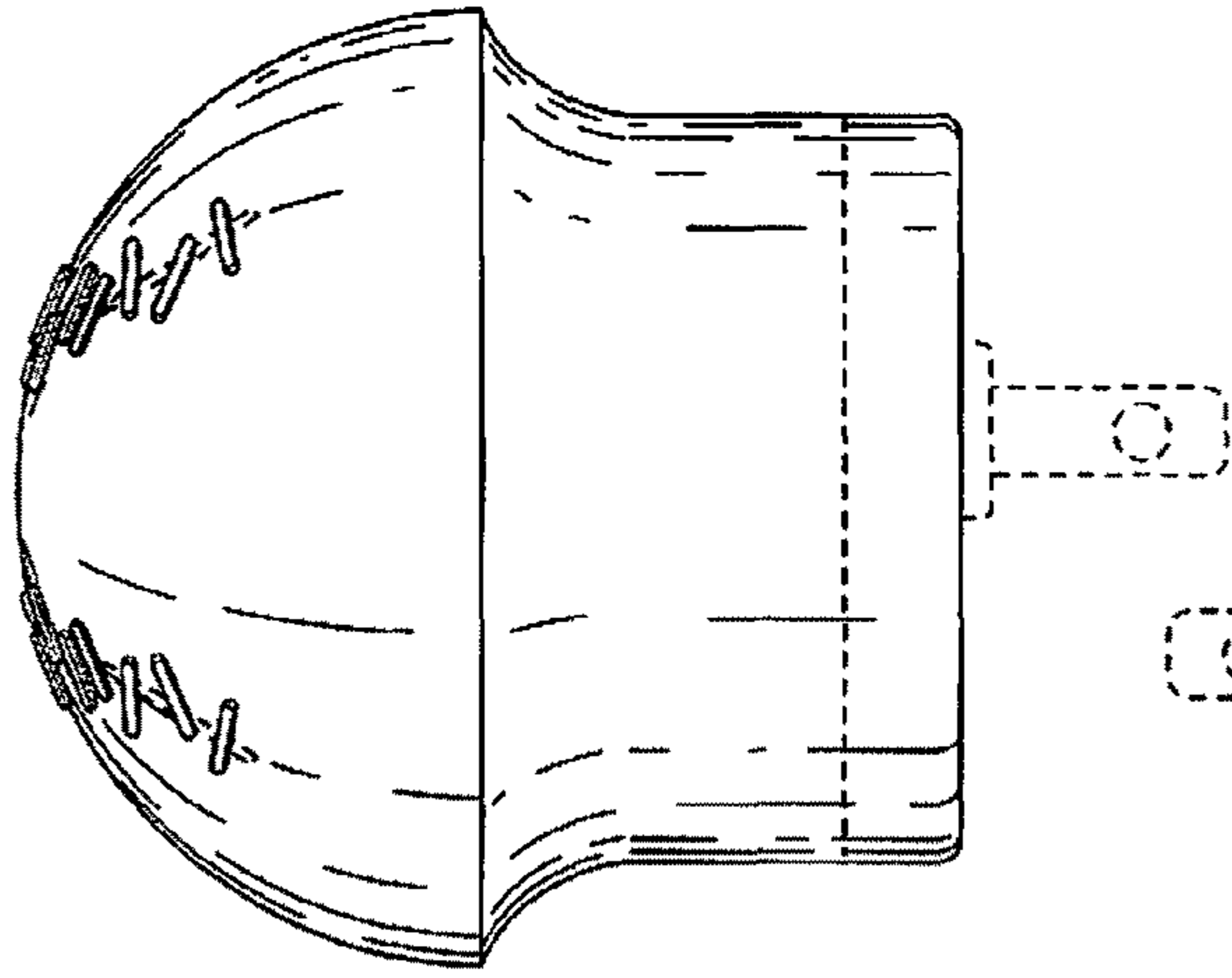


Fig. 4

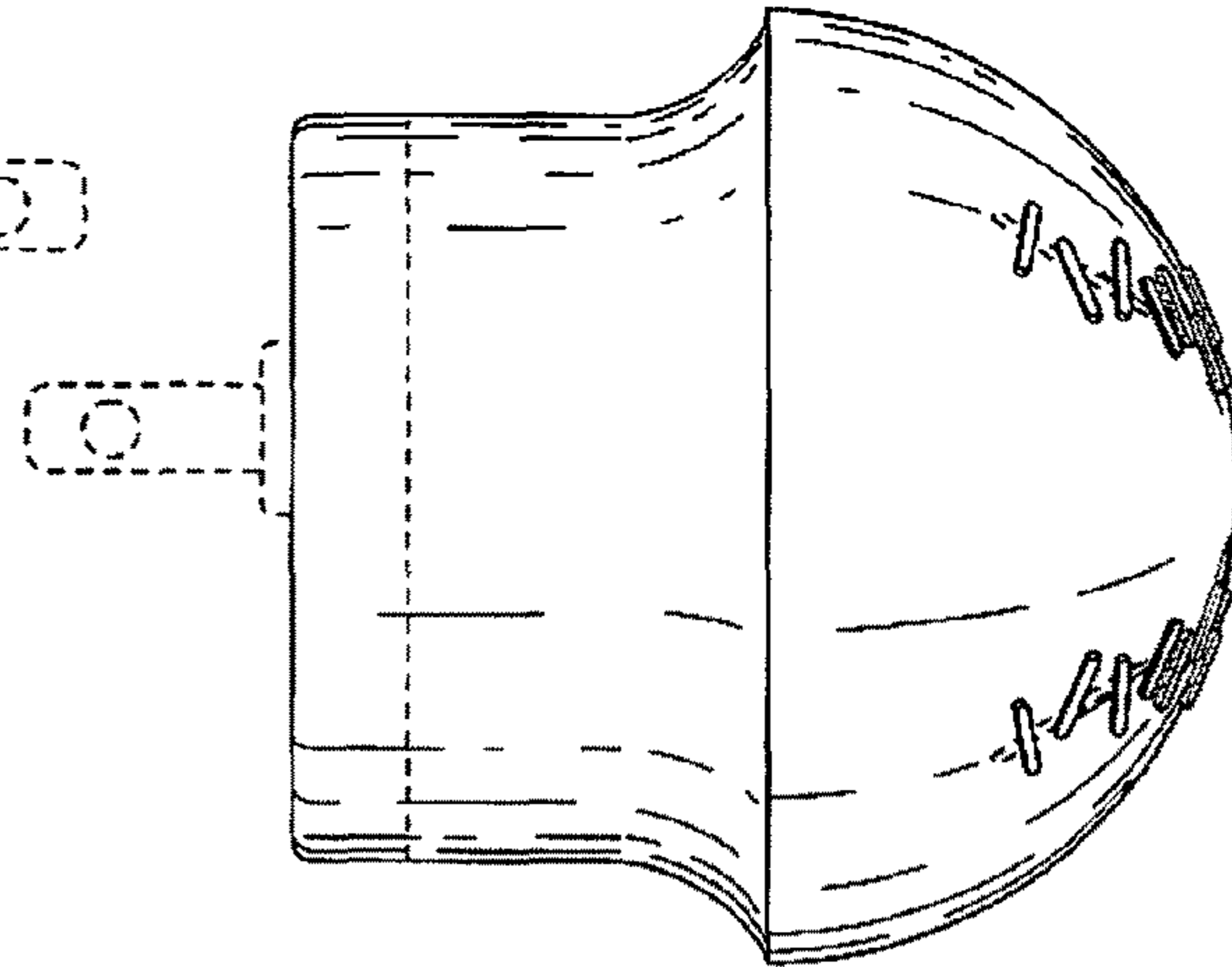


Fig. 5

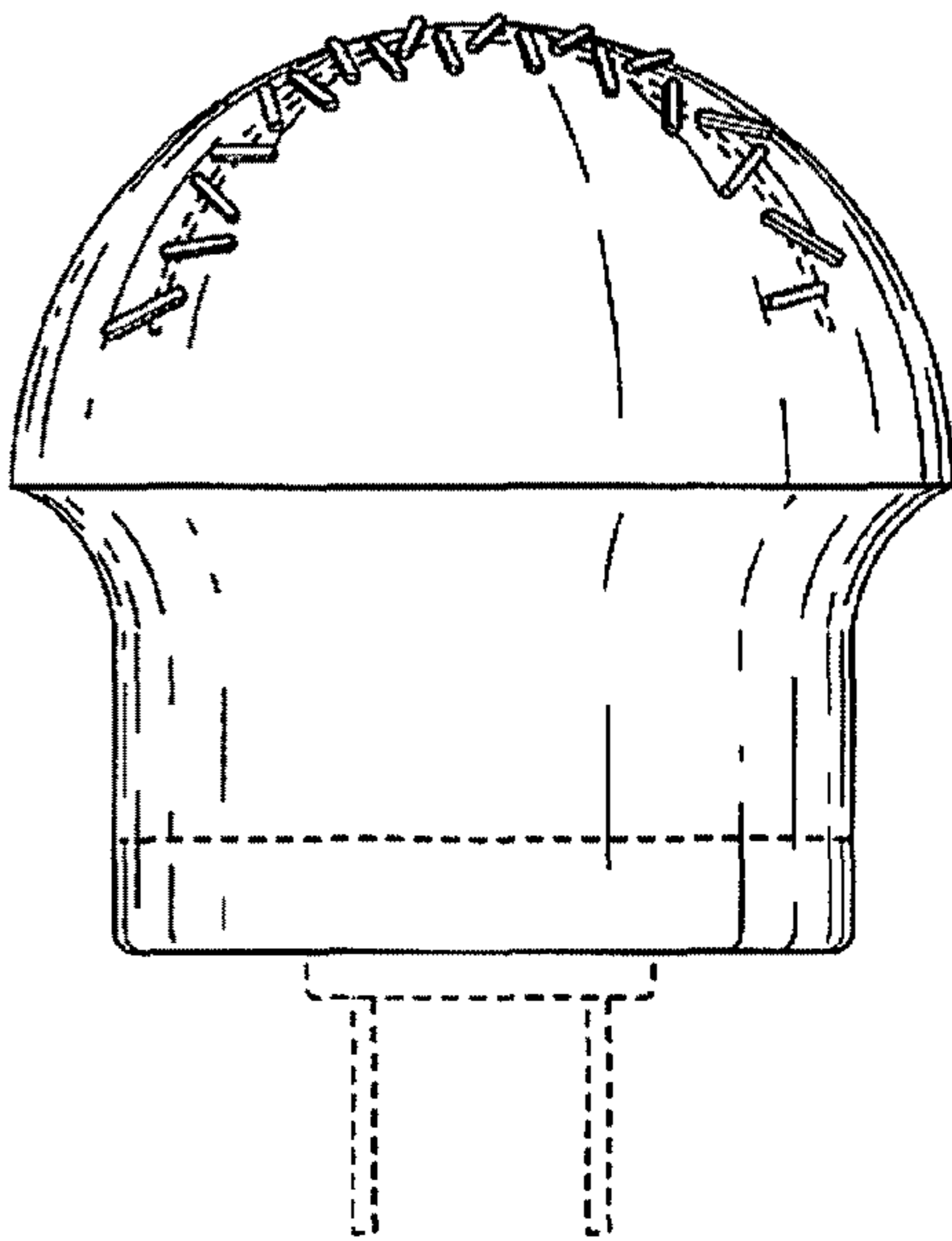


Fig. 6

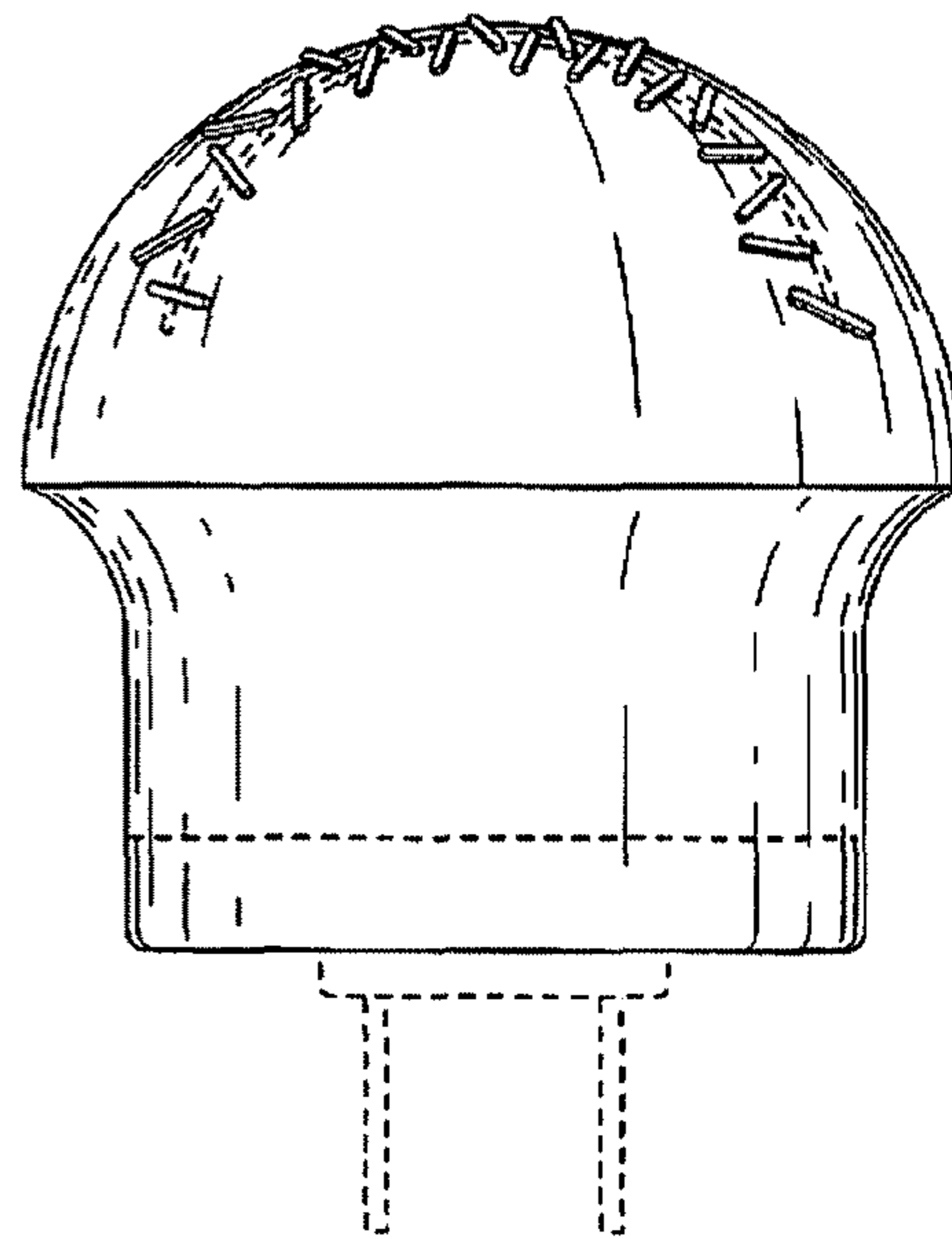


Fig. 7