



US00D640807S

(12) **United States Design Patent**  
**Weiser**

(10) **Patent No.:** **US D640,807 S**  
(45) **Date of Patent:** **\*\* Jun. 28, 2011**

(54) **LADYBUG NIGHT LIGHT ULTRASONIC PEST REPELLER**

(75) Inventor: **Margaret Weiser**, Chatsworth, CA (US)

(73) Assignee: **Exhart Environmental Systems, Inc.**, Chatsworth, CA (US)

(\*\*) Term: **14 Years**

(21) Appl. No.: **29/376,628**

(22) Filed: **Oct. 8, 2010**

(51) **LOC (9) Cl.** ..... **26-05**

(52) **U.S. Cl.** ..... **D26/26; D22/120**

(58) **Field of Classification Search** ..... D26/26,  
D26/24, 37, 38, 57, 73, 94, 98, 101; D10/110,  
D10/114; D22/120, 122, 123; D21/315,  
D21/318, 650, 712, 713, 780, 788; D11/119,  
D11/137, 139, 144, 162; 362/640, 641, 642,  
362/643, 644, 652, 653, 657, 658, 659, 563,  
362/567, 122, 124, 183, 805, 806

See application file for complete search history.

(56) **References Cited**

U.S. PATENT DOCUMENTS

D226,614 S *	4/1973	Stauffer	.....	D11/158
D408,275 S *	4/1999	Terrasi	.....	D9/630
D459,502 S *	6/2002	Chen	.....	D26/26
D459,503 S *	6/2002	Chen	.....	D26/26
D460,202 S *	7/2002	Stekelenburg	.....	D26/26
D474,851 S *	5/2003	Yu	.....	D26/26
D483,768 S *	12/2003	Shah	.....	D14/454
D507,360 S *	7/2005	Yuen	.....	D26/26
D512,137 S *	11/2005	Chen	.....	D23/367

D617,925 S *	6/2010	Coushaine et al.	.....	D26/37
D627,152 S *	11/2010	Williams et al.	.....	D3/203.3
2004/0095751 A1 *	5/2004	Pan	.....	362/124

FOREIGN PATENT DOCUMENTS

EM 001057376-0001 \* 1/2009

\* cited by examiner

*Primary Examiner* — Angela Lee

(74) *Attorney, Agent, or Firm* — Cislo & Thomas, LLP

(57) **CLAIM**

The ornamental design for a ladybug night light ultrasonic pest repeller, as shown and described.

**DESCRIPTION**

FIG. 1 is a perspective view of the ladybug night light ultrasonic pest repeller.

FIG. 2 is a front view of the ladybug night light ultrasonic pest repeller.

FIG. 3 is a rear view of the ladybug night light ultrasonic pest repeller.

FIG. 4 is a right side view of the ladybug night light ultrasonic pest repeller.

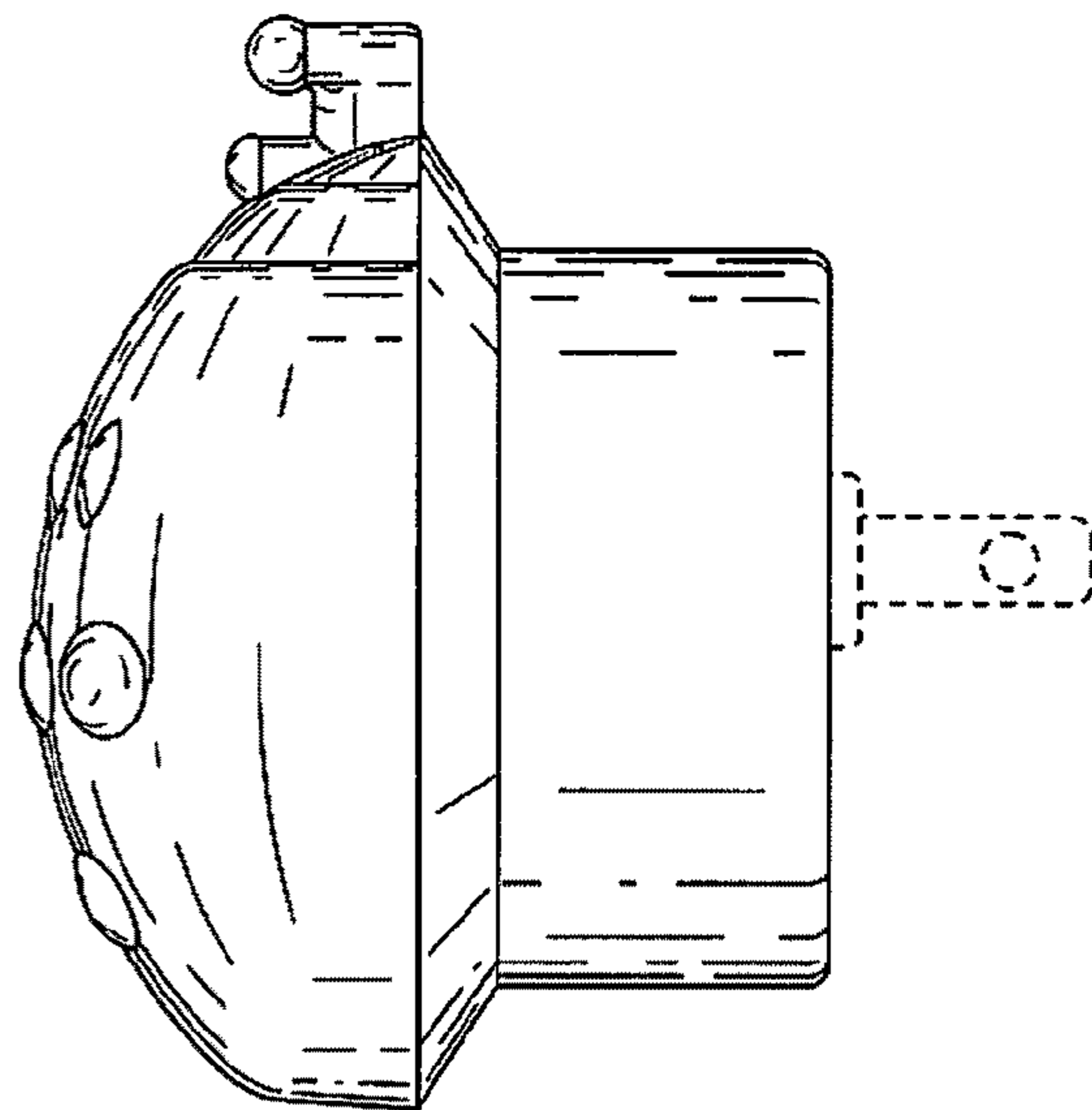
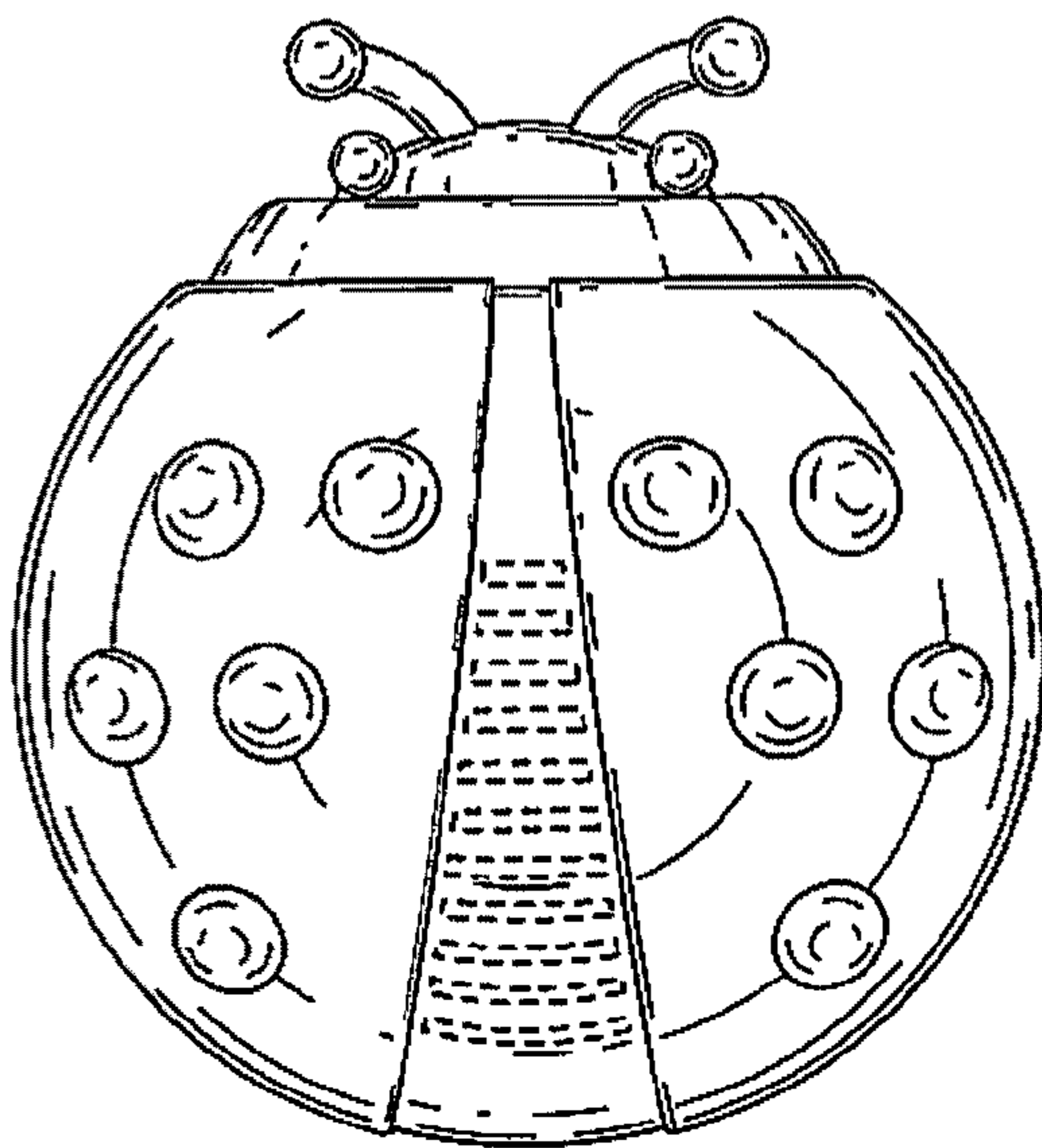
FIG. 5 is a left side view of the ladybug night light ultrasonic pest repeller.

FIG. 6 is a top view of the ladybug night light ultrasonic pest repeller; and,

FIG. 7 is a bottom view of the ladybug night light ultrasonic pest repeller.

The portions of the night light shown in broken lines form no part of the claimed design.

**1 Claim, 2 Drawing Sheets**



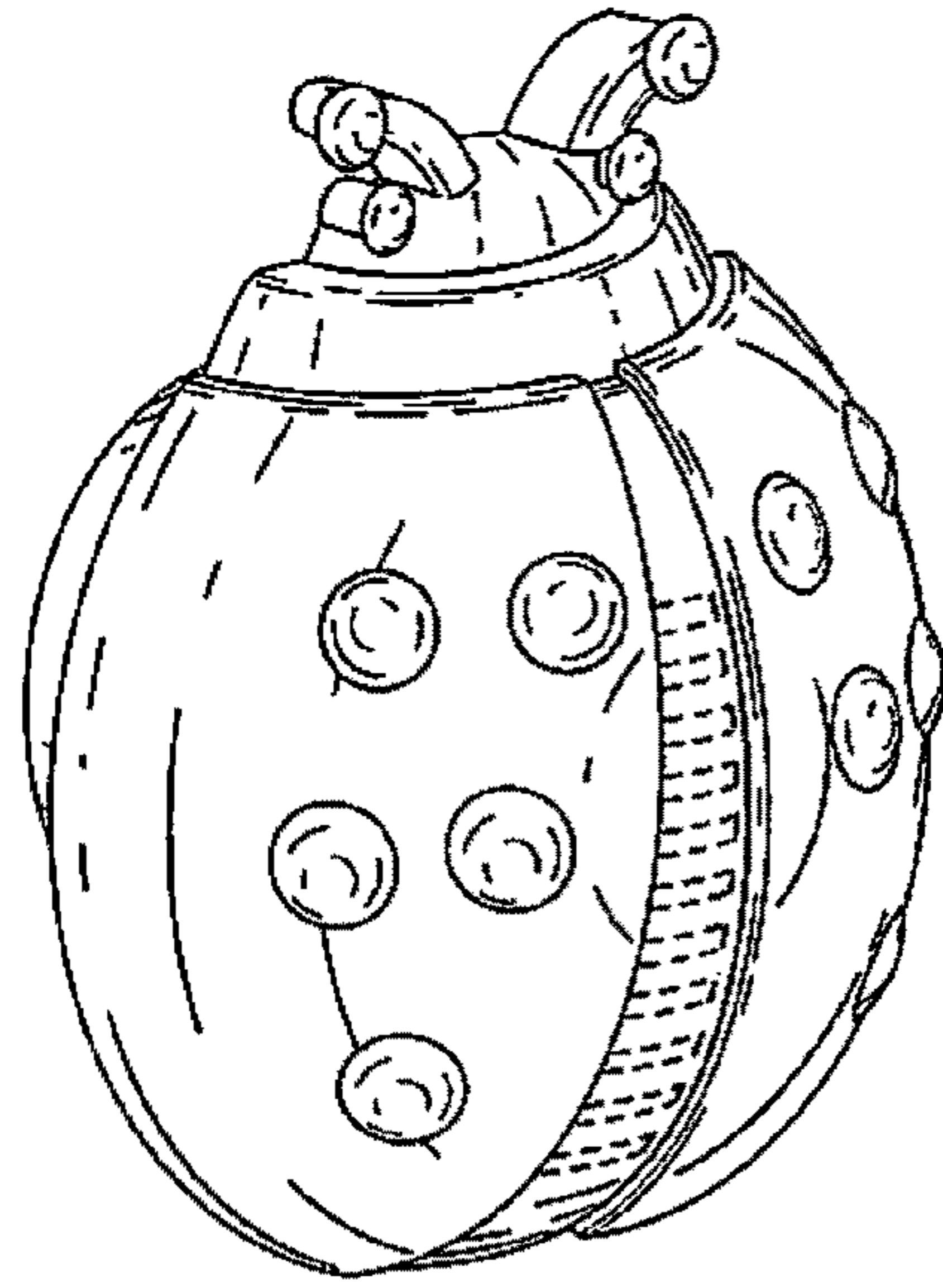


Fig. 1

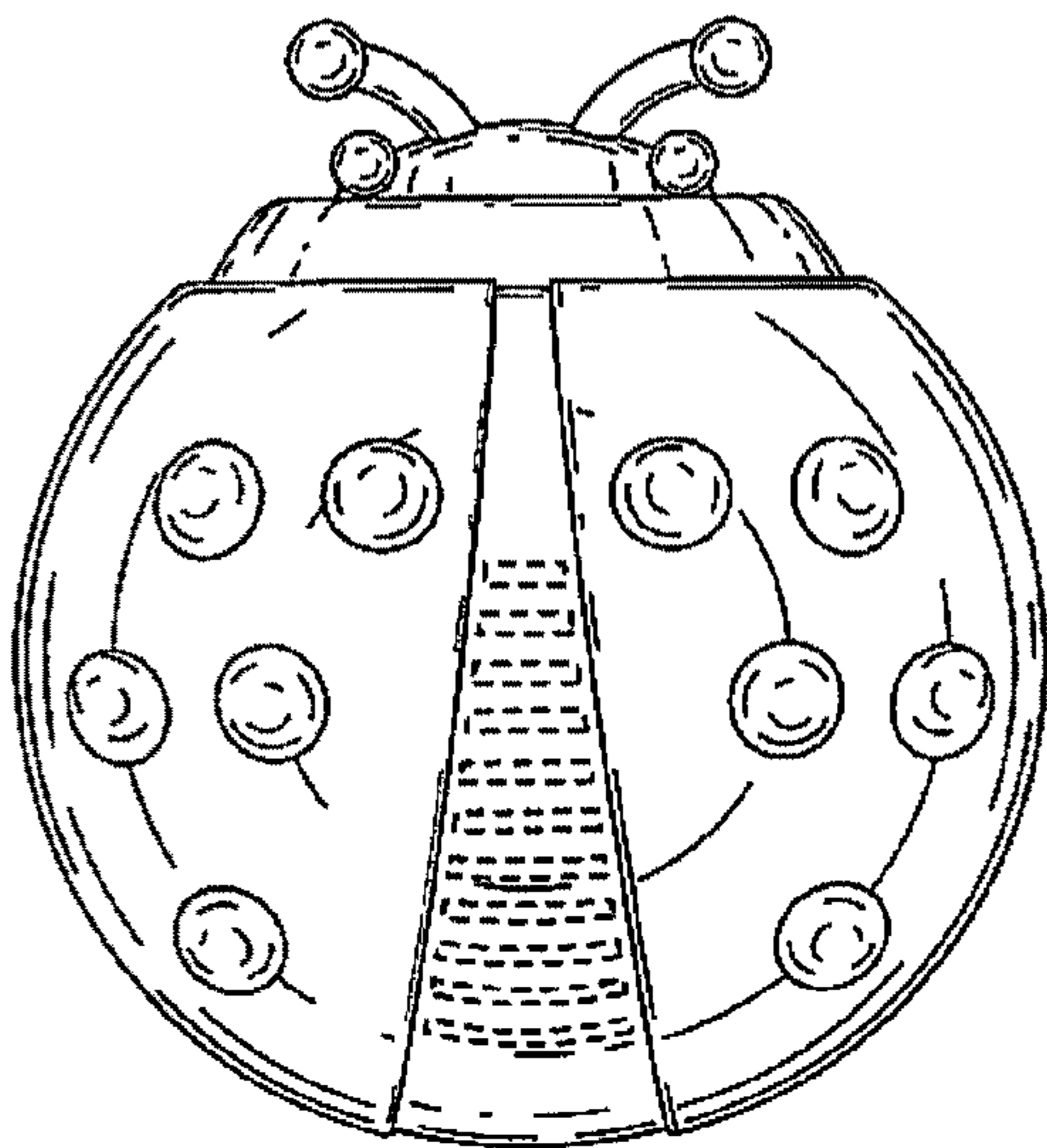


Fig. 2

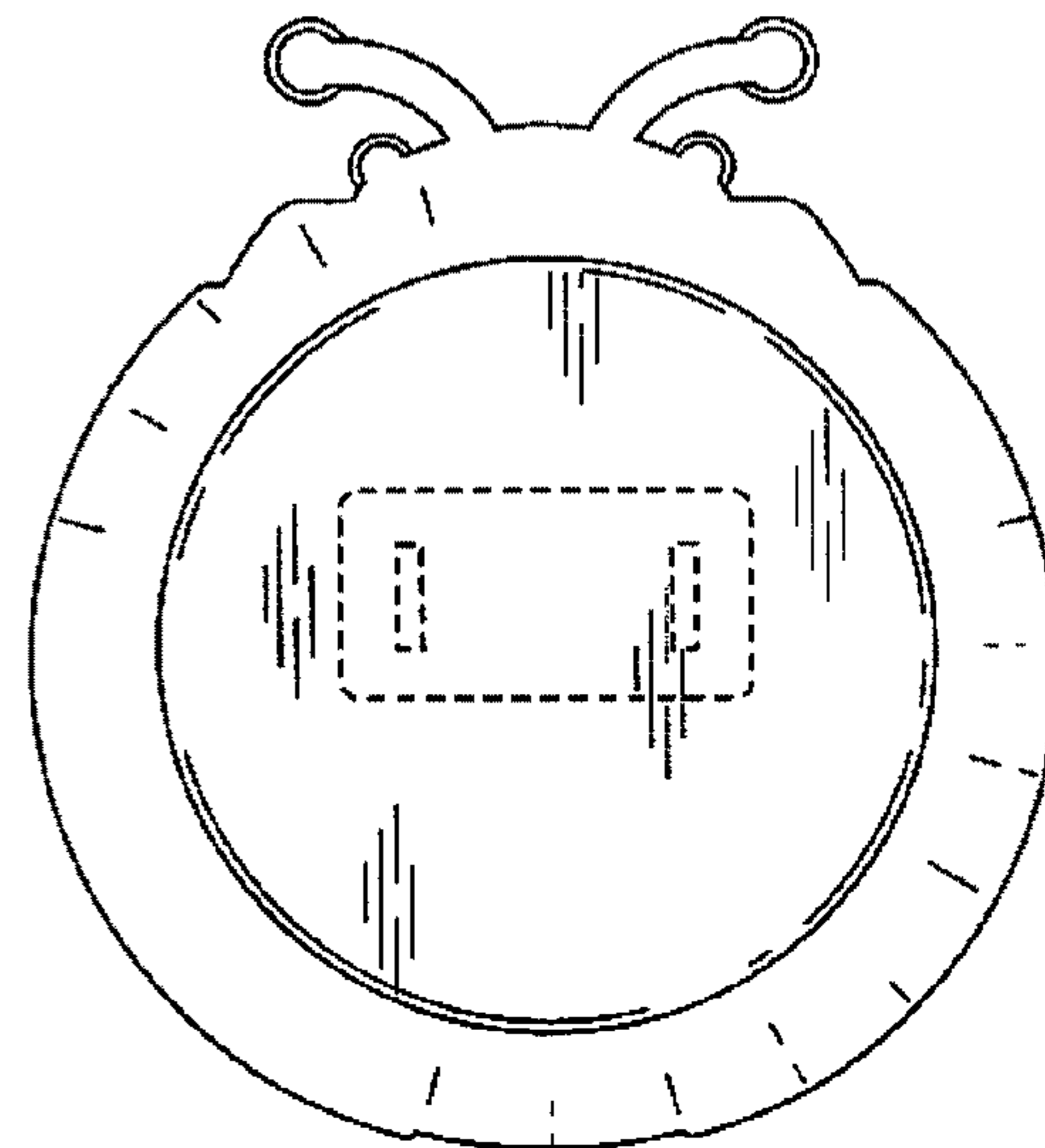


Fig. 3

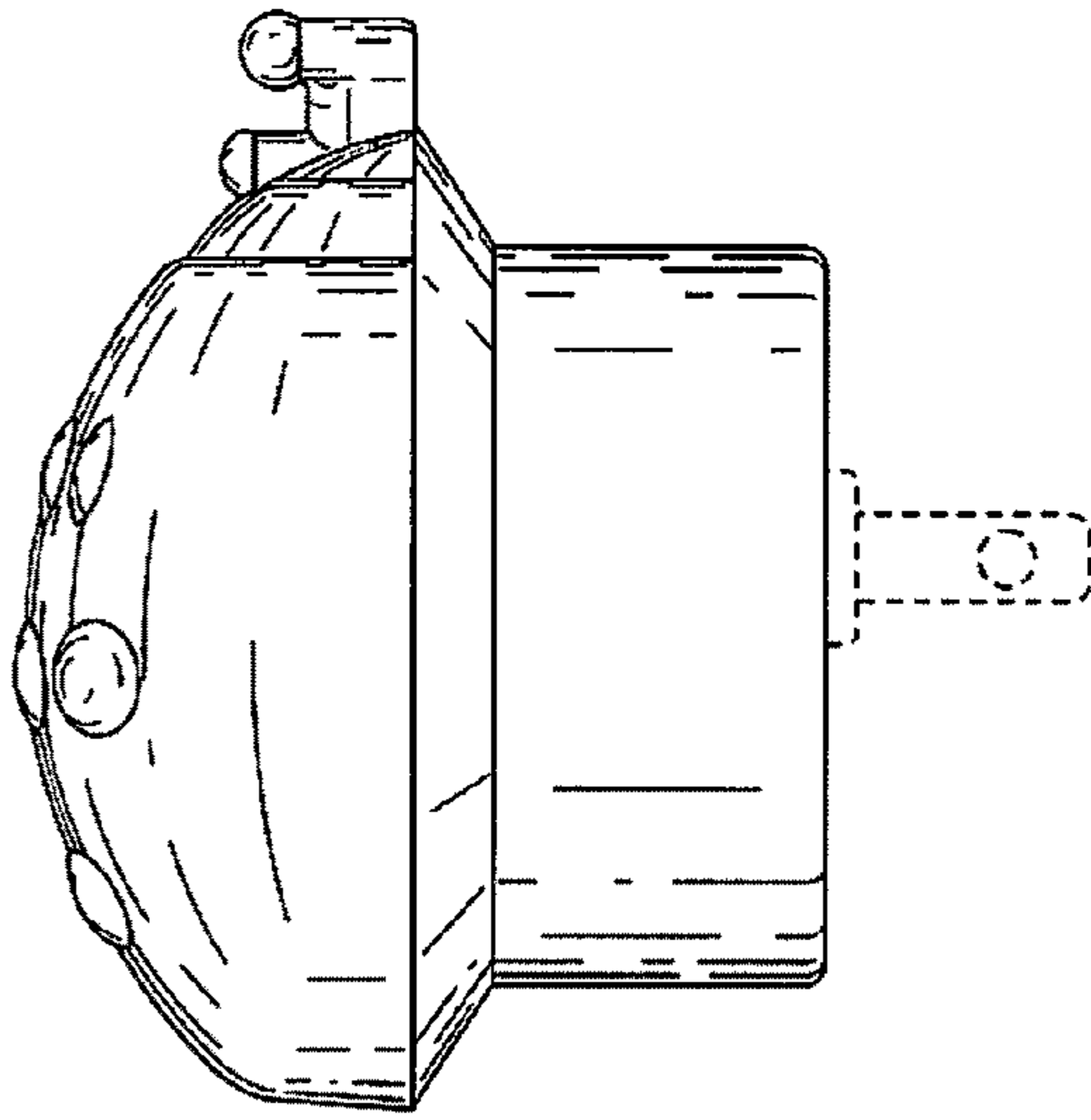


Fig. 4

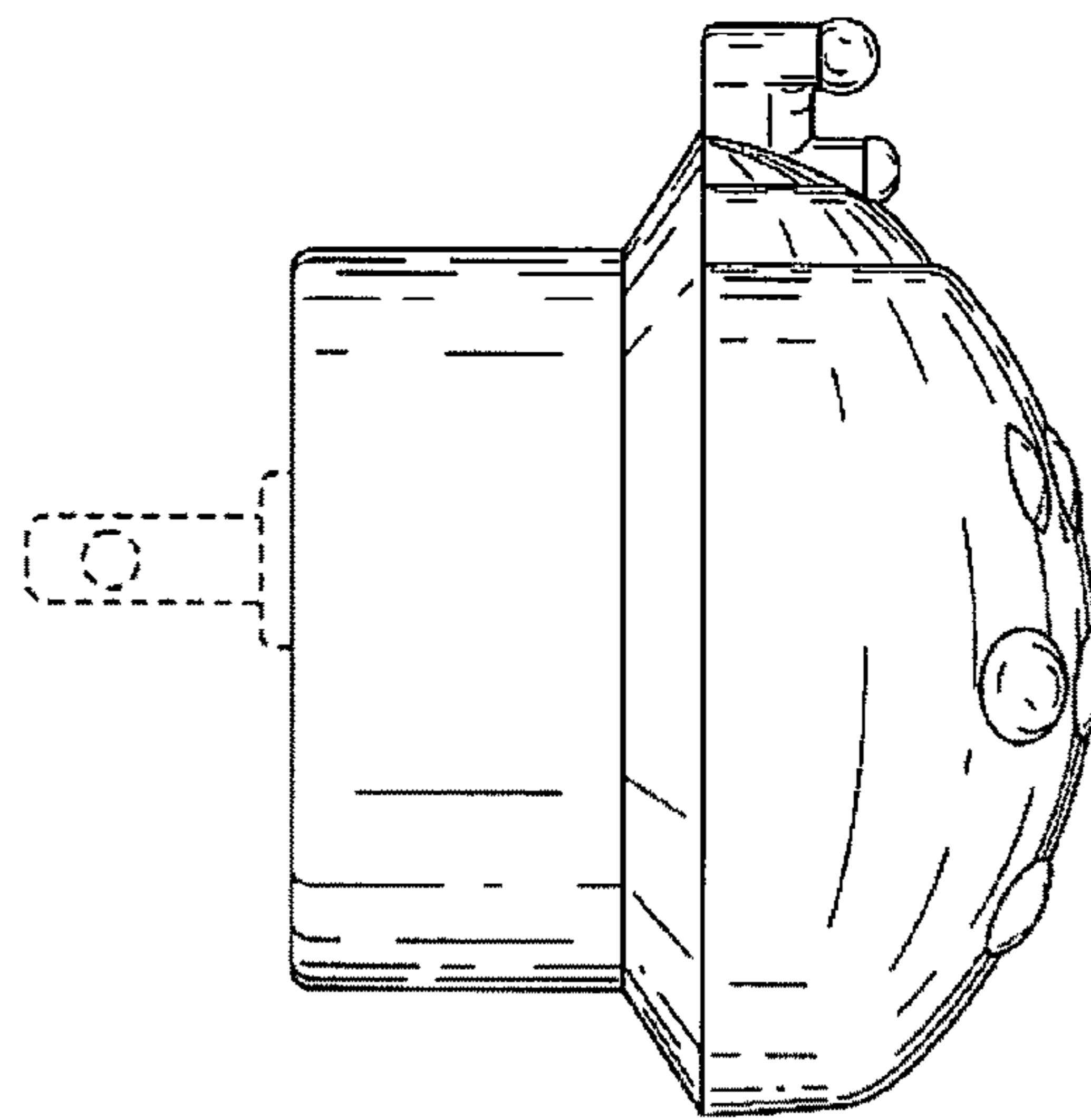


Fig. 5

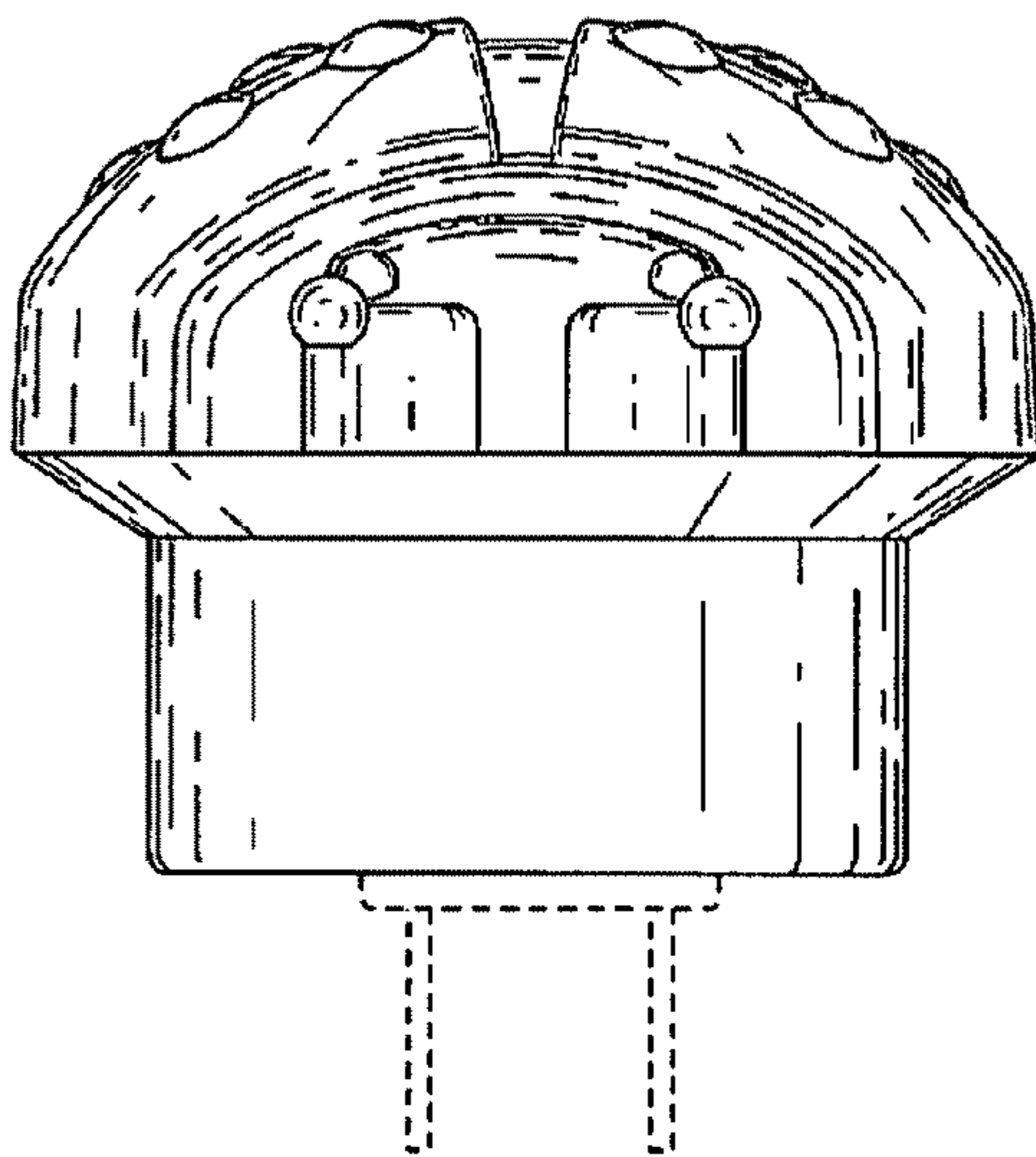


Fig. 6

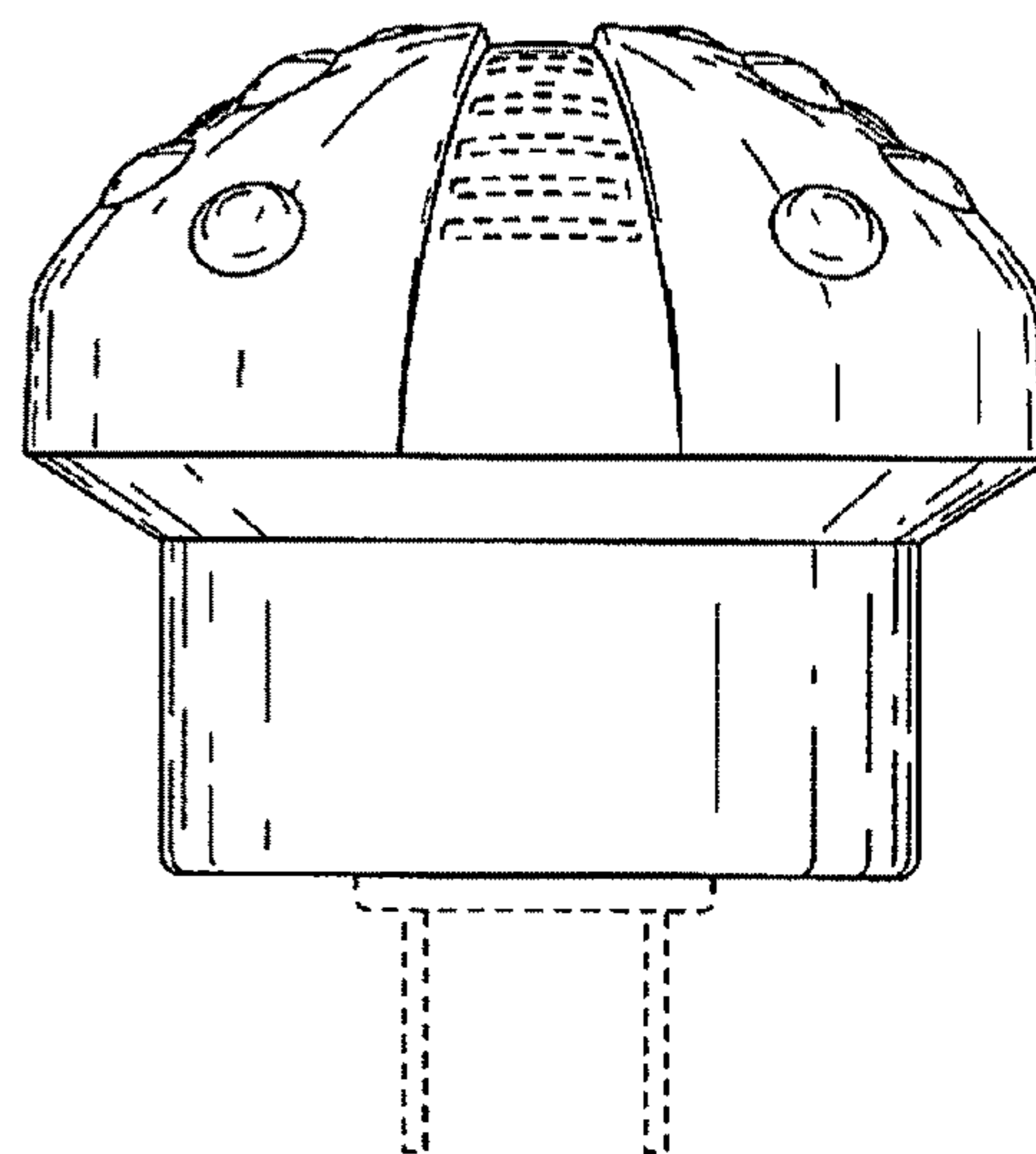


Fig. 7