

US00D640805S

(12) **United States Design Patent**
Li et al.

(10) **Patent No.:** **US D640,805 S**

(45) **Date of Patent:** **** Jun. 28, 2011**

(54) **LIGHT BULB**

(75) Inventors: **Eddie Ping Kuen Li**, Hong Kong (CN);
Tean Sue-Anne Leung, Hong Kong
(CN)

(73) Assignee: **Huizhou Light Engine Ltd.**, Huizhou
(CN)

(**) Term: **14 Years**

(21) Appl. No.: **29/383,564**

(22) Filed: **Jan. 19, 2011**

(51) **LOC (9) Cl.** **26-04**

(52) **U.S. Cl.** **D26/2**

(58) **Field of Classification Search** D26/1-4;
313/313, 315, 316, 317, 318, 493; 315/52,
315/53, 56, 57, 58

See application file for complete search history.

(56) **References Cited**

U.S. PATENT DOCUMENTS

D551,784 S * 9/2007 Krieglmeier et al. D26/2
D581,555 S * 11/2008 To et al. D26/2

D593,222 S * 5/2009 To et al. D26/2
D594,997 S * 6/2009 Zhu et al. D26/2
D601,275 S * 9/2009 Ho et al. D26/2

* cited by examiner

Primary Examiner — Marcus Jackson

(74) *Attorney, Agent, or Firm* — Dickstein Shapiro LLP

(57) **CLAIM**

The ornamental design for a light bulb, as shown and described.

DESCRIPTION

FIG. 1 is a perspective view of a light bulb showing our new design;

FIG. 2 is a front view of the light bulb shown in FIG. 1;

FIG. 3 is a left side view of the light bulb shown in FIG. 1;

FIG. 4 is a right side view of the light bulb shown in FIG. 1;

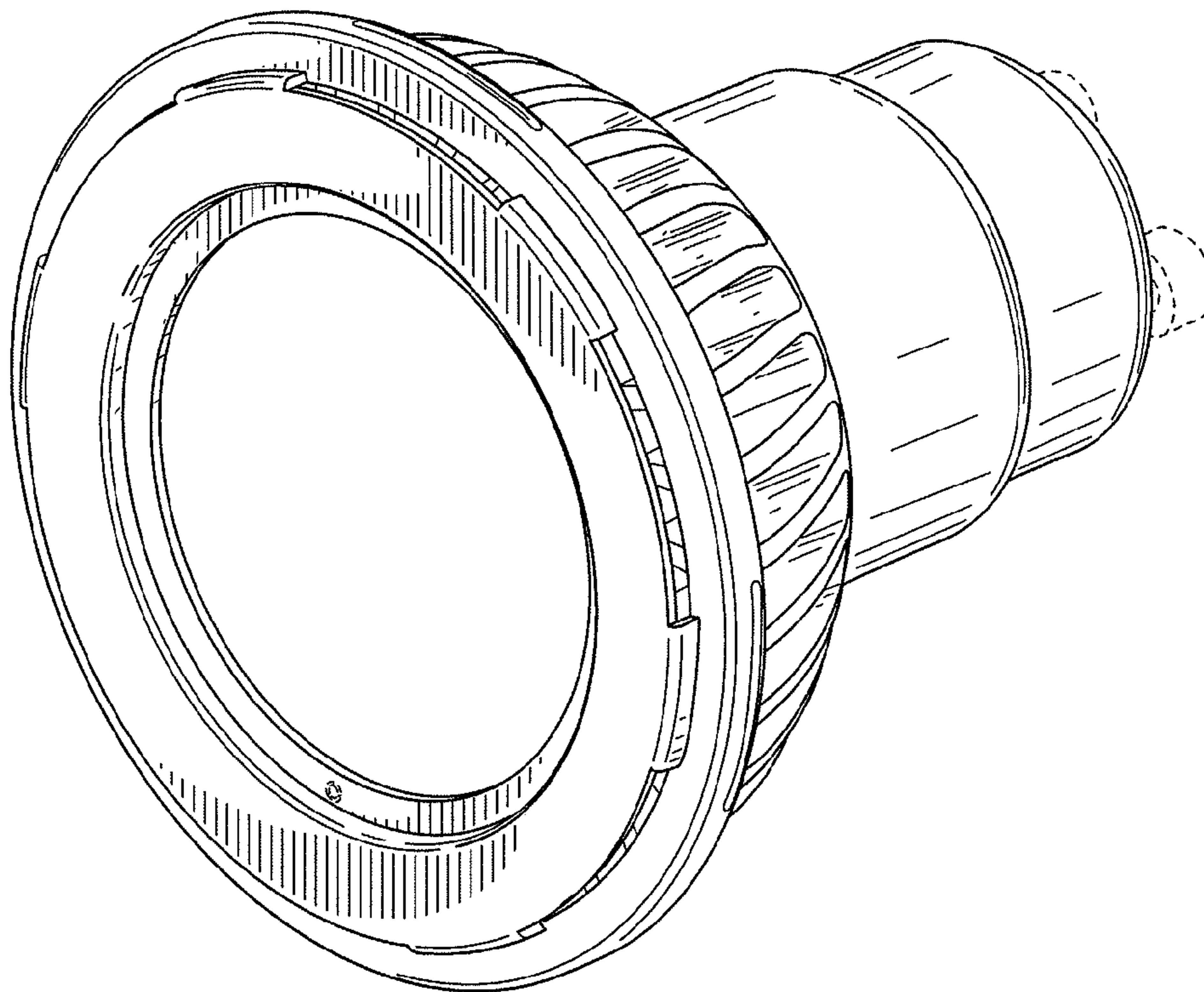
FIG. 5 is a rear view of the light bulb shown in FIG. 1;

FIG. 6 is a top view of the light bulb shown in FIG. 1; and

FIG. 7 is a bottom view of the light bulb shown in FIG. 1.

The broken lines shown in FIGS. 1-7 of the drawings are for illustrative purposes only and form no part of the claimed design.

1 Claim, 6 Drawing Sheets



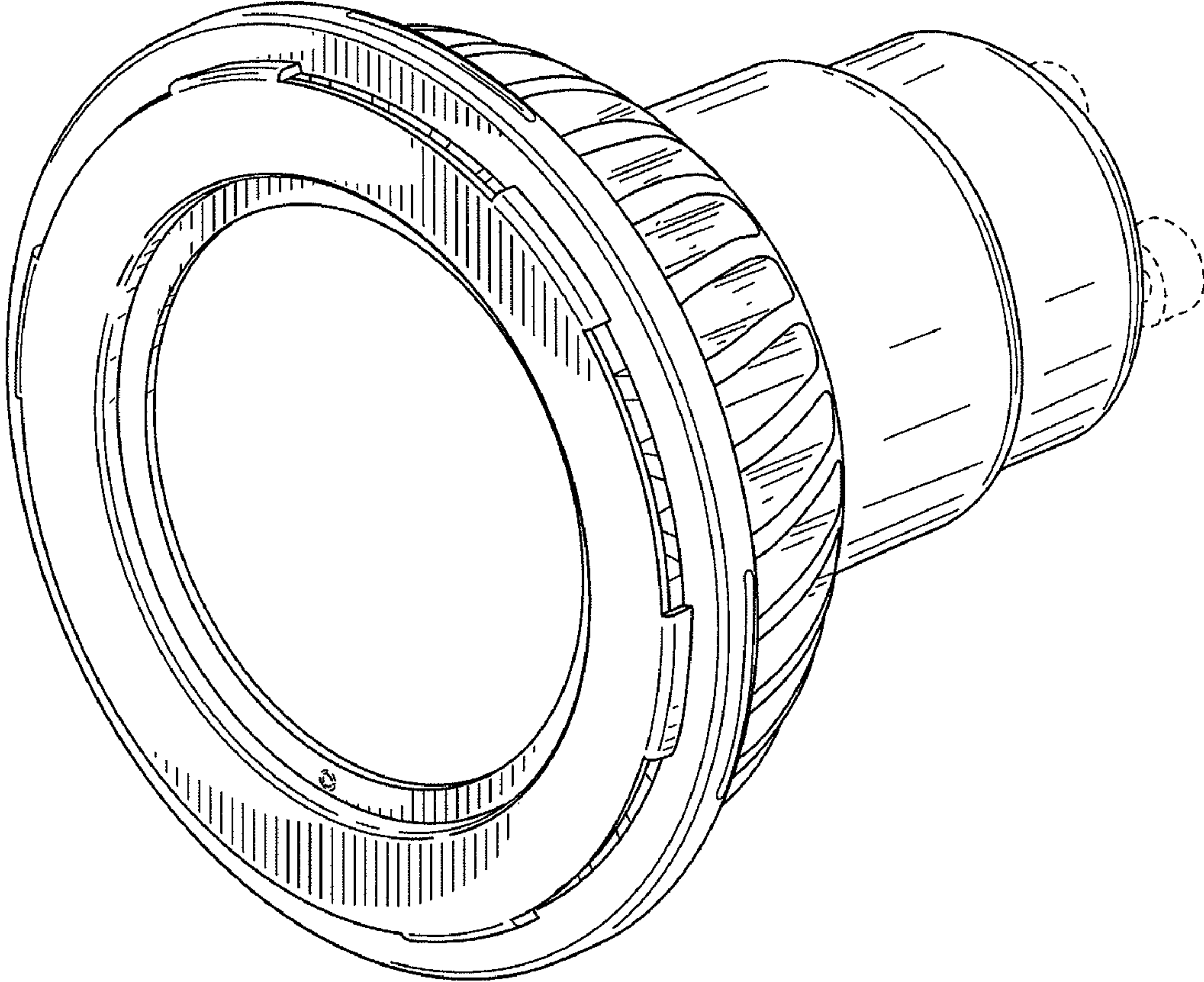


FIG. 1

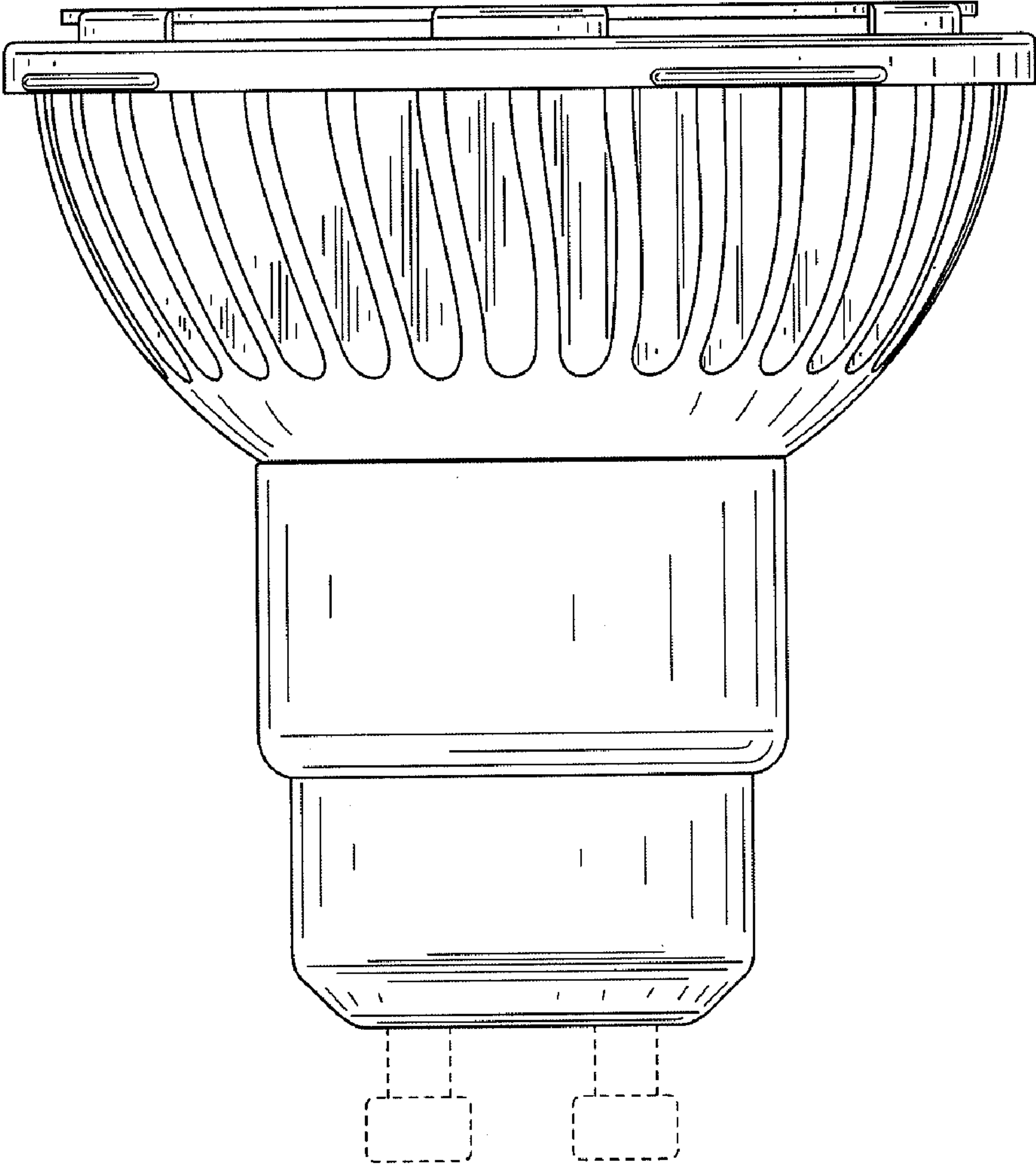


FIG. 2

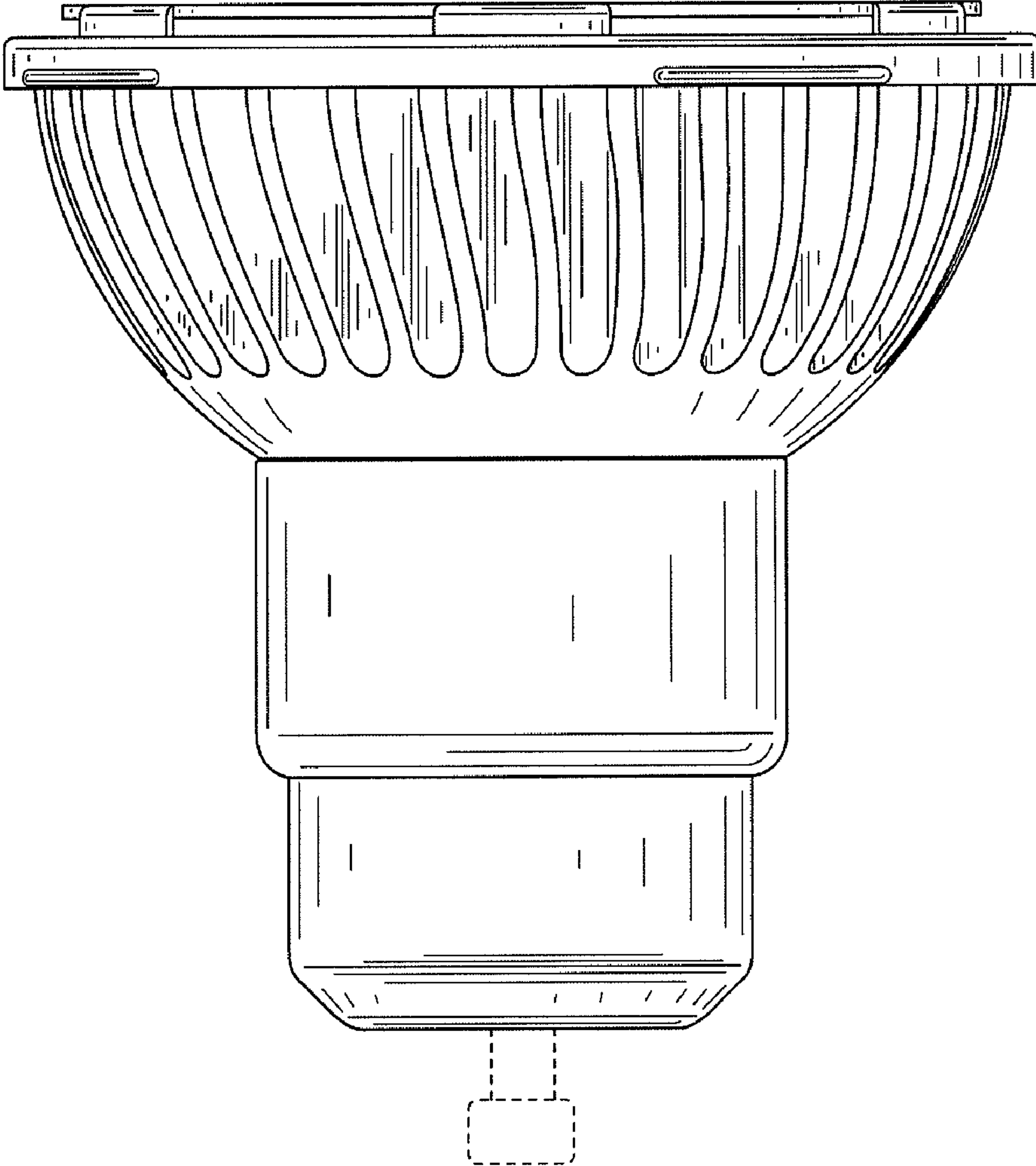


FIG. 3

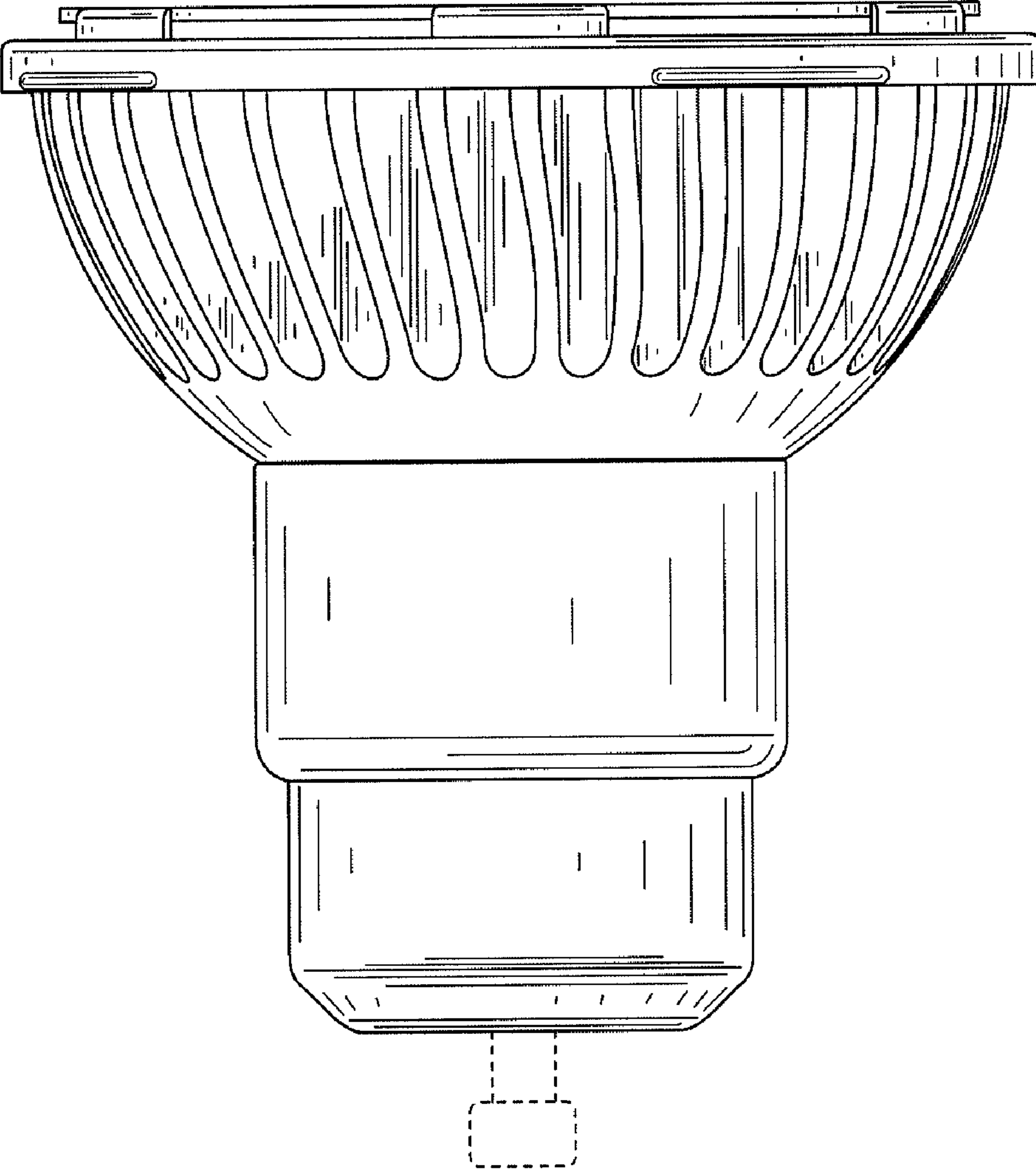


FIG. 4

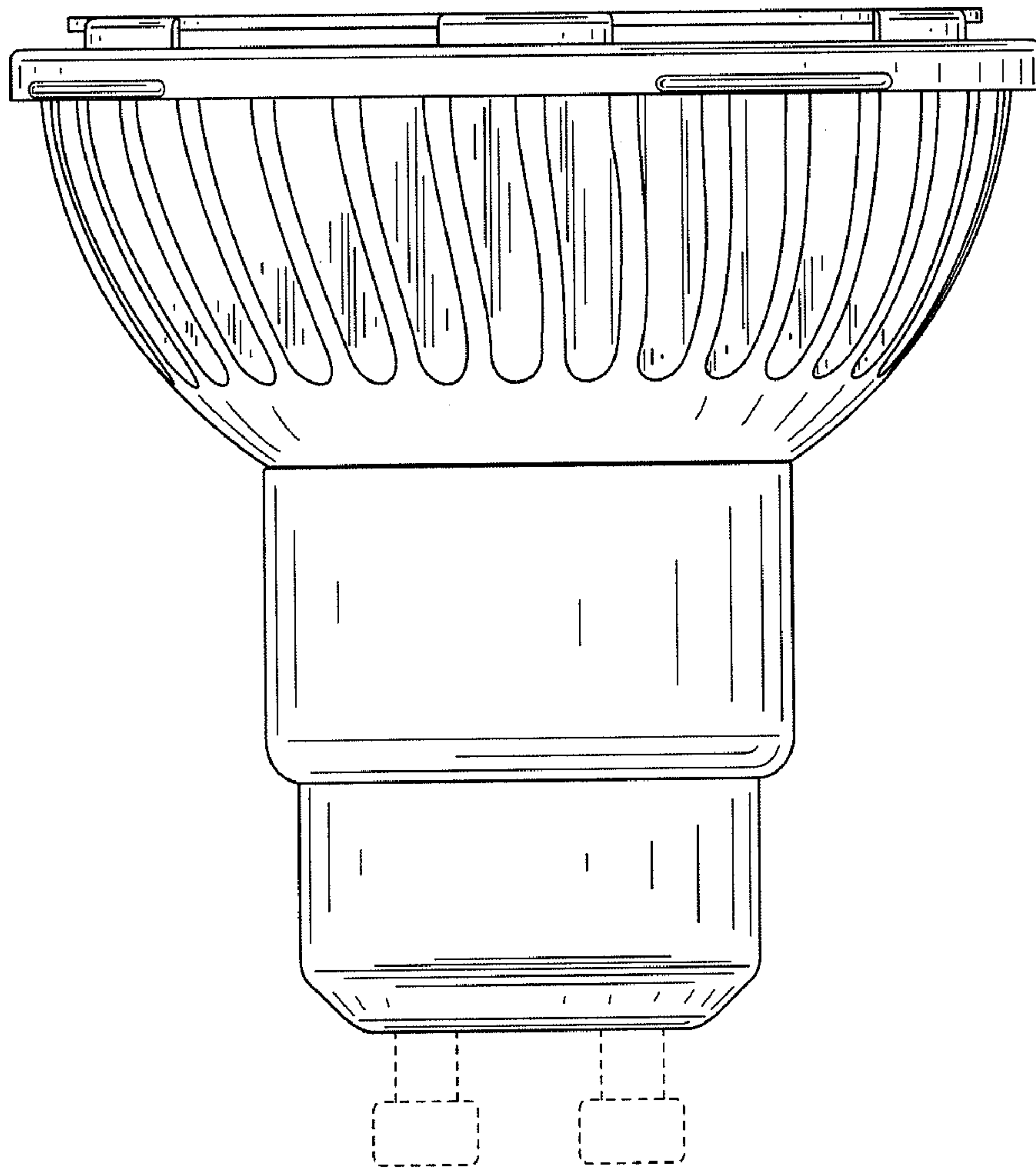


FIG. 5

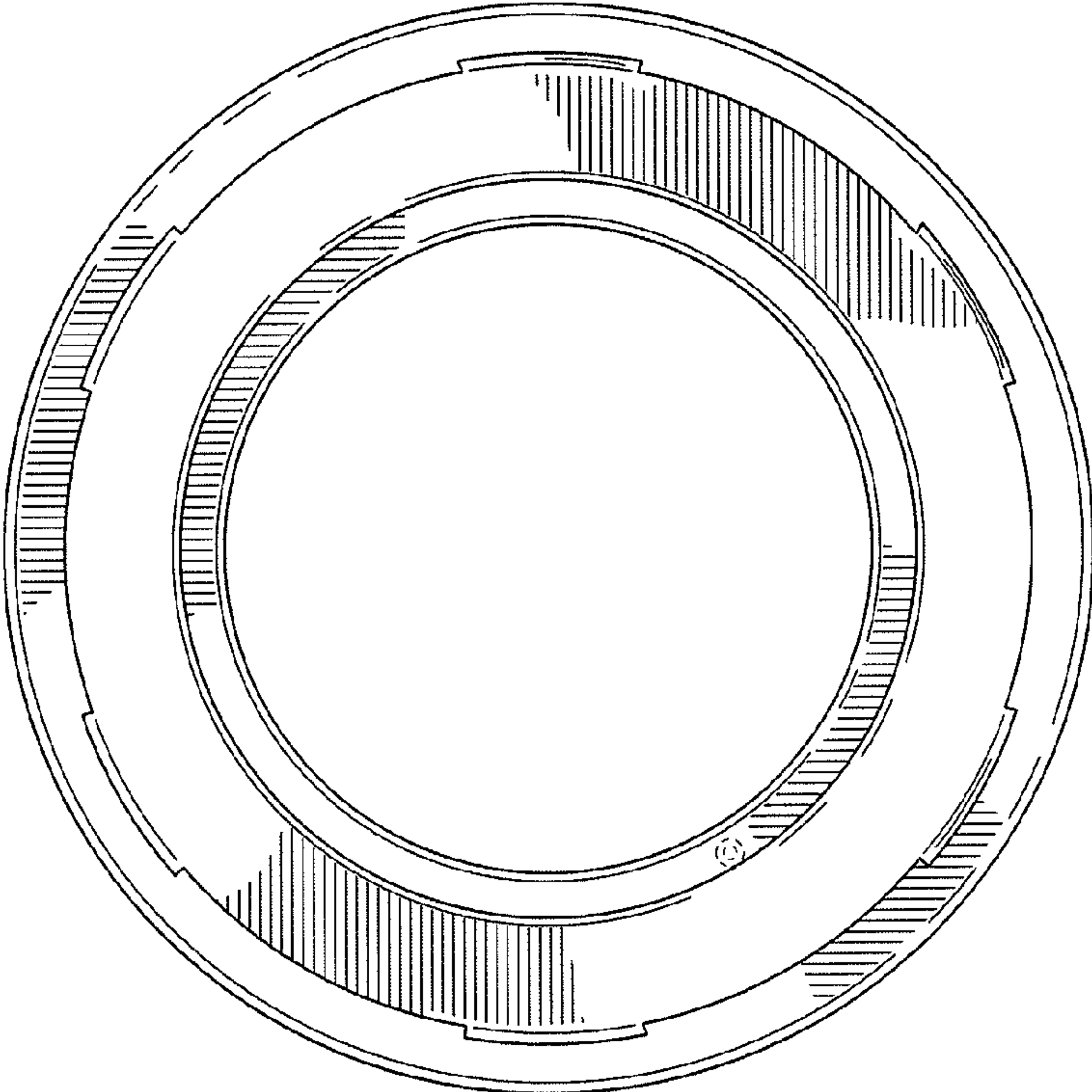


FIG. 6

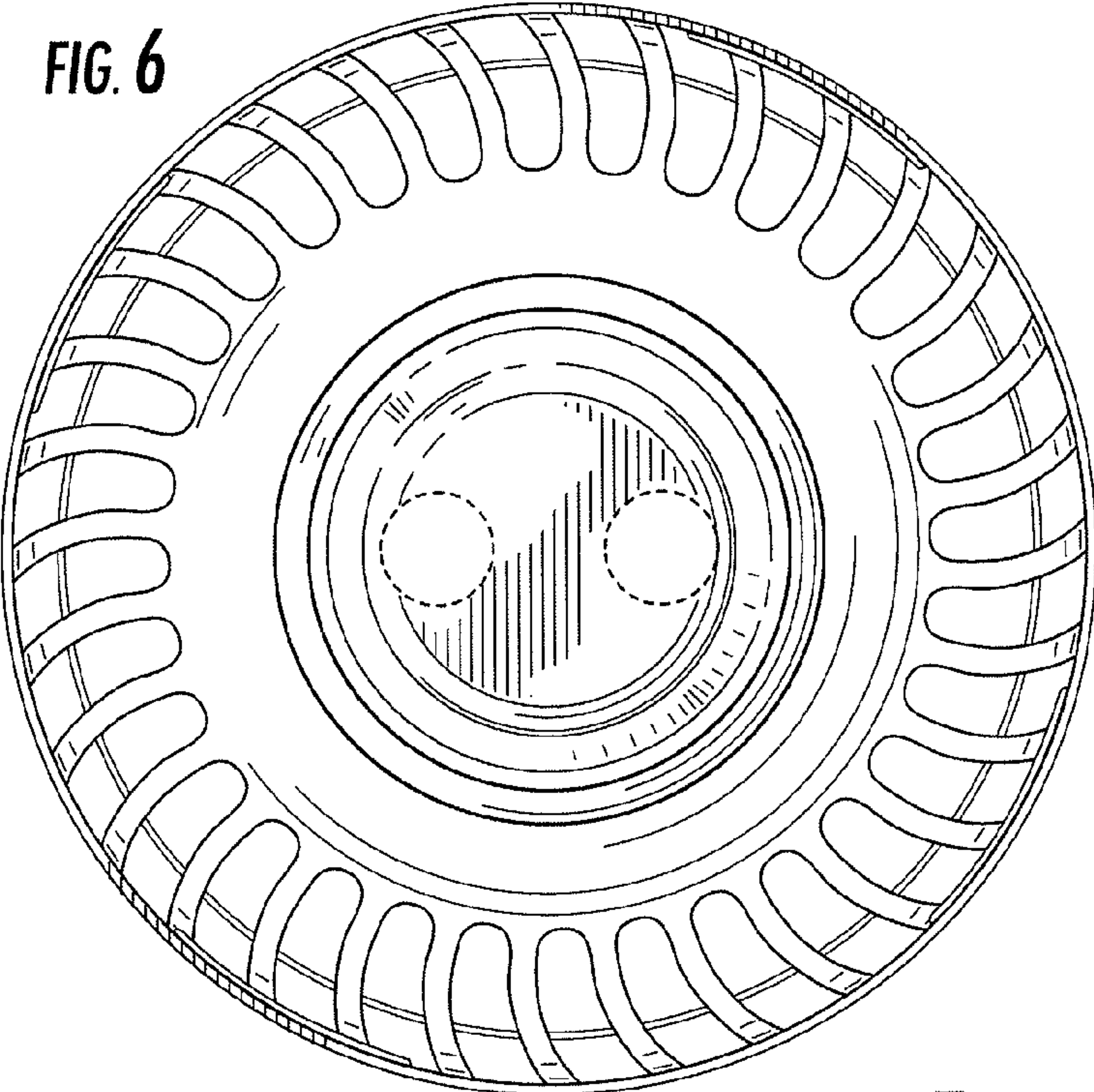


FIG. 7