



US00D640802S

(12) **United States Design Patent**
Fannan

(10) **Patent No.:** **US D640,802 S**
(45) **Date of Patent:** **** Jun. 28, 2011**

(54) **WINDOW COMPONENT EXTRUSION**

(75) Inventor: **Michael R. Fannan**, Pecatonica, IL (US)

(73) Assignee: **Mikron Industries, Inc.**, Kent, WA (US)

(**) Term: **14 Years**

(21) Appl. No.: **29/349,769**

(22) Filed: **Apr. 30, 2010**

(51) **LOC (9) Cl.** **25-01**

(52) **U.S. Cl.** **D25/124**

(58) **Field of Classification Search** D25/119,
D25/124, 125; 52/204.1, 204.2, 204.5, 204.51,
52/656.5, 656.6, 213, 215, 208, 206, 212,
52/717.01, 209, 204.72, 579; 49/DIG. 2,
49/504, 501, 449, 180, 183; 160/91
See application file for complete search history.

(56) **References Cited**

U.S. PATENT DOCUMENTS

4,856,230 A * 8/1989 Slocomb 49/504
4,944,118 A * 7/1990 Biro 49/504

D572,835 S * 7/2008 Willman D25/124
* cited by examiner

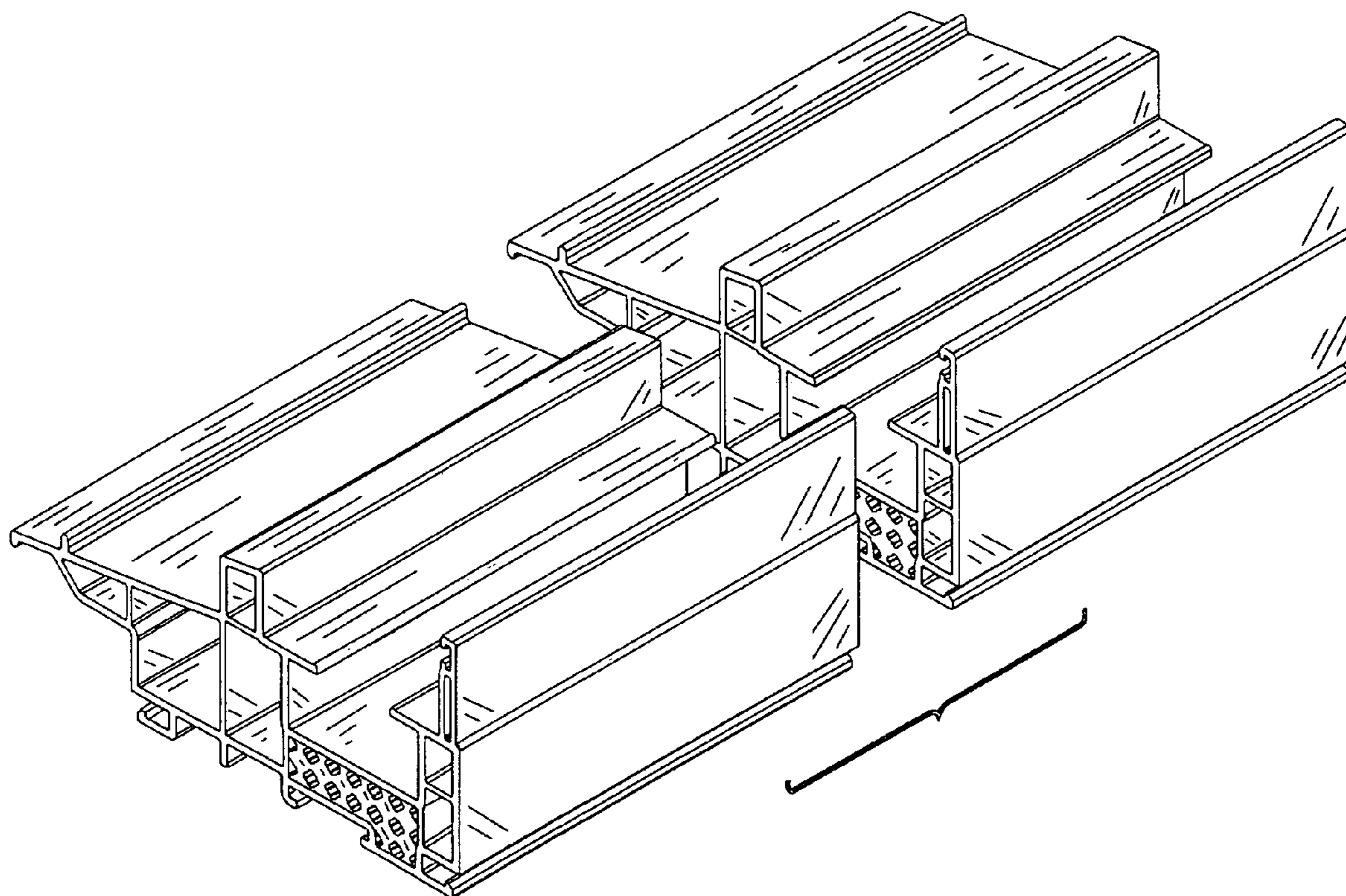
Primary Examiner — Doris Clark
(74) *Attorney, Agent, or Firm* — David C. Gadd

(57) **CLAIM**
The ornamental design for a window component extrusion, as shown.

DESCRIPTION

FIG. 1 is a top right perspective view of a first embodiment of the window component extrusion which is broken in the center indicating indefinite length, FIG. 2 is a bottom left perspective view of the window component extrusion shown in FIG. 1, FIG. 3 is a top right perspective view of a second embodiment of the window component extrusion which is broken in the center indicating indefinite length; and, FIG. 4 is a bottom left perspective view of the window component extrusion shown in FIG. 3.

1 Claim, 2 Drawing Sheets



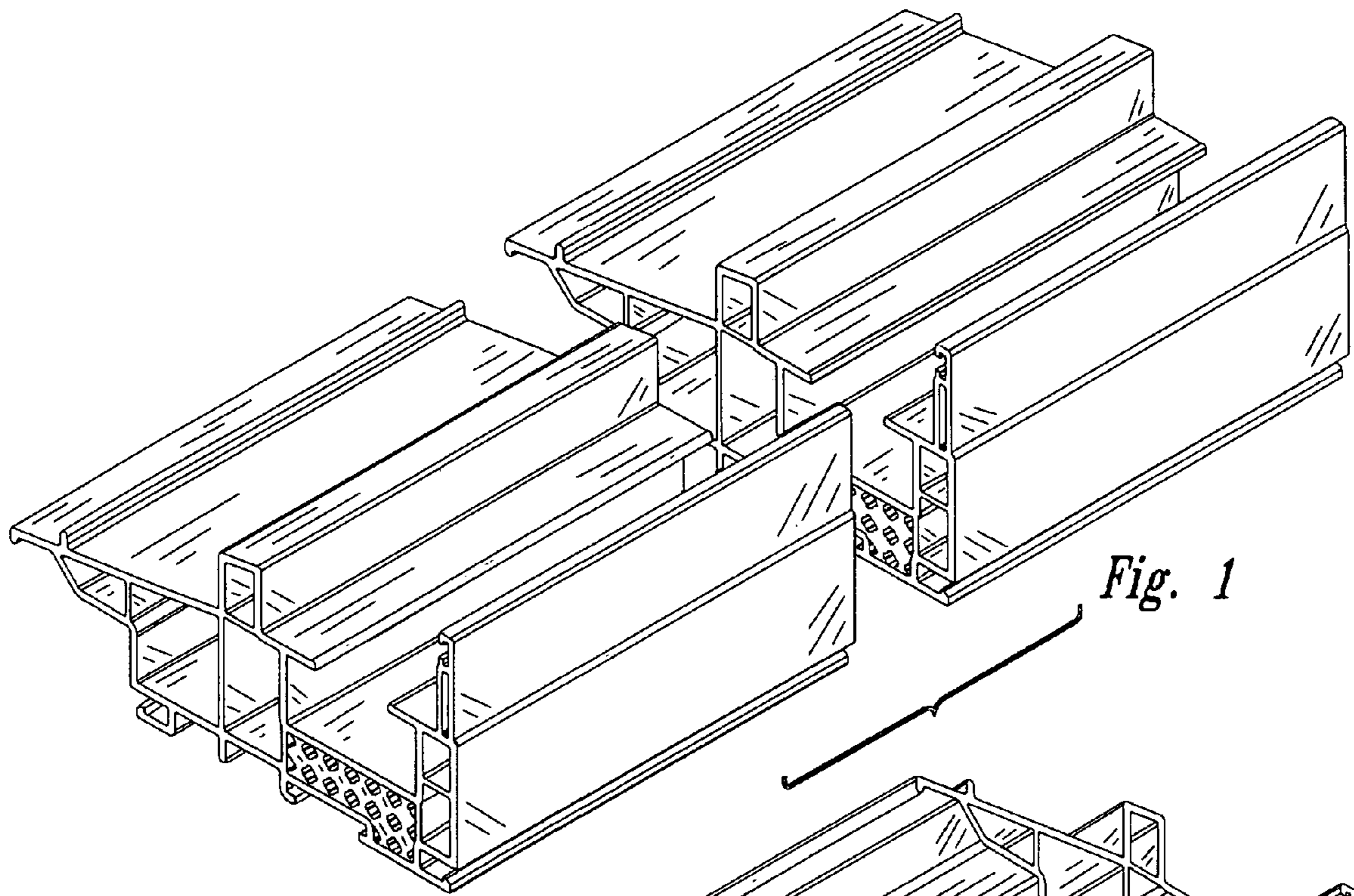


Fig. 1

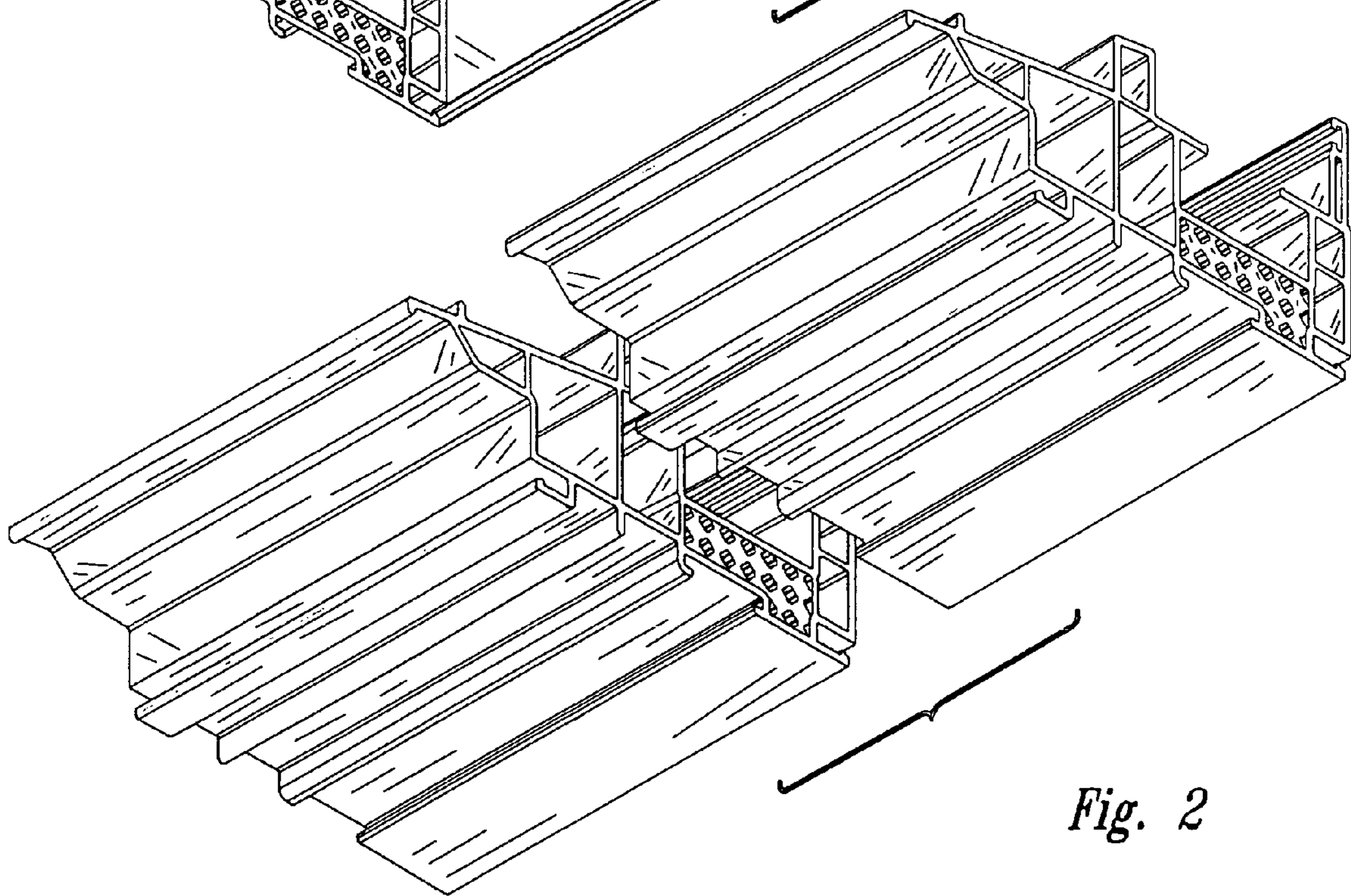


Fig. 2

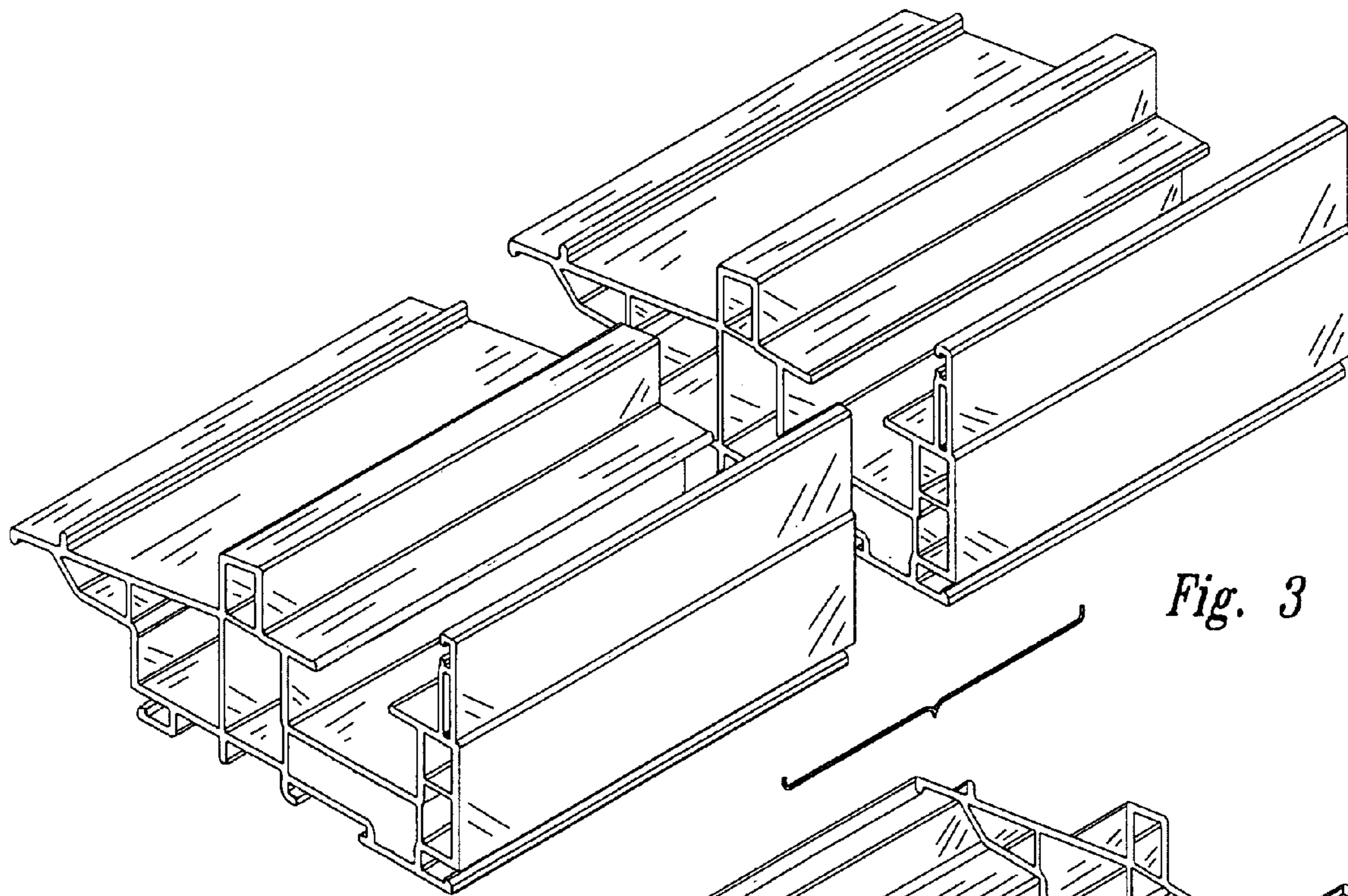


Fig. 3

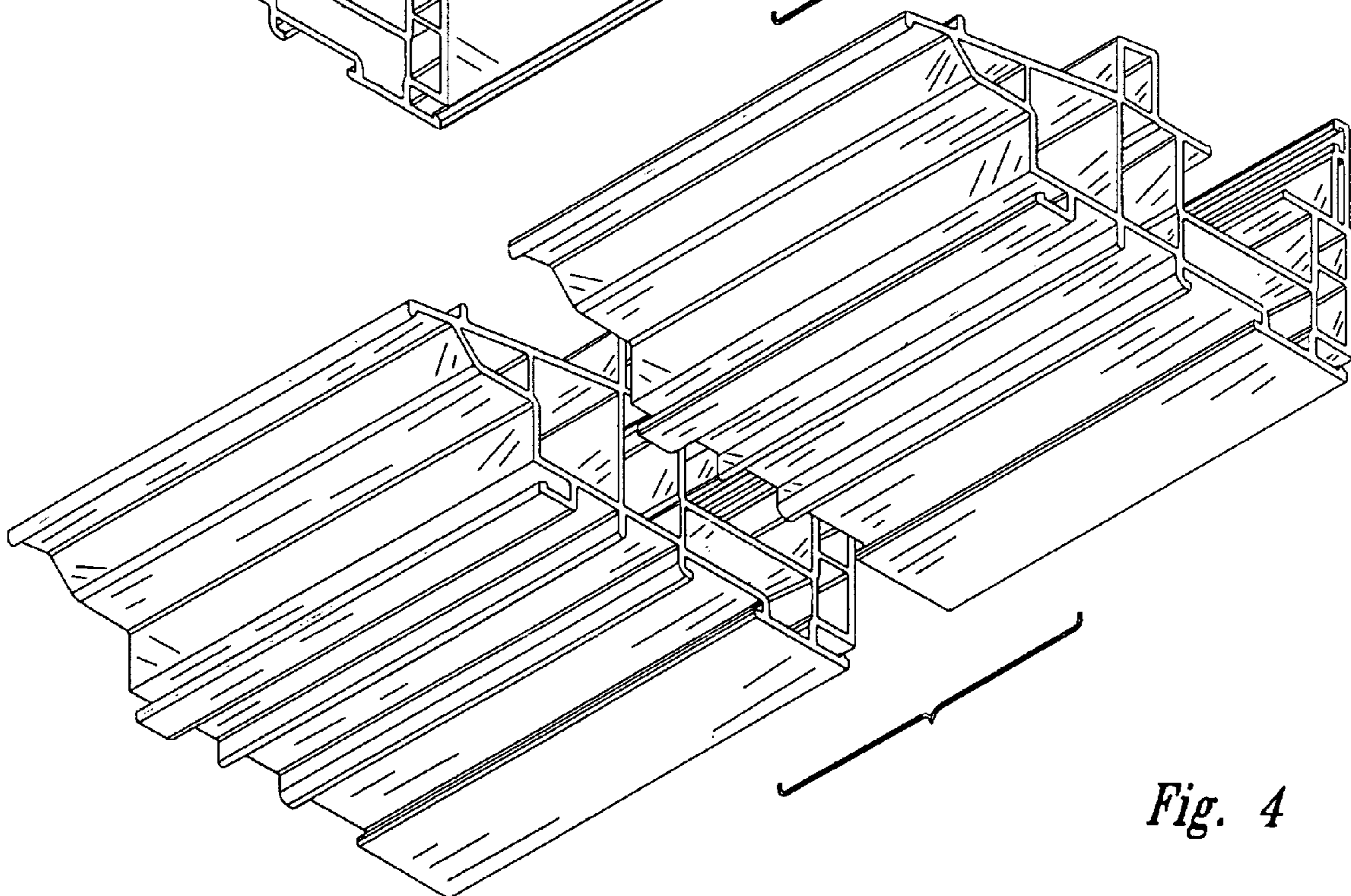


Fig. 4