



US00D640801S

(12) **United States Design Patent**  
**Wickland**

(10) **Patent No.:** **US D640,801 S**

(45) **Date of Patent:** **\*\* Jun. 28, 2011**

(54) **WINDOW COMPONENT EXTRUSION**

(56) **References Cited**

(75) Inventor: **Timothy Todd Wickland**, Auburn, WA  
(US)

U.S. PATENT DOCUMENTS

4,944,118 A *	7/1990	Biro .....	49/504
5,591,286 A *	1/1997	Suenaga et al. ....	156/71
D536,101 S *	1/2007	Schrader .....	D25/119
D558,899 S *	1/2008	Cole .....	D25/119

(73) Assignee: **Mikron Industries, Inc.**, Kent, WA (US)

\* cited by examiner

(\*\*) Term: **14 Years**

*Primary Examiner* — Doris Clark

(21) Appl. No.: **29/370,060**

(74) *Attorney, Agent, or Firm* — David C. Gadd

(22) Filed: **May 29, 2010**

(57) **CLAIM**

The ornamental design for a window component extrusion, as shown and described.

(51) **LOC (9) Cl.** ..... **25-01**

**DESCRIPTION**

(52) **U.S. Cl.** ..... **D25/119**

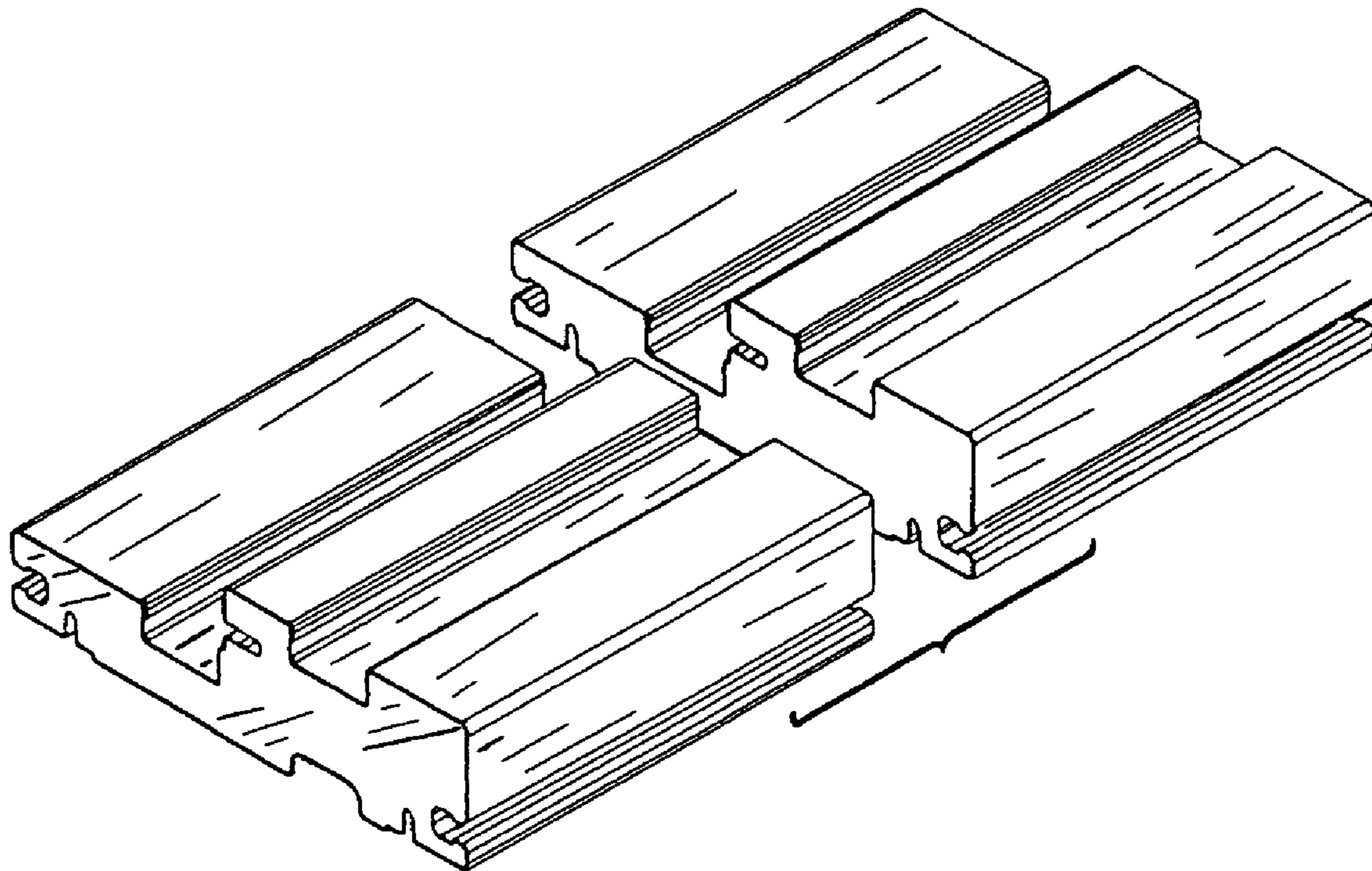
(58) **Field of Classification Search** ..... D25/119,  
D25/124, 125; 52/204.1, 204.2, 204.5, 204.51,  
52/656.5, 656.6, 213, 215, 208, 206, 212,  
52/717.01, 209, 204.72, 579; 49/DIG. 2,  
49/504, 501, 449, 180, 183; 160/91

FIG. 1 is a top right perspective view of the window component extrusion which is broken in the center indicating indefinite length; and,

FIG. 2 is a bottom left perspective view of the window component extrusion shown in FIG. 1.

See application file for complete search history.

**1 Claim, 1 Drawing Sheet**



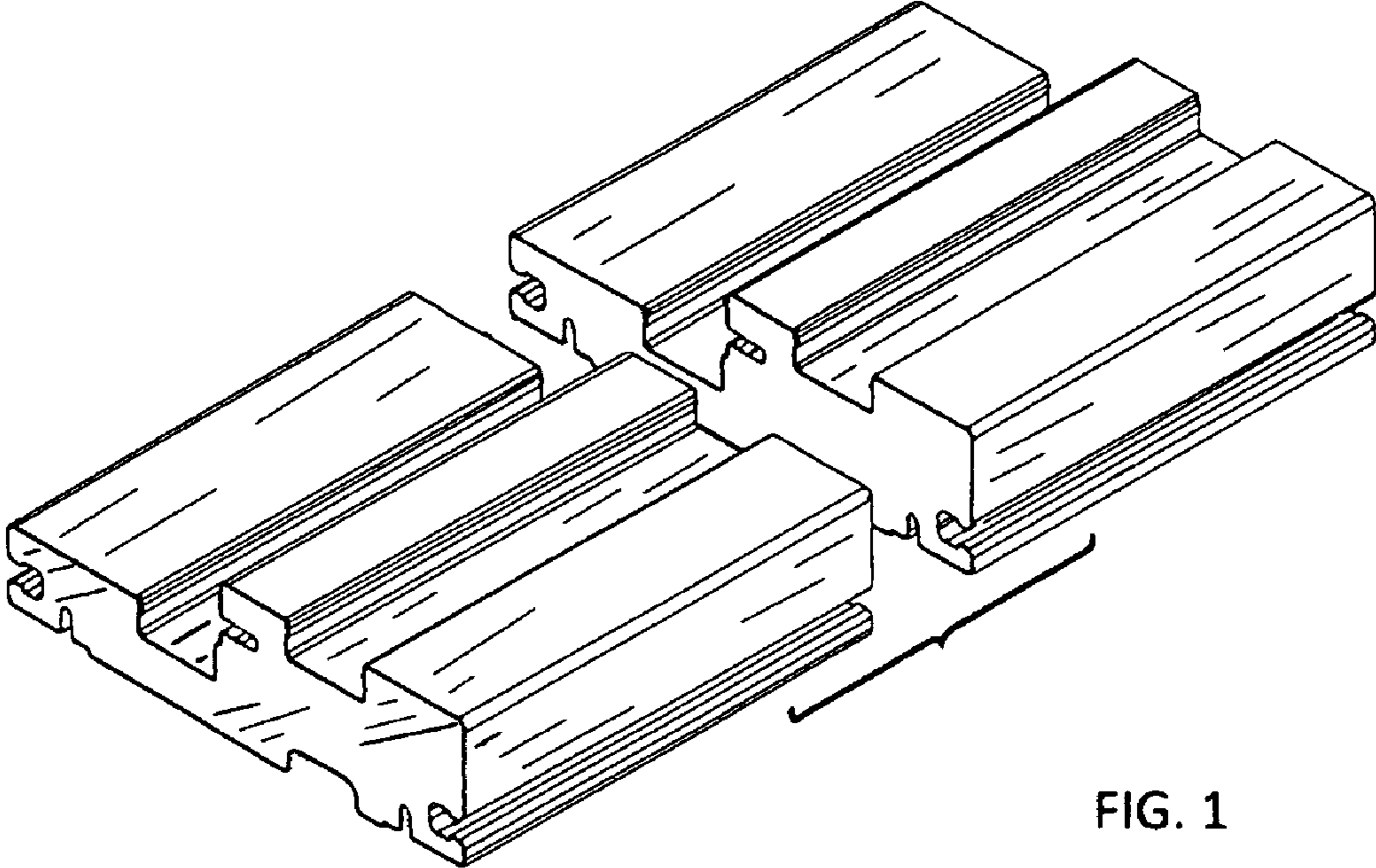


FIG. 1

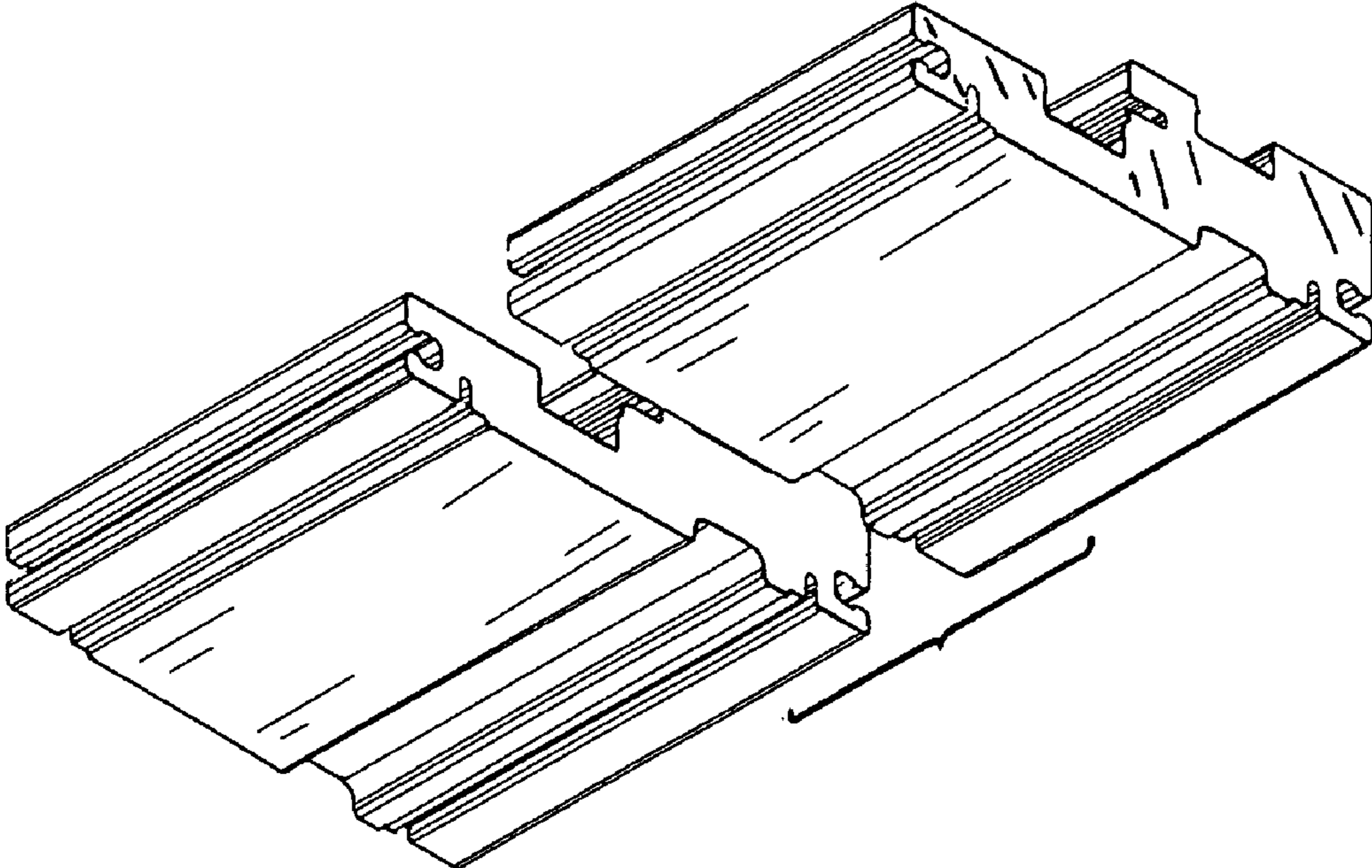


FIG. 2