



US00D640799S

(12) **United States Design Patent**  
**Stollery**

(10) **Patent No.:** **US D640,799 S**

(45) **Date of Patent:** **\*\* Jun. 28, 2011**

(54) **OBSERVATION CHAIR**

7,431,389 B2 10/2008 Reeb et al.

\* cited by examiner

(76) Inventor: **David J. Stollery**, Laguna Beach, CA  
(US)

*Primary Examiner* — Doris Clark

(74) *Attorney, Agent, or Firm* — Larry K. Roberts

(\*\*) Term: **14 Years**

(57) **CLAIM**

The ornamental design for an observation chair, as shown and described.

(21) Appl. No.: **29/362,439**

(22) Filed: **May 25, 2010**

**DESCRIPTION**

(51) **LOC (9) Cl.** ..... **25-04**

(52) **U.S. Cl.** ..... **D25/62**

(58) **Field of Classification Search** ..... D25/62;  
182/102, 103, 116, 123

See application file for complete search history.

FIG. 1 is an isometric view of an embodiment of the design; FIG. 2 is a right elevation view of the embodiment of FIG. 1; FIG. 3 is a left elevation view of the embodiment of FIG. 1; FIG. 4 is a front elevation view of the embodiment of FIG. 1; FIG. 5 is a rear elevation view of the embodiment of FIG. 1; FIG. 6 is a top view of the embodiment of FIG. 1; FIG. 7 is a bottom view of the embodiment of FIG. 1; FIG. 8 is an isometric view of another embodiment of the design; FIG. 9 is a right elevation view of the embodiment of FIG. 8; FIG. 10 is a left elevation view of the embodiment of FIG. 8; FIG. 11 is a front elevation view of the embodiment of FIG. 8; FIG. 12 is a rear elevation view of the embodiment of FIG. 8; FIG. 13 is a top view of the embodiment of FIG. 8; and, FIG. 14 is a bottom view of the embodiment of FIG. 8.

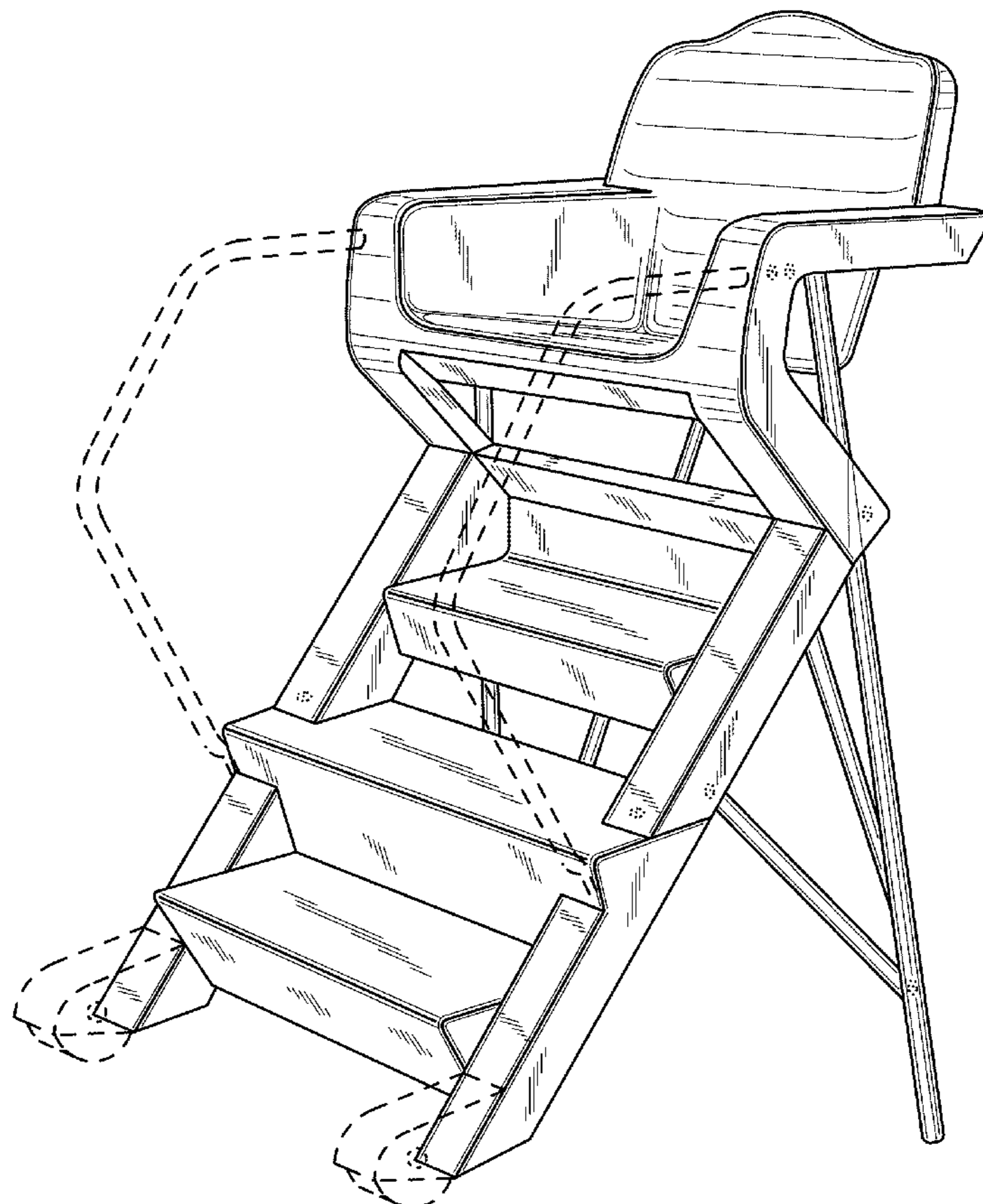
The broken lines in the drawings are included for the purpose of illustration and form no part of the claimed design.

(56) **References Cited**

U.S. PATENT DOCUMENTS

D242,190	S	11/1976	White	
4,614,252	A	9/1986	Turner	
D344,346	S	* 2/1994	Lobozzo	..... D25/62
5,927,435	A	7/1999	Benton	
5,967,601	A	10/1999	Gillins	
D442,699	S	* 5/2001	Myer, III	..... D25/62
6,637,549	B1	10/2003	Lopacki	
6,948,587	B2	9/2005	Griffiths	
7,048,091	B1	5/2006	Maguire	
7,143,865	B2	12/2006	Gray et al.	

**1 Claim, 14 Drawing Sheets**



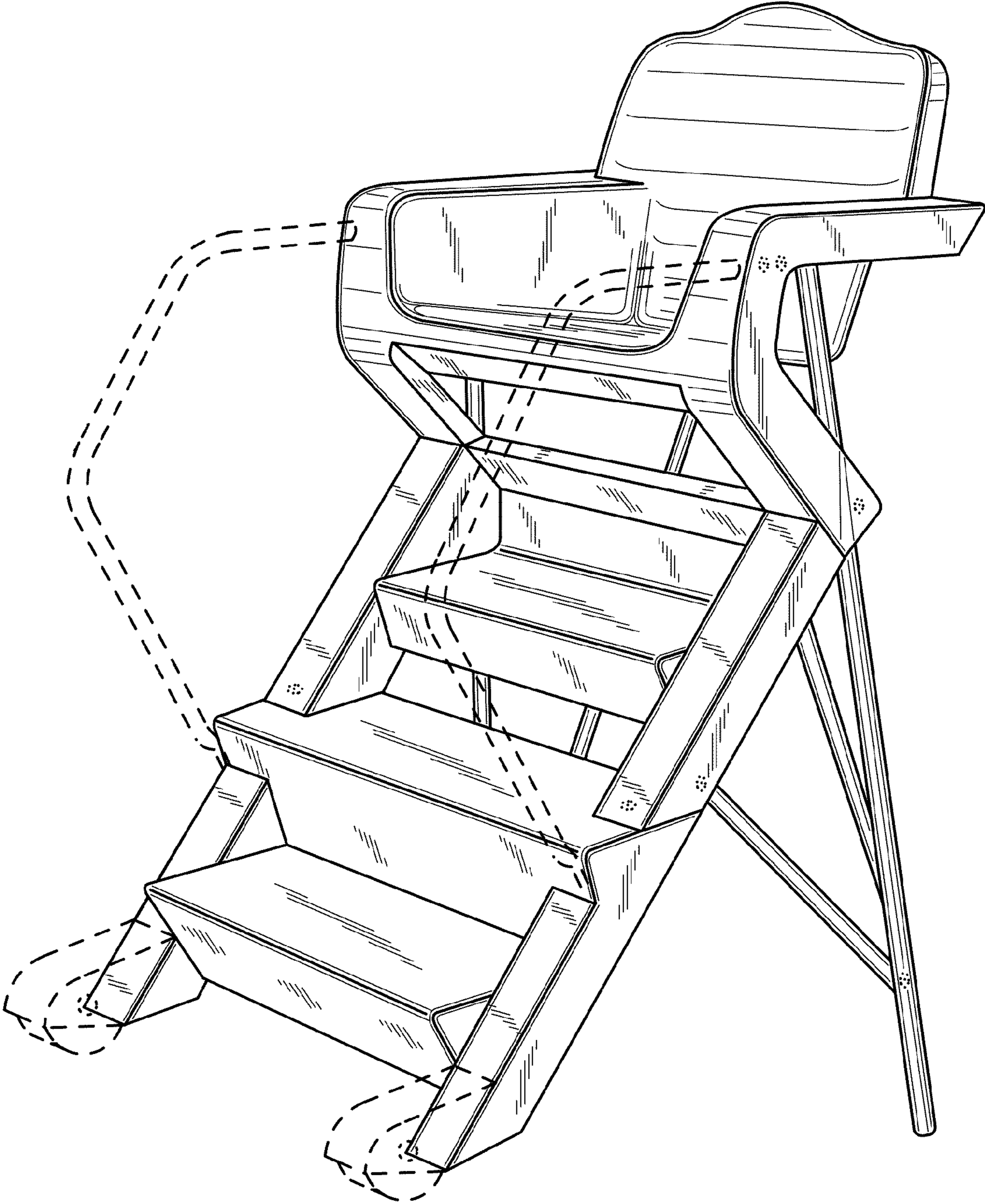


FIG. 1

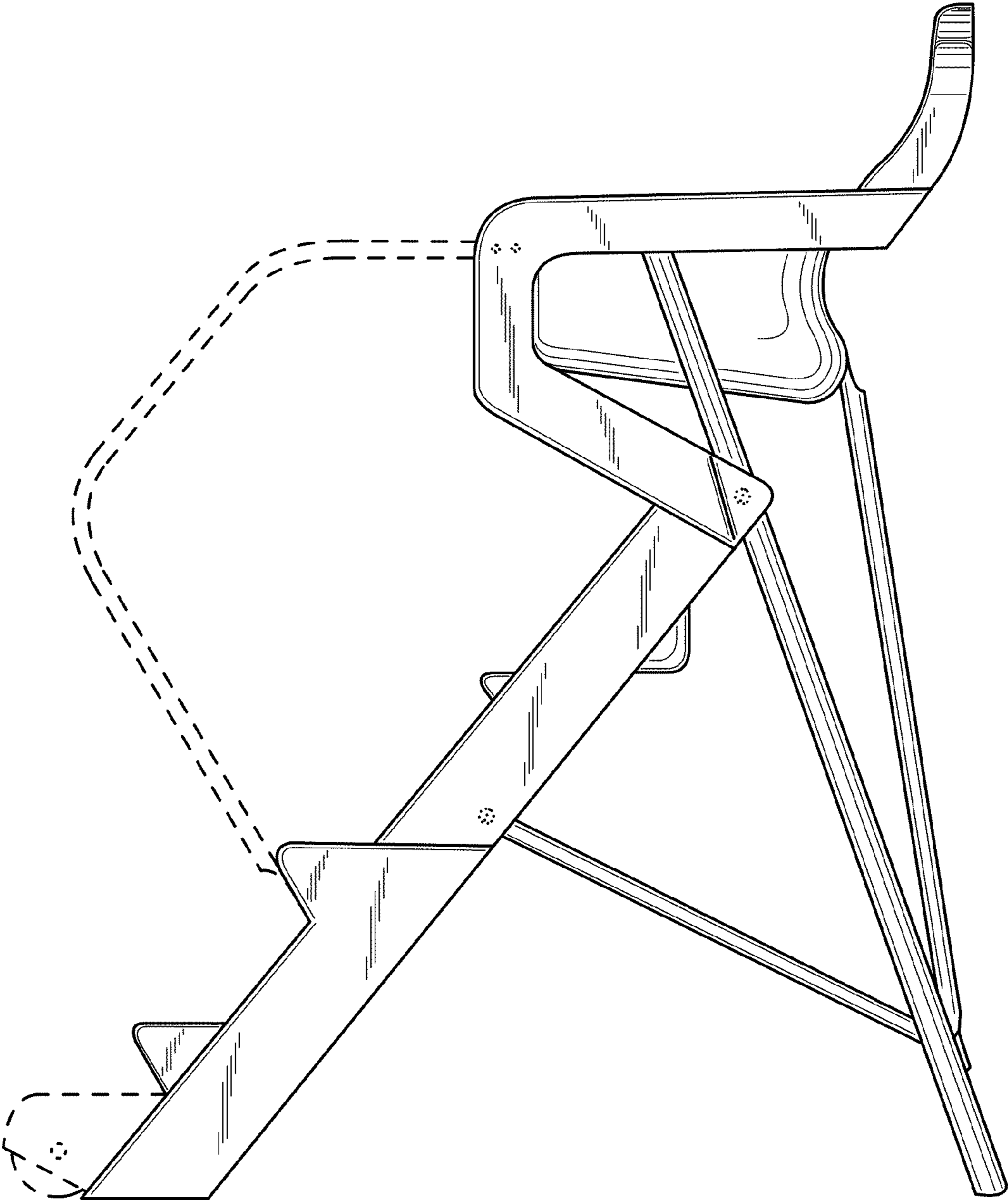


FIG. 2

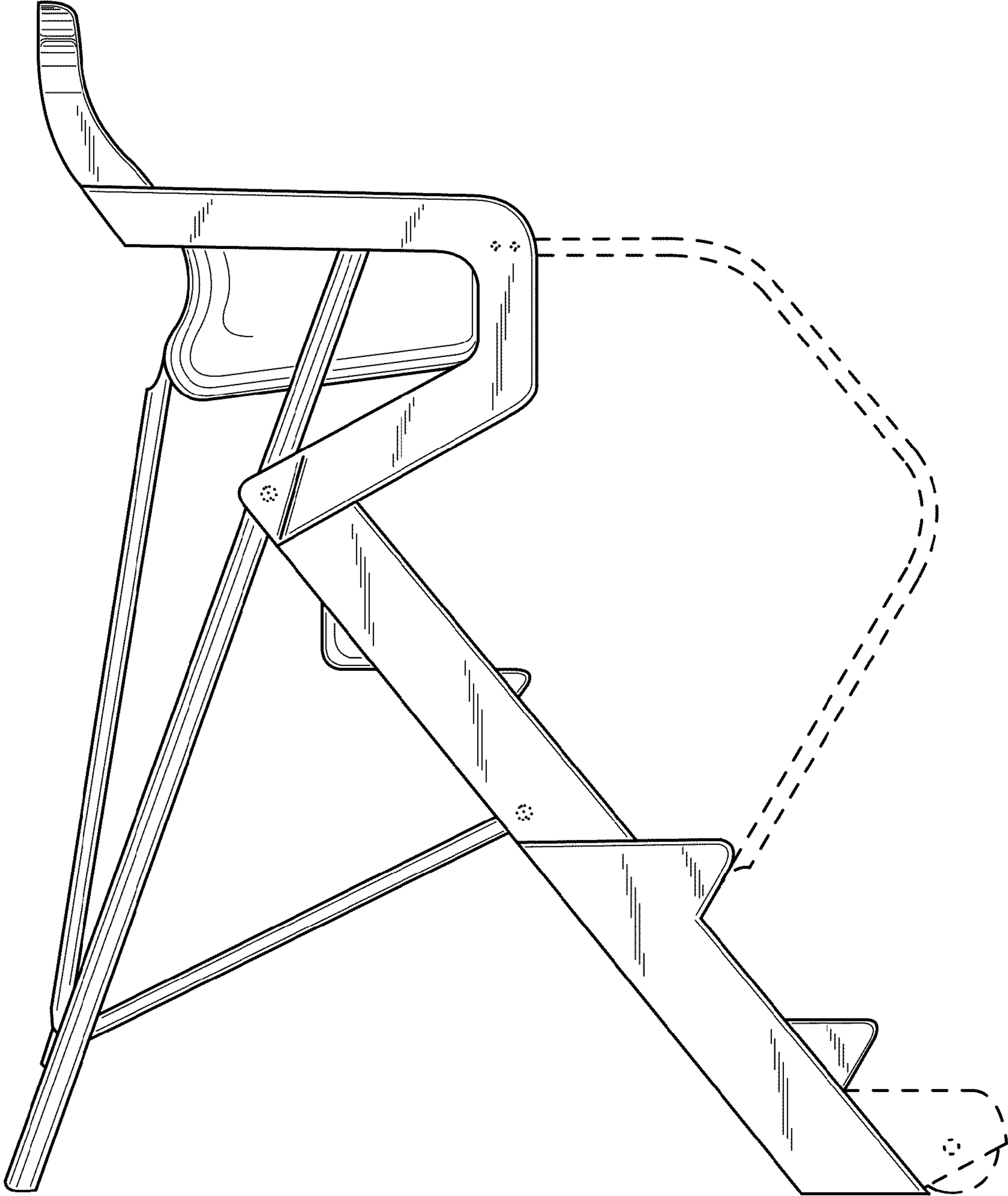


FIG. 3

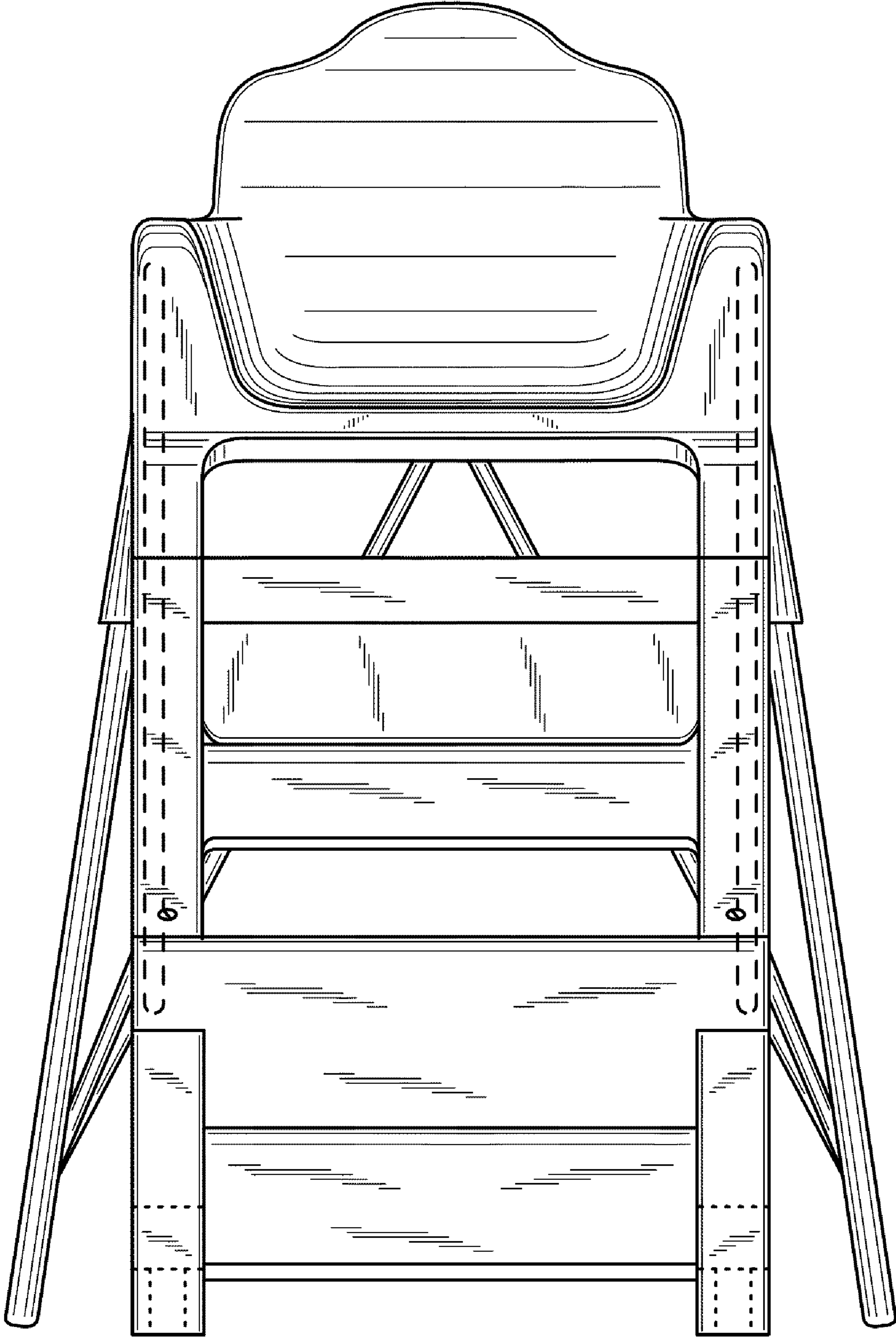


FIG. 4

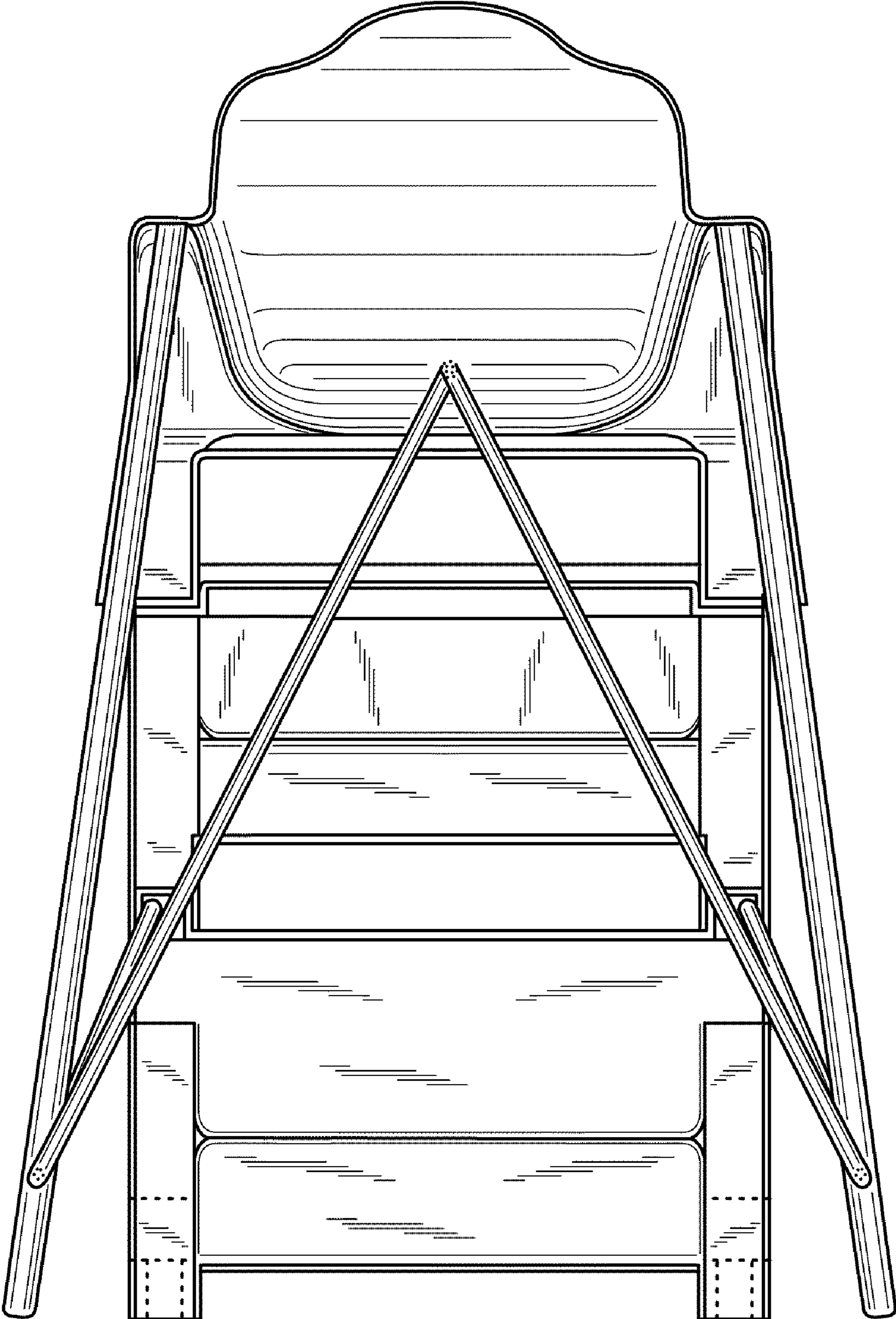


FIG. 5

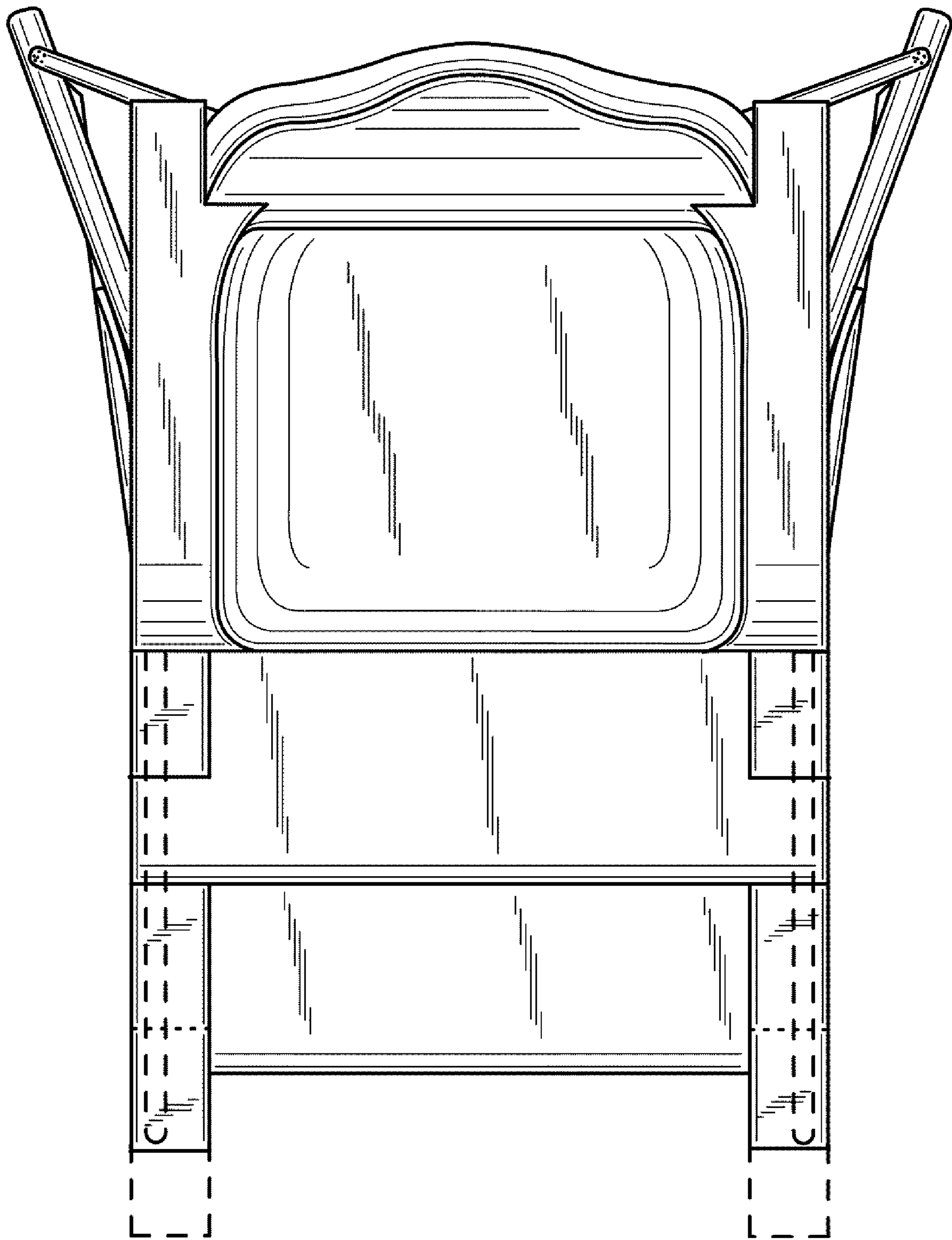


FIG. 6

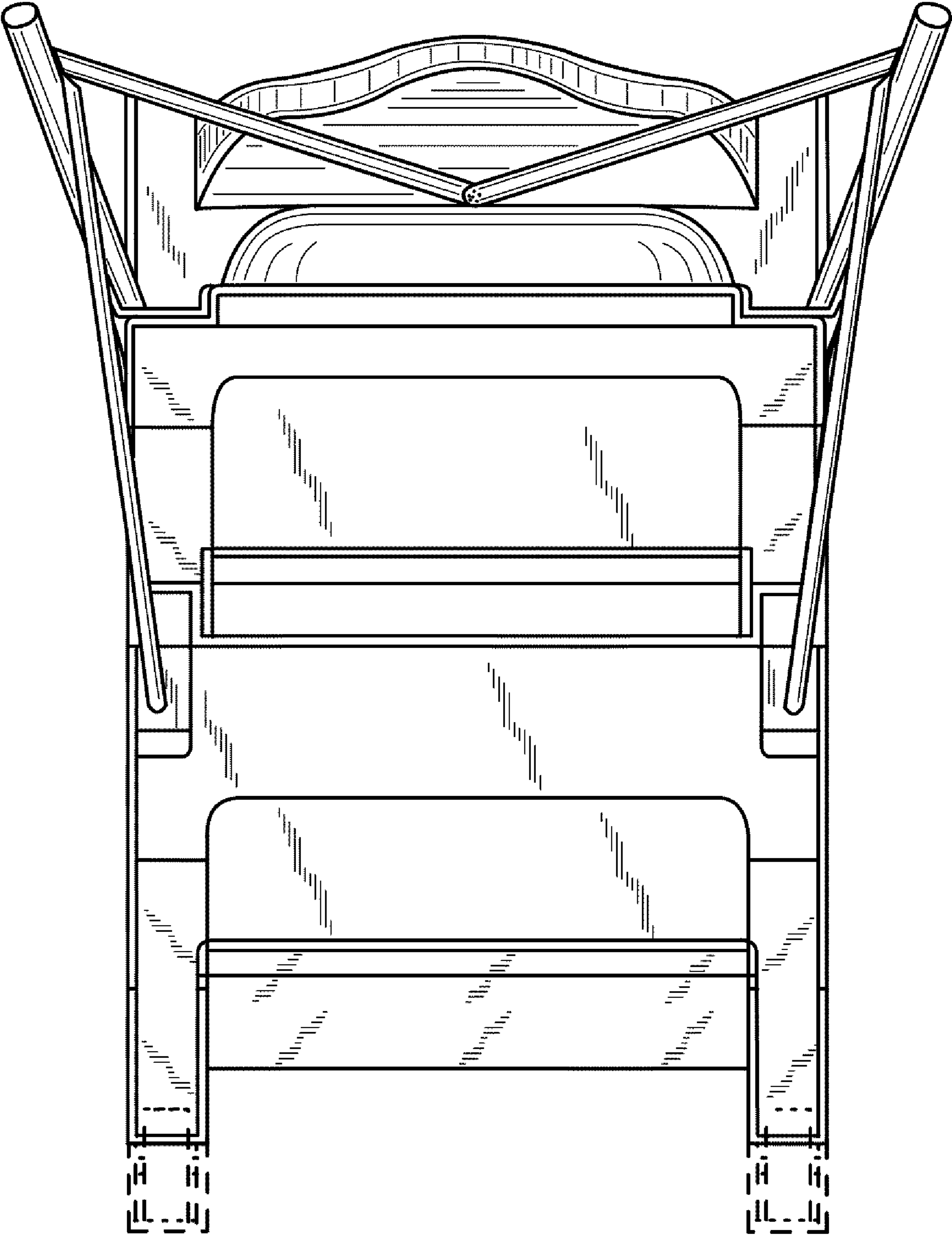


FIG. 7



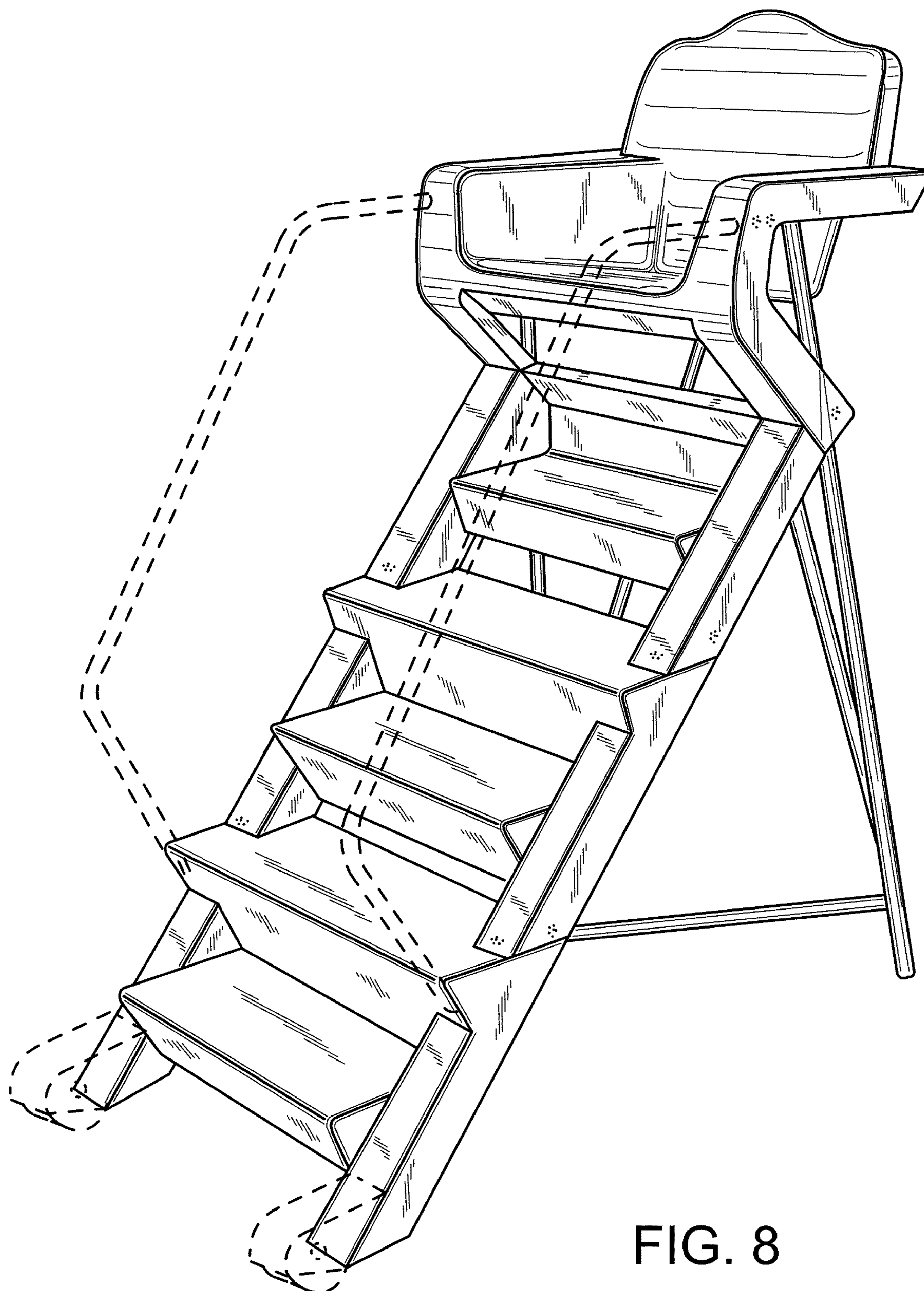


FIG. 8

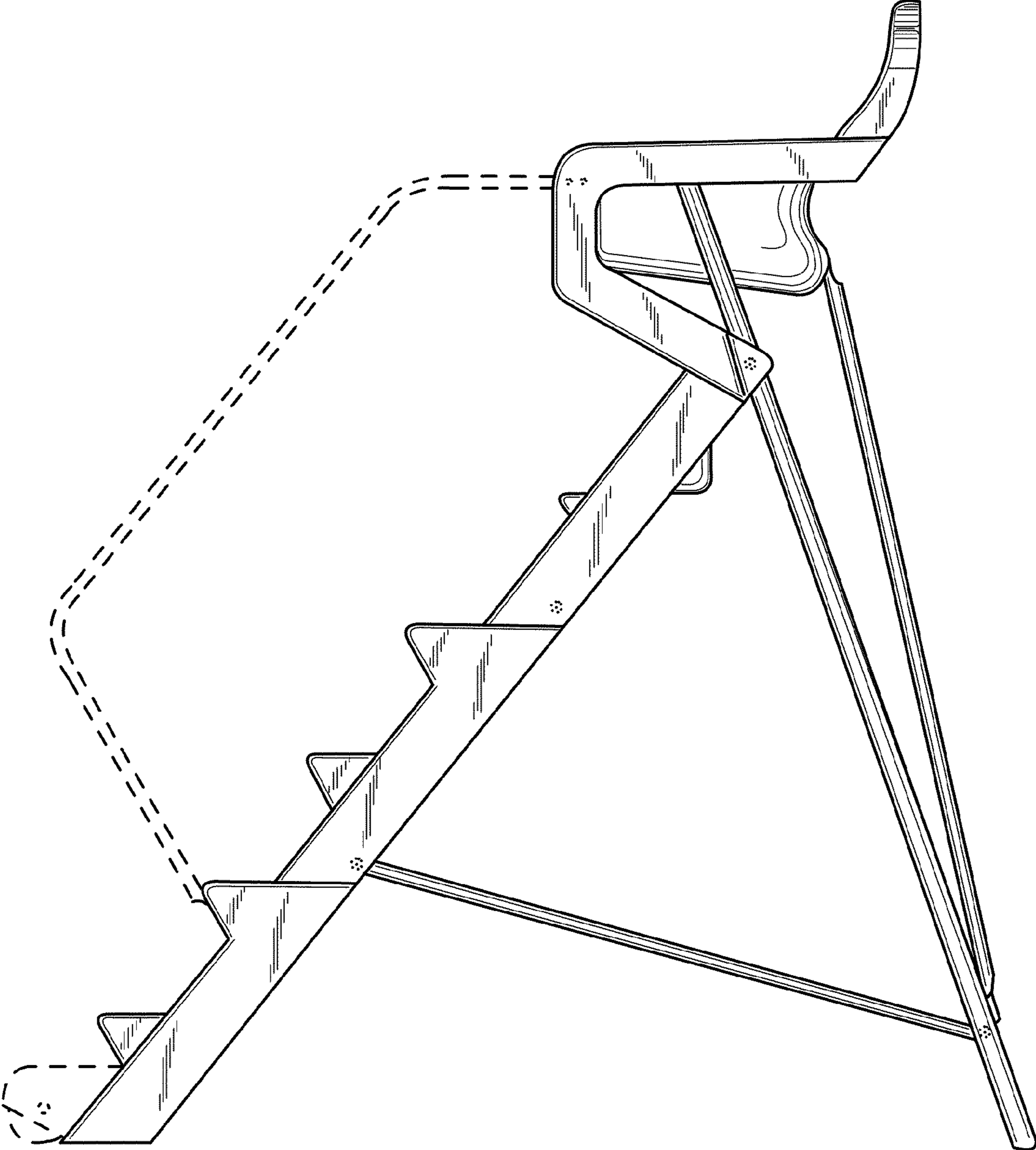


FIG. 9

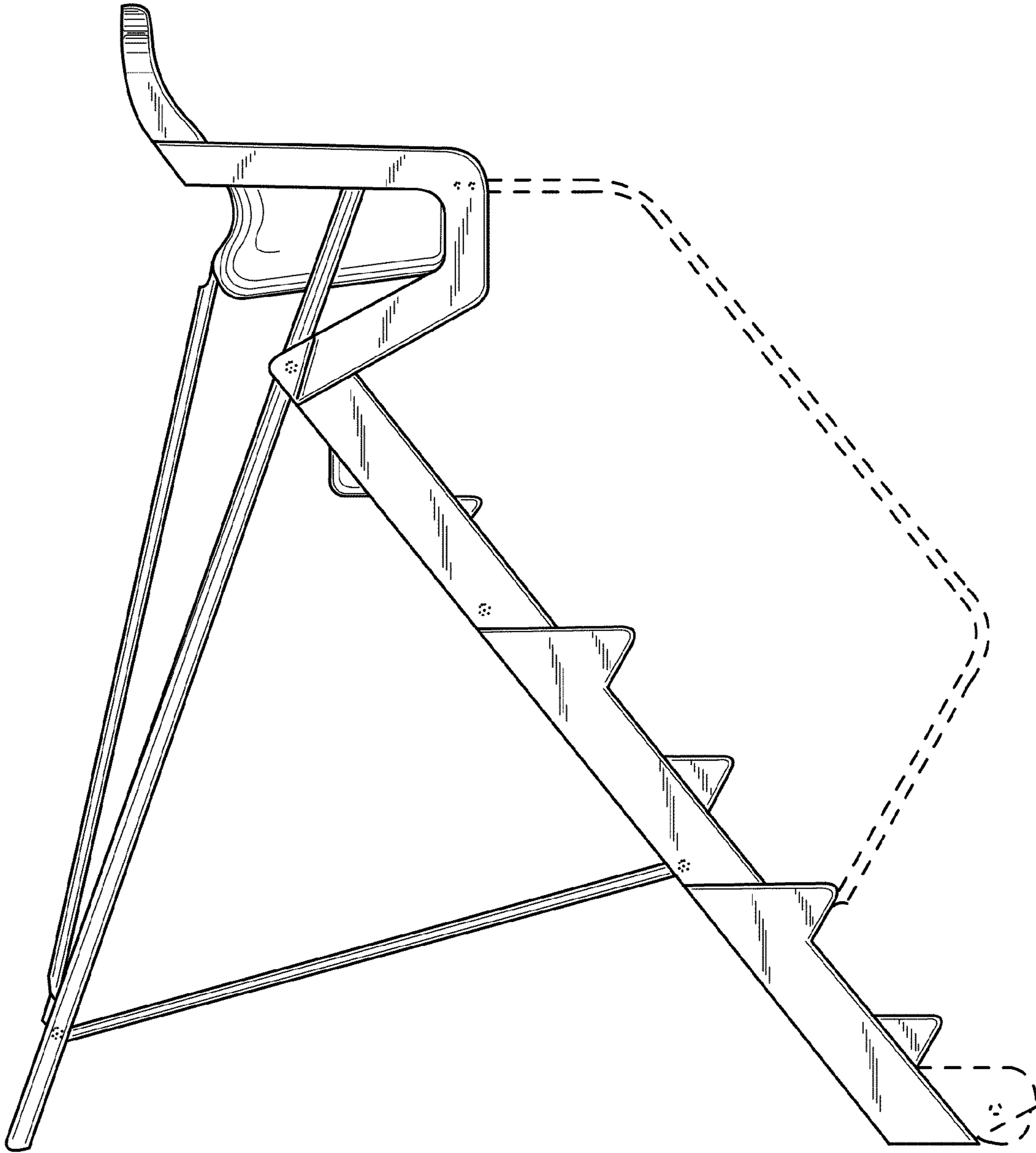


FIG. 10

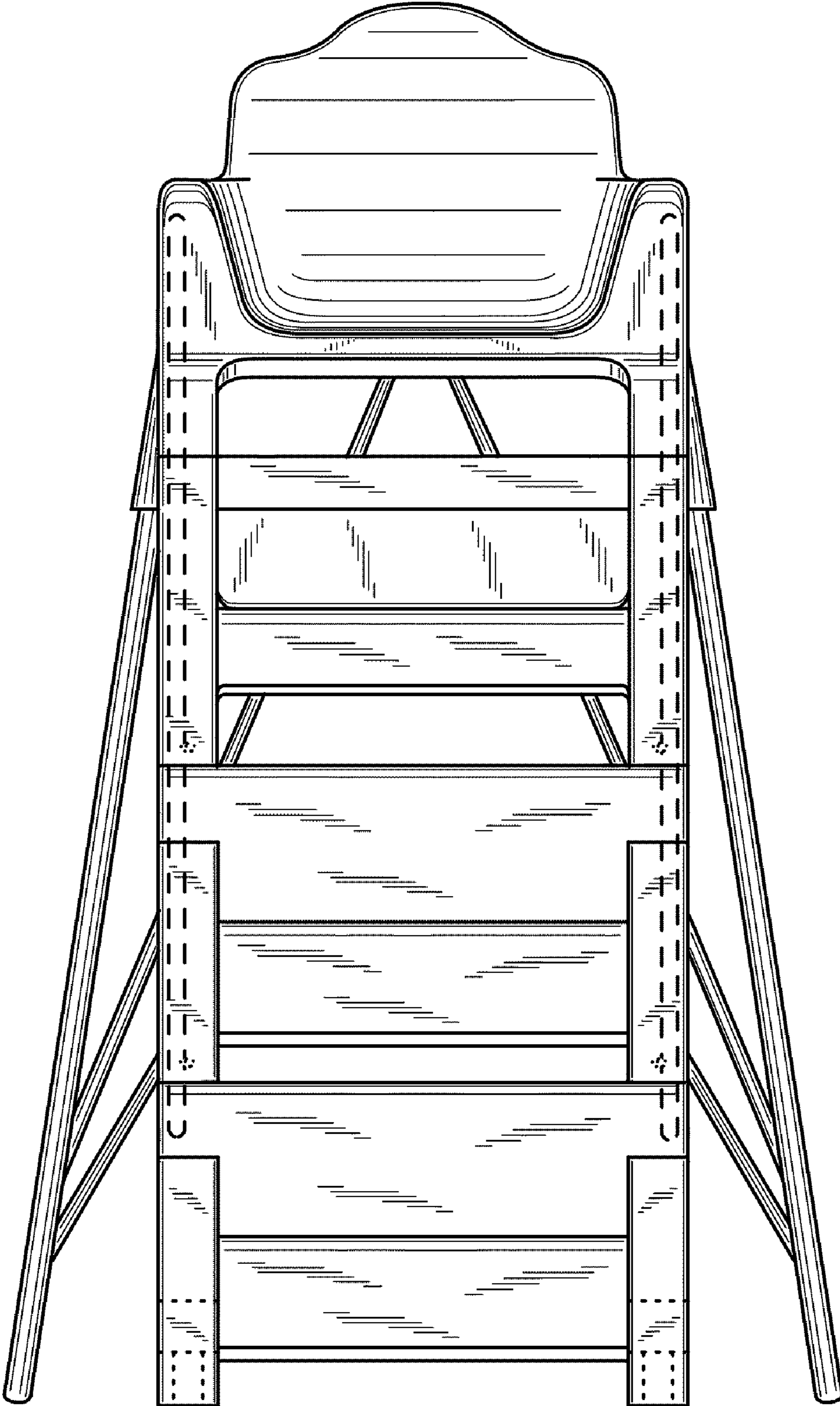


FIG. 11

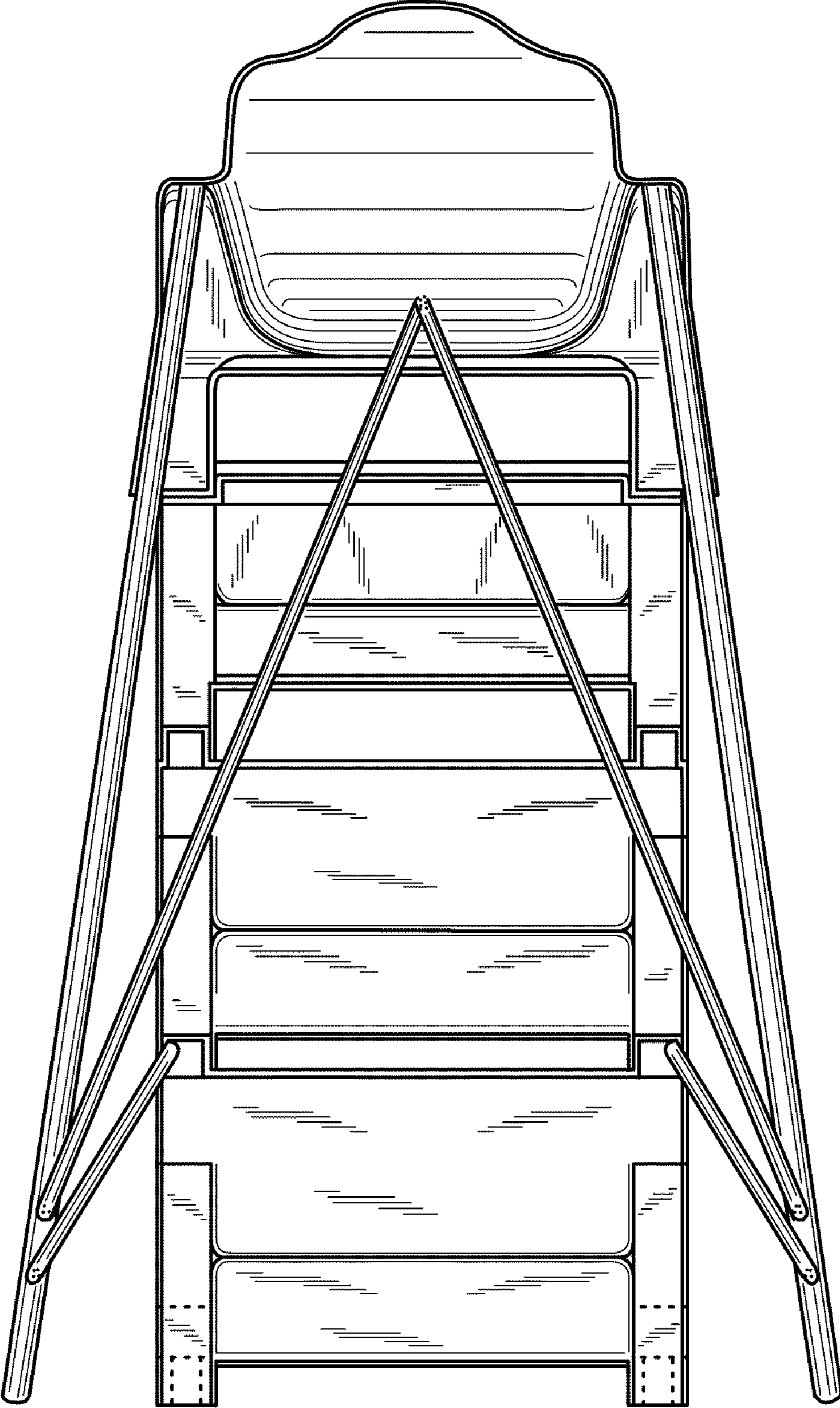


FIG. 12

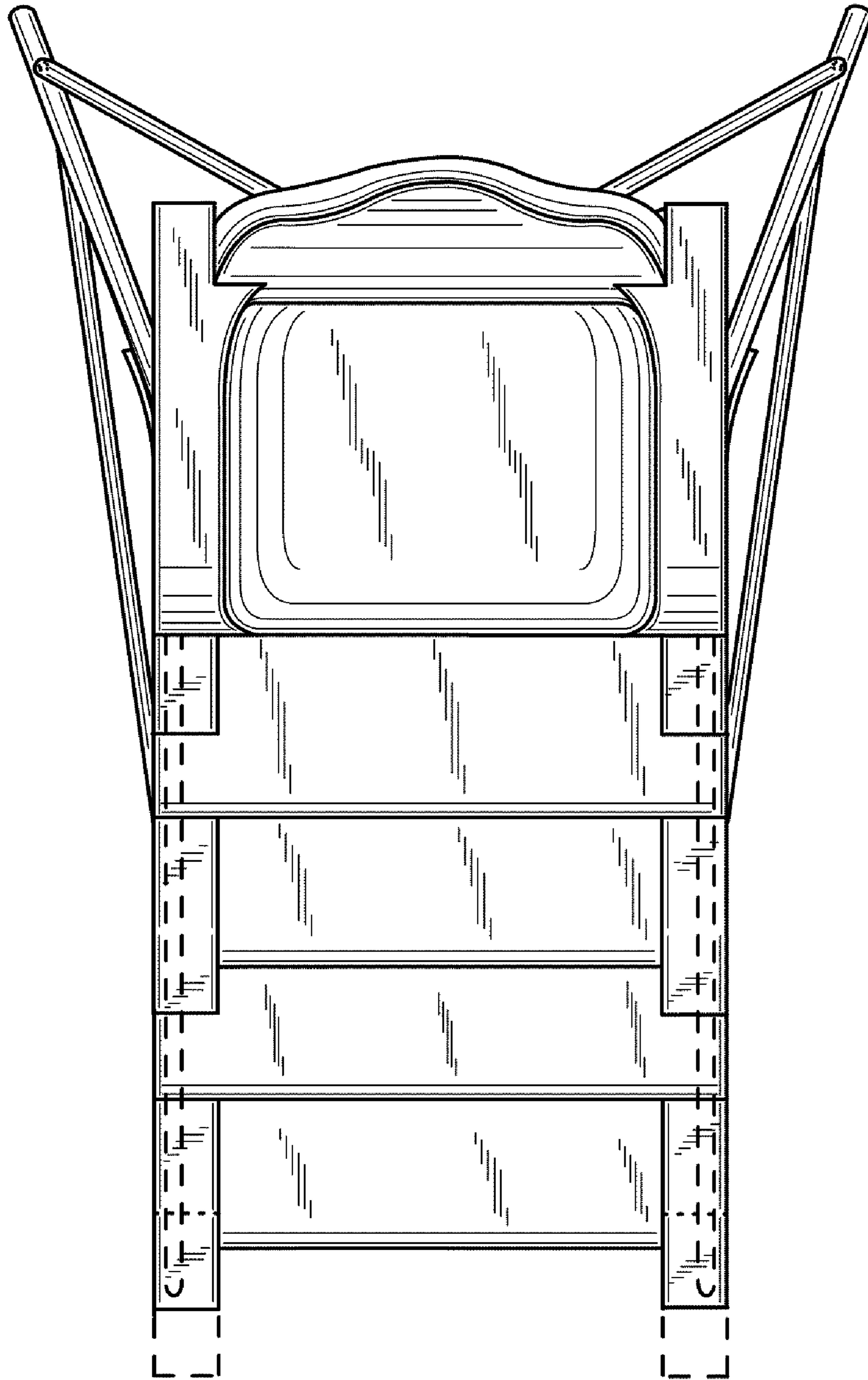


FIG. 13

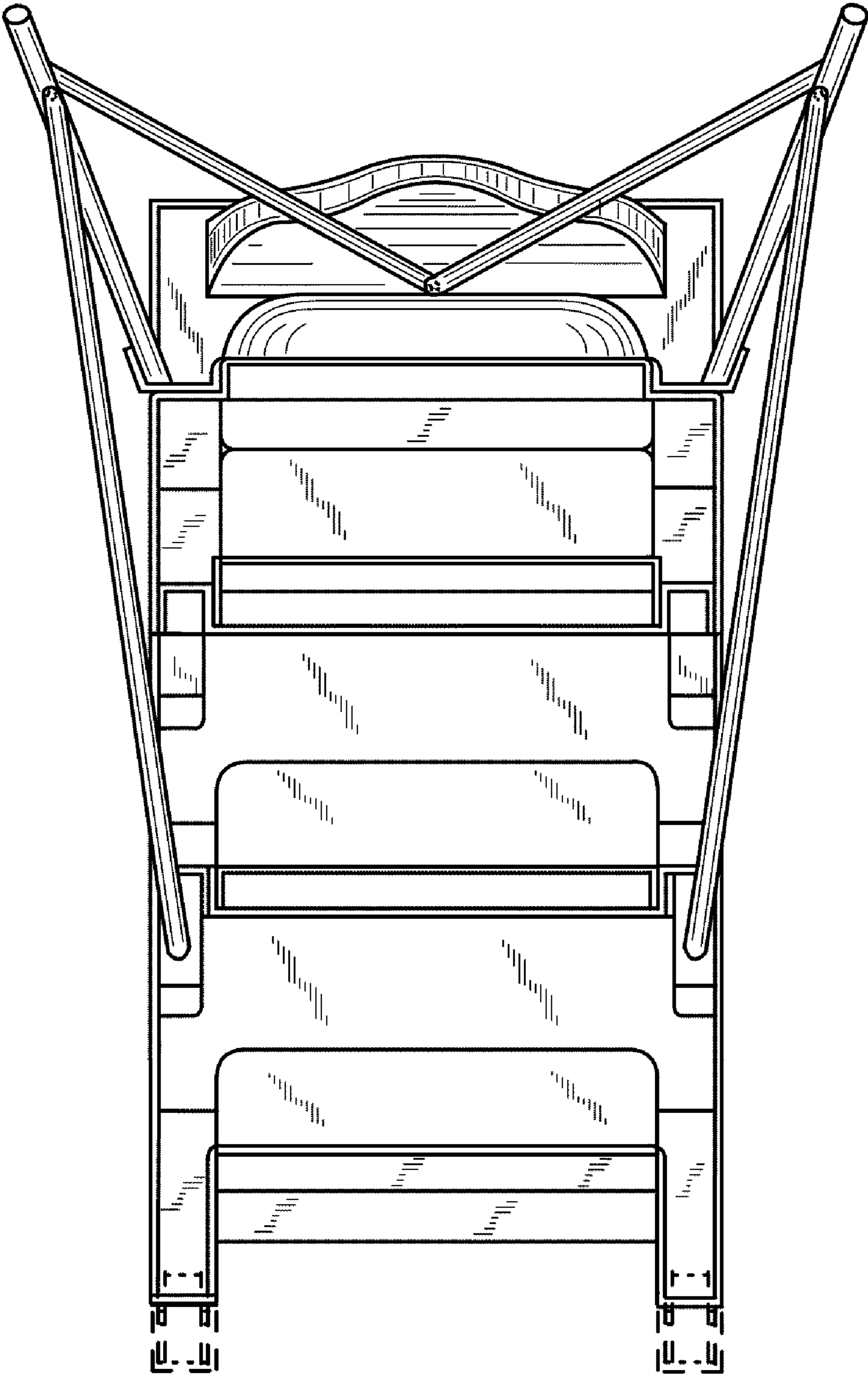


FIG. 14