



US00D640794S

(12) **United States Design Patent**  
**Sunstrum et al.**

(10) **Patent No.:** **US D640,794 S**

(45) **Date of Patent:** **\*\* Jun. 28, 2011**

(54) **SAMPLE COLLECTION TOOL**

(75) Inventors: **Roy Sunstrum**, Richmond (CA); **H. Chaim Birnboim**, Ottawa (CA); **Adele Jackson**, Stittsville (CA); **Rafal Michal Iwasiow**, Ottawa (CA); **Romeo Graham**, Chelsea (CA); **Rod Muir**, South Mountain (CA); **Mike Sirois**, Ottawa (CA); **Michael Beach**, Fitzroy-Harbour (CA); **Ellen Joan Maclean**, Richmond (CA); **Rama Nadia Panford-Walsh**, Ottawa (CA)

(73) Assignee: **DNA Genotek Inc.**, Ontario (CA)

(\*\*) Term: **14 Years**

(21) Appl. No.: **29/358,425**

(22) Filed: **Mar. 26, 2010**

(51) **LOC (9) Cl.** ..... **24-01**

(52) **U.S. Cl.** ..... **D24/216**

(58) **Field of Classification Search** ..... D24/216-226, D24/231, 232; D10/81; 422/500, 547, 549, 422/418, 419, 430; 435/287.1, 288.1; 600/570  
See application file for complete search history.

(56) **References Cited**

U.S. PATENT DOCUMENTS

D221,751	S	*	9/1971	Kronish et al.	.....	D24/223
5,477,863	A	*	12/1995	Grant	.....	600/572
D379,663	S	*	6/1997	Pearson et al.	.....	D24/223
D388,519	S	*	12/1997	Skiffington et al.	.....	D24/223
5,830,154	A	*	11/1998	Goldstein et al.	.....	600/572
D426,313	S	*	6/2000	Woolston et al.	.....	D24/223
6,379,315	B1	*	4/2002	Claren et al.	.....	600/570

D470,240	S	*	2/2003	Niedbala et al.	.....	D24/216
D471,639	S	*	3/2003	McMichael et al.	.....	D24/216
7,005,109	B2	*	2/2006	Husar	.....	422/500
D580,070	S	*	11/2008	Riley	.....	D24/216
D626,249	S	*	10/2010	Wang et al.	.....	D24/223
7,854,895	B2	*	12/2010	Gallagher et al.	.....	422/553

\* cited by examiner

*Primary Examiner* — T. Chase Nelson

*Assistant Examiner* — Anhdao Doan

(74) *Attorney, Agent, or Firm* — James H. Velerna, Esq.; Lathrop & Gage LLP

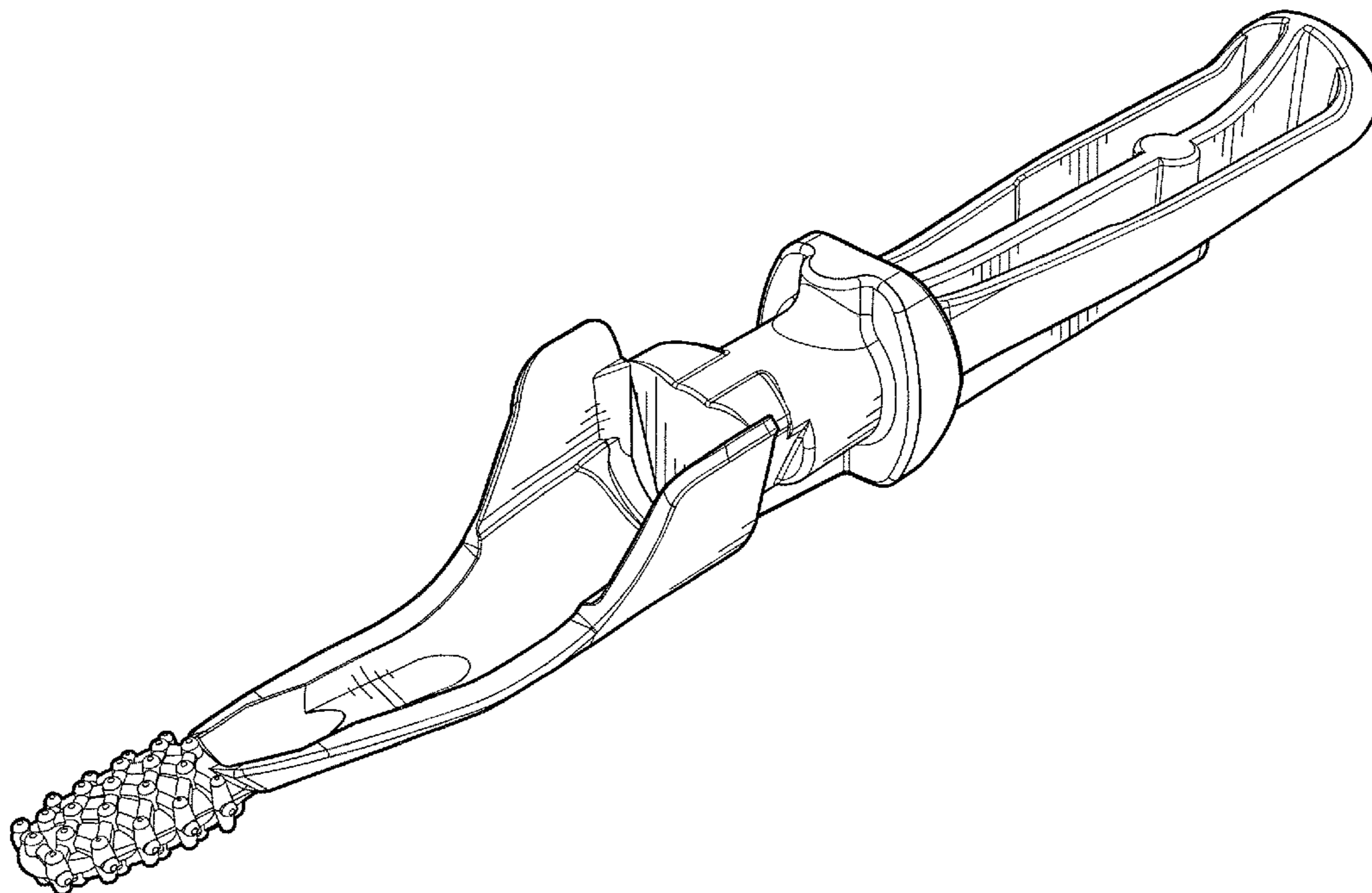
(57) **CLAIM**

The ornamental design for a sample collection tool, as shown and described.

**DESCRIPTION**

FIG. 1 is a front perspective view showing a sample collection tool according to a first embodiment of our design;  
 FIG. 2 is a rear perspective view thereof;  
 FIG. 3 is a top perspective view thereof;  
 FIG. 4 is a front plan view thereof;  
 FIG. 5 is a side plan view thereof;  
 FIG. 6 is a rear plan view thereof;  
 FIG. 7 is a bottom plan view thereof;  
 FIG. 8 is a top plan view thereof;  
 FIG. 9 is a front perspective view showing a sample collection tool according to a second embodiment of our design;  
 FIG. 10 is a rear perspective view thereof;  
 FIG. 11 is a top perspective view thereof;  
 FIG. 12 is a is a front plan view thereof;  
 FIG. 13 is a is a side plan view thereof;  
 FIG. 14 is a is a rear plan view thereof; and,  
 FIG. 15 is a top plan view thereof.

**1 Claim, 10 Drawing Sheets**



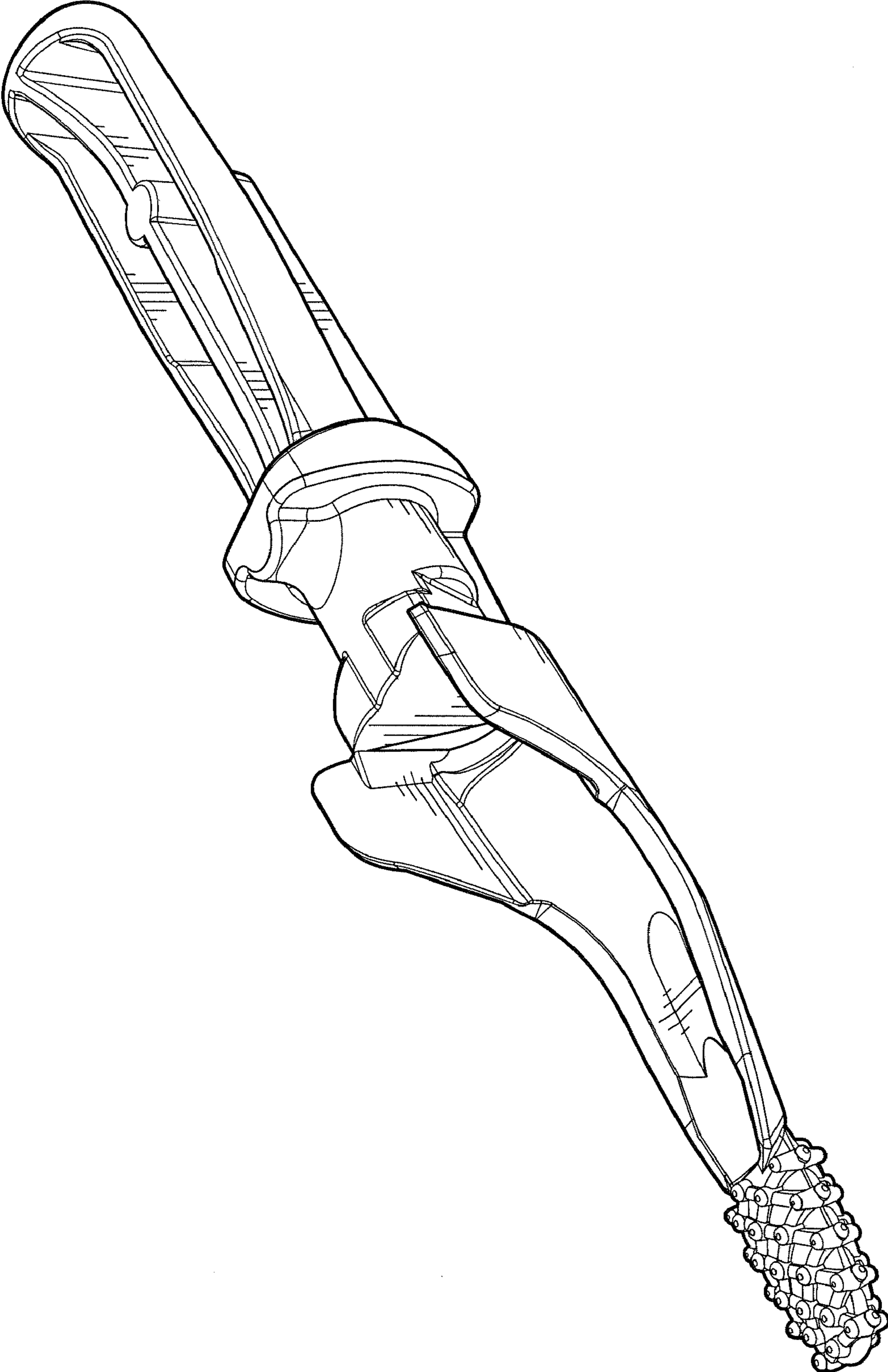
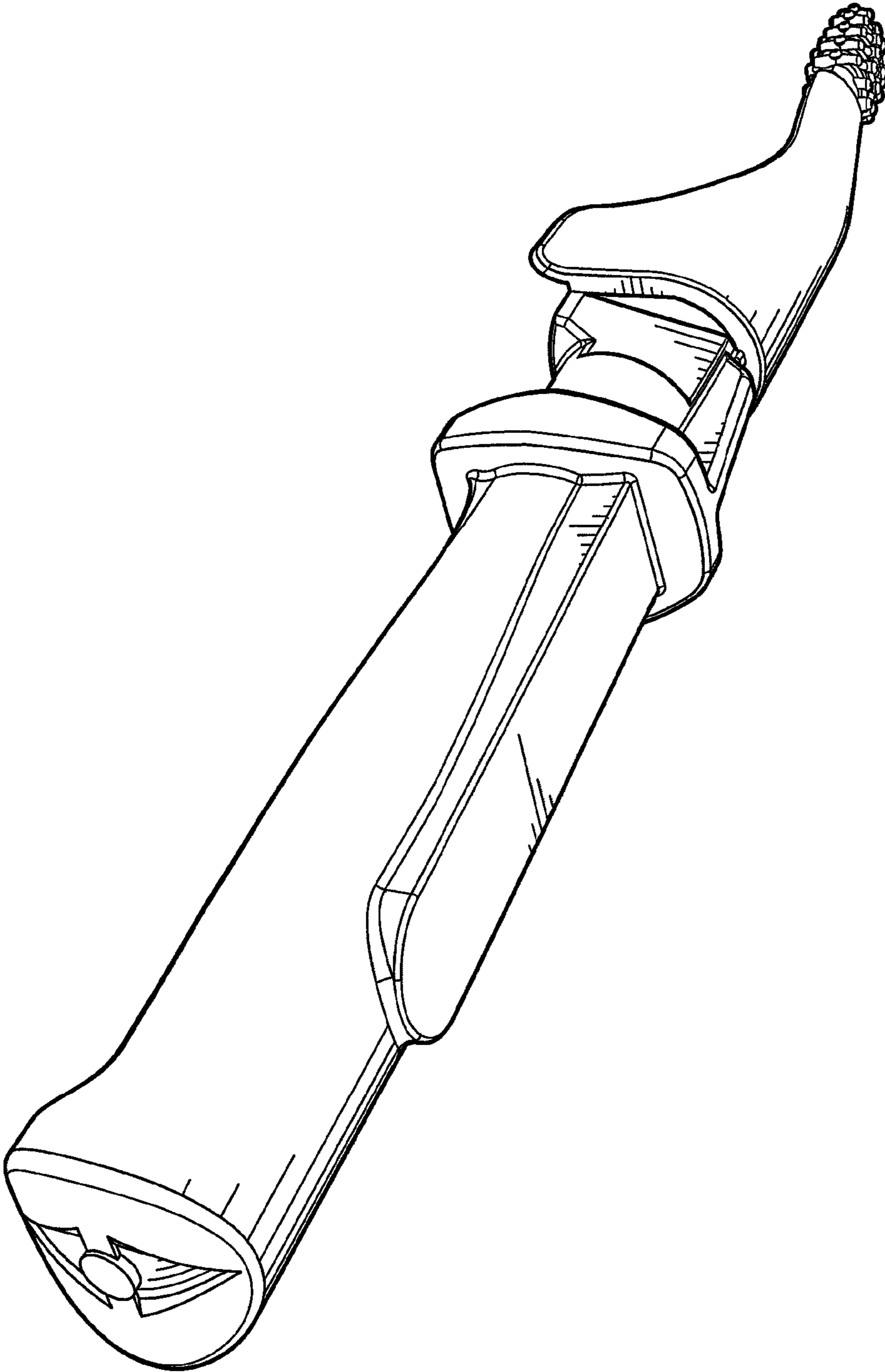


FIG. 1



**FIG. 2**

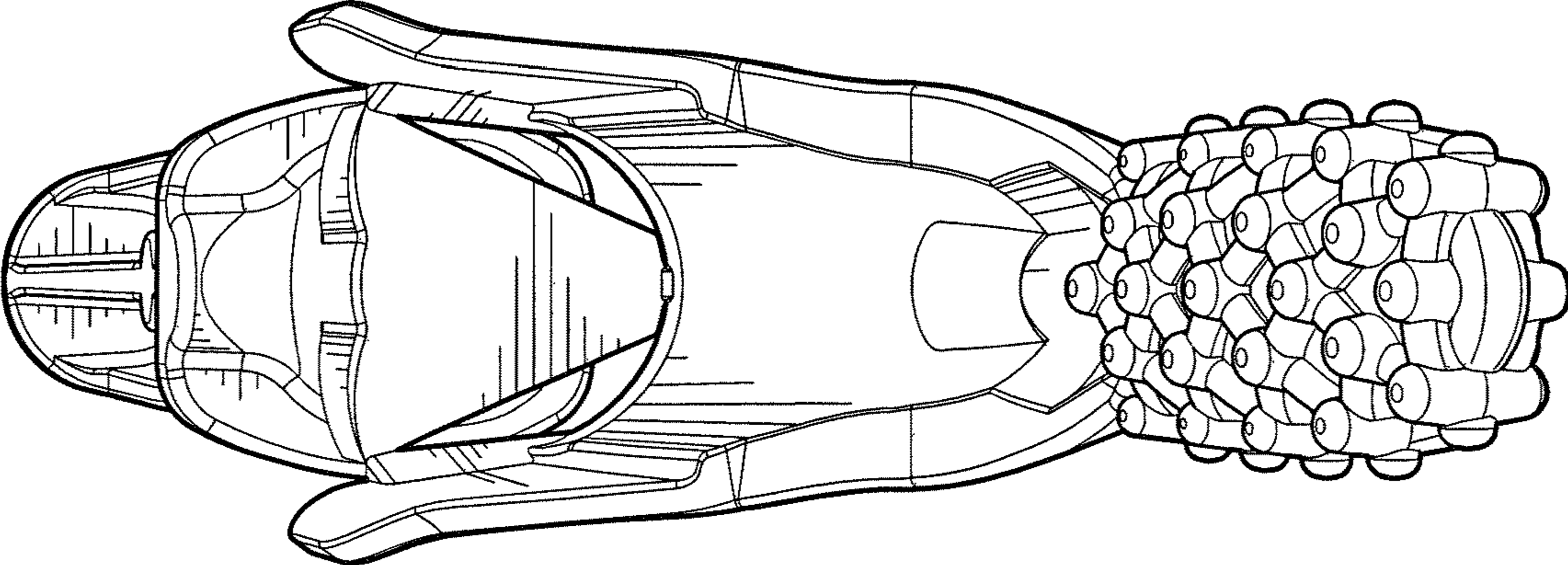
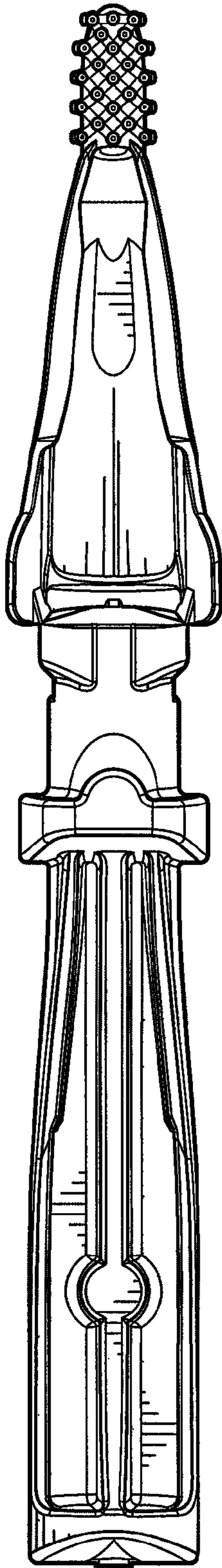
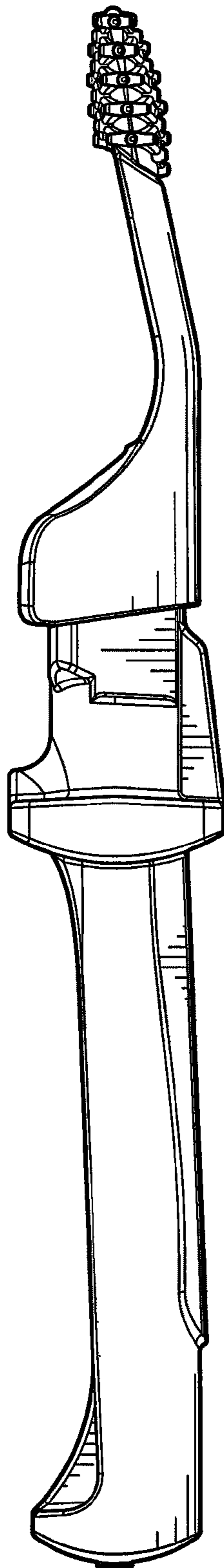


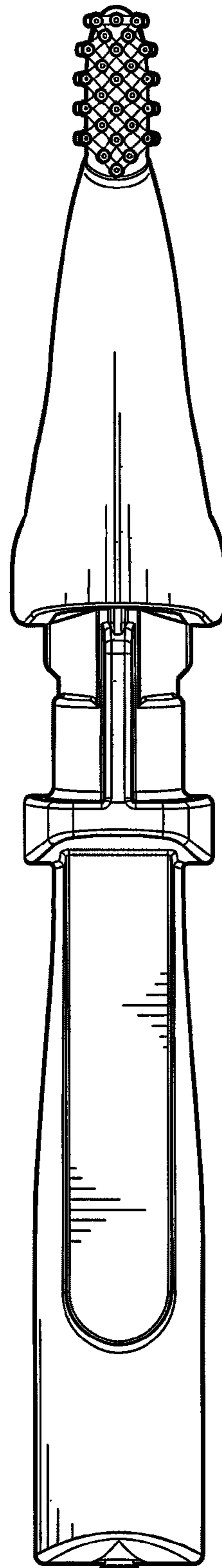
FIG. 3



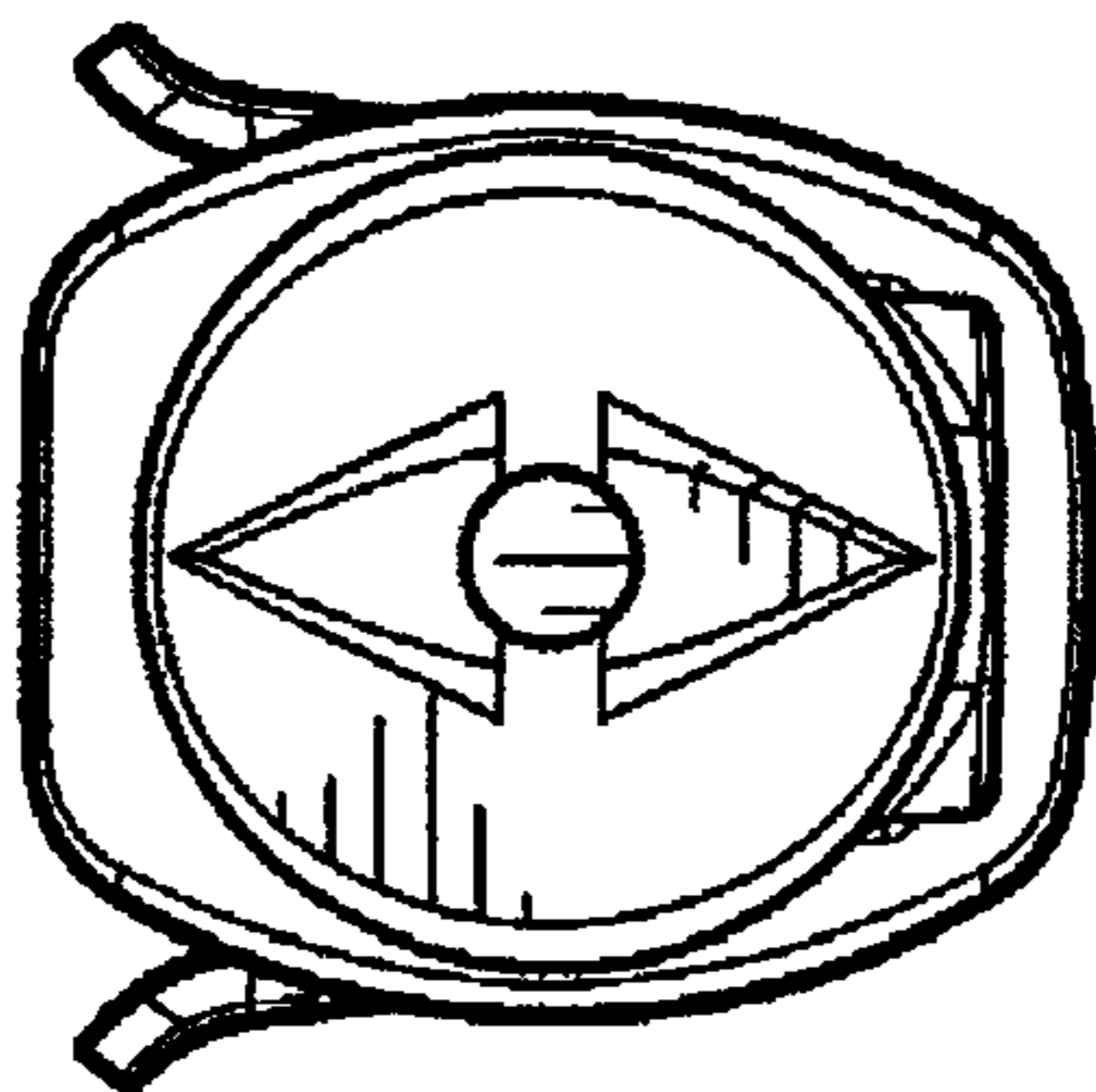
**FIG. 4**



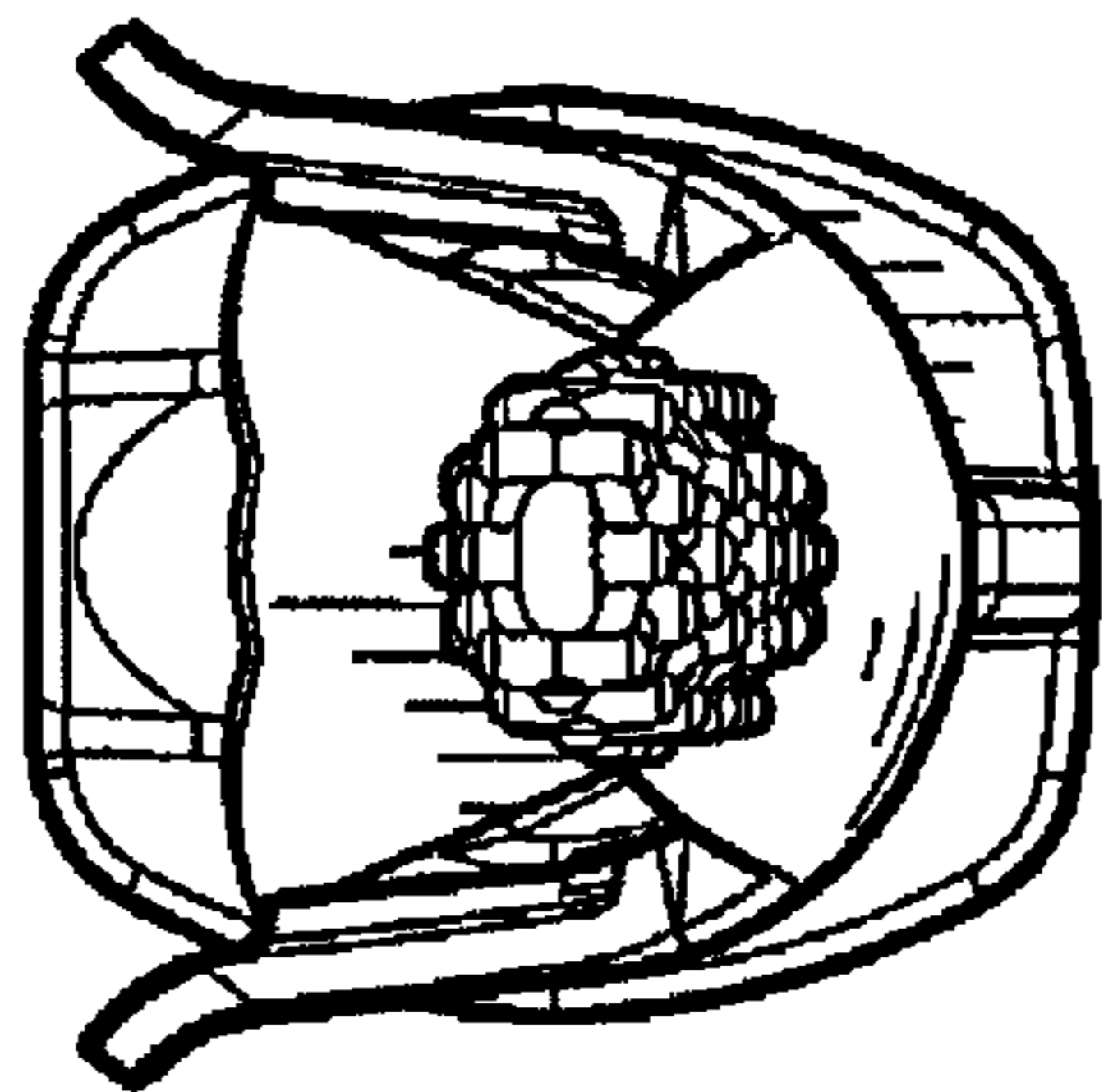
**FIG. 5**



**FIG. 6**



**FIG. 7**



**FIG. 8**

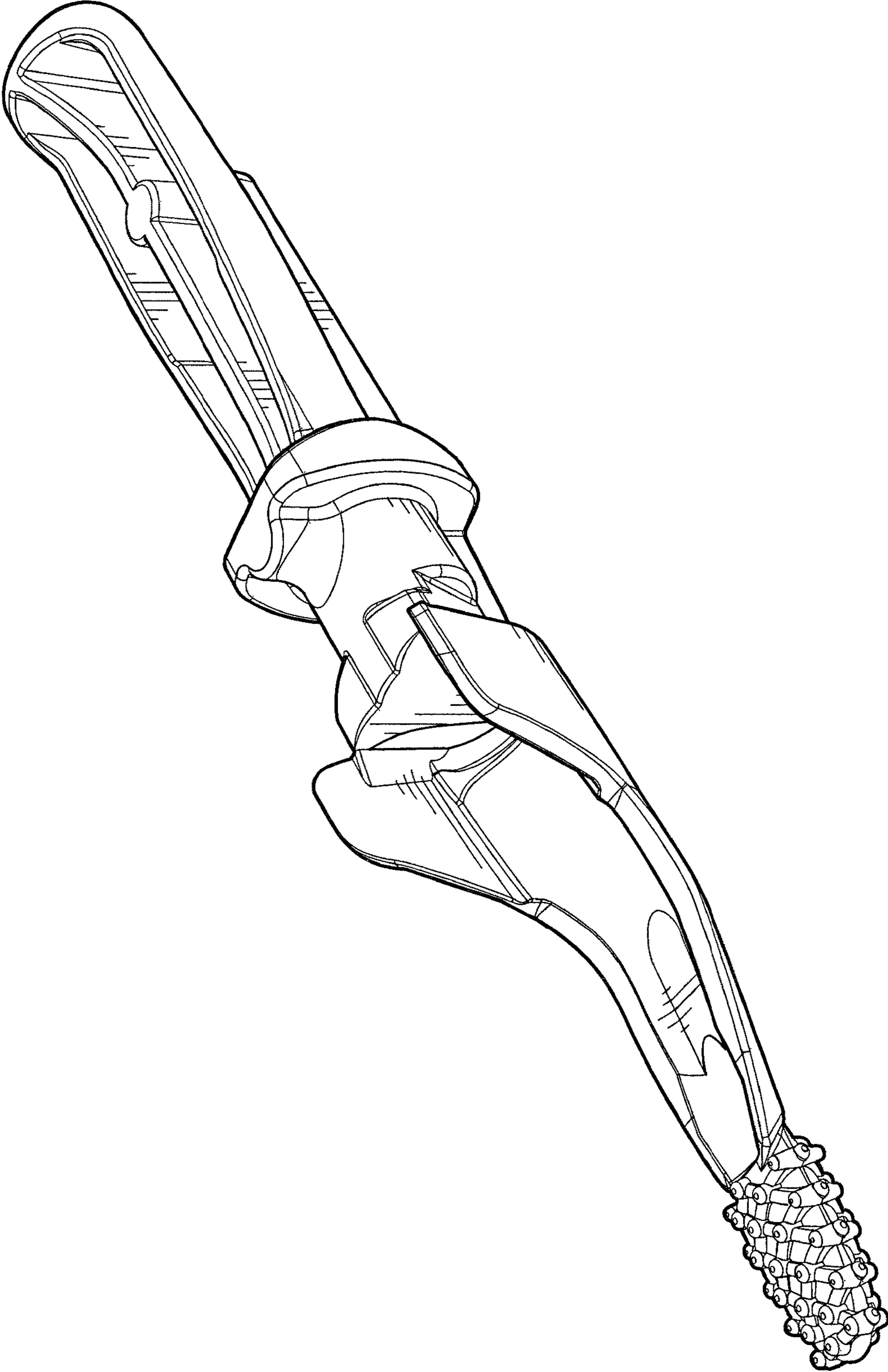


FIG. 9

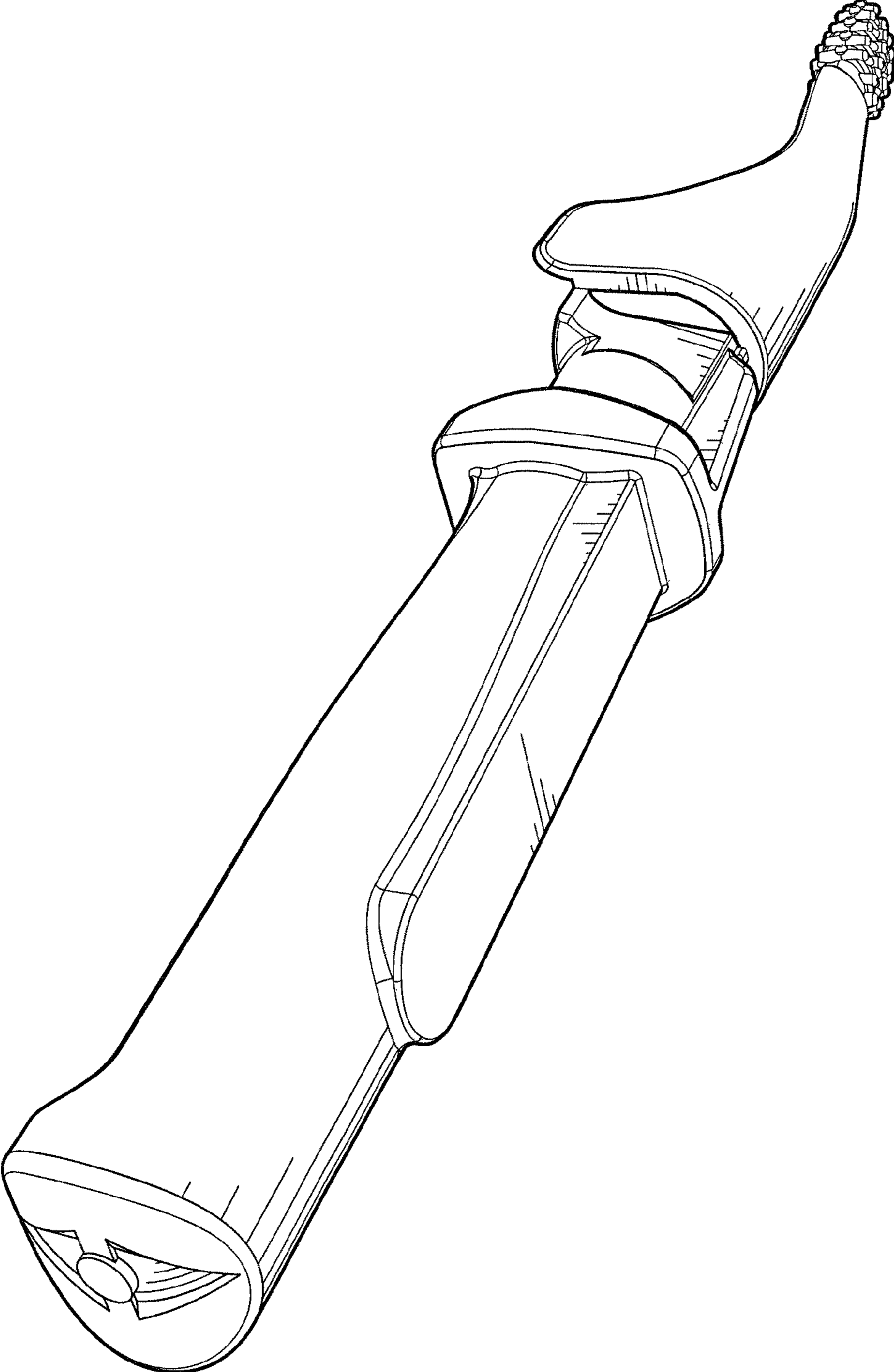


FIG. 10



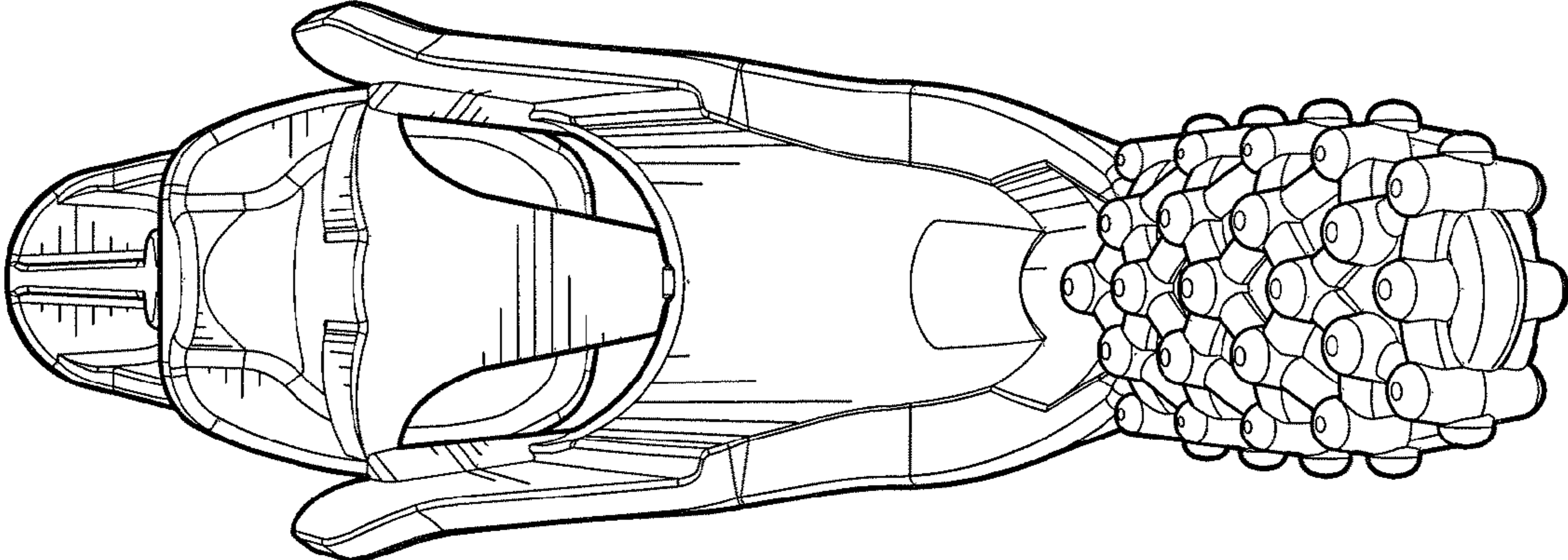


FIG. 11

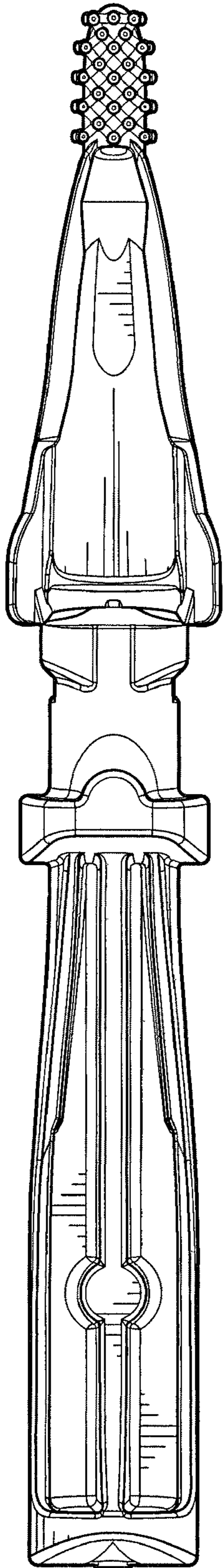


FIG. 12

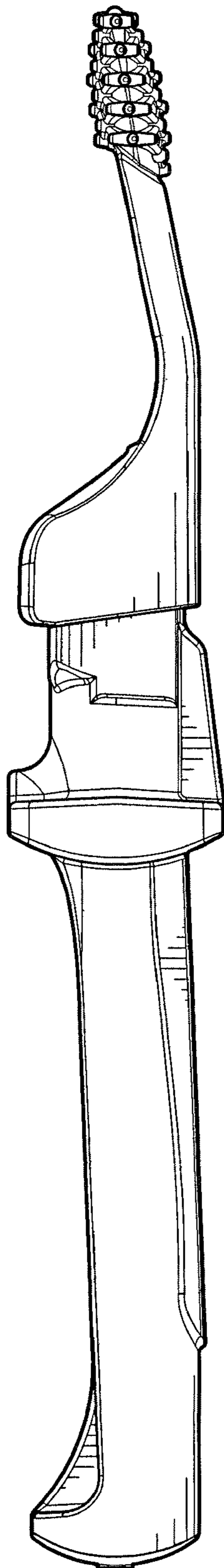


FIG. 13

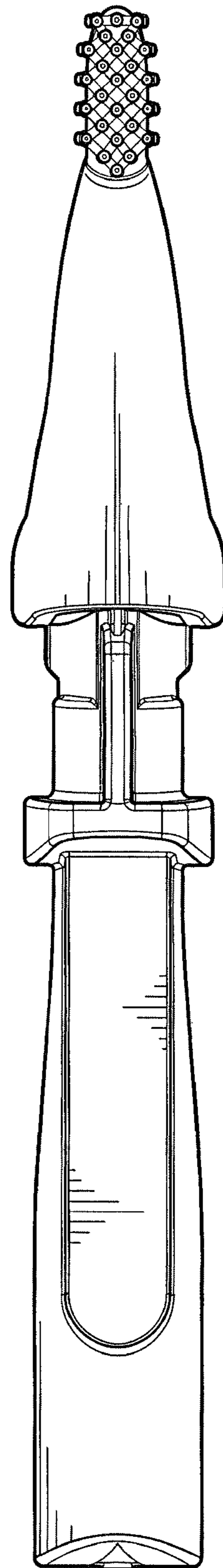
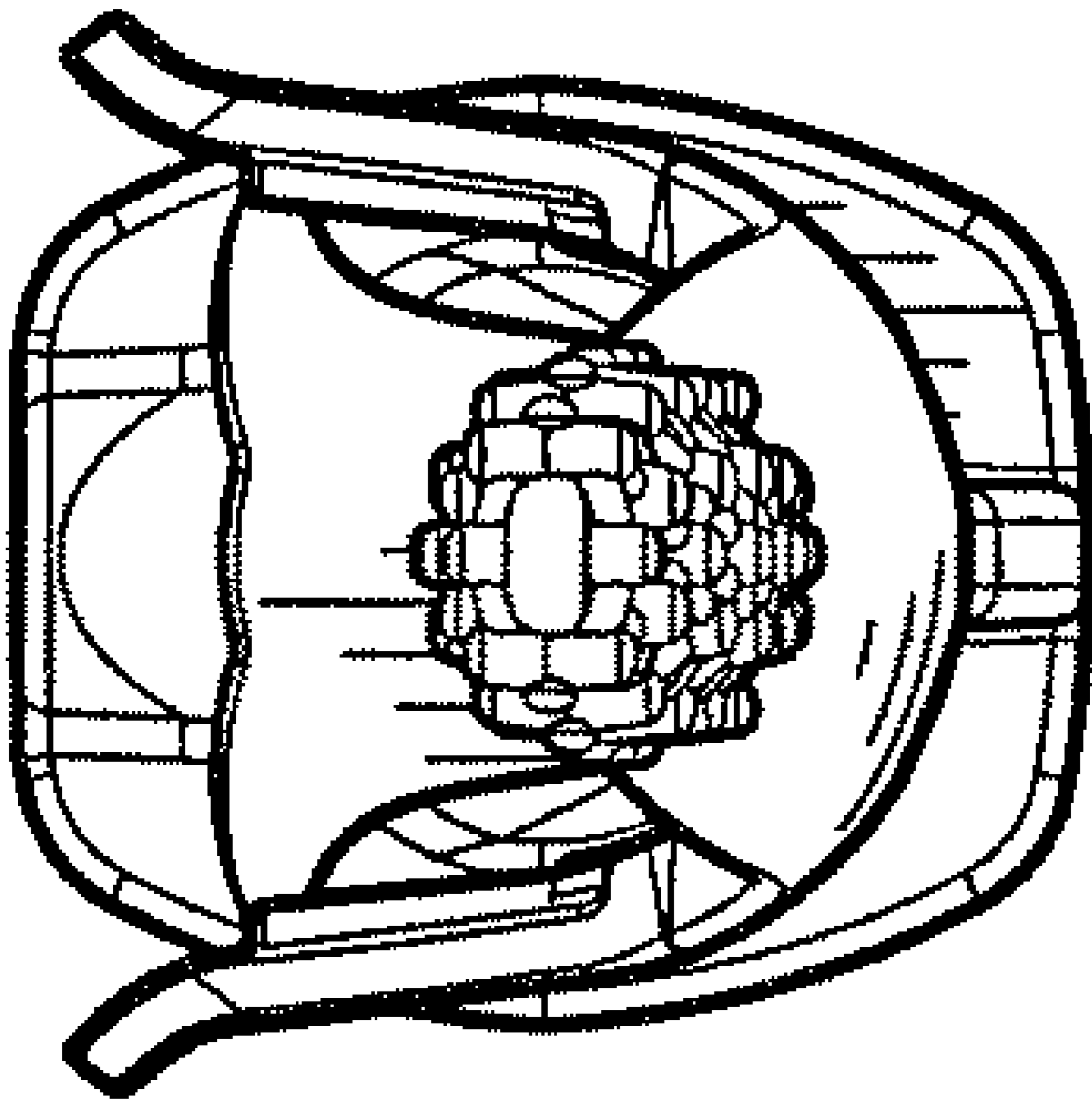


FIG. 14



**FIG. 15**