



US00D640793S

(12) **United States Design Patent**
Britt

(10) **Patent No.:** **US D640,793 S**

(45) **Date of Patent:** **** Jun. 28, 2011**

(54) **PORTABLE THERAPEUTIC LIGHT DEVICE**

(76) Inventor: **James Britt**, Nashville, TN (US)

(**) Term: **14 Years**

(21) Appl. No.: **29/378,991**

(22) Filed: **Nov. 12, 2010**

(51) **LOC (9) Cl.** **28-03**

(52) **U.S. Cl.** **D24/209; D26/39; D26/50**

(58) **Field of Classification Search** D26/37,
D26/38, 39, 46, 51; 362/104, 103, 105, 106,
362/108, 253, 157, 158, 194, 195, 200, 201,
362/572; D24/209, 210; 606/90; 607/88,
607/90, 91, 100, 108-110; D29/103, 102

See application file for complete search history.

D556,951 S * 12/2007 Gath D29/122
2009/0034238 A1 * 2/2009 Hurwitz 362/106
2009/0237917 A1 * 9/2009 Kutnyak 362/106
2010/0277895 A1 * 11/2010 Huang 362/105
2011/0015707 A1 * 1/2011 Tucker et al. 607/90
2011/0051400 A1 * 3/2011 Cohen et al. 362/106

* cited by examiner

Primary Examiner — Ian Simmons

Assistant Examiner — Carissa C Fitts

(74) *Attorney, Agent, or Firm* — Ballard Spahr LLP

(57) **CLAIM**

The ornamental design for a portable therapeutic light device, as shown and described.

DESCRIPTION

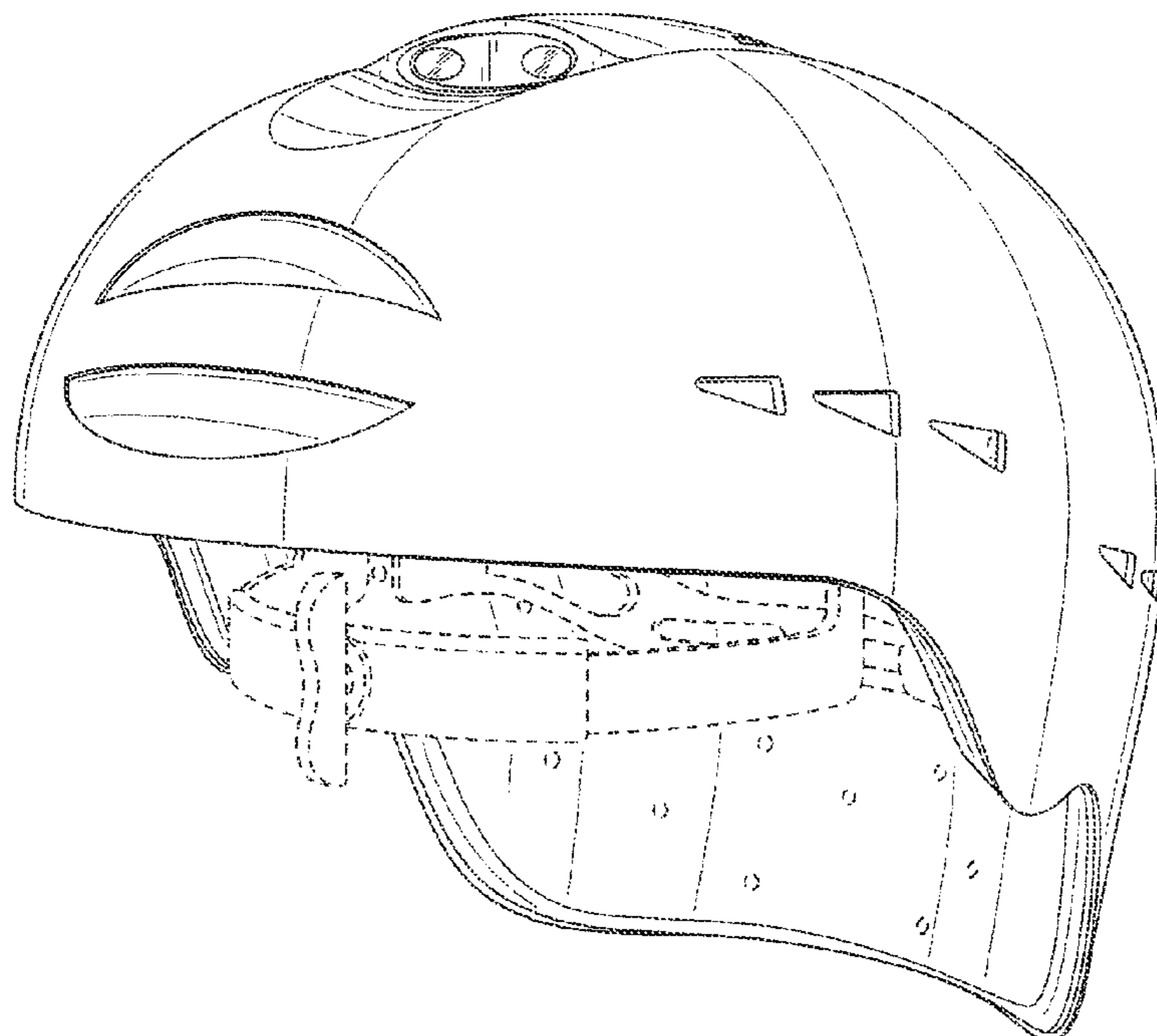
FIG. 1 is a perspective view of a portable therapeutic light device of the present invention; FIG. 2 is a front elevational view of the device of FIG. 1; FIG. 3 is a rear elevational view of the device of FIG. 1; FIG. 4 is a right side elevational view of the device of FIG. 1; FIG. 5 is a left side elevational view of the device of FIG. 1; FIG. 6 is a top elevational view of the device of FIG. 1; and, FIG. 7 is a bottom elevational view of the device of FIG. 1. The broken line showing in FIGS. 1, 2, 4, 5, and 7 is for illustrative purposes only and forms no part of the claimed design.

1 Claim, 7 Drawing Sheets

(56) **References Cited**

U.S. PATENT DOCUMENTS

D176,073 S * 11/1955 Mantell D29/103
D226,677 S * 4/1973 Carlini D26/39
4,559,586 A * 12/1985 Slarve 362/106
5,228,431 A * 7/1993 Giarretto 601/9
5,544,027 A * 8/1996 Orsano 362/105
5,559,680 A * 9/1996 Tabanera 362/106
5,931,559 A * 8/1999 Pfaeffle 362/106
6,113,244 A * 9/2000 Baumgartner 362/106
D508,150 S * 8/2005 Martin D29/102
7,128,434 B1 * 10/2006 Nally et al. 362/105
7,147,338 B2 * 12/2006 Gregg 362/106
D536,814 S * 2/2007 Choi D26/39
D549,394 S * 8/2007 Broeckl D29/102



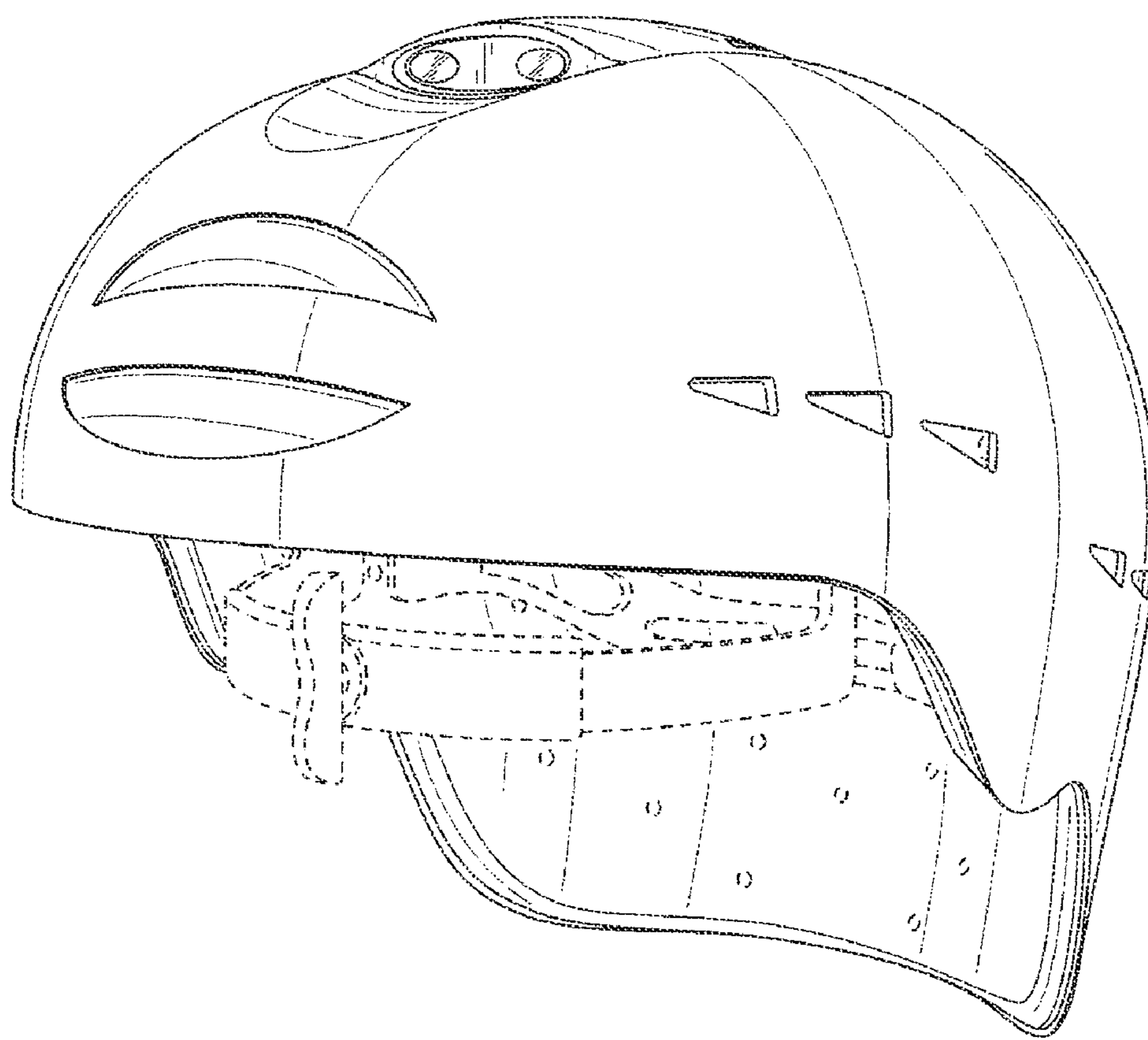


FIG. 1

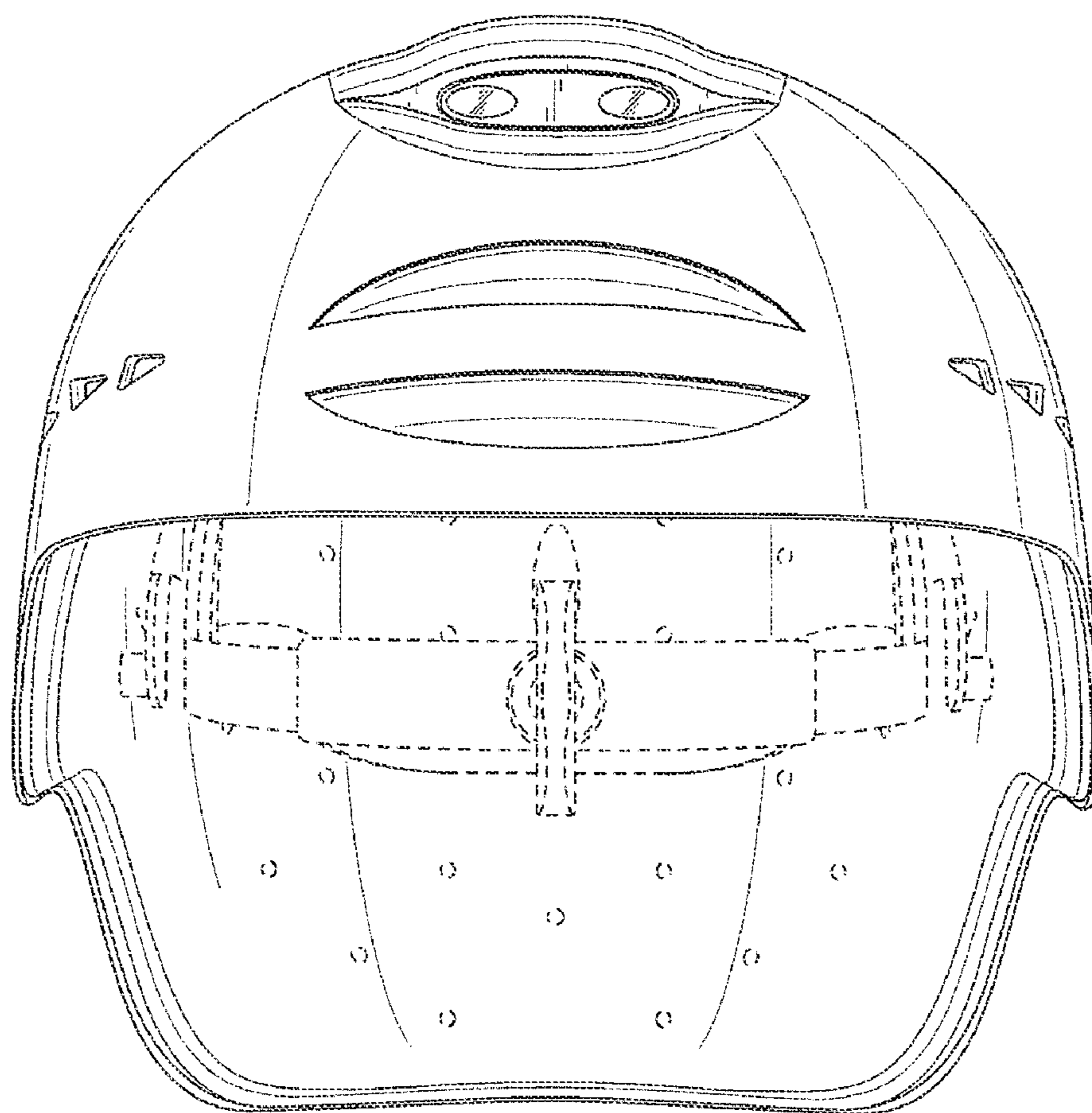


FIG. 2

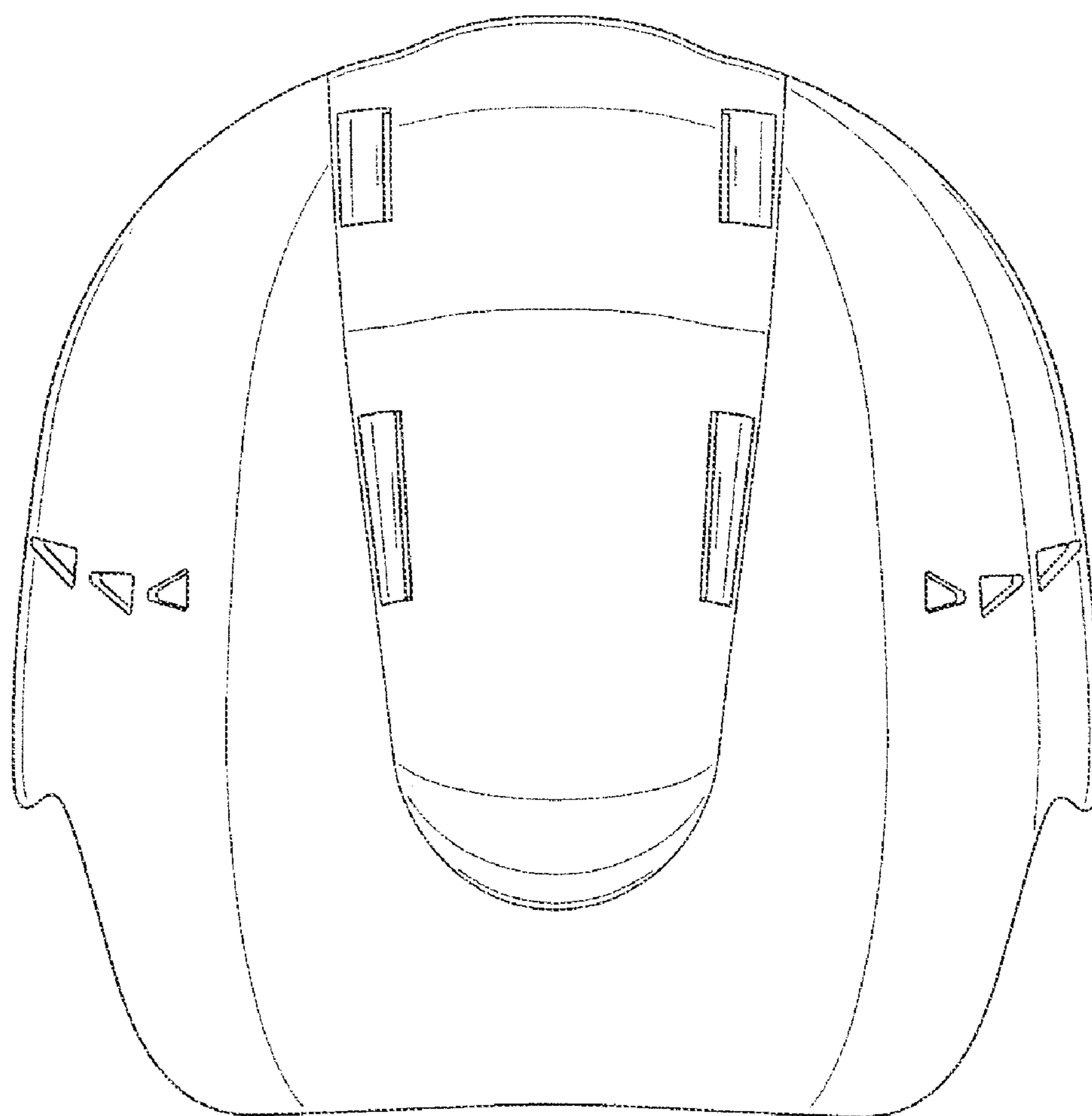


FIG. 3

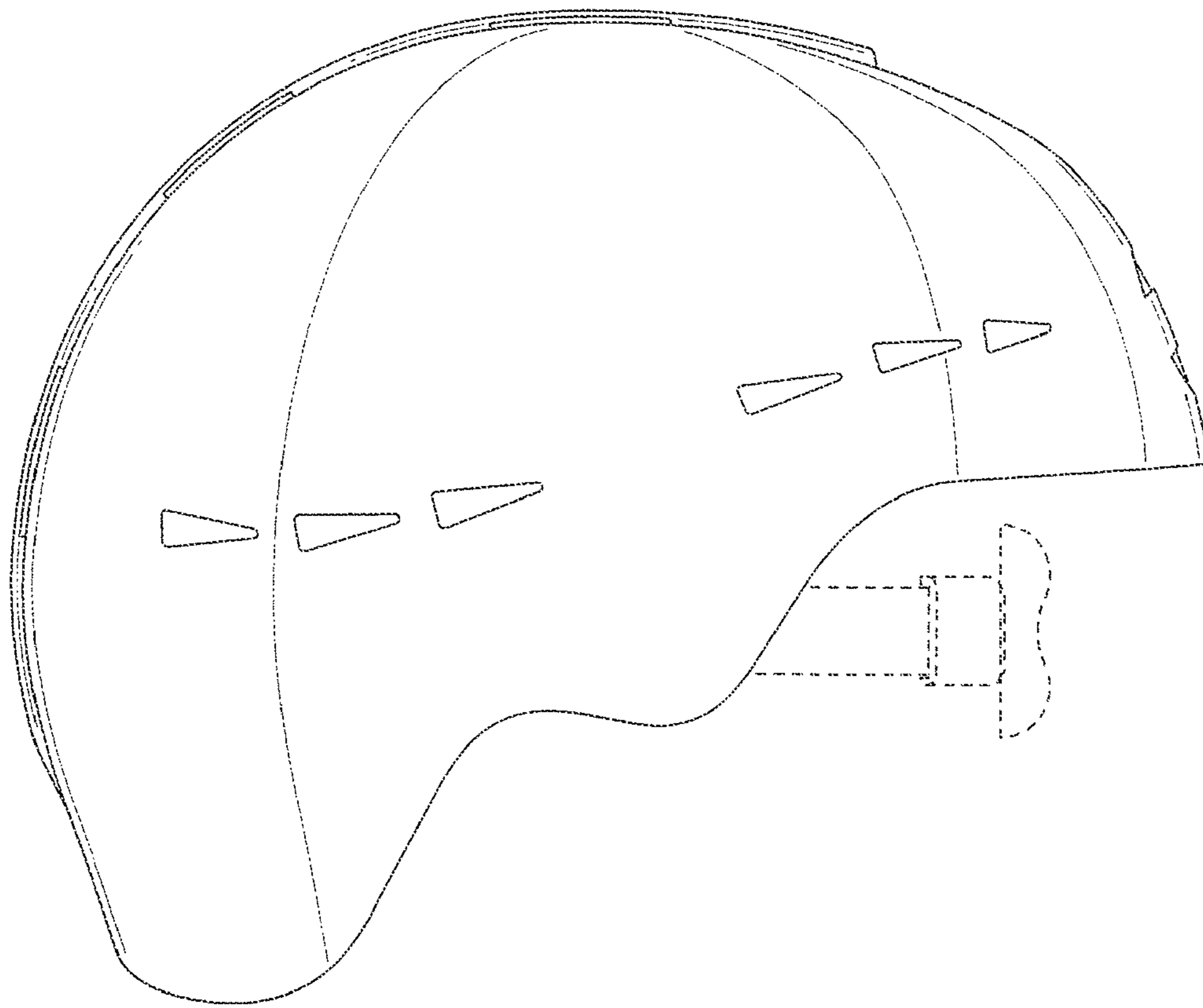


FIG. 4

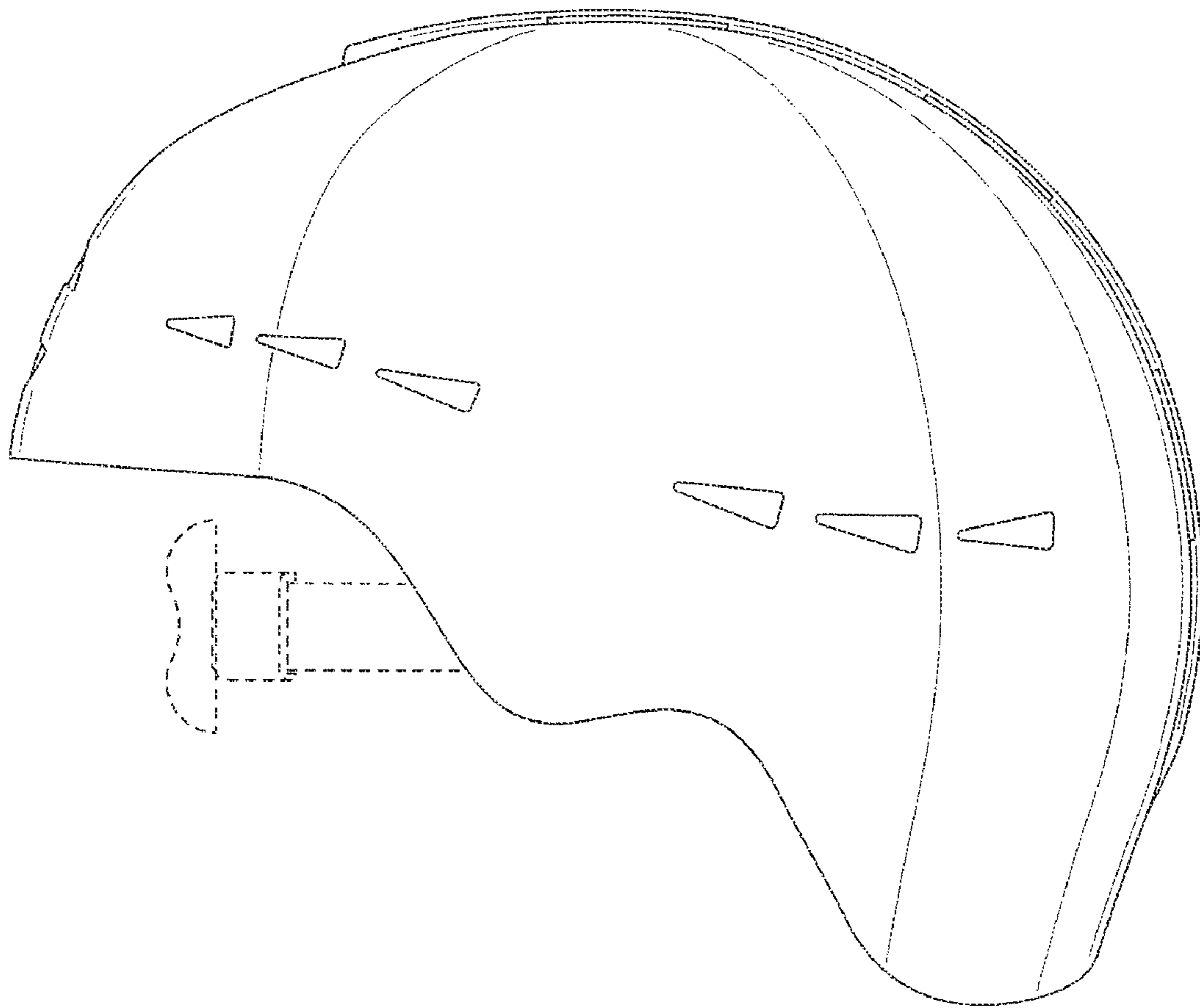


FIG. 5

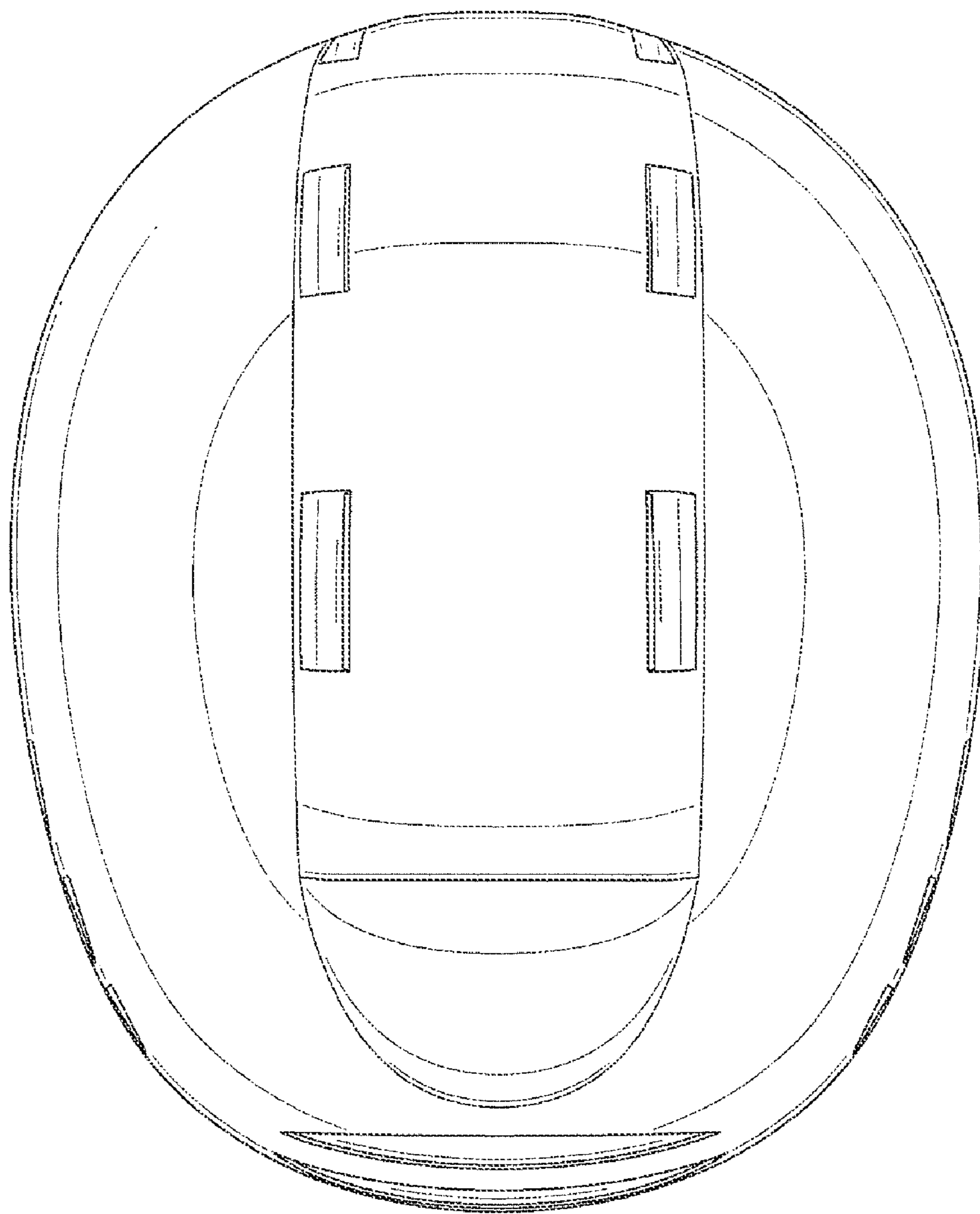


FIG. 6

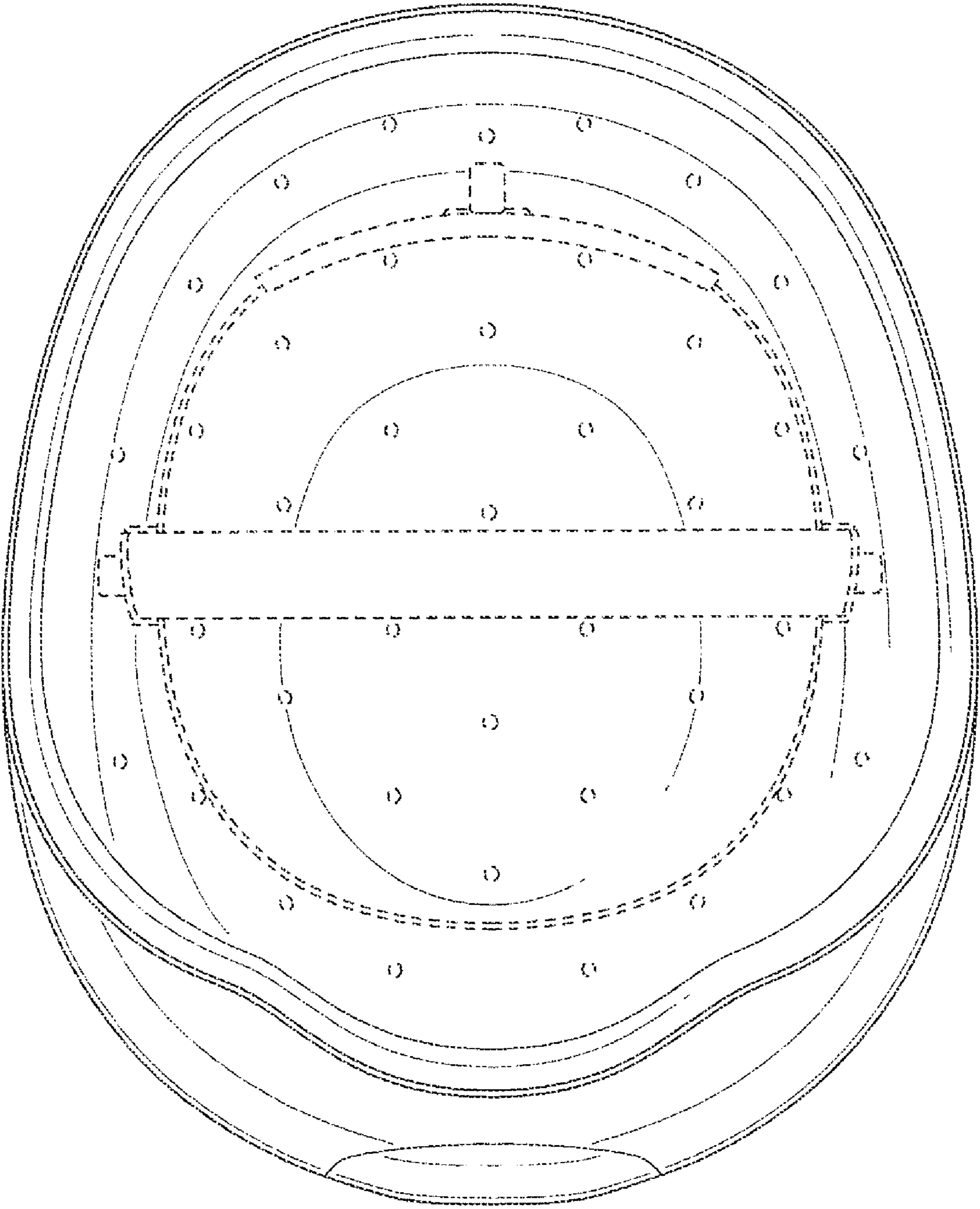


FIG. 7