



US00D640792S

(12) **United States Design Patent**
Anderson et al.

(10) **Patent No.:** **US D640,792 S**
(45) **Date of Patent:** **** Jun. 28, 2011**

(54) **ORTHOPEdic BOOT**

(76) Inventors: **Gregory S. Anderson**, Sandy, UT (US);
Kade T. Huntsman, Holladay, UT (US);
Dale C. Gledhill, Sandy, UT (US);
Douglas R. Burrell, Springville, UT (US);
David Xiao, Hangzhou (CN)

(**) Term: **14 Years**

(21) Appl. No.: **29/376,423**

(22) Filed: **Oct. 6, 2010**

Related U.S. Application Data

(63) Continuation-in-part of application No. 12/502,998,
filed on Jul. 14, 2009.

(51) **LOC (9) Cl.** **24-01**

(52) **U.S. Cl.** **D24/192**

(58) **Field of Classification Search** D24/190,
D24/192; 602/2, 5, 22-23, 27-29, 64-65;
D2/946-947, 953-954, 957, 960; 36/88-89;
128/882

See application file for complete search history.

(56) **References Cited**

U.S. PATENT DOCUMENTS

4,962,760 A * 10/1990 Jones 602/27
D345,421 S * 3/1994 Schumann et al. D24/192
D434,504 S * 11/2000 Miller D24/192
D487,955 S * 4/2004 Ammon D2/953
D589,692 S * 4/2009 McClaskie D2/957

D596,301 S * 7/2009 Campos et al. D24/192
7,618,388 B1 * 11/2009 Chan 602/23
7,666,157 B2 * 2/2010 Win 602/23
D619,726 S * 7/2010 Win D24/192
7,896,826 B2 * 3/2011 Hu et al. 602/23
2002/0128574 A1 * 9/2002 Darby 602/23
2007/0191749 A1 * 8/2007 Barberio 602/23
2008/0269656 A1 * 10/2008 Arnold et al. 602/28
2009/0099495 A1 * 4/2009 Campos et al. 602/27
2009/0306565 A1 * 12/2009 Chan 602/28
2011/0009791 A1 * 1/2011 Hopmann 602/23
2011/0015555 A1 * 1/2011 Anderson et al. 602/2

* cited by examiner

Primary Examiner — Susan E Krakower

(74) *Attorney, Agent, or Firm* — Pate Baird, PLLC

(57) **CLAIM**

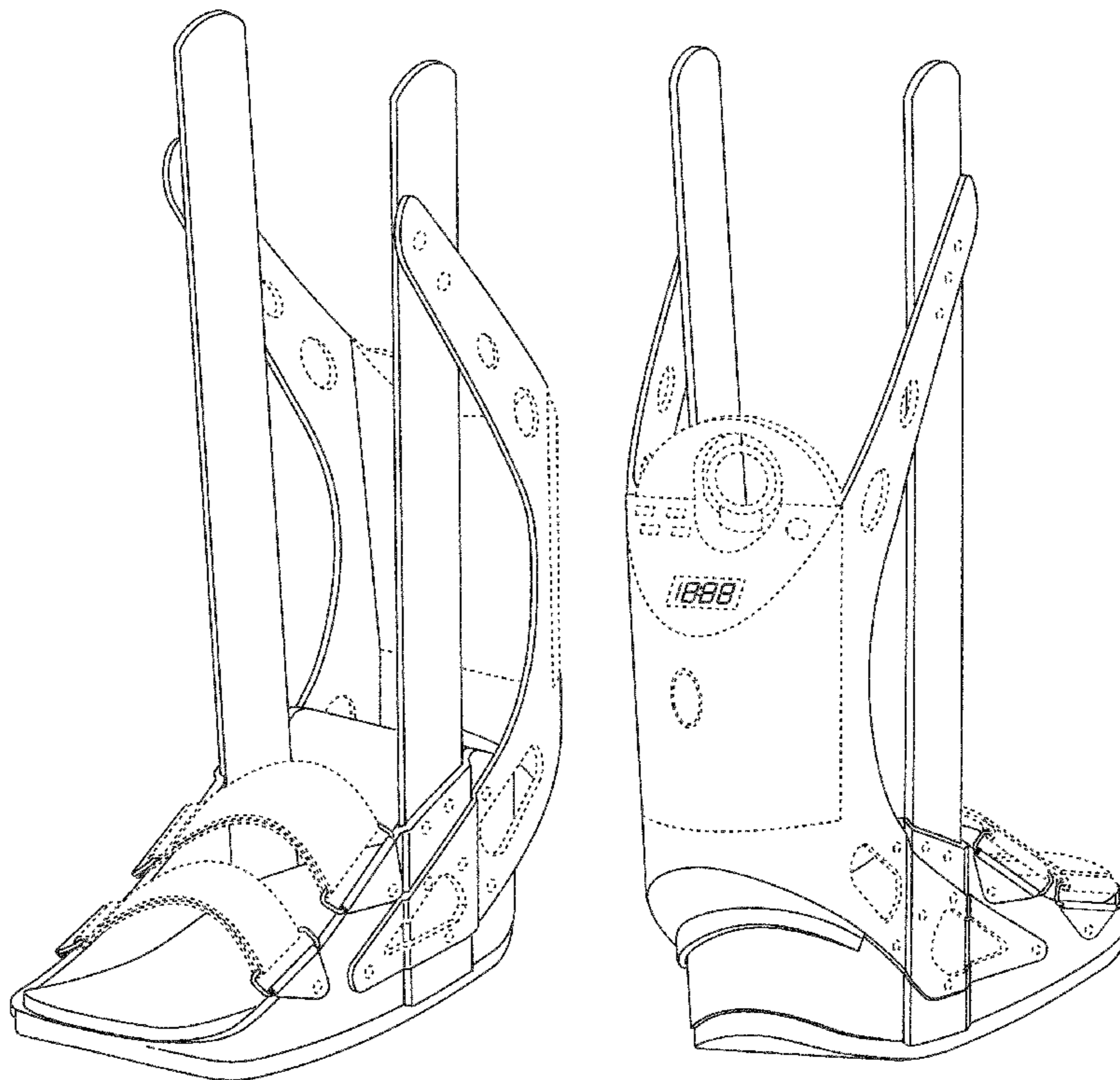
The ornamental design for a orthopedic boot, as shown and described.

DESCRIPTION

FIG. 1 is frontal isometric view of an orthopedic boot in accordance with our new design;
FIG. 2 is a rear isometric view thereof;
FIG. 3 is frontal elevation view thereof;
FIG. 4 is rear elevation view thereof;
FIG. 5 is right side elevation view thereof;
FIG. 6 is left side elevation view thereof;
FIG. 7 is top plan view thereof; and,
FIG. 8 is bottom plan view thereof.

The broken lines illustrate portions of the orthopedic boot which forms no part of the claimed design.

1 Claim, 6 Drawing Sheets



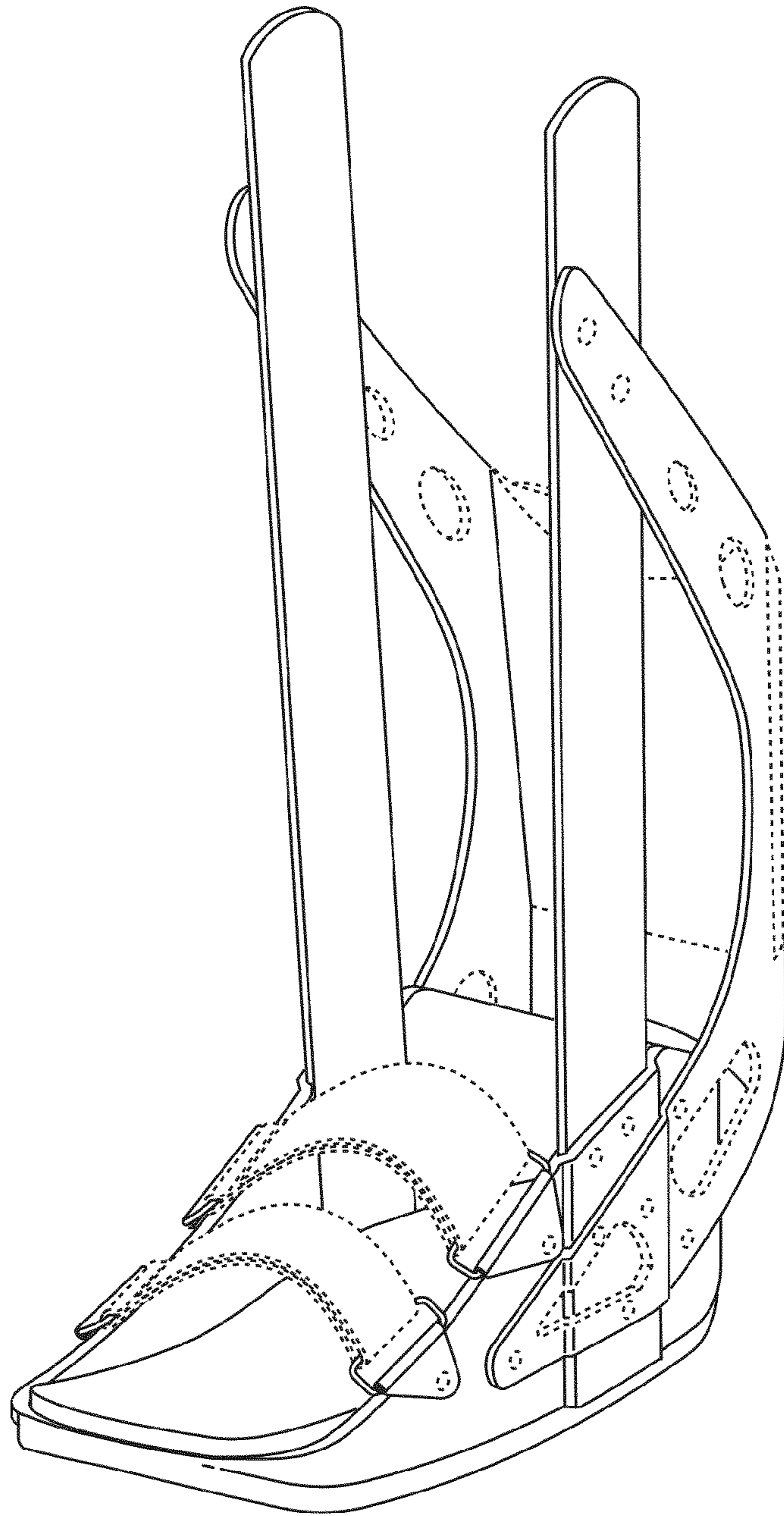


FIG. 1

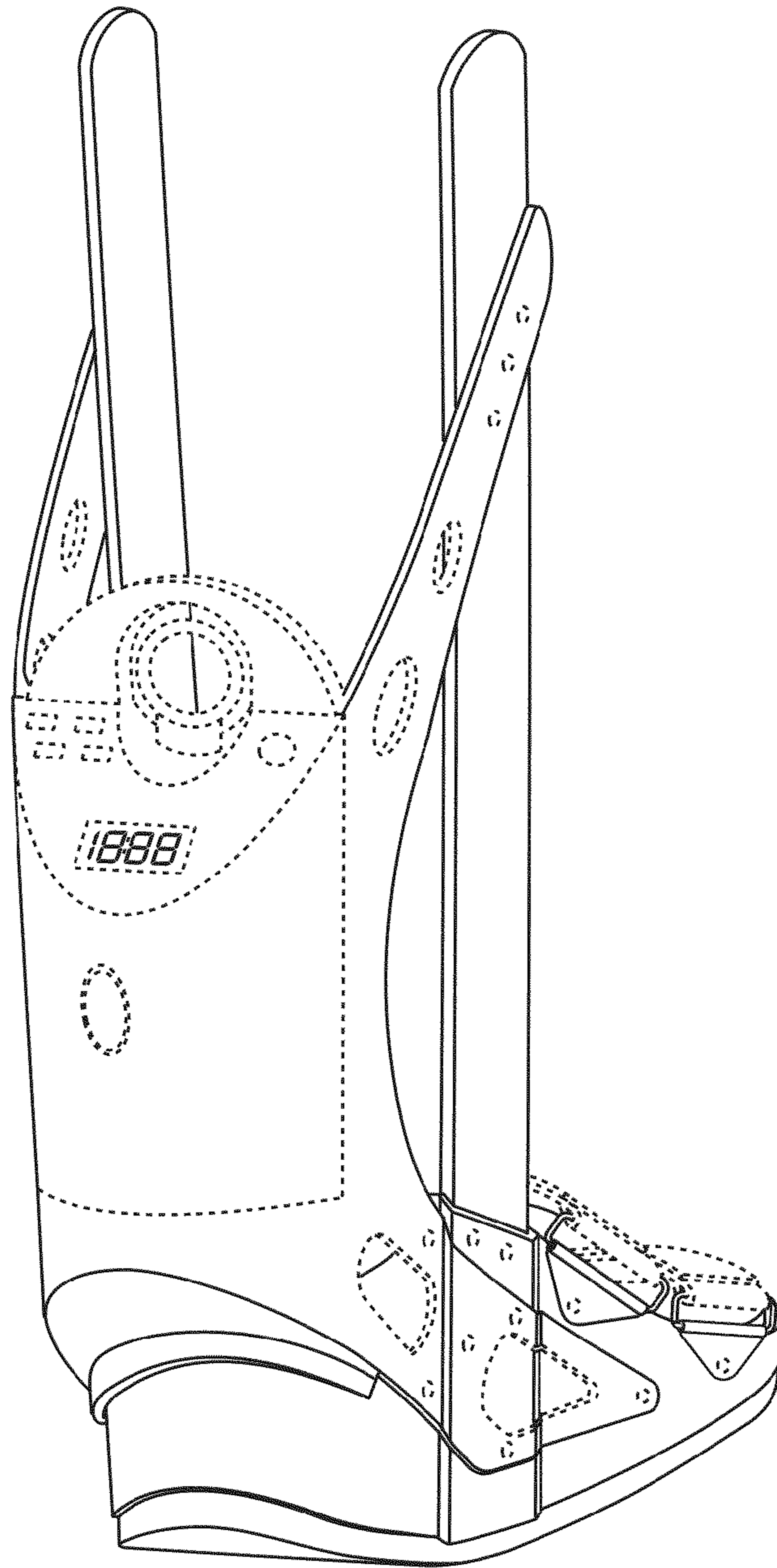


FIG. 2

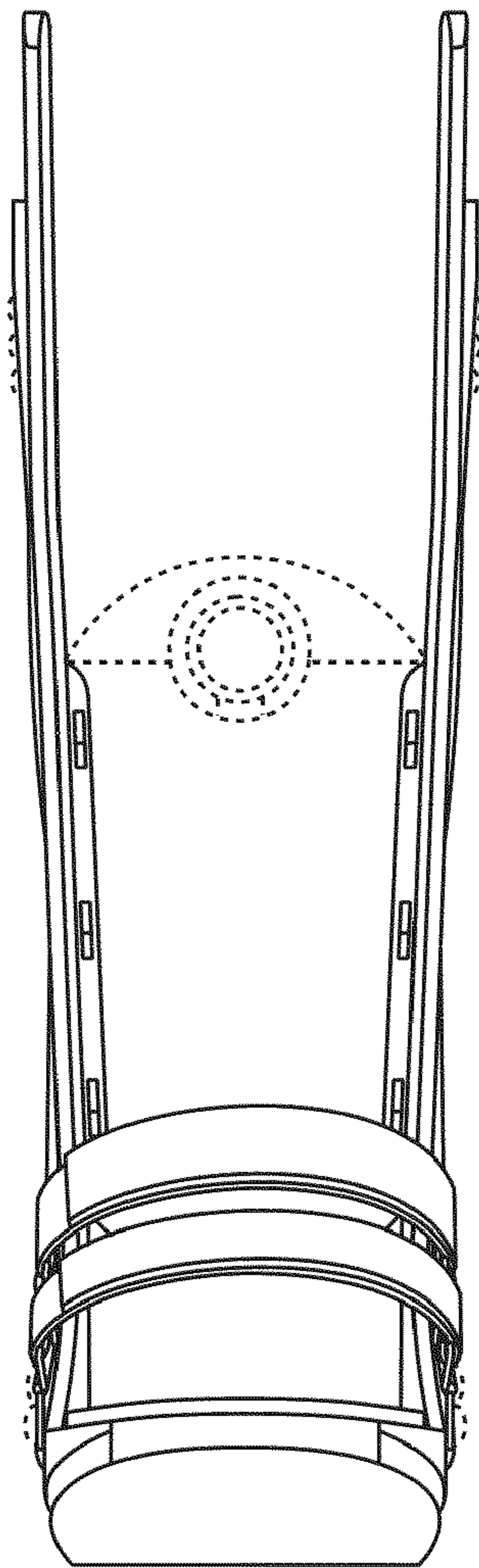


FIG. 3

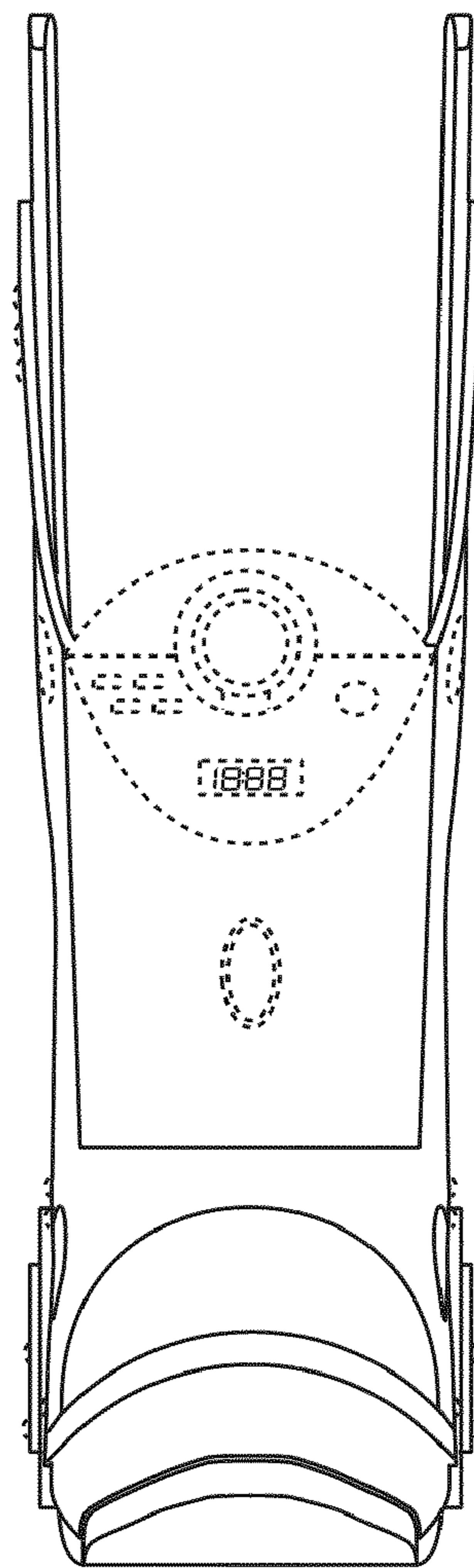


FIG. 4

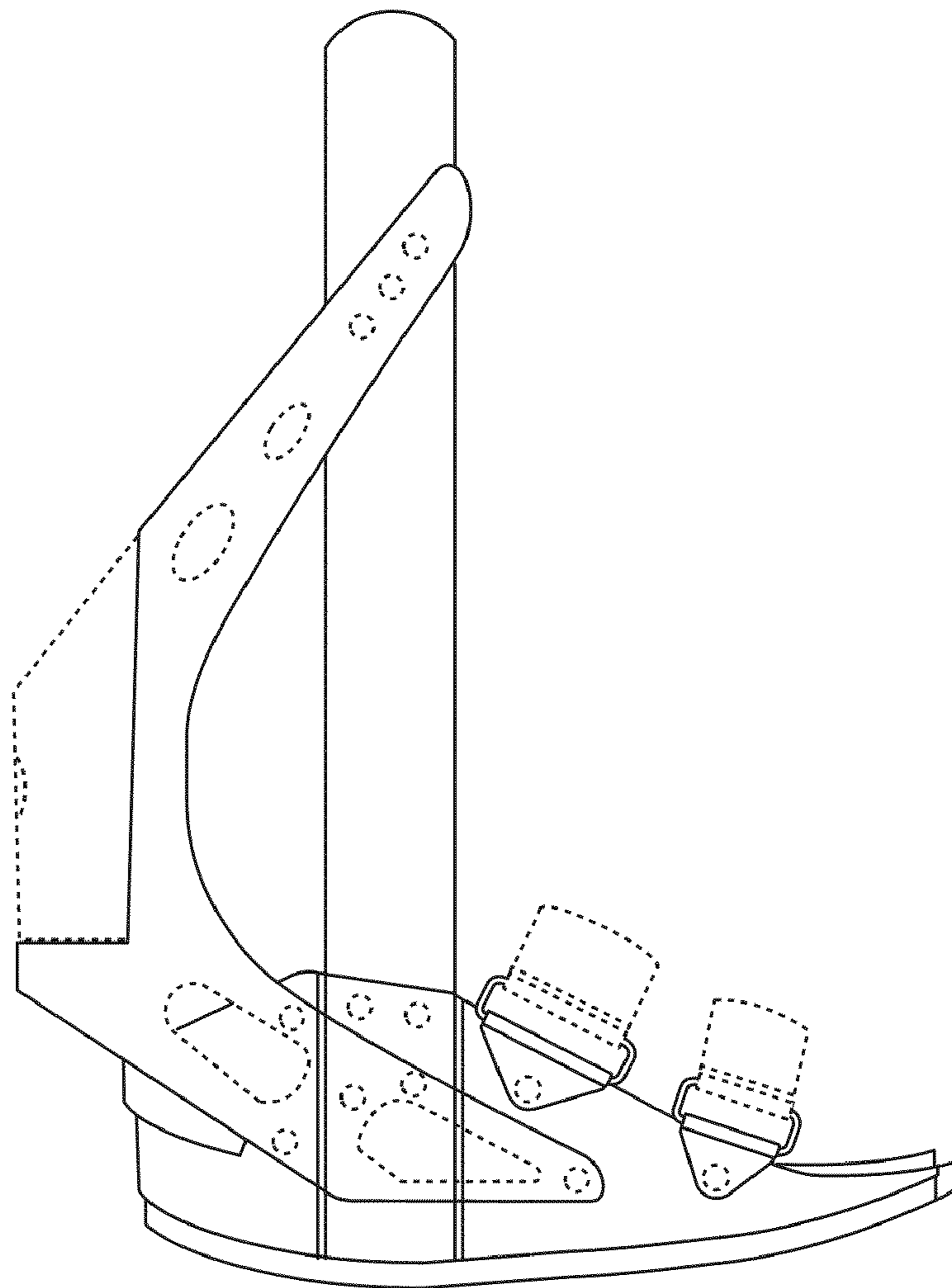


FIG. 5

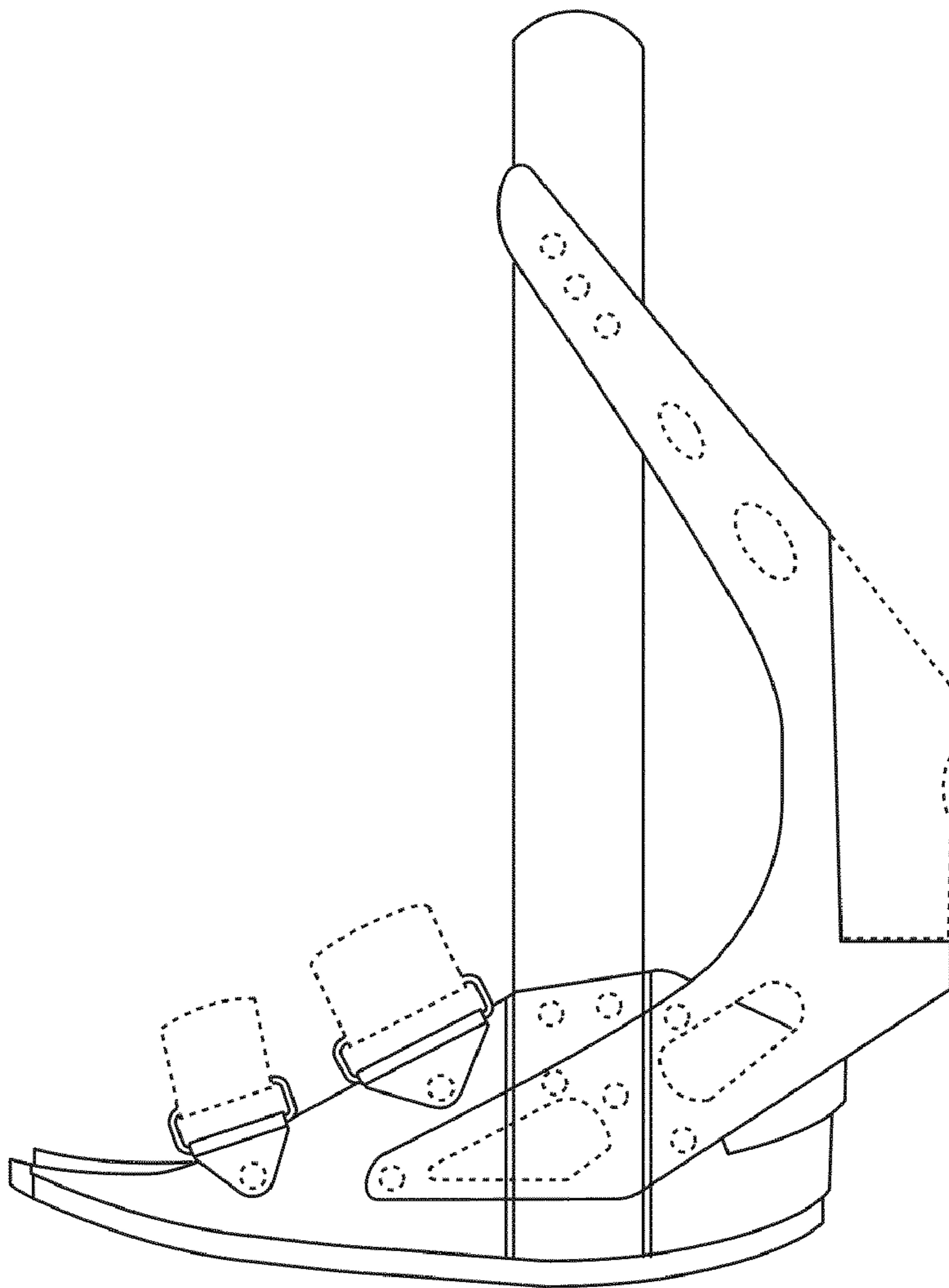


FIG. 6

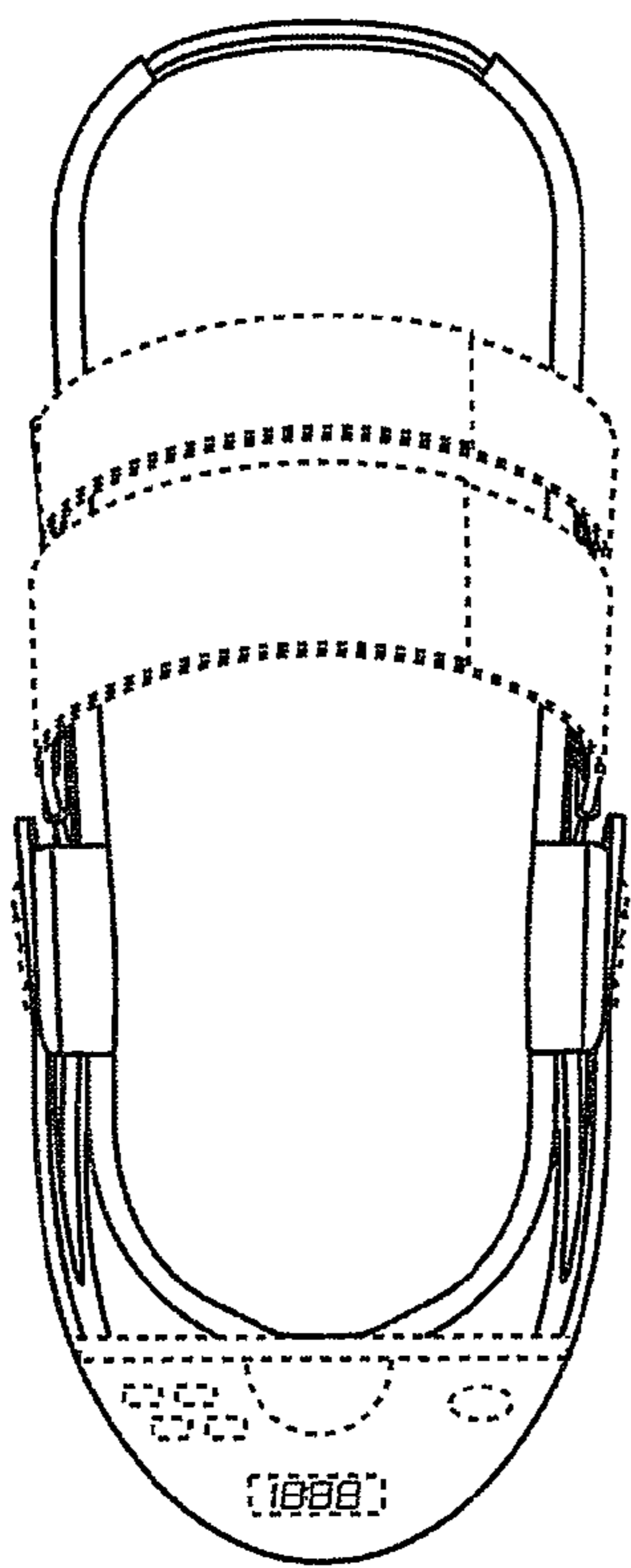


FIG. 7

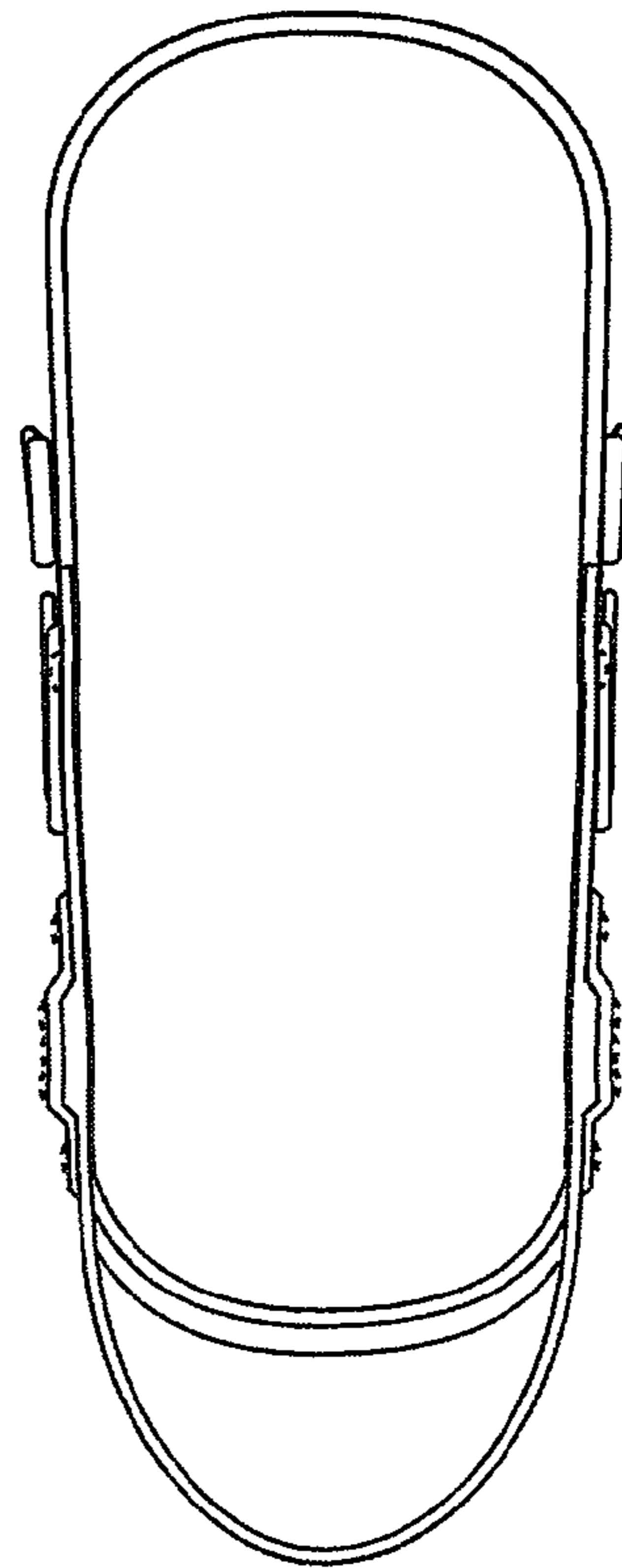


FIG. 8