

US00D640790S

(12) **United States Design Patent**  
**Nishimura**

(10) **Patent No.:** **US D640,790 S**

(45) **Date of Patent:** **\*\* Jun. 28, 2011**

(54) **ENDOSCOPIC TREATMENT DEVICE**

(75) Inventor: **Miyuki Nishimura**, Okaya (JP)

(73) Assignee: **Sumitomo Bakelite Company, Ltd.**,  
Tokyo (JP)

(\*\*) Term: **14 Years**

(21) Appl. No.: **29/344,977**

(22) Filed: **Oct. 7, 2009**

(30) **Foreign Application Priority Data**

Apr. 15, 2009 (JP) ..... D2009-008610

(51) **LOC (9) Cl.** ..... **24-02**

(52) **U.S. Cl.** ..... **D24/146**

(58) **Field of Classification Search** ..... D24/133,  
D24/143-147; 606/160, 167, 184, 185, 37,  
606/45-47, 50, 51, 86 A, 104, 170; 600/127;  
604/264

See application file for complete search history.

(56) **References Cited**

**U.S. PATENT DOCUMENTS**

5,403,342	A *	4/1995	Tovey et al. ....	606/205
5,755,717	A *	5/1998	Yates et al. ....	606/51
6,053,933	A *	4/2000	Balazs et al. ....	606/205
6,083,223	A *	7/2000	Baker .....	606/52
6,527,753	B2 *	3/2003	Sekine et al. ....	604/264
6,689,130	B2 *	2/2004	Arai et al. ....	606/46
D561,898	S *	2/2008	Goto .....	D24/147
7,481,810	B2 *	1/2009	Dumbauld et al. ....	606/51

2002/0183591	A1 *	12/2002	Matsuura et al. ....	600/127
2007/0074807	A1 *	4/2007	Guerra .....	156/242
2009/0048596	A1 *	2/2009	Shields et al. ....	606/51

\* cited by examiner

*Primary Examiner* — Freda Nunn

(74) *Attorney, Agent, or Firm* — Smith, Gambrell & Russell,  
LLP

(57) **CLAIM**

The ornamental design for endoscopic treatment device, as shown and described.

**DESCRIPTION**

FIG. 1 is a first perspective view of an endoscopic treatment device according to my new design;

FIG. 2 is a front view thereof;

FIG. 3 is a back view thereof;

FIG. 4 is a plain view thereof;

FIG. 5 is a base view thereof;

FIG. 6 is a left side view thereof;

FIG. 7 is a right side view thereof;

FIG. 8 is a second perspective view thereof; and,

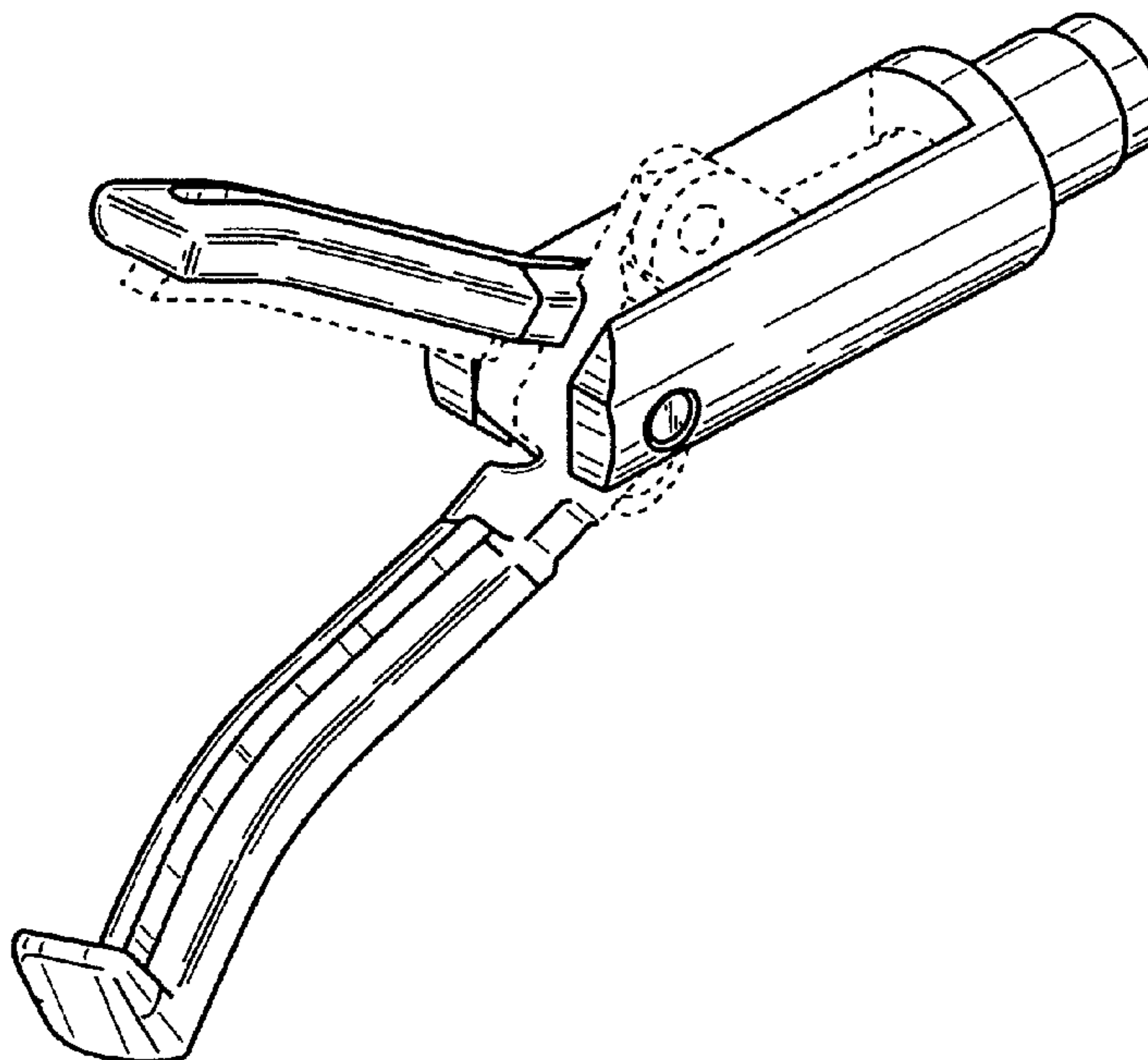
FIG. 9 is a reference drawing showing a state of use thereof.

The present article is attached to a distal portion of a tube of an endoscopic treatment system to be opened and closed in a scissor-like motion as shown in the perspective view, FIG. 8.

The present article constitutes the distal portion of the endoscopic treatment system and is inserted to the target lesion through the forceps channel of the endoscope for grasping the target lesion by scissor-like motion and excising the same by applying high-frequency current.

Broken lines shown in the drawings illustrate portions of the endoscopic treatment device and form no part of the claimed design.

**1 Claim, 9 Drawing Sheets**



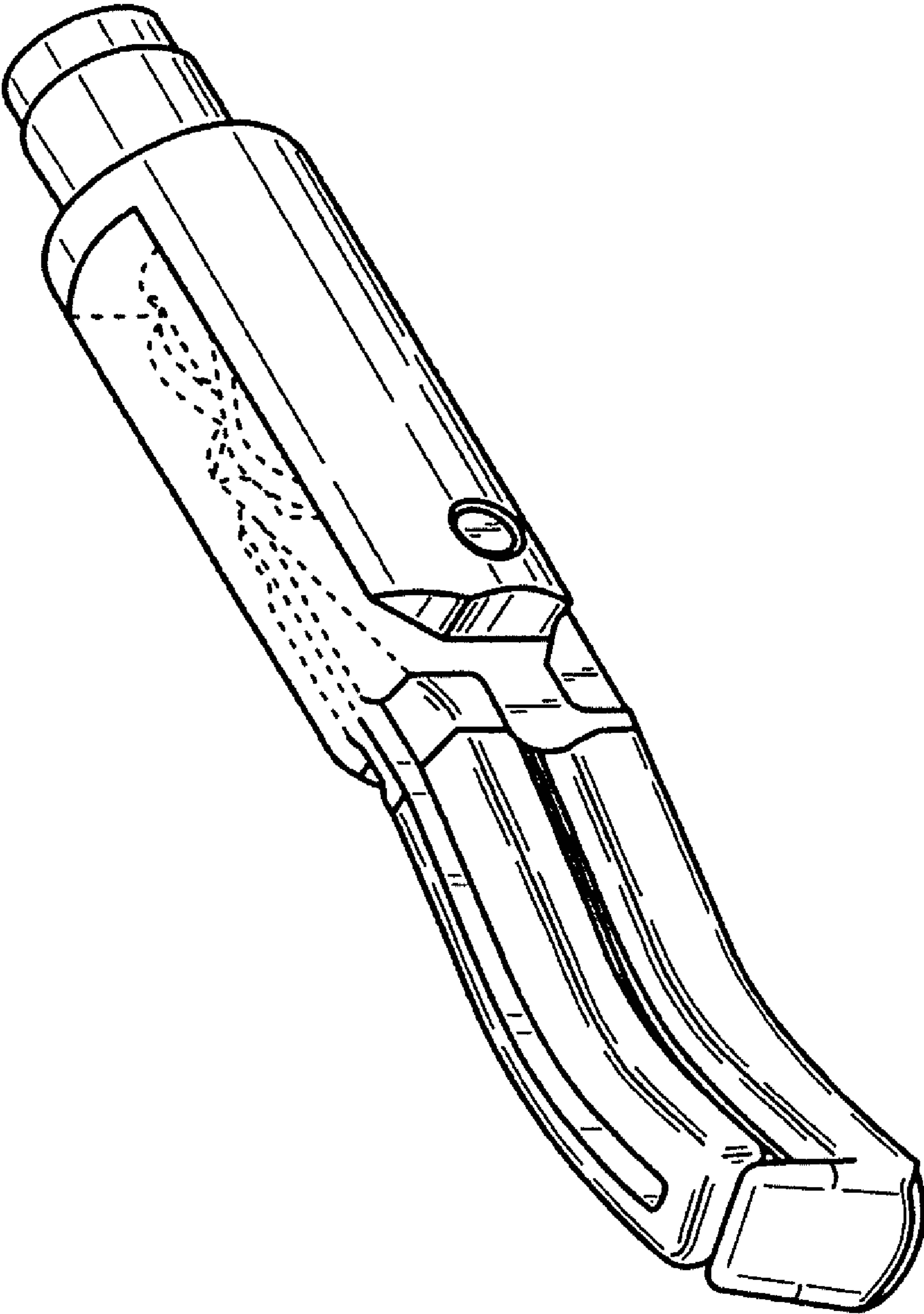
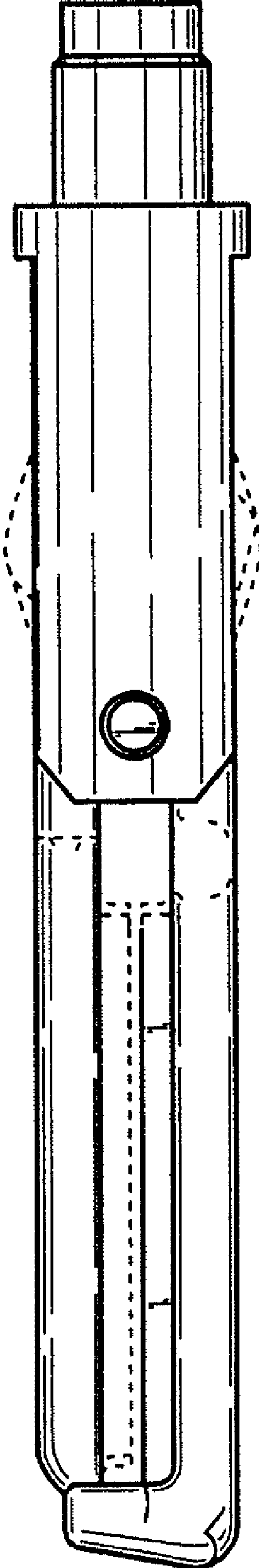
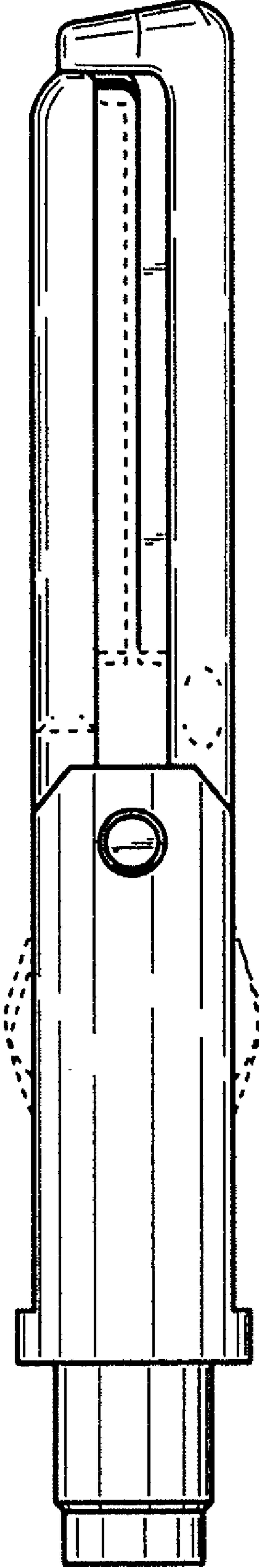


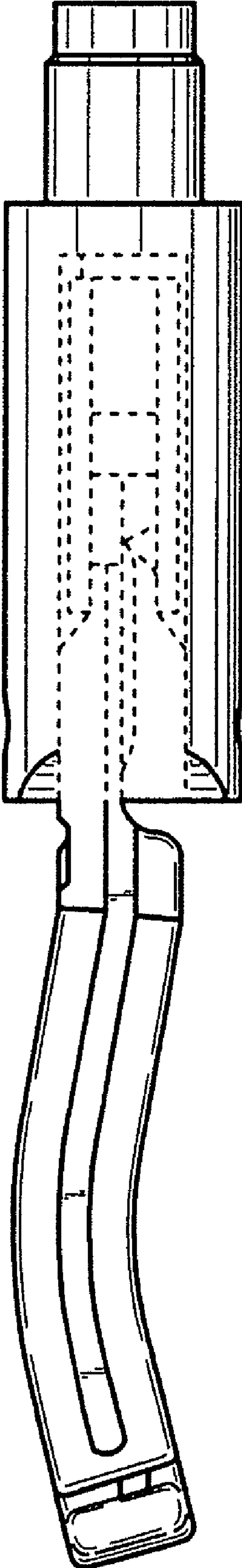
Fig. 1



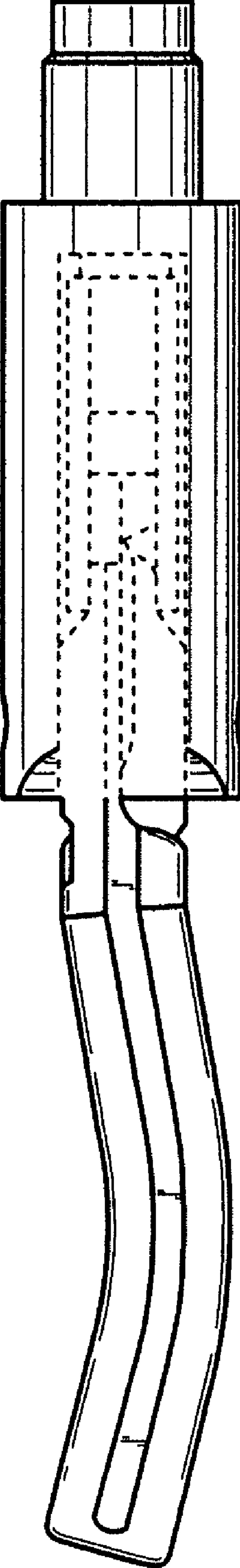
**Fig. 2**



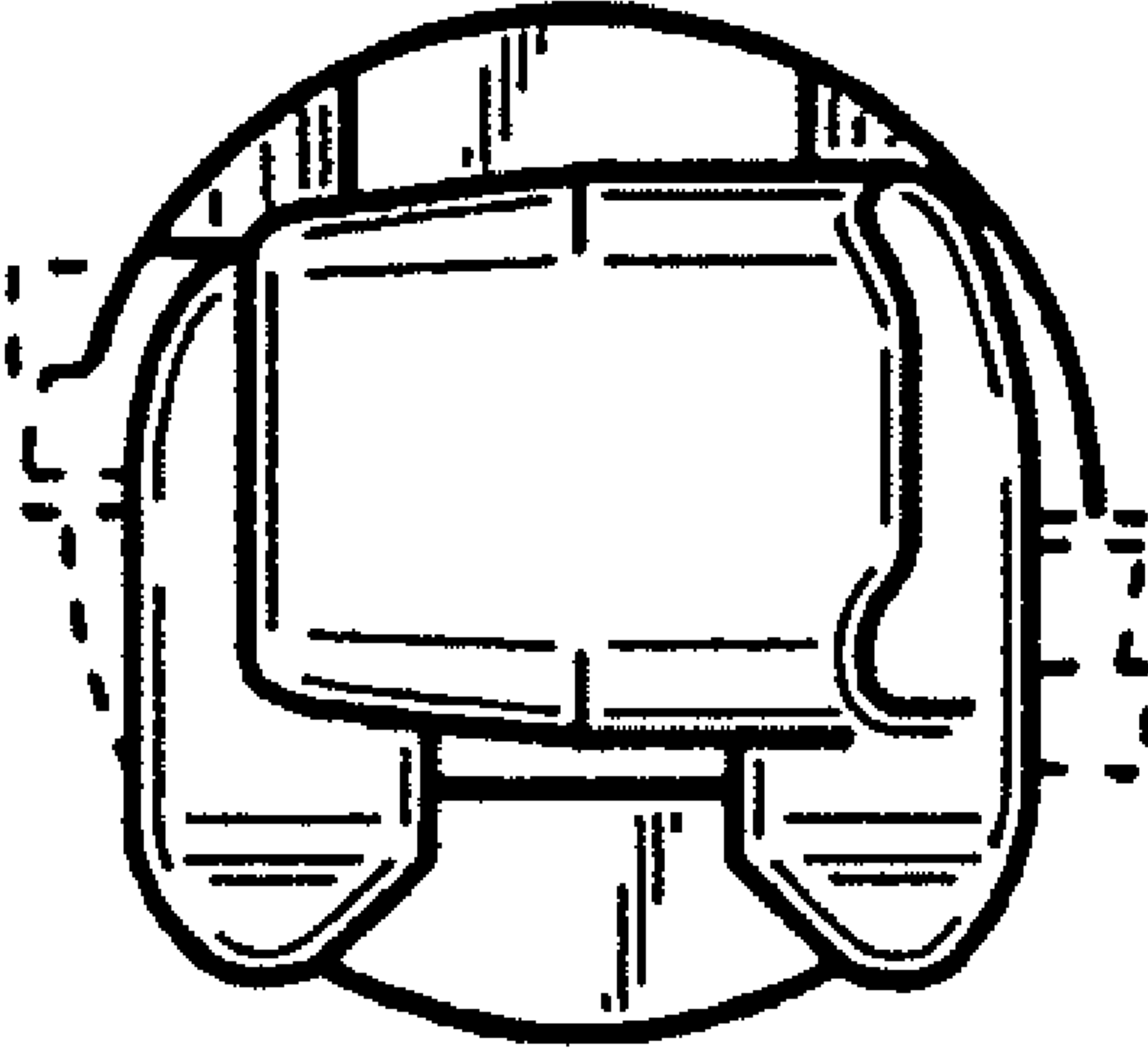
**Fig. 3**



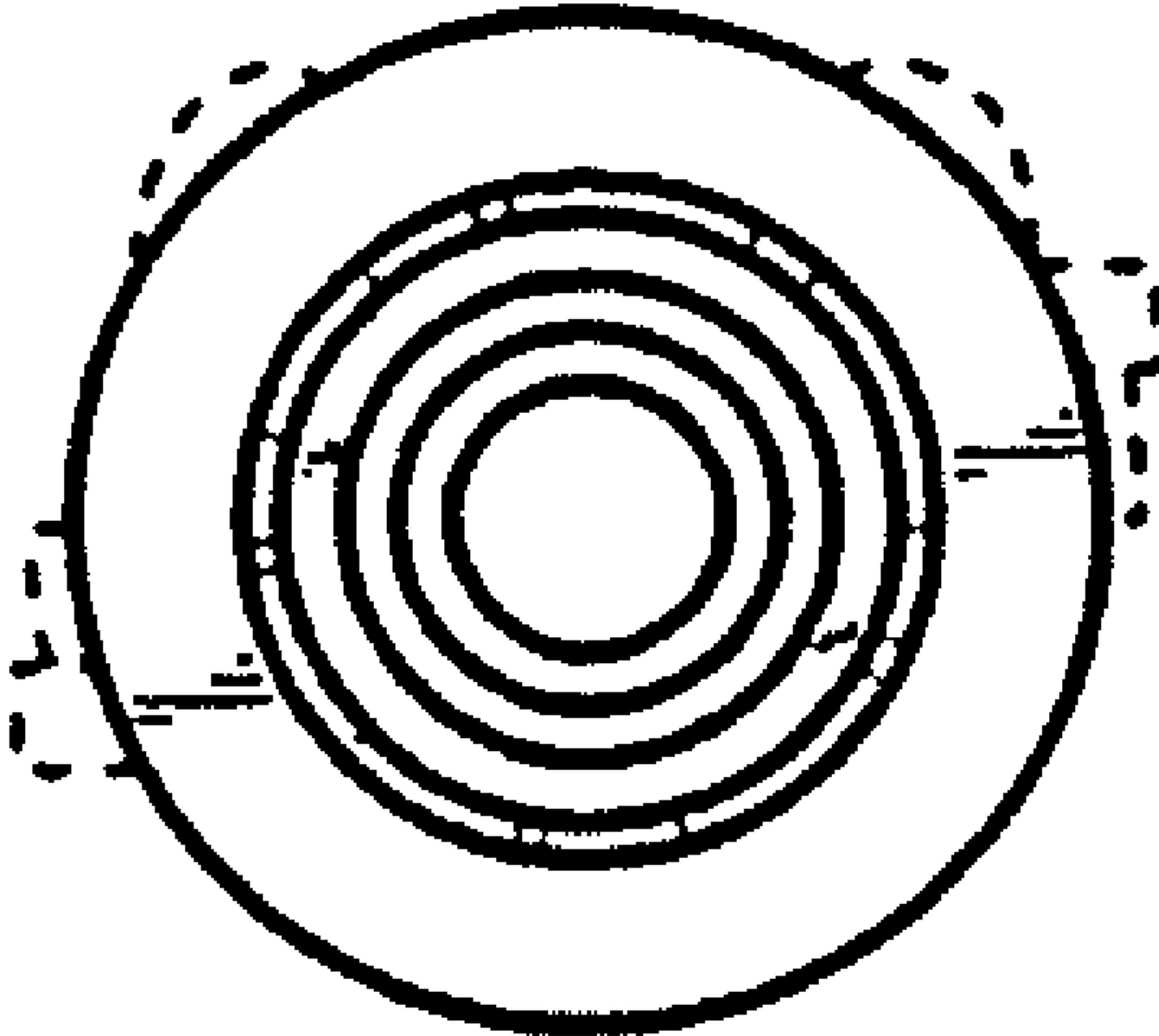
**Fig. 4**



**Fig. 5**



**Fig. 6**



**Fig. 7**



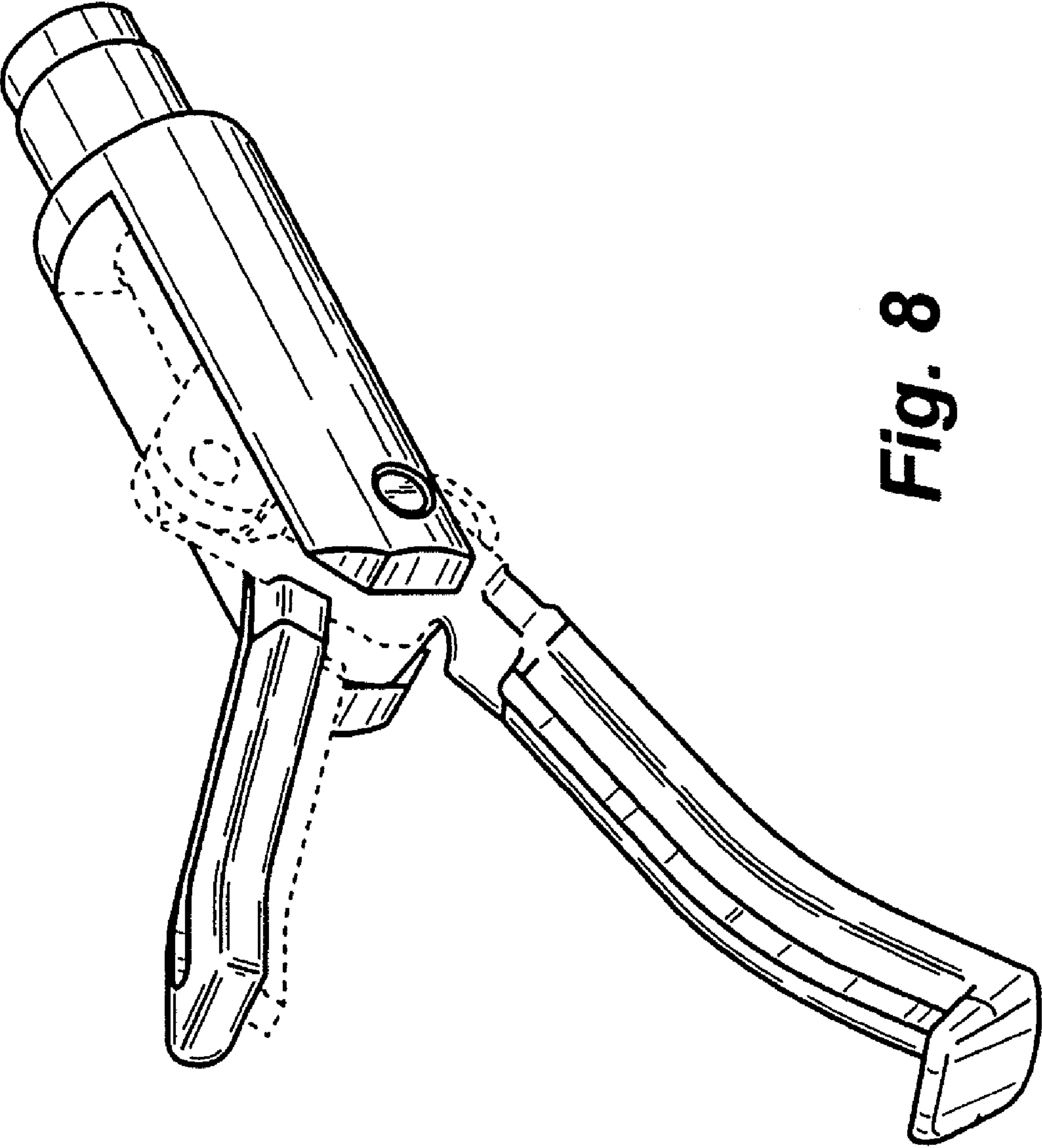
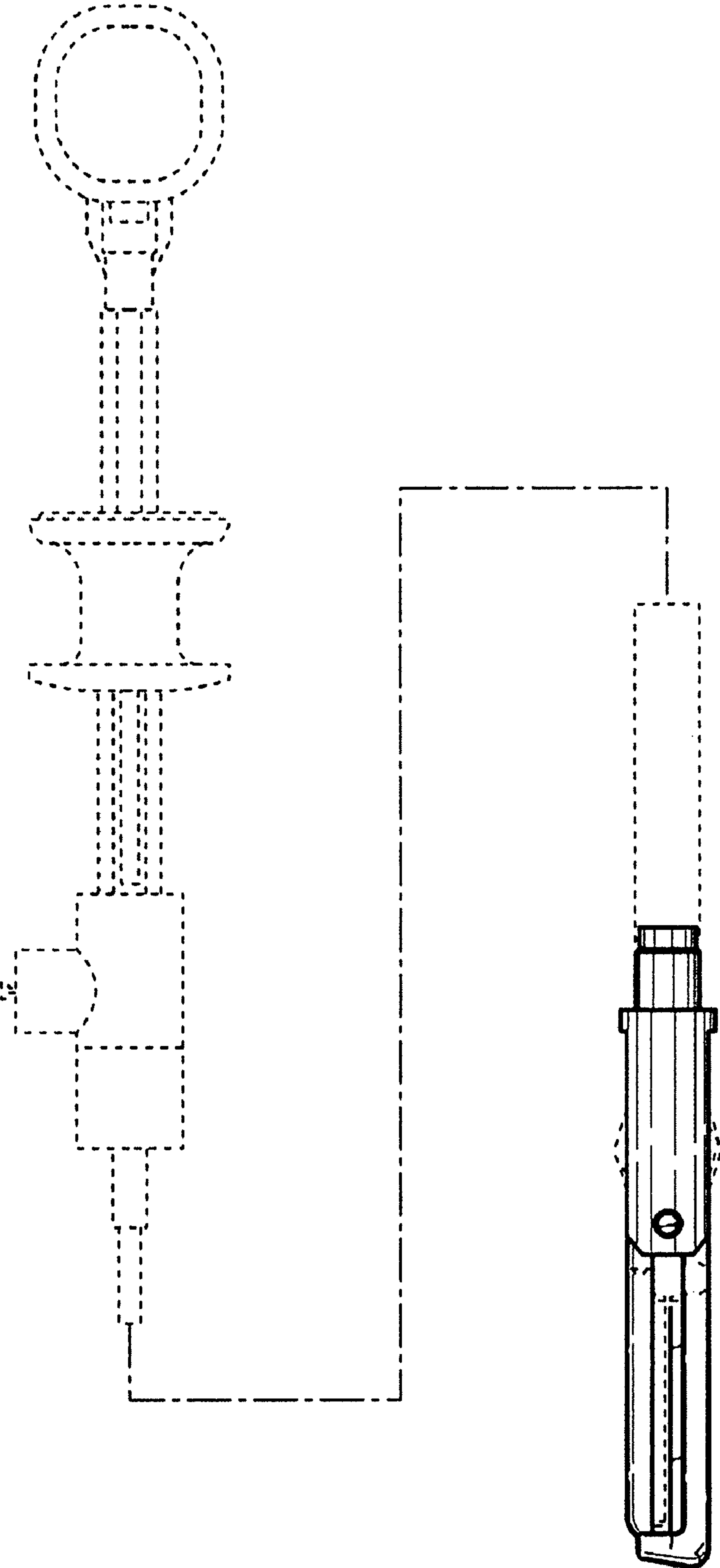


Fig. 8



**Fig. 9**