



US00D640789S

(12) **United States Design Patent**
Peine et al.

(10) **Patent No.:** **US D640,789 S**
(45) **Date of Patent:** **** Jun. 28, 2011**

(54) **MEDICAL INSTRUMENT**

(75) Inventors: **William J. Peine**, Ashland, MA (US);
Andres Chamorro, Waltham, MA (US);
James C. Hollenbeck, Brighton, MA
(US); **Woojin Lee**, Hopkinton, MA (US)

(73) Assignee: **Cambridge Endoscopic Devices, Inc.**,
Framingham, MA (US)

(**) Term: **14 Years**

(21) Appl. No.: **29/380,600**

(22) Filed: **Dec. 8, 2010**

Related U.S. Application Data

(62) Division of application No. 29/348,936, filed on Feb.
23, 2010, now Pat. No. Des. 631,155.

(51) **LOC (9) Cl.** **24-02**

(52) **U.S. Cl.** **D24/133**

(58) **Field of Classification Search** D24/133,
D24/146, 147, 143, 144, 145, 148; 606/205-209,
606/210-211, 142, 143, 151, 157
See application file for complete search history.

(56) **References Cited**

U.S. PATENT DOCUMENTS

D454,951 S	3/2002	Bon
D457,958 S	5/2002	Dycus et al.
D466,209 S	11/2002	Bon
D496,997 S	10/2004	Dycus et al.
D499,181 S	11/2004	Dycus et al.
D535,027 S	1/2007	James et al.
D536,093 S	1/2007	Nakajima et al.
D575,401 S	8/2008	Hixson et al.

D583,051 S	12/2008	Lee et al.	
D594,983 S	6/2009	Price et al.	
D620,593 S	7/2010	Tran et al.	
D631,155 S *	1/2011	Peine et al.	D24/133
D631,965 S *	2/2011	Price et al.	D24/145
2008/0065116 A1	3/2008	Lee et al.	
2008/0255420 A1	10/2008	Lee et al.	

* cited by examiner

Primary Examiner — Bridget Eland

(74) *Attorney, Agent, or Firm* — David M. Driscoll, Esq.

(57) **CLAIM**

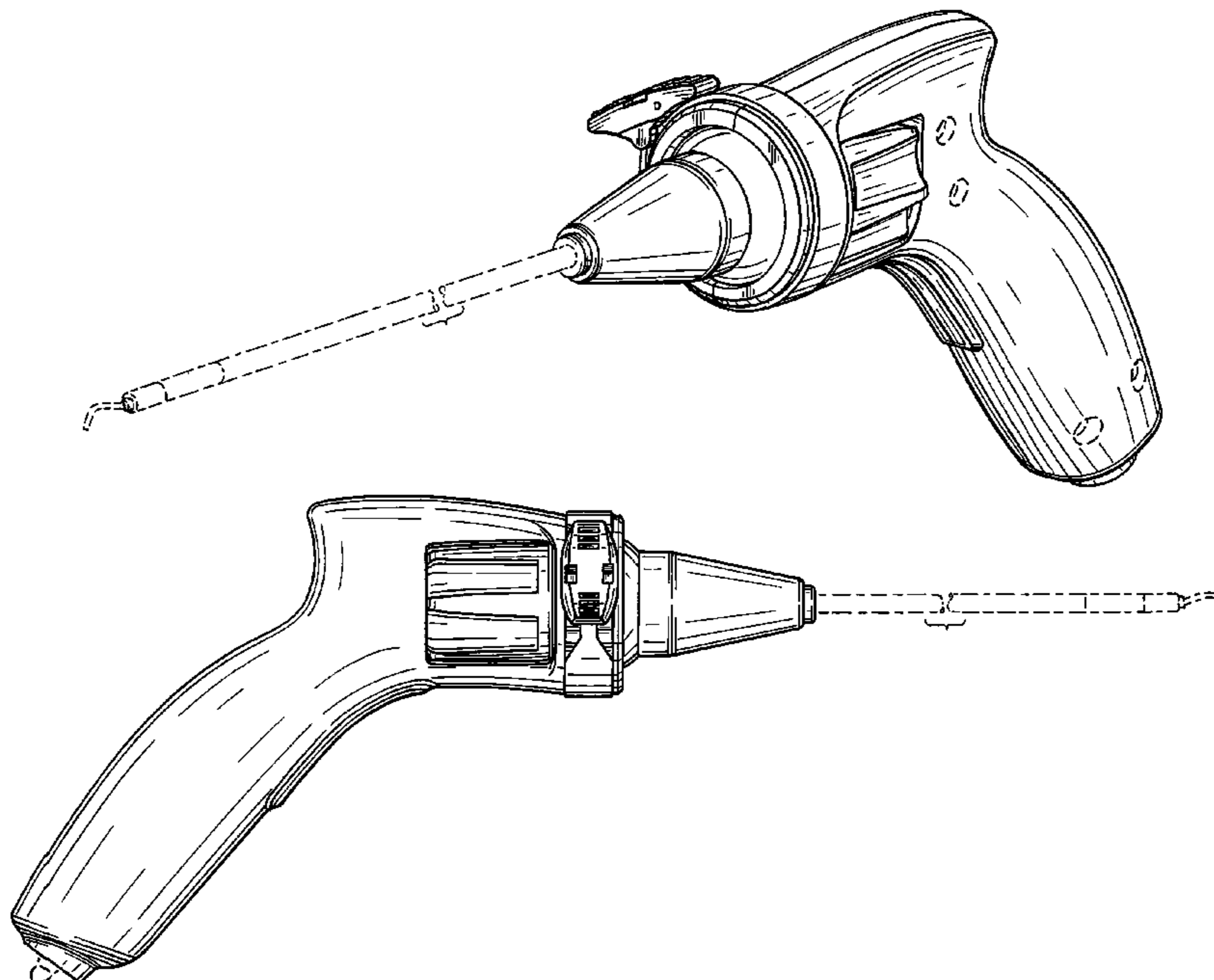
The ornamental design for a medical instrument, as shown
and described.

DESCRIPTION

FIG. 1 is a perspective view of a medical instrument showing
our new design in the cauterizer hook environment;
FIG. 2 is a right side elevational view showing our new design
in the cauterizer hook environment;
FIG. 3 is a left side elevational view showing our new design
in the cauterizer hook environment;
FIG. 4 is a top plan view showing our new design in the
cauterizer hook environment;
FIG. 5 is a bottom plan view showing our new design in the
cauterizer hook environment;
FIG. 6 is a front elevational view showing our new design in
the cauterizer hook environment; and,
FIG. 7 is a rear elevational view showing our new design in
the cauterizer hook environment.

The broken lines immediately adjacent the claimed areas
represent the bounds of the claimed design while all other
broken lines are directed to environment and are for illustra-
tive purposes only; the broken lines form no part of the
claimed design.

1 Claim, 5 Drawing Sheets



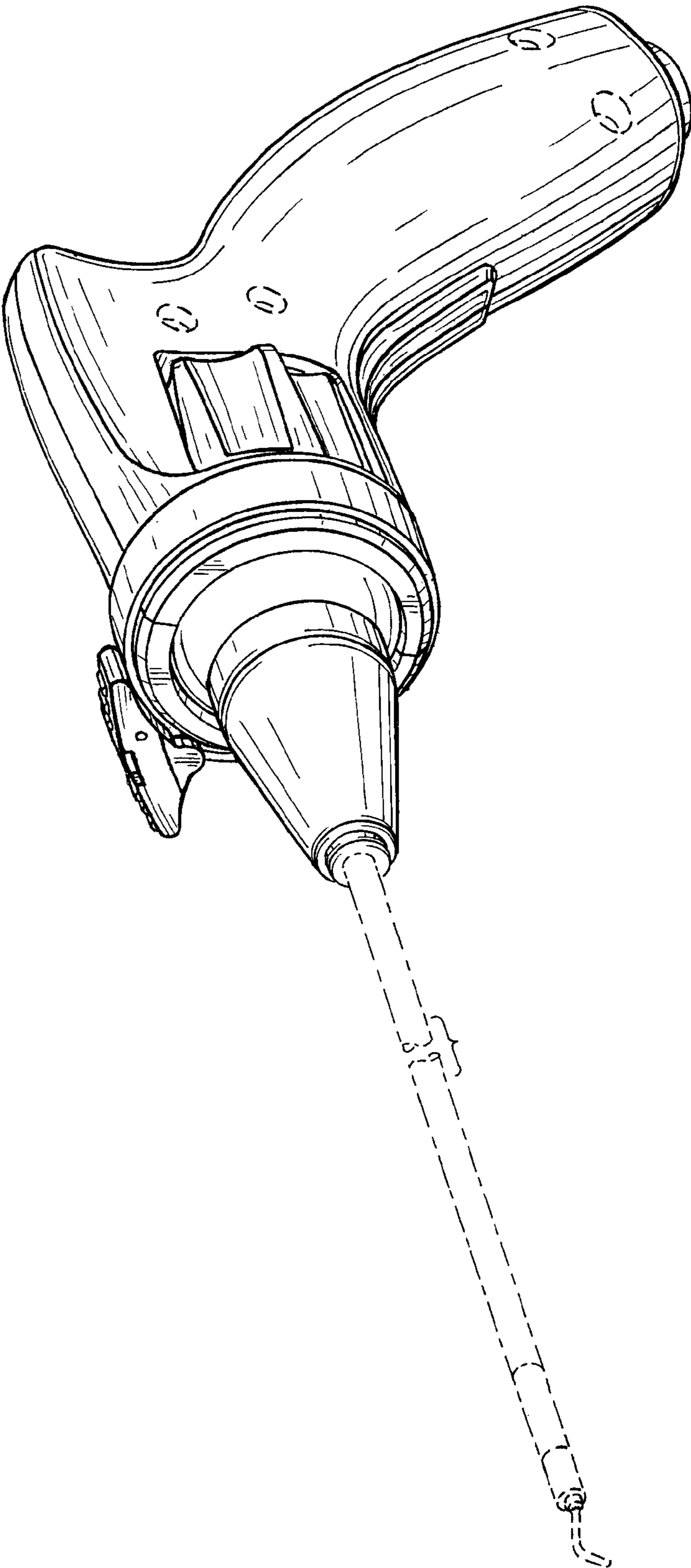


Fig. 1

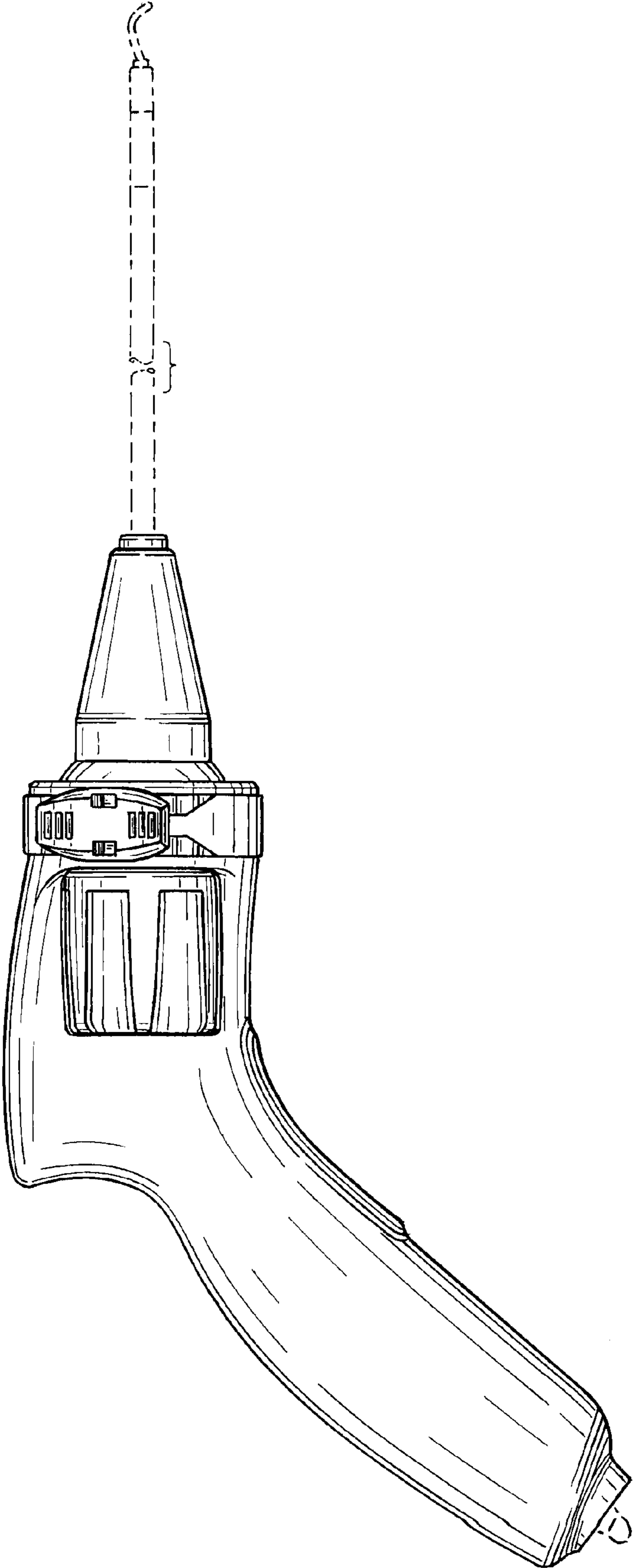


Fig. 2

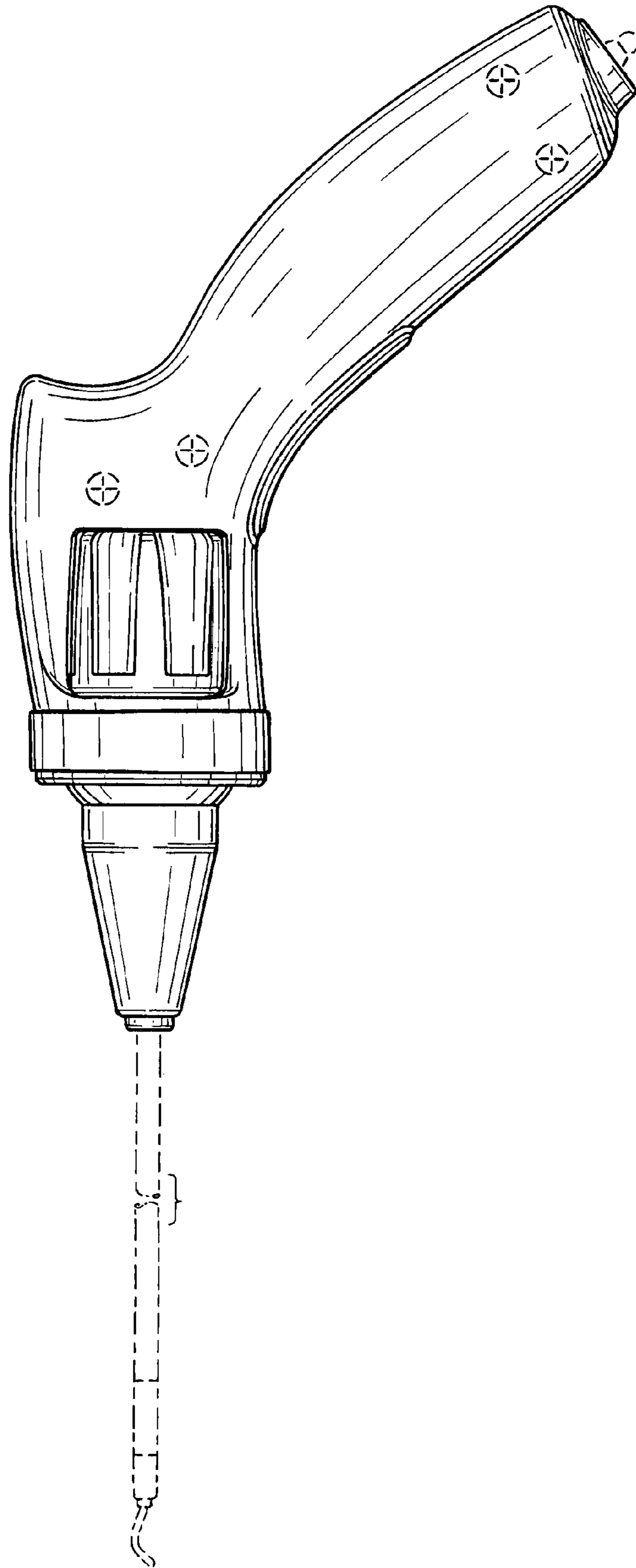


Fig. 3

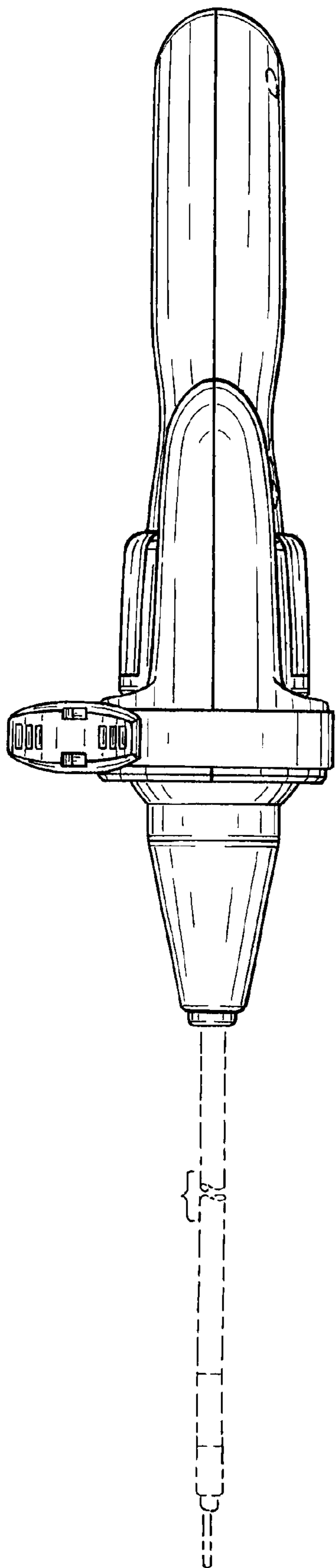


Fig. 4

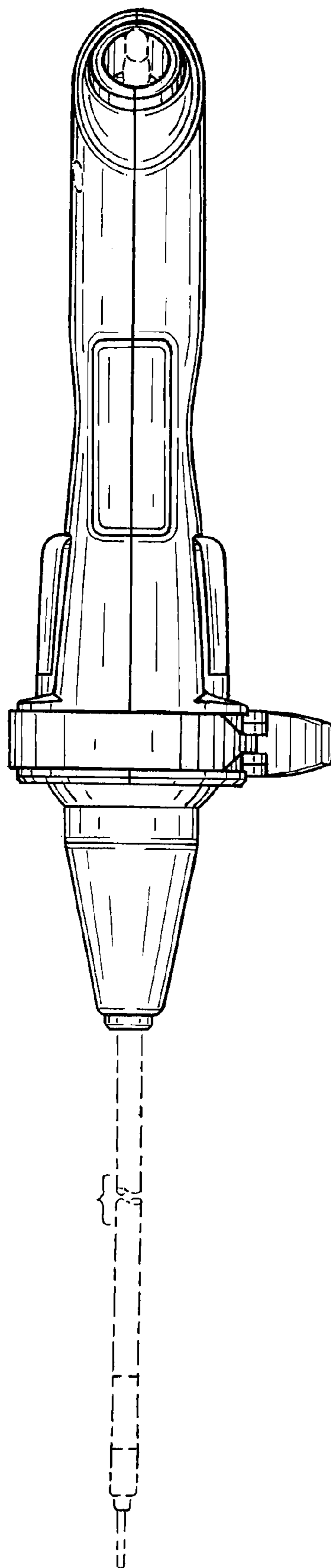


Fig. 5

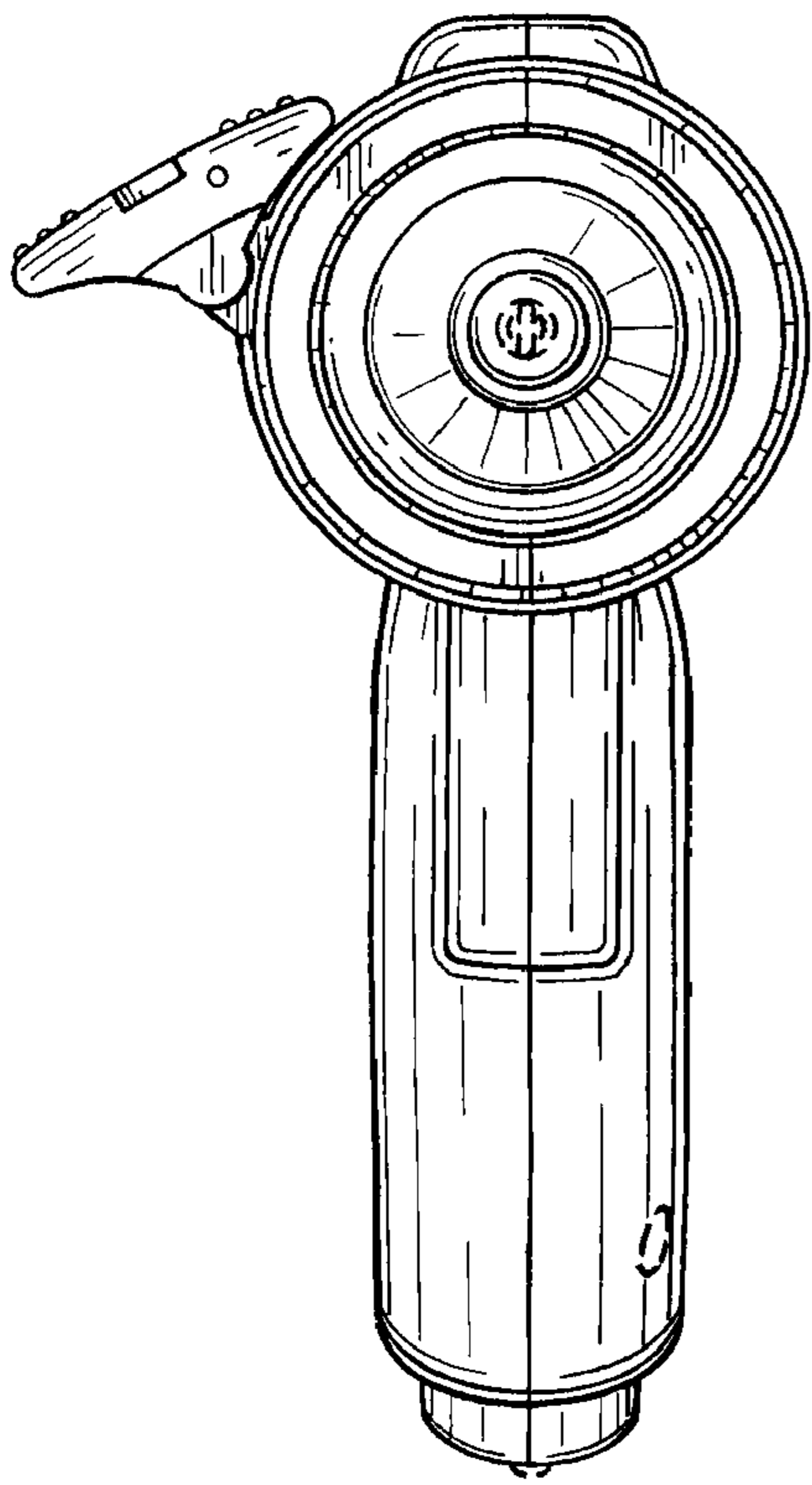


Fig. 6

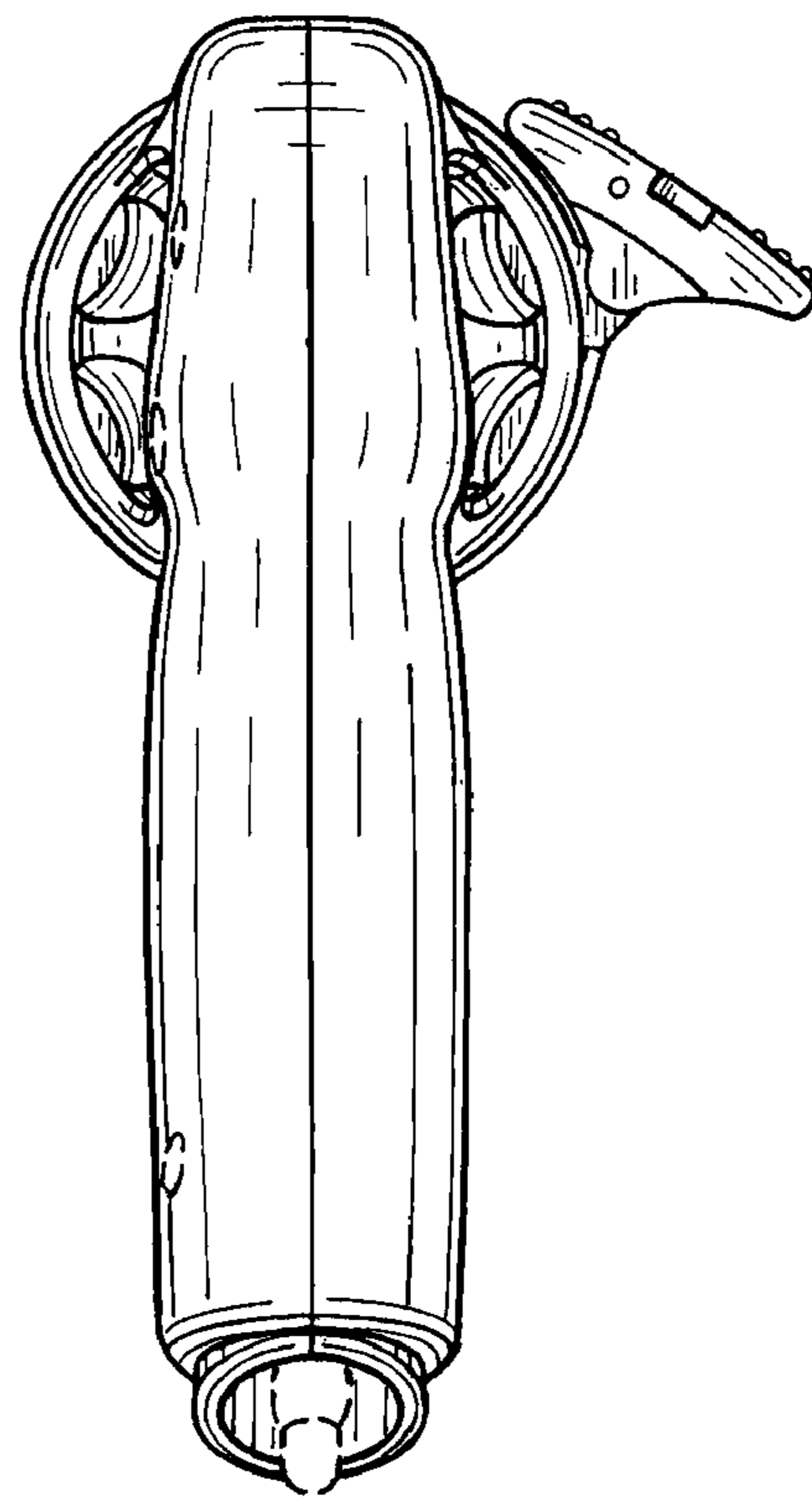


Fig. 7