



US00D640788S

(12) **United States Design Patent**
Applying

(10) **Patent No.:** **US D640,788 S**

(45) **Date of Patent:** **** Jun. 28, 2011**

(54) **DIALYSIS CATHETER TIP**

(75) Inventor: **William M. Appling**, Granville, NY
(US)

(73) Assignee: **Arigio Dynamics, Inc.**, Latham, NY
(US)

(**) Term: **14 Years**

(21) Appl. No.: **29/376,091**

(22) Filed: **Oct. 1, 2010**

(51) **LOC (9) Cl.** **24-02**

(52) **U.S. Cl.** **D24/130**

(58) **Field of Classification Search** D24/130;
604/164.05, 165.3, 167, 161, 523, 264, 167.02,
604/272, 533, 525, 905, 912, 177, 83, 921,
604/539

See application file for complete search history.

(56) **References Cited**

U.S. PATENT DOCUMENTS

1,998,225	A *	4/1935	Dow	604/174
4,795,426	A *	1/1989	Jones	604/539
4,863,441	A *	9/1989	Lindsay et al.	604/523
5,261,885	A *	11/1993	Lui	604/247
5,522,807	A *	6/1996	Luther	604/264
5,554,136	A *	9/1996	Luther	604/264
6,511,474	B1 *	1/2003	Andersen	604/264
6,991,625	B1	1/2006	Gately et al.	
7,066,925	B2	6/2006	Gately et al.	
D541,936	S *	5/2007	Patterson	D24/130
D550,839	S *	9/2007	Zawacki et al.	D24/130

D581,529	S *	11/2008	Moehle et al.	D24/130
D603,044	S *	10/2009	Appling et al.	D24/130
7,645,273	B2 *	1/2010	Lualdi	604/523
7,717,898	B2	5/2010	Gately et al.	
2002/0026156	A1 *	2/2002	Quinn	604/264
2002/0091362	A1 *	7/2002	Maginot et al.	604/264
2003/0093029	A1 *	5/2003	McGuckin et al.	604/43
2006/0276749	A1 *	12/2006	Selmon et al.	604/164.01
2008/0154217	A1 *	6/2008	Carrez et al.	604/272
2008/0188832	A1 *	8/2008	Tanioka et al.	604/525
2009/0209940	A1 *	8/2009	Nimkar et al.	604/523
2010/0228230	A1	9/2010	Gately et al.	

* cited by examiner

Primary Examiner — T. Chase Nelson

Assistant Examiner — Eric Goodman

(74) *Attorney, Agent, or Firm* — Tara L. Custer

(57) **CLAIM**

The ornamental design for a dialysis catheter tip, substantially as shown and described.

DESCRIPTION

FIG. 1 is a perspective view of a catheter tip.

FIG. 2 is an enlarged perspective view of the catheter tip illustrated in FIG. 1.

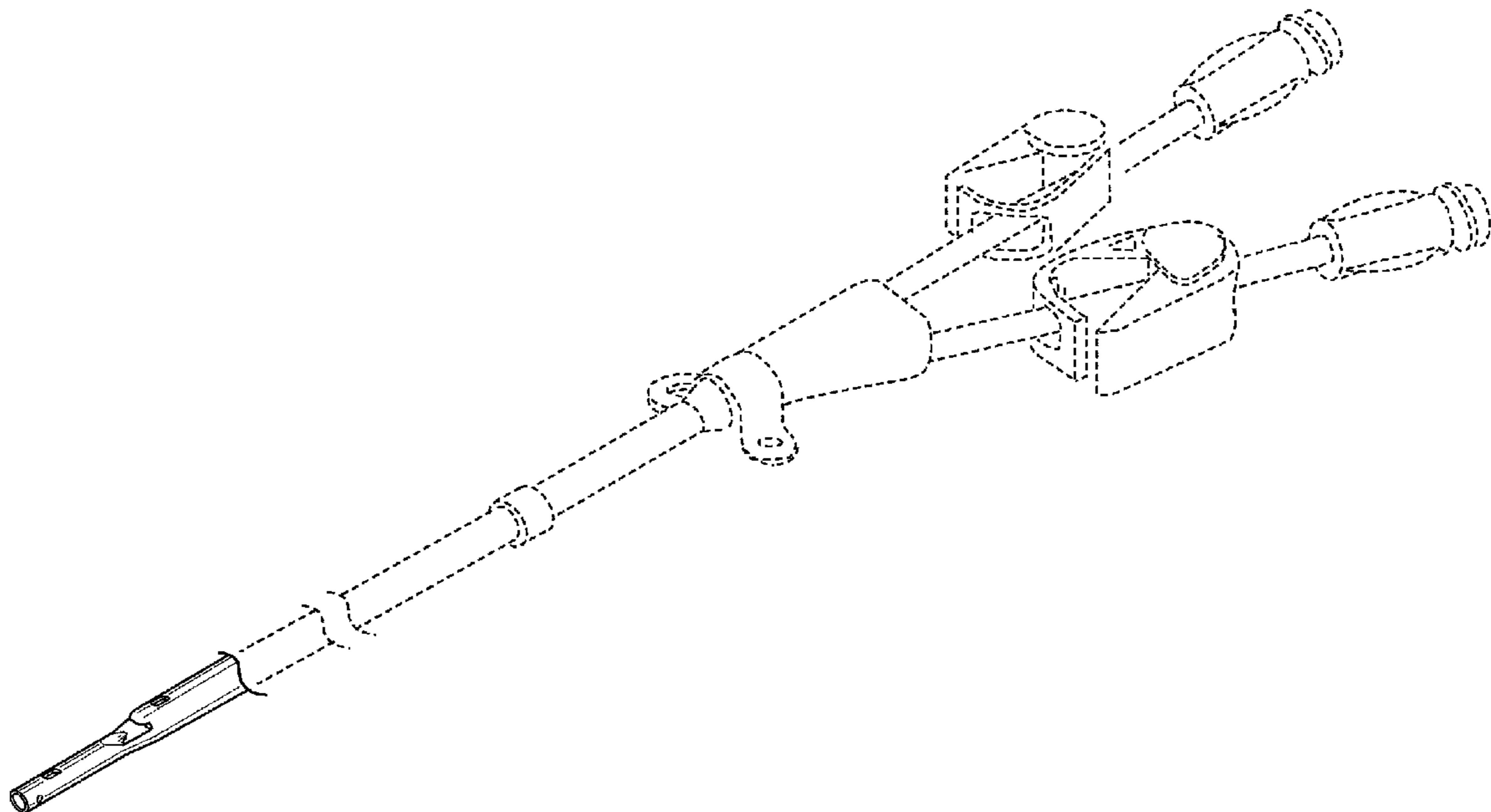
FIG. 3 is an enlarged top plan view of the catheter tip illustrated in FIG. 1.

FIG. 4 is an enlarged side elevation view of the catheter tip illustrated in FIG. 1.

FIG. 5 is an enlarged bottom plan view of the catheter tip illustrated in FIG. 1; and,

FIG. 6 is an enlarged end view of the catheter tip illustrated in FIG. 1.

1 Claim, 3 Drawing Sheets



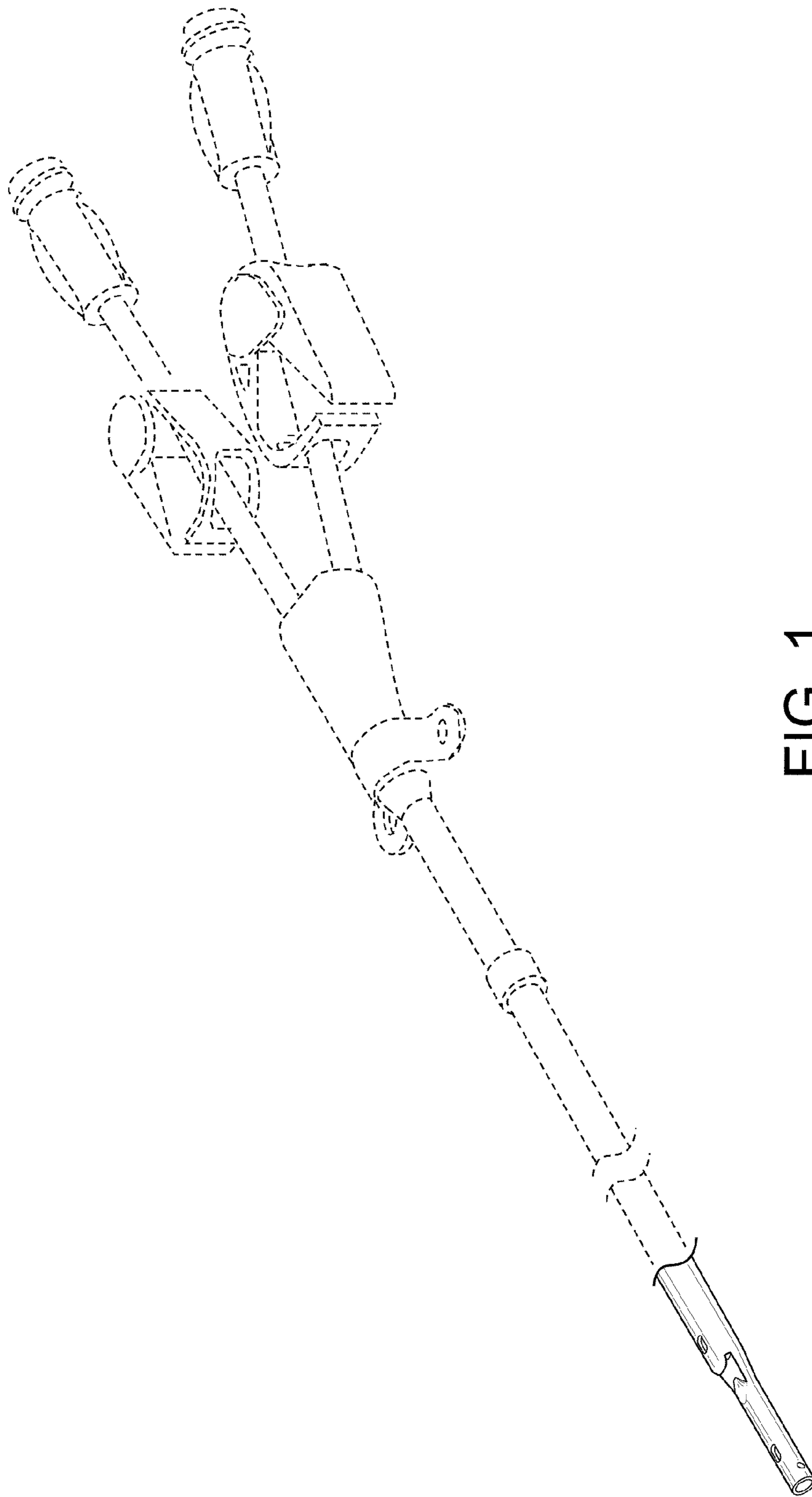


FIG. 1

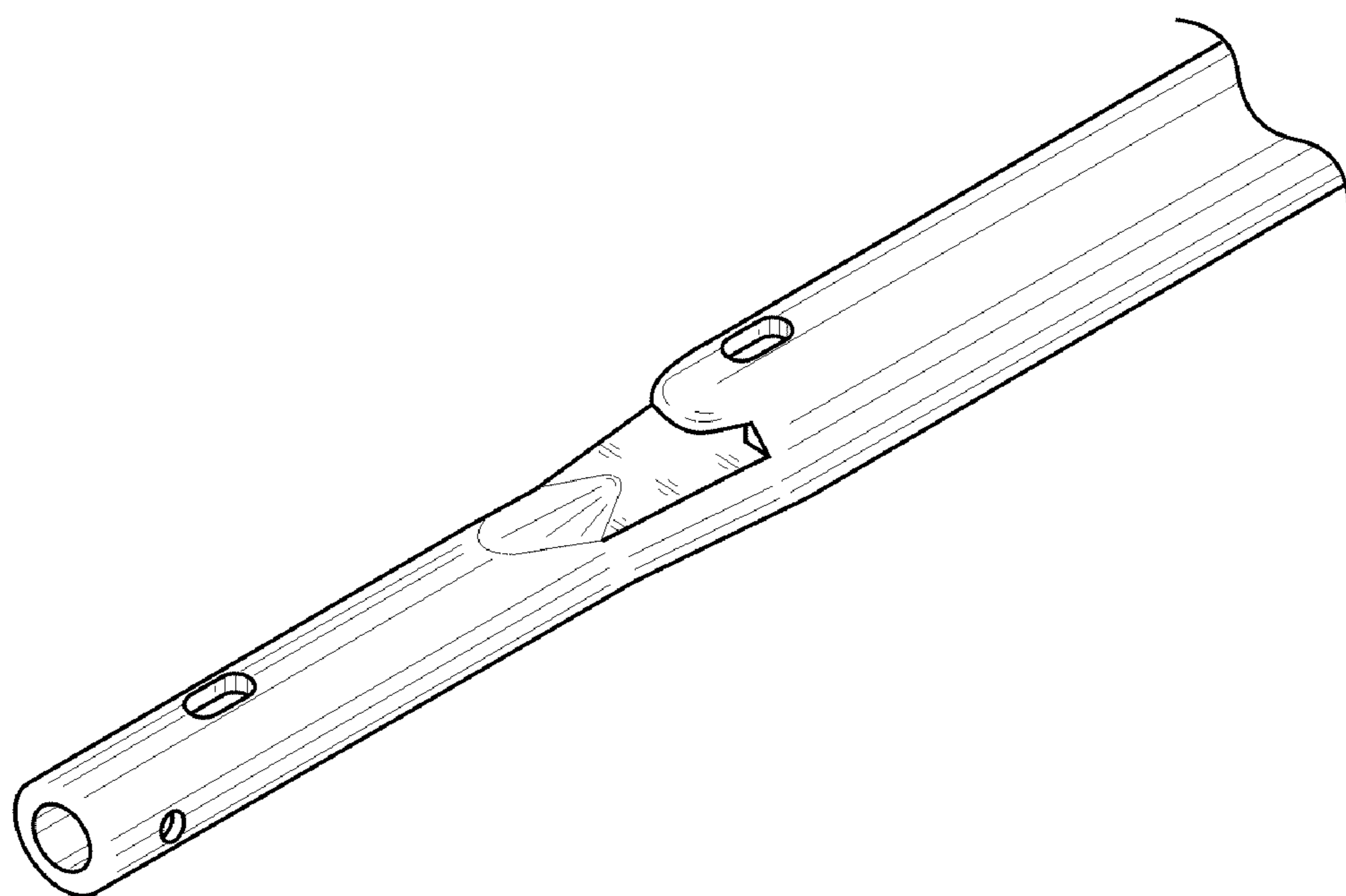


FIG. 2

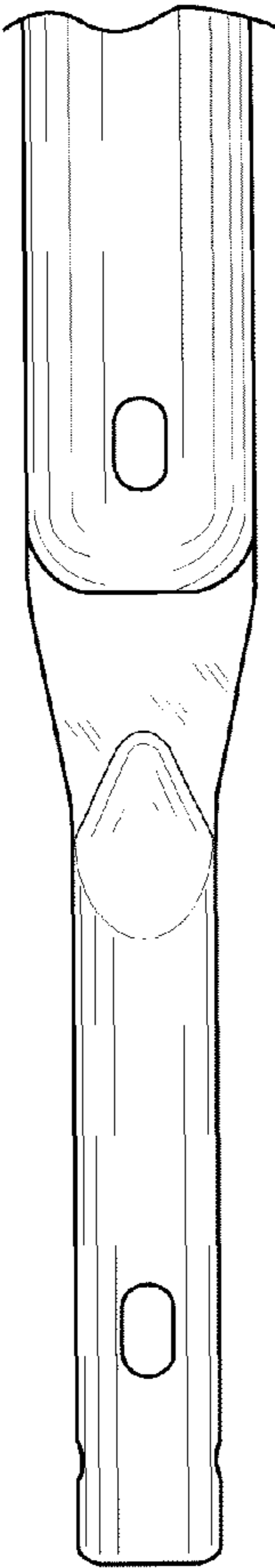


FIG. 3

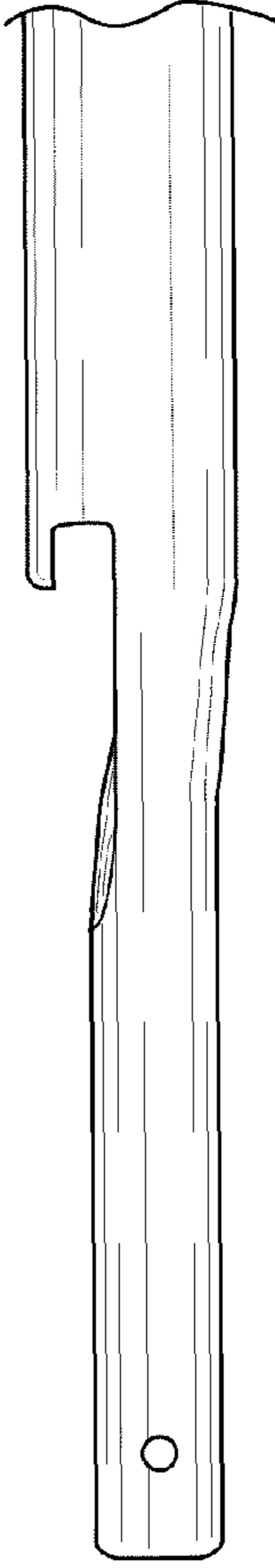


FIG. 4

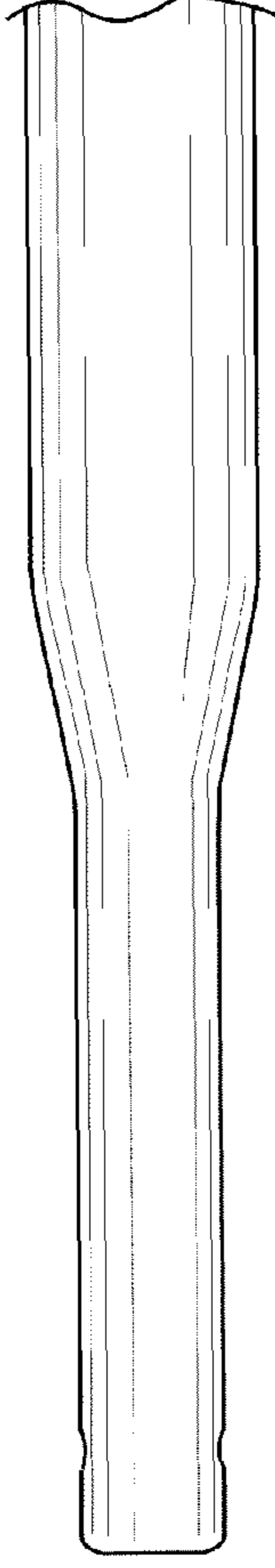


FIG. 5

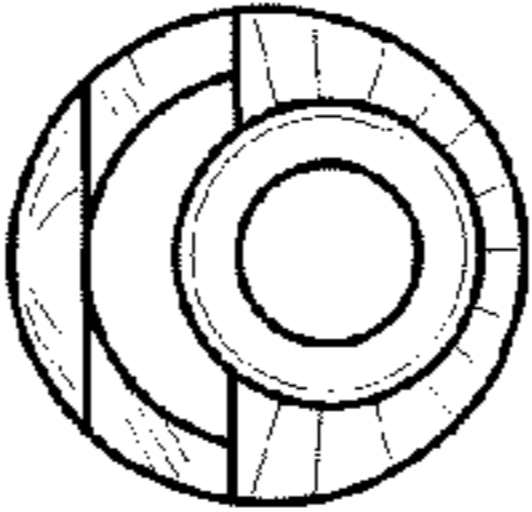


FIG. 6

UNITED STATES PATENT AND TRADEMARK OFFICE
CERTIFICATE OF CORRECTION

PATENT NO. : D640,788 S
APPLICATION NO. : 29/376091
DATED : June 28, 2011
INVENTOR(S) : William M. Appling

Page 1 of 1

It is certified that error appears in the above-identified patent and that said Letters Patent is hereby corrected as shown below:

ON THE TITLE PAGE:

Item (73) change Assignee from “Arigio Dynamics, Inc.” to “AngioDynamics, Inc.”.

Signed and Sealed this
Second Day of August, 2011

A handwritten signature in black ink that reads "David J. Kappos". The signature is written in a cursive style with a large initial 'D' and 'K'.

David J. Kappos
Director of the United States Patent and Trademark Office