



US00D640787S

(12) **United States Design Patent**
Chia et al.

(10) **Patent No.:** **US D640,787 S**
(45) **Date of Patent:** **** Jun. 28, 2011**

(54) **INJECTION DEVICE WITH SEALED LUER FITTING**

(75) Inventors: **Yu Leng Neville Chia**, Singapore (SG);
Hong Tat Teddy Lim, Singapore (SG)

(73) Assignee: **Becton, Dickinson and Company**,
Franklin Lakes, NJ (US)

(**) Term: **14 Years**

(21) Appl. No.: **29/315,692**

(22) Filed: **Jul. 15, 2009**

(51) **LOC (9) Cl.** **24-02**

(52) **U.S. Cl.** **D24/130**

(58) **Field of Classification Search** D9/435,
D9/443, 444, 445, 439, 454, 695, 696, 697,
D9/698, 699; D24/107, 108, 112, 113, 114,
D24/115, 117, 121, 127, 129, 130, 133; 222/207,
222/213, 215, 541.1, 421, 422, 541.6, 541.9,
222/13; 264/524; 215/DIG. 3; 285/3, 26,
285/332, 401; 600/5; 604/3, 27, 93.01, 187,
604/192, 200, 213, 217, 244, 257, 264, 414,
604/508, 533, 905

See application file for complete search history.

(56) **References Cited**

U.S. PATENT DOCUMENTS

2,371,086	A	3/1945	Watson et al.	
2,677,373	A	5/1954	Barradas	
4,076,285	A *	2/1978	Martinez	285/332
D255,492	S *	6/1980	Meierhoefer	D24/117
4,296,949	A *	10/1981	Muetterties et al.	285/18
4,883,473	A	11/1989	Thomas	
4,955,871	A	9/1990	Thomas	
D327,008	S *	6/1992	Friedman	D9/696
5,222,948	A	6/1993	Austin et al.	
5,620,427	A *	4/1997	Werschmidt et al.	604/535
6,068,614	A	5/2000	Kimber	
6,319,236	B1 *	11/2001	Bock	604/240
6,332,633	B1 *	12/2001	Fitoussi et al.	285/332
6,520,935	B1	2/2003	Jansen et al.	

D474,839	S *	5/2003	Francavilla et al.	D24/129
6,673,059	B2 *	1/2004	Guala	604/533
6,840,373	B2 *	1/2005	Gibler et al.	206/219
6,854,595	B2 *	2/2005	Kiser	206/222
6,893,056	B2 *	5/2005	Guala	285/332.1
7,396,051	B2 *	7/2008	Baldwin et al.	285/354
2009/0082725	A1	3/2009	Witowski	
2009/0102192	A1 *	4/2009	Ziman	285/401

FOREIGN PATENT DOCUMENTS

DE	10 2005 052 545	5/2007
EP	356 679 B1	6/1994
EP	1 961 437 A1	8/2008
GB	789926 A	1/1958
WO	WO 89/10765 A2	11/1989
WO	WO 96/14100	5/1996
WO	WO 2008/097217 A1	8/2008

* cited by examiner

Primary Examiner — Karen E Eldridge Powers

(74) *Attorney, Agent, or Firm* — David M. Fortunato; Cohen Pontani Lieberman and Pavane LLP

(57) **CLAIM**

The ornamental design for an injection device with sealed luer fitting, as shown and described.

DESCRIPTION

FIG. 1 is an exploded, perspective view of a injection device with sealed luer fitting, with the housing shown in dashed lines illustrating environmental matter and forming no part of the claim;

FIG. 2 is a perspective view thereof;

FIG. 3 is a top view thereof;

FIG. 4 is a front view thereof;

FIG. 5 is a right side view thereof;

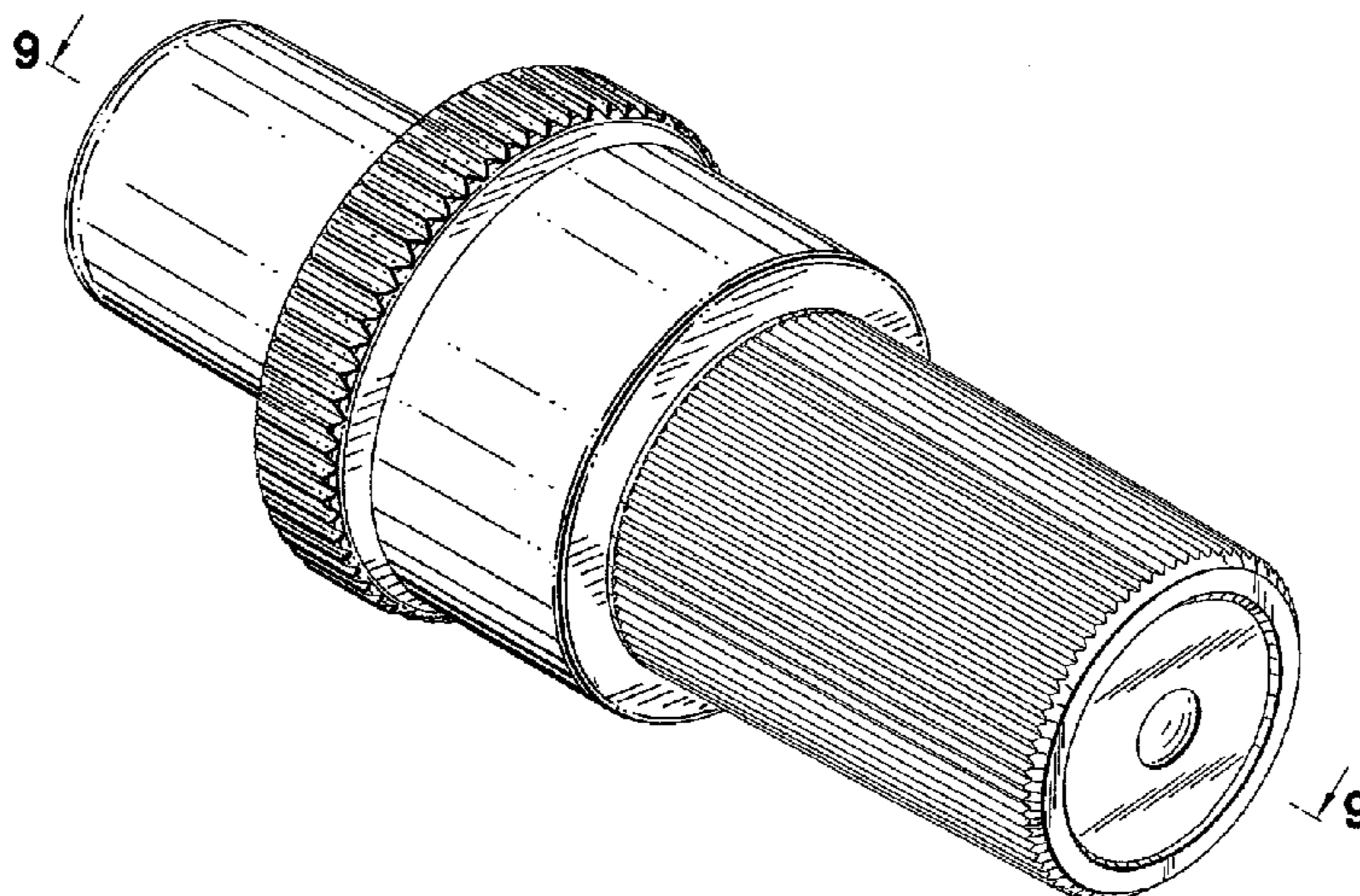
FIG. 6 is a left side view thereof;

FIG. 7 is a rear view thereof;

FIG. 8 is a bottom view thereof; and,

FIG. 9 is a cross-sectional view taken from line 9-9 of FIG. 2, with the interior edges shown in dashed lines illustrating environmental matter and forming no part of the claim.

1 Claim, 8 Drawing Sheets



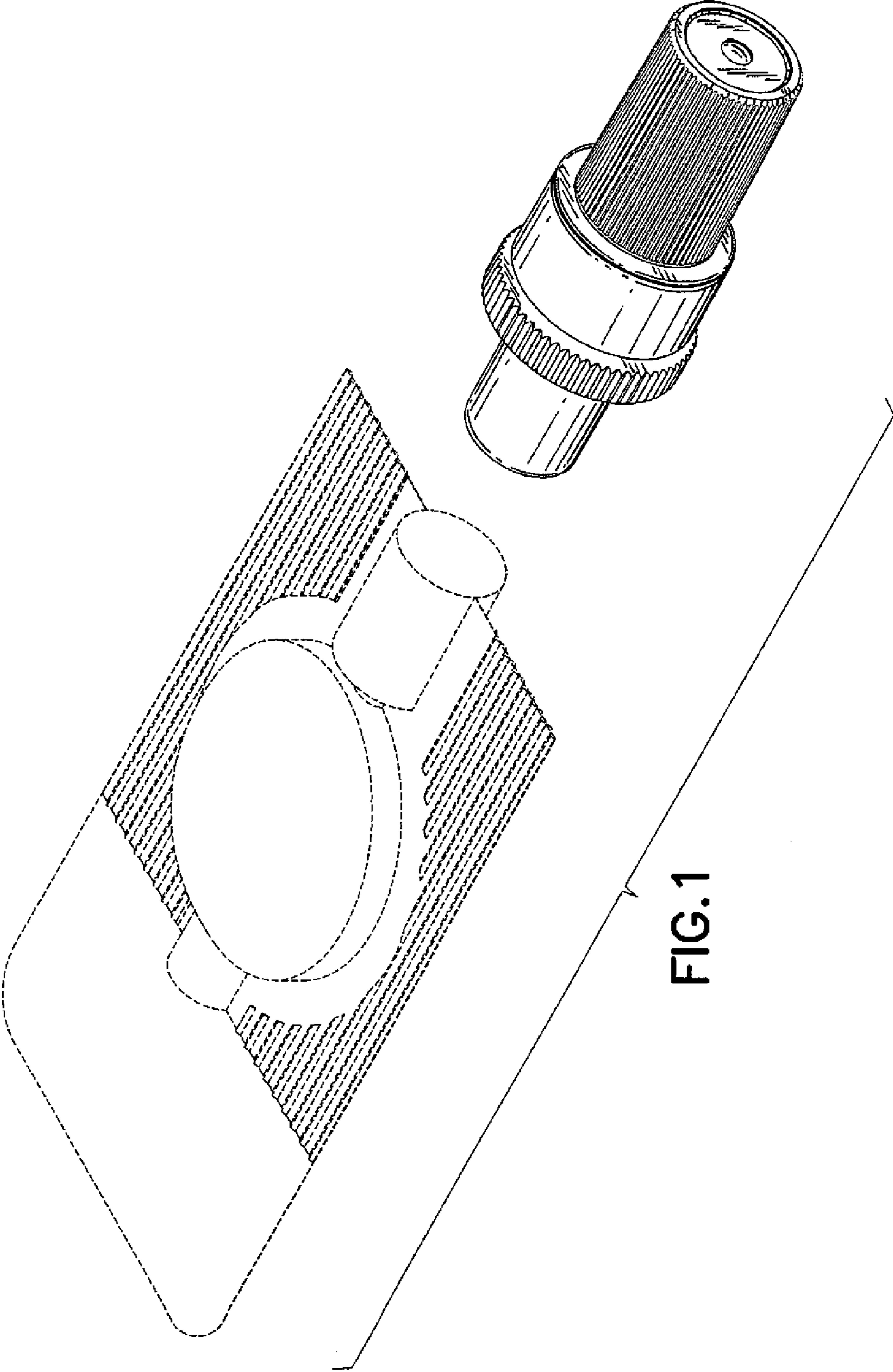


FIG. 1

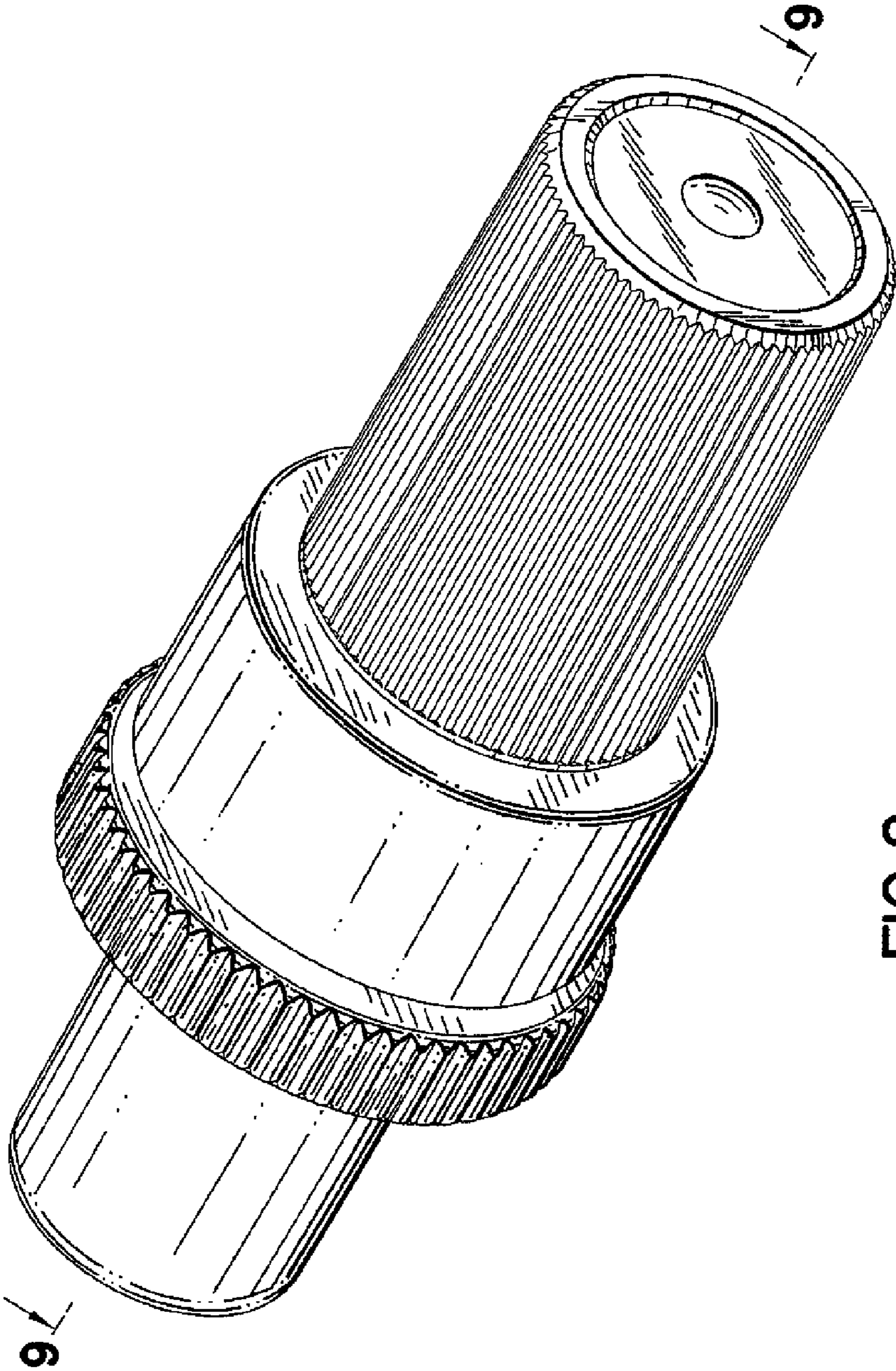


FIG.2

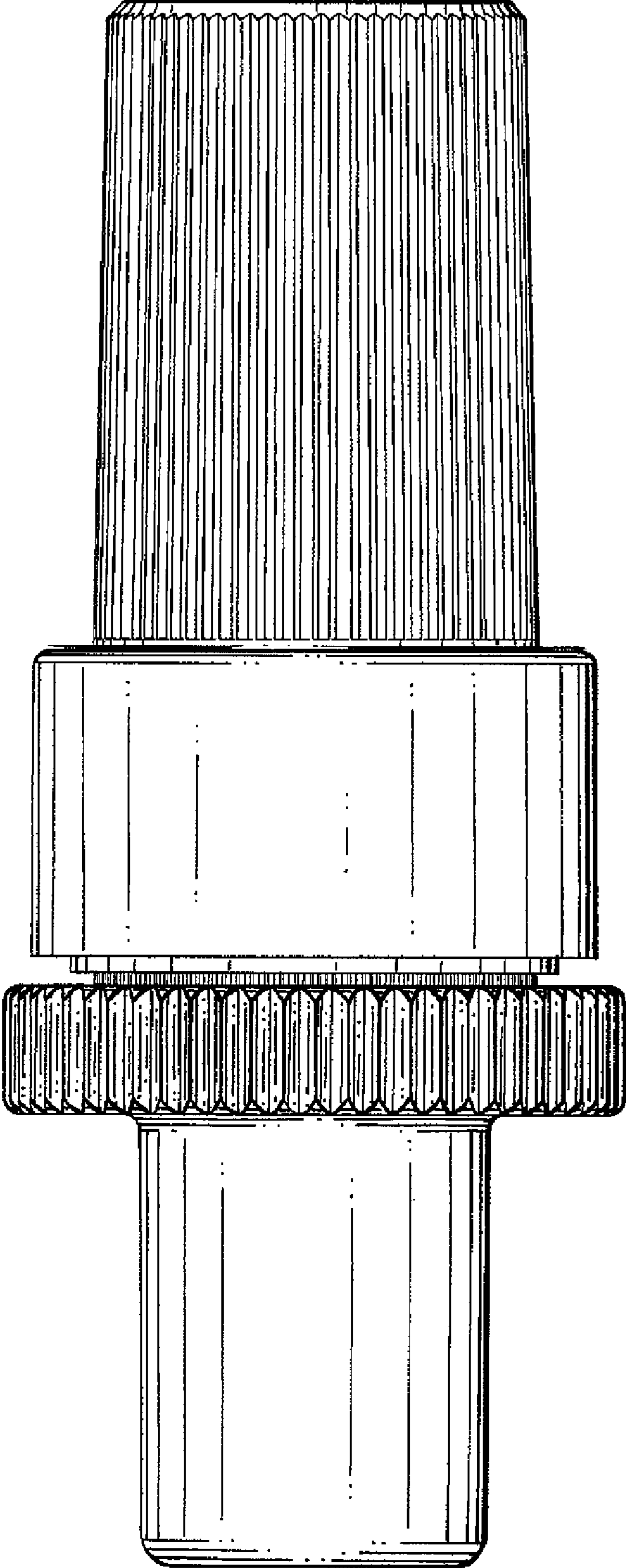


FIG. 3

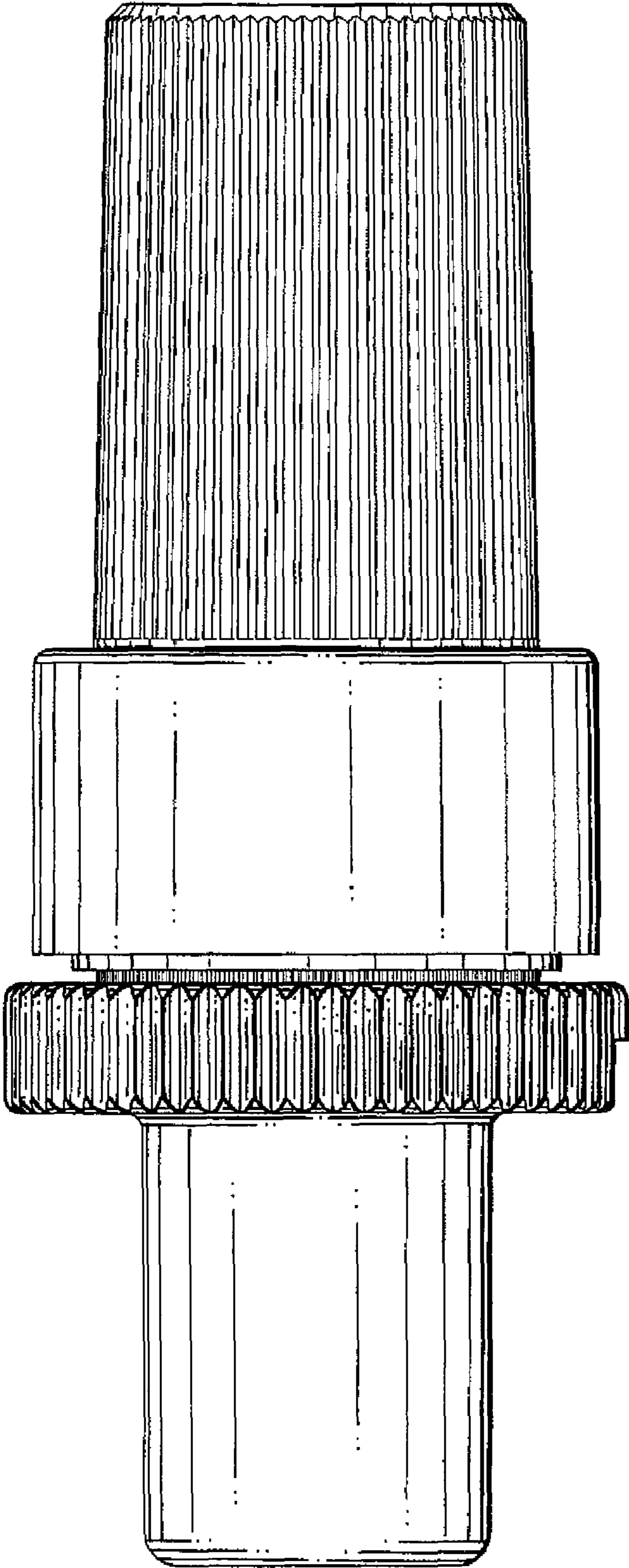


FIG.4

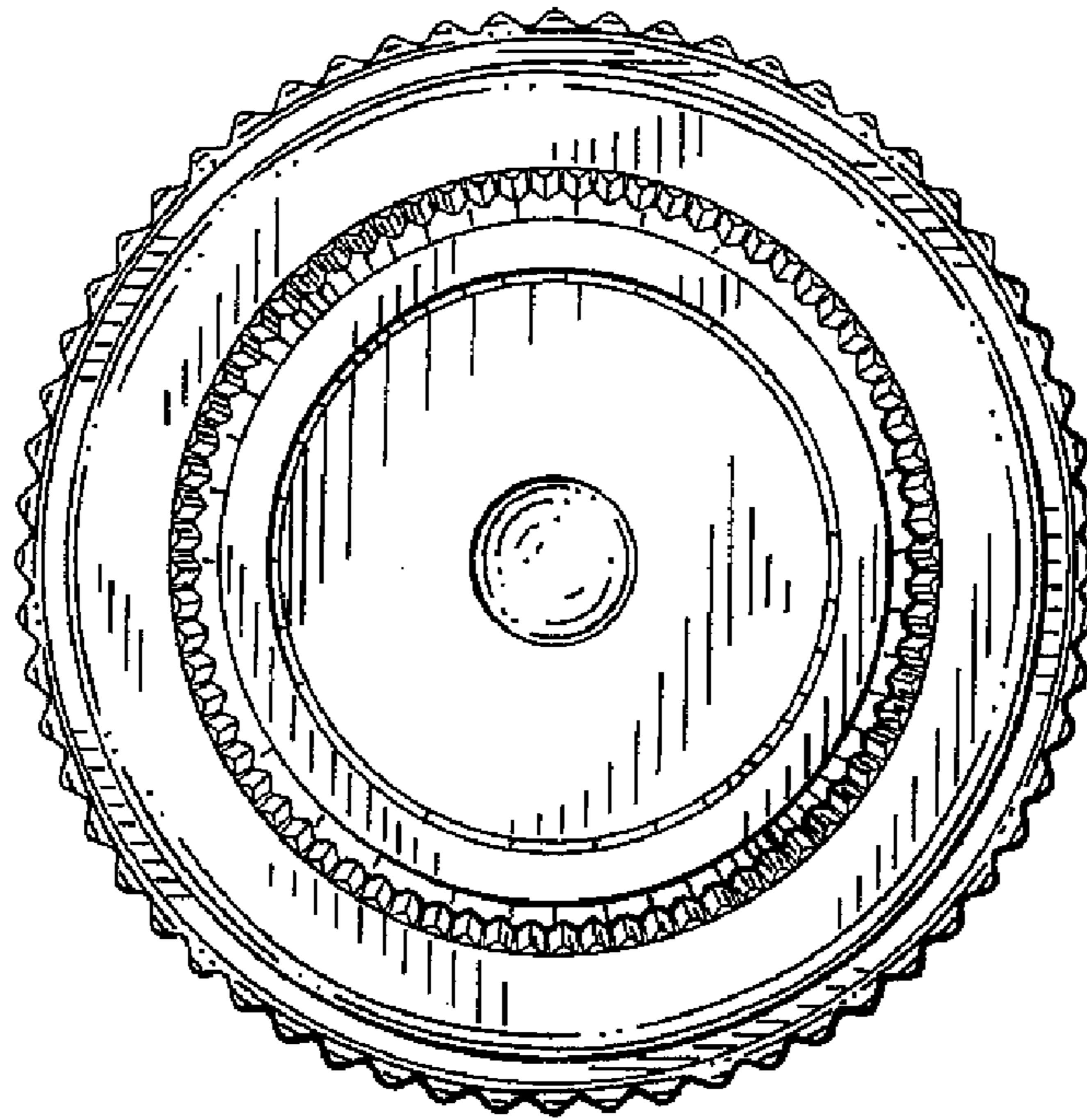


FIG. 5

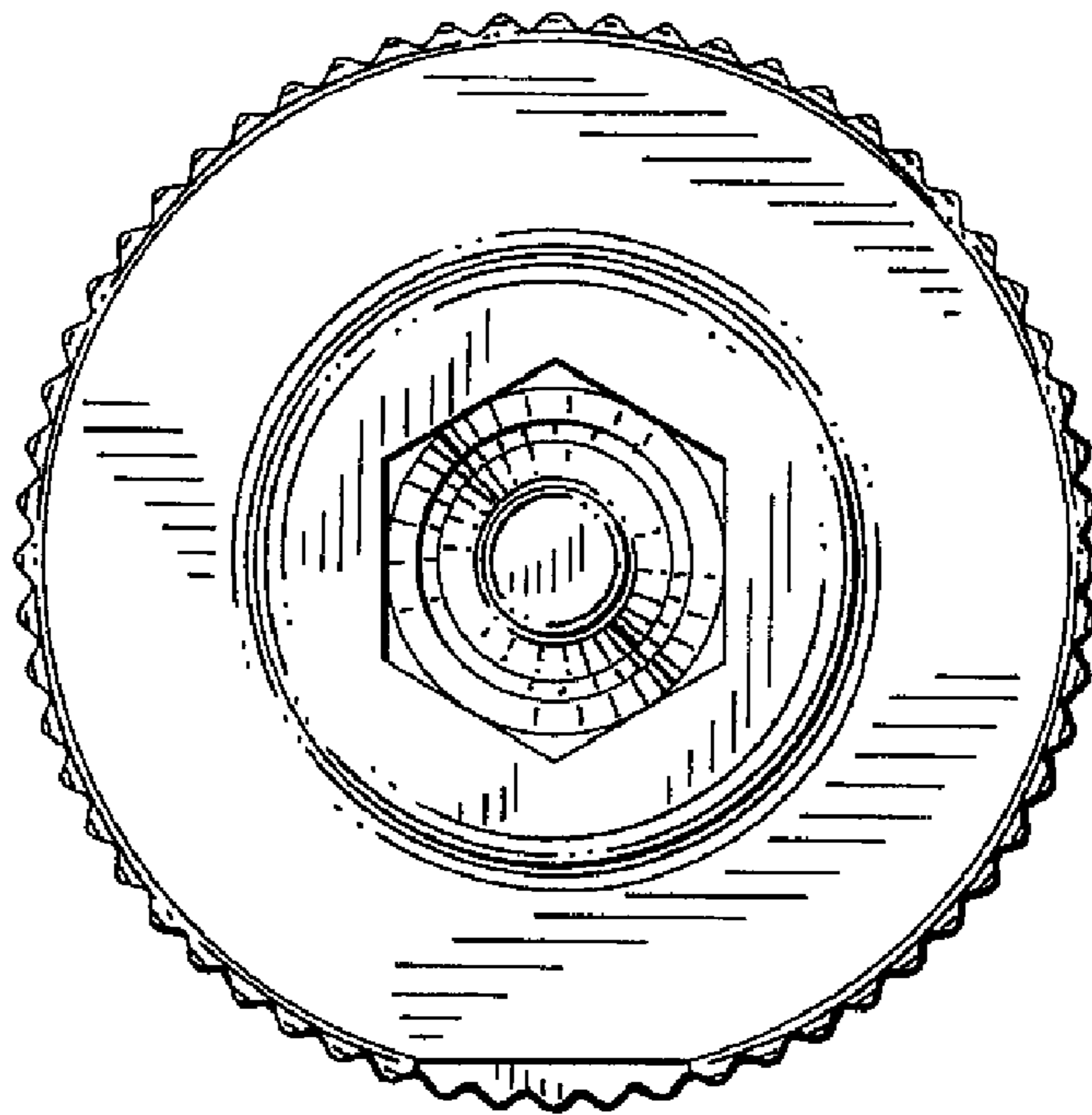


FIG. 6

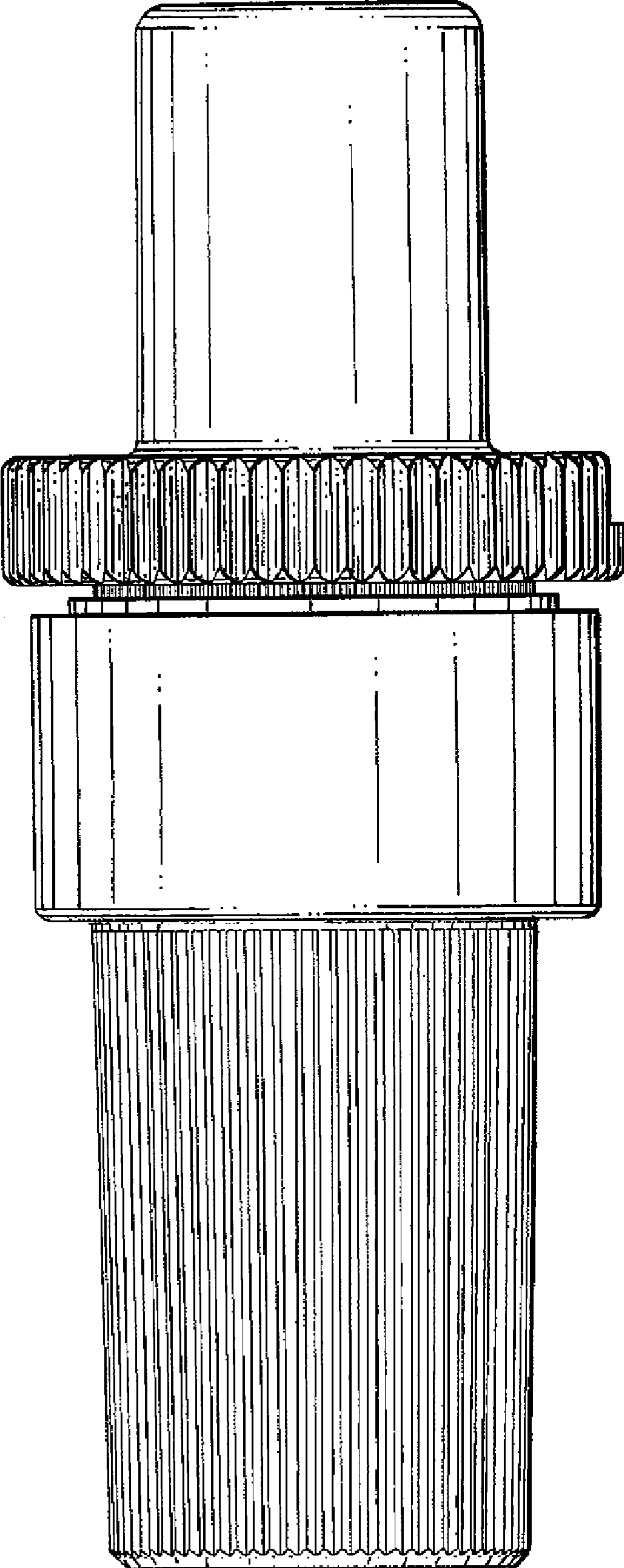


FIG. 7

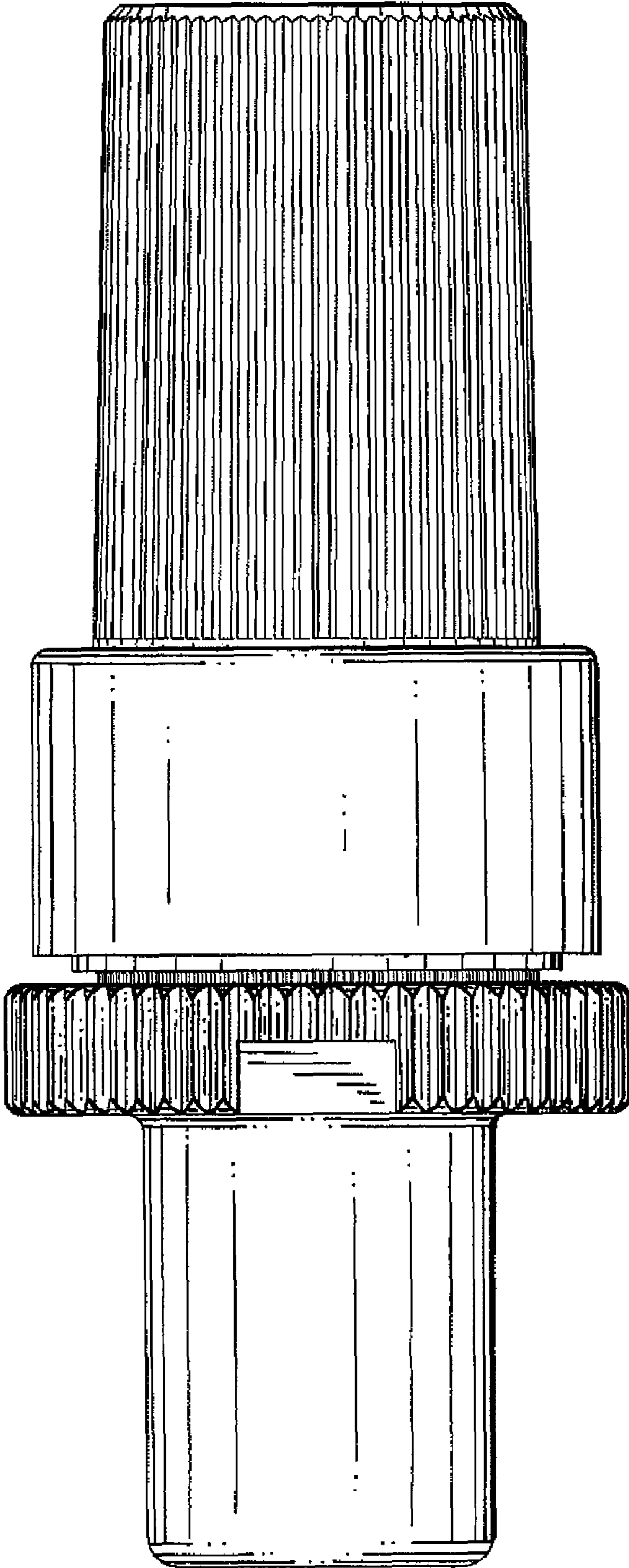


FIG.8

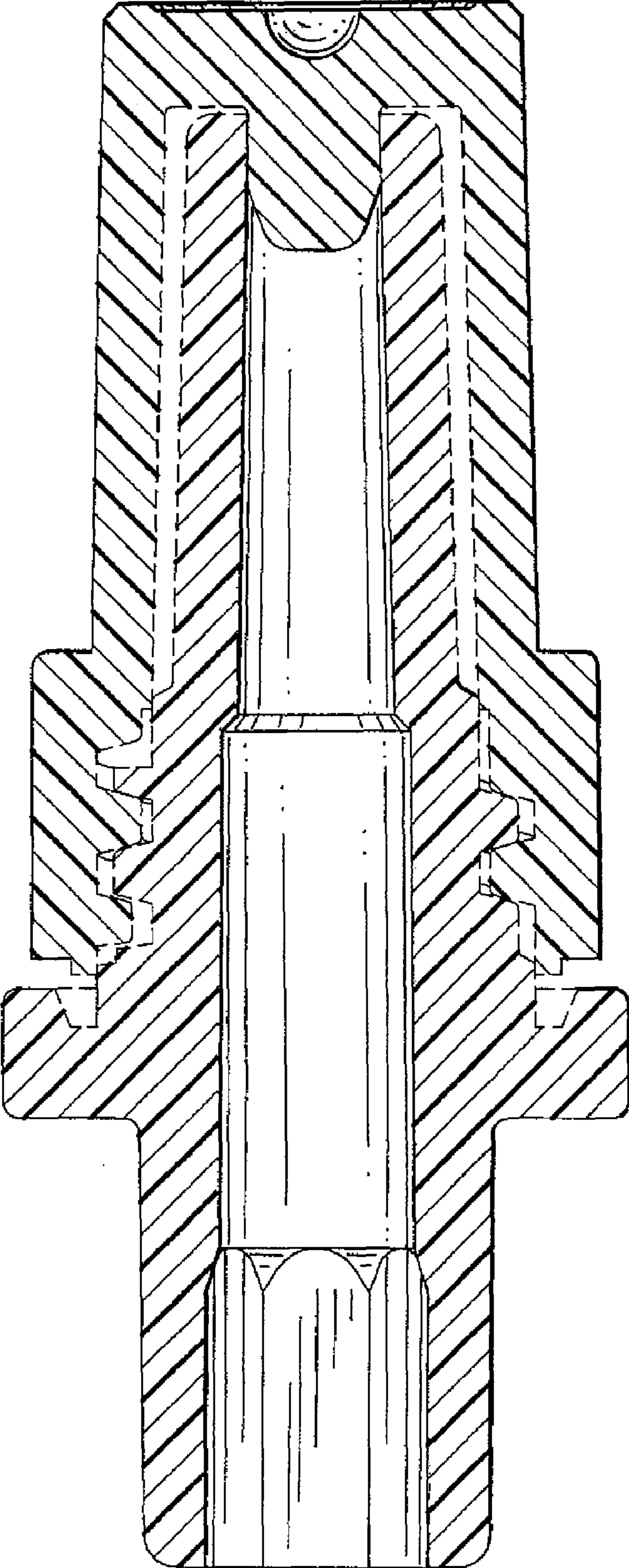


FIG. 9