



US00D640786S

(12) **United States Design Patent**
Sato et al.

(10) **Patent No.:** **US D640,786 S**
(45) **Date of Patent:** **** Jun. 28, 2011**

(54) **DRIP CHAMBER**

(75) Inventors: **Chozo Sato**, Osaka (JP); **Toru Sugawara**, Osaka (JP); **Masato Hidaka**, Osaka (JP)

(73) Assignee: **Nipro Corporation**, Osaka (JP)

(**) Term: **14 Years**

(21) Appl. No.: **29/376,198**

(22) Filed: **Oct. 4, 2010**

(30) **Foreign Application Priority Data**

Apr. 5, 2010 (JP) D2010-008500

(51) **LOC (9) Cl.** **24-02**

(52) **U.S. Cl.** **D24/117**

(58) **Field of Classification Search** D24/117,
D24/121-123, 224, 108, 107, 129; 604/411,
604/905, 251, 252, 241, 153, 246, 65, 177,
604/197, 319, 406; 210/94, 436, 488; 137/177,
137/197; 285/260

See application file for complete search history.

(56) **References Cited**

U.S. PATENT DOCUMENTS

3,834,386 A * 9/1974 Sisley D24/117
3,855,997 A * 12/1974 Sauer 604/319
D235,150 S * 5/1975 Terman D24/117
D282,283 S * 1/1986 Weigl et al. D24/129

D288,129 S * 2/1987 Taylor D24/117
D319,698 S * 9/1991 Arioka et al. D24/117
D335,535 S * 5/1993 Arioka et al. D24/117
5,312,479 A * 5/1994 Weinstein et al. 210/436
6,019,824 A * 2/2000 Schnell 604/406
D492,772 S * 7/2004 Austin D24/129
D522,145 S * 5/2006 Best et al. D24/224
D548,832 S * 8/2007 Kallay et al. D24/108
D624,175 S * 9/2010 Omori et al. D24/108

FOREIGN PATENT DOCUMENTS

JP 1355434 S 4/2009

* cited by examiner

Primary Examiner — David G Muller

(74) *Attorney, Agent, or Firm* — Birch, Stewart, Kolasch & Birch, LLP

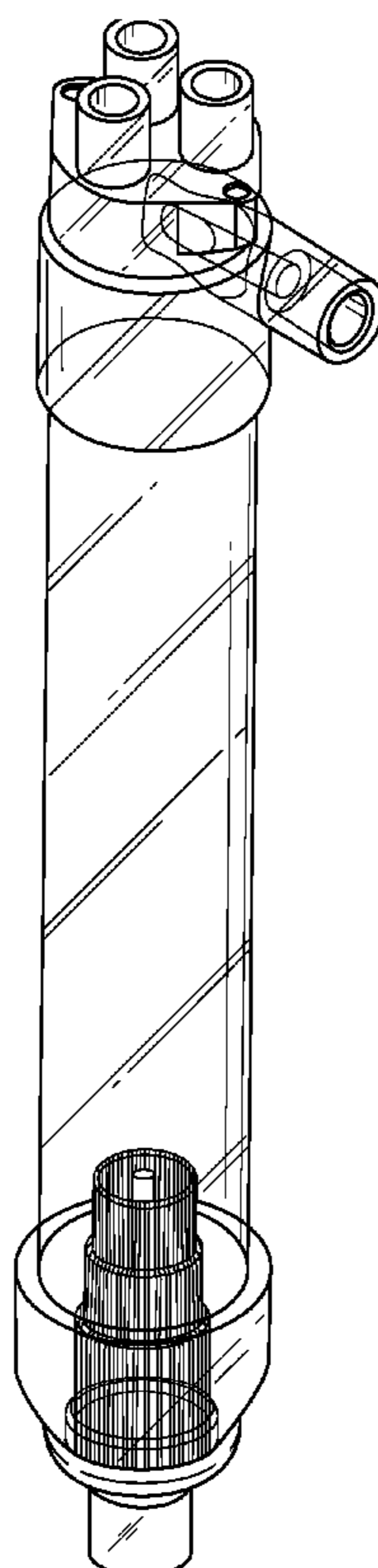
(57) **CLAIM**

The ornamental design for a drip chamber, as shown and described.

DESCRIPTION

FIG. 1 is a perspective view of a drip chamber;
FIG. 2 is a front view thereof;
FIG. 3 is a rear view thereof;
FIG. 4 is a left side view thereof;
FIG. 5 is a right side view thereof;
FIG. 6 is a top view thereof; and,
FIG. 7 is a bottom view thereof.

1 Claim, 4 Drawing Sheets



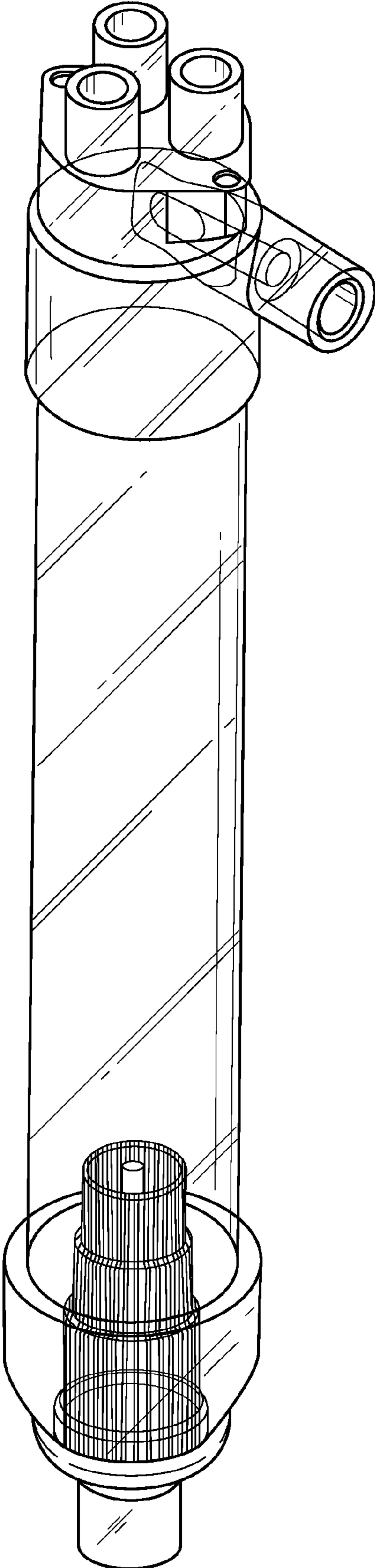


FIG. 1

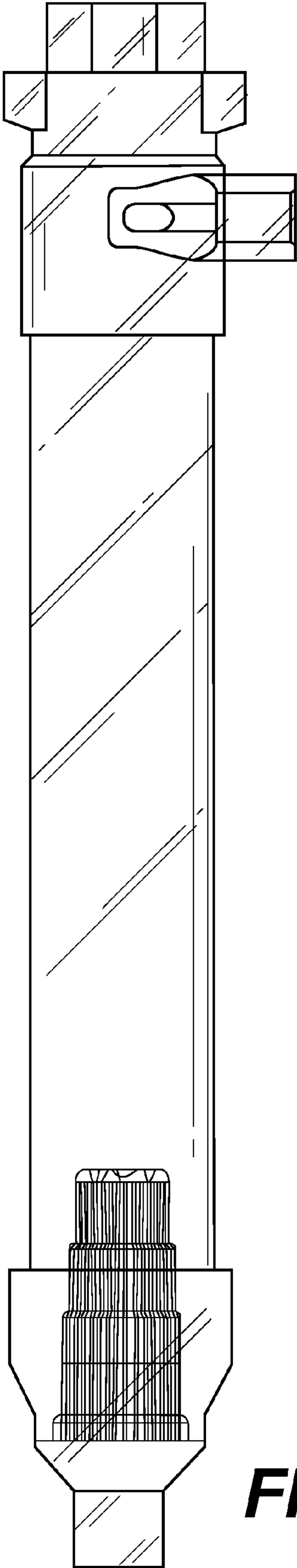


FIG. 2

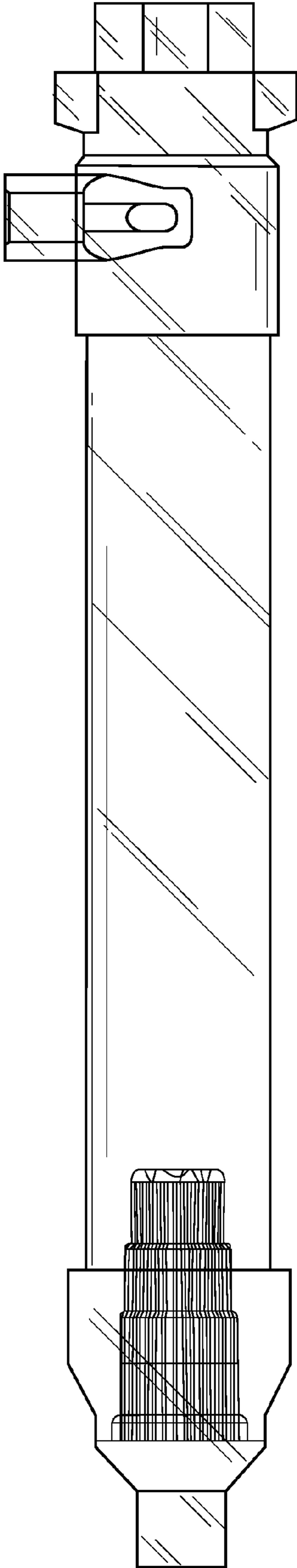


FIG. 3

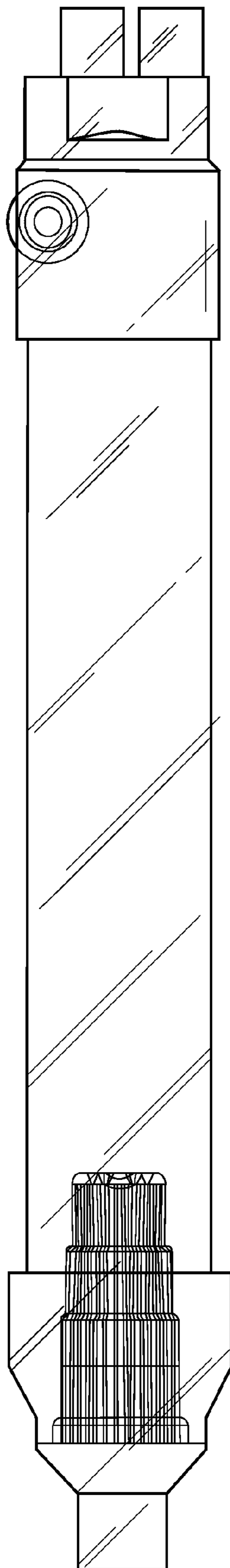


FIG. 4

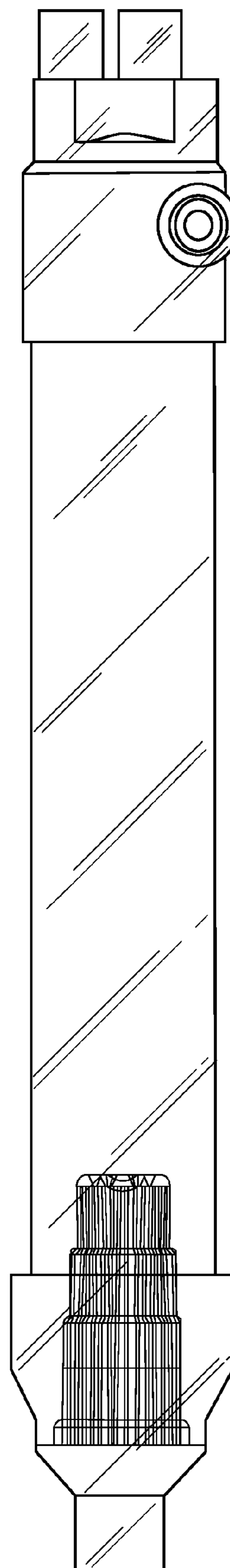


FIG. 5

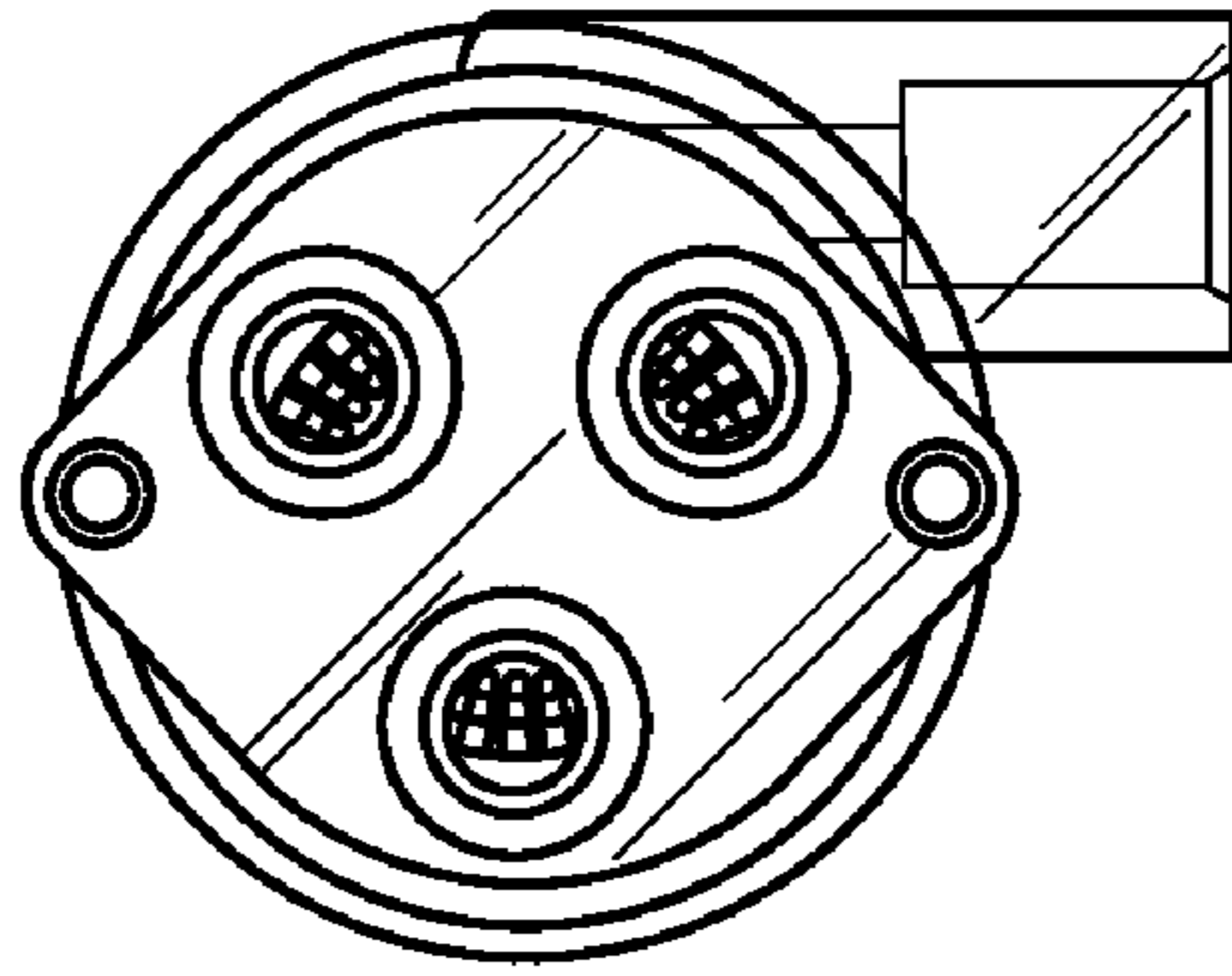


FIG. 6

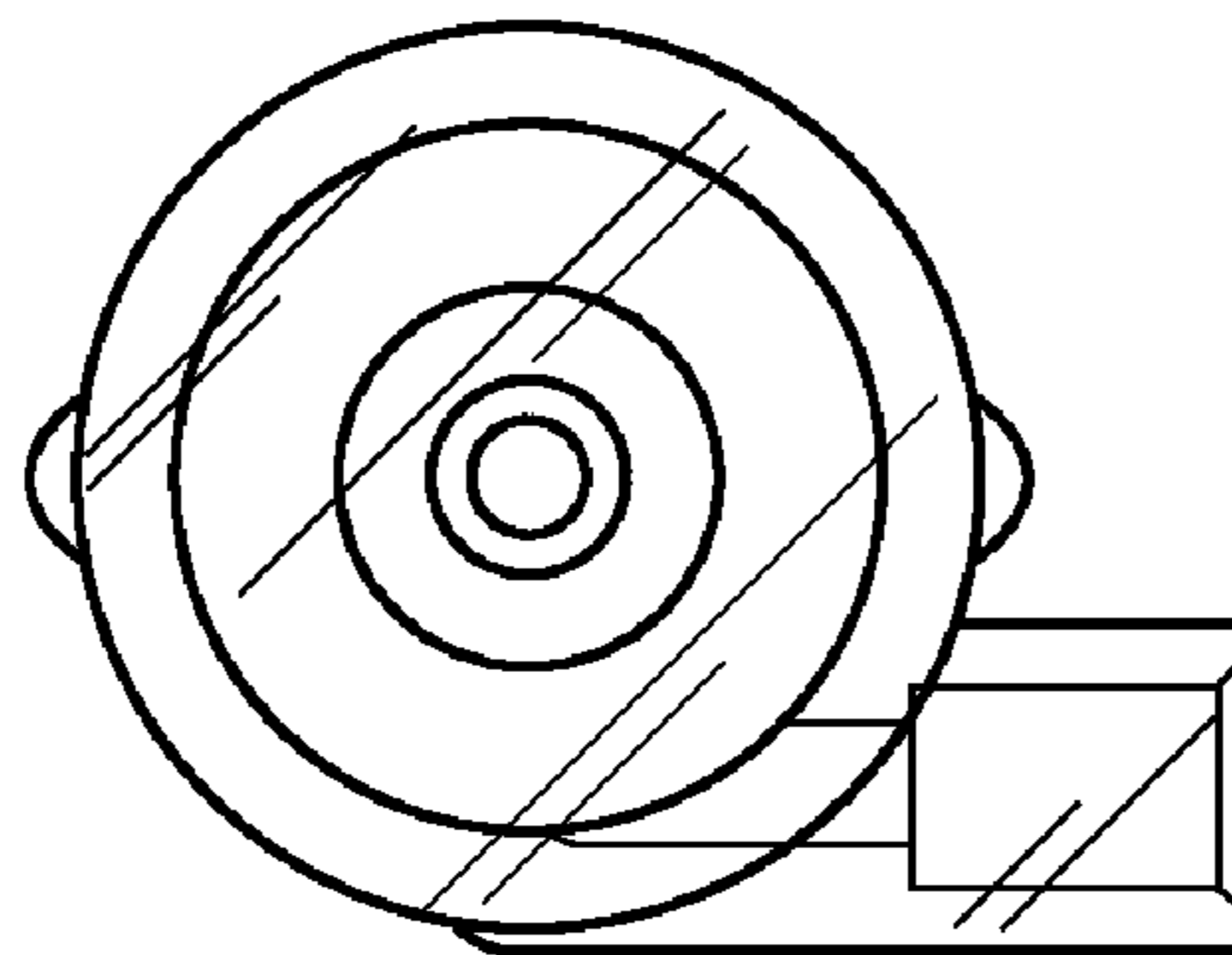


FIG. 7

UNITED STATES PATENT AND TRADEMARK OFFICE
CERTIFICATE OF CORRECTION

PATENT NO. : D640,786 S
APPLICATION NO. : 29/376198
DATED : June 28, 2011
INVENTOR(S) : Chozo Sato et al.

Page 1 of 2

It is certified that error appears in the above-identified patent and that said Letters Patent is hereby corrected as shown below:

In the drawings, sheet 2 of 4 consisting of Fig. 3, should be deleted and replaced with the corrected Fig. 3, as shown on the attached page.

Signed and Sealed this
Ninth Day of August, 2011

A handwritten signature in black ink that reads "David J. Kappos". The signature is written in a cursive, slightly slanted style.

David J. Kappos
Director of the United States Patent and Trademark Office

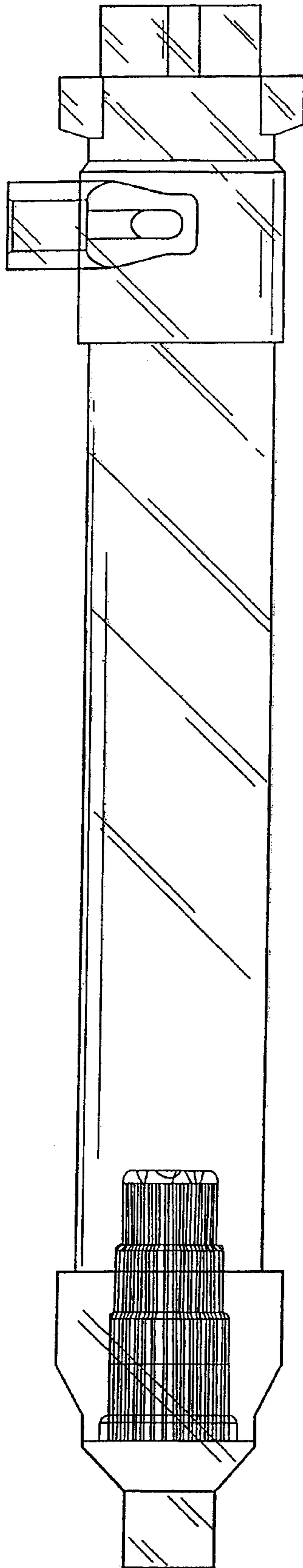


FIG. 3