



US00D640782S

(12) **United States Design Patent**
Dunn

(10) **Patent No.:** **US D640,782 S**
(45) **Date of Patent:** **** Jun. 28, 2011**

(54) **MULTI-SUMP GREASE CONTAINMENT APPARATUS**

7,244,283 B2 7/2007 Mirza
D560,276 S * 1/2008 Whittenberger D23/386
2009/0114094 A1 5/2009 Clapp et al.

(76) Inventor: **Joseph R. Dunn**, Raleigh, NC (US)

OTHER PUBLICATIONS

(**) Term: **14 Years**

“Photograph of grease containment system with single sump (lower center) attached to base of rooftop grease exhauster fan”, Nov. 2008, p. 1.

(21) Appl. No.: **29/354,523**

* cited by examiner

(22) Filed: **Jan. 26, 2010**

(51) **LOC (9) Cl.** **23-04**

Primary Examiner — David G Muller

(52) **U.S. Cl.** **D23/386**

(74) *Attorney, Agent, or Firm* — Vincent K. Gustafson; Hultquist IP

(58) **Field of Classification Search** D23/385–395,
D23/397, 370–373, 365, 351, 354, 399–403,
D23/421, 499; 454/309, 275–277, 284, 287–291,
454/358–368, 250–253, 41, 49, 17; 52/302.1,
52/32.07, 844; 55/DIG. 36, 199, 421; 126/300,
126/301, 312, 299 R, 299 E; 95/148; 96/143
See application file for complete search history.

(57) **CLAIM**

The ornamental design for a multi-sump grease containment apparatus, as shown and described.

DESCRIPTION

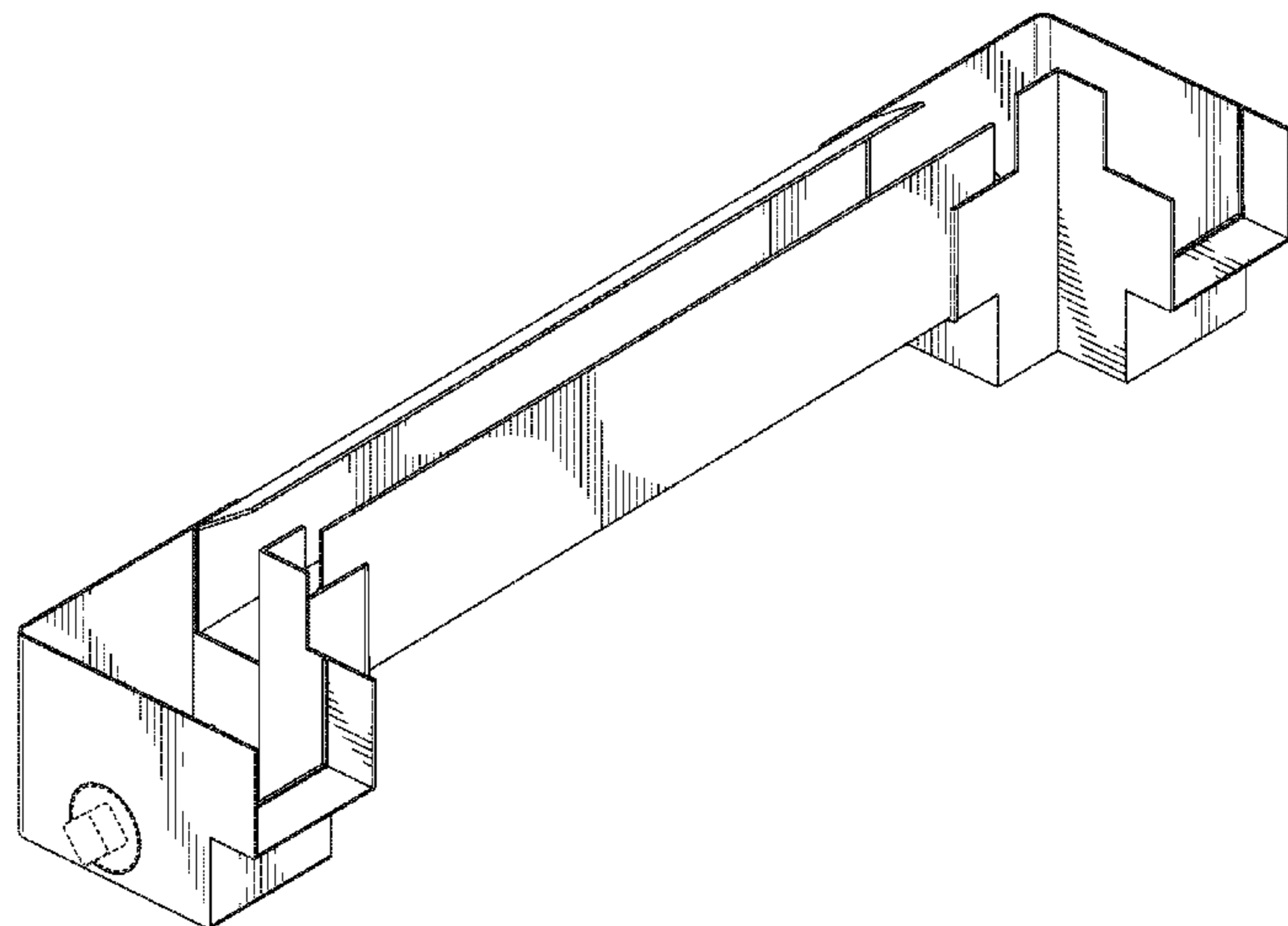
(56) **References Cited**

U.S. PATENT DOCUMENTS

| | | | | | |
|-----------|------|---------|-------------------|-------|-----------|
| 3,059,563 | A * | 10/1962 | Larson | | D23/370 |
| 4,113,617 | A | 9/1978 | Bereskin et al. | | |
| D258,410 | S * | 3/1981 | Mayo | | D23/393 |
| D271,329 | S * | 11/1983 | Welsh | | D23/393 |
| 4,635,617 | A * | 1/1987 | Simonsen | | 126/299 E |
| 4,649,808 | A * | 3/1987 | Ward et al. | | 454/17 |
| 4,856,419 | A * | 8/1989 | Imai | | 454/49 |
| 4,869,236 | A | 9/1989 | Blough | | |
| 5,318,607 | A | 6/1994 | Malloy et al. | | |
| D353,884 | S * | 12/1994 | Wilkison et al. | | D23/365 |
| D354,805 | S * | 1/1995 | Bowen et al. | | D23/403 |
| D362,060 | S * | 9/1995 | Jacobs | | D23/403 |
| D372,968 | S * | 8/1996 | White | | D23/386 |
| 6,010,558 | A | 1/2000 | Ackland | | |
| 6,143,047 | A | 11/2000 | Jodoin et al. | | |
| D439,641 | S * | 3/2001 | Dumas | | D23/403 |
| 6,391,074 | B1 | 5/2002 | McCrary | | |
| 6,468,323 | B1 | 10/2002 | Chwala | | |
| 6,648,937 | B1 * | 11/2003 | Nguyen et al. | | 55/421 |
| 6,676,723 | B2 | 1/2004 | Chwala | | |
| 6,716,099 | B2 | 4/2004 | Pfleiderer et al. | | |
| 7,037,359 | B1 | 5/2006 | McCauley | | |

FIG. 1 is a perspective view of a multi-sump grease containment apparatus according to a first embodiment showing my new design;
FIG. 2 is a rear elevation view thereof;
FIG. 3 is a front elevation view thereof;
FIG. 4 is a top plan view thereof;
FIG. 5 is a bottom plan view thereof;
FIG. 6 is a right side elevation view thereof;
FIG. 7 is a left side elevation view thereof;
FIG. 8 is a perspective view of a multi-sump grease containment apparatus according to a second embodiment showing my new design;
FIG. 9 is a rear elevation view thereof;
FIG. 10 is a front elevation view thereof;
FIG. 11 is a top plan view thereof;
FIG. 12 is a bottom plan view thereof;
FIG. 13 is a right side elevation view thereof; and,
FIG. 14 is a left side elevation view thereof.
All features shown in broken lines are not part of the design sought to be patented.

1 Claim, 12 Drawing Sheets



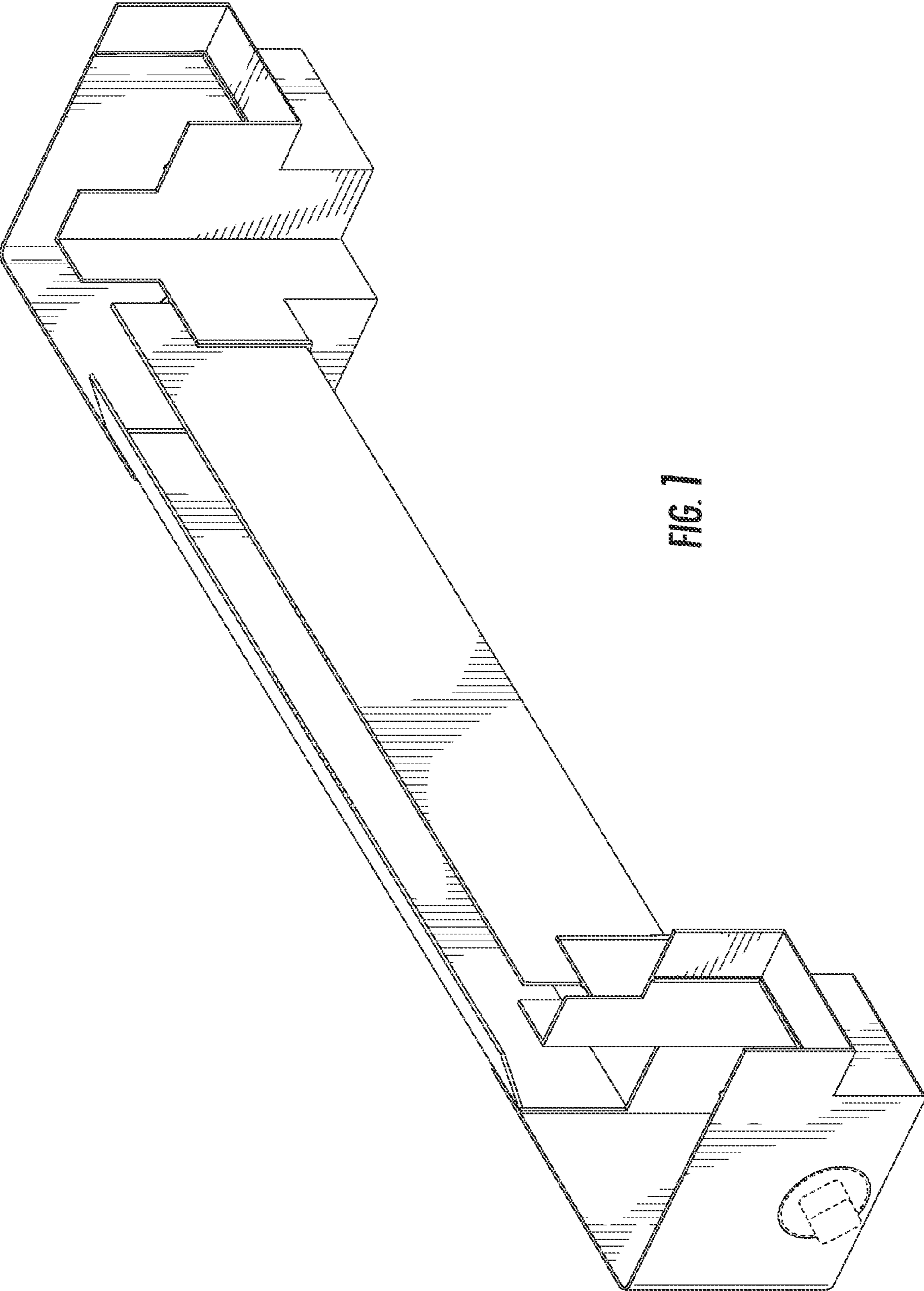


FIG. 1

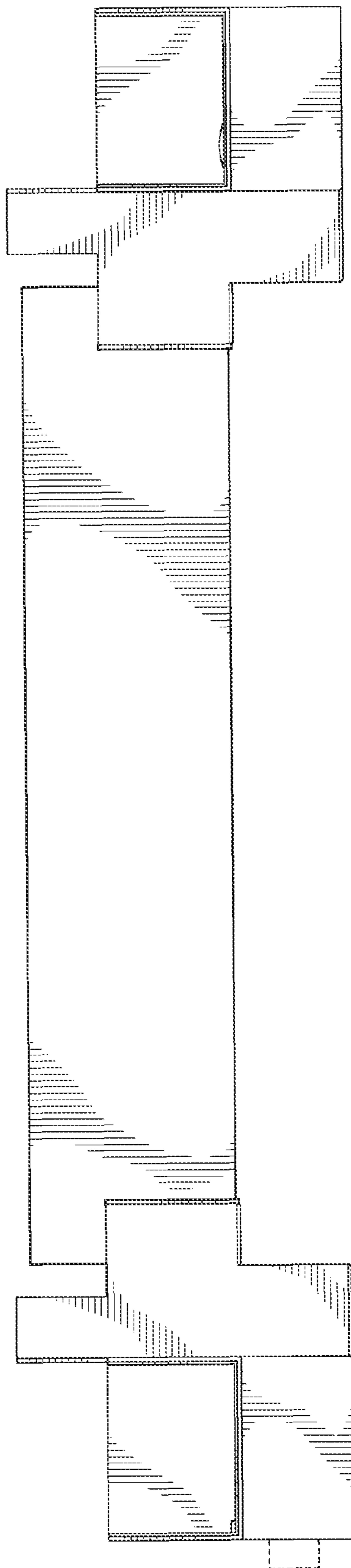


FIG. 2

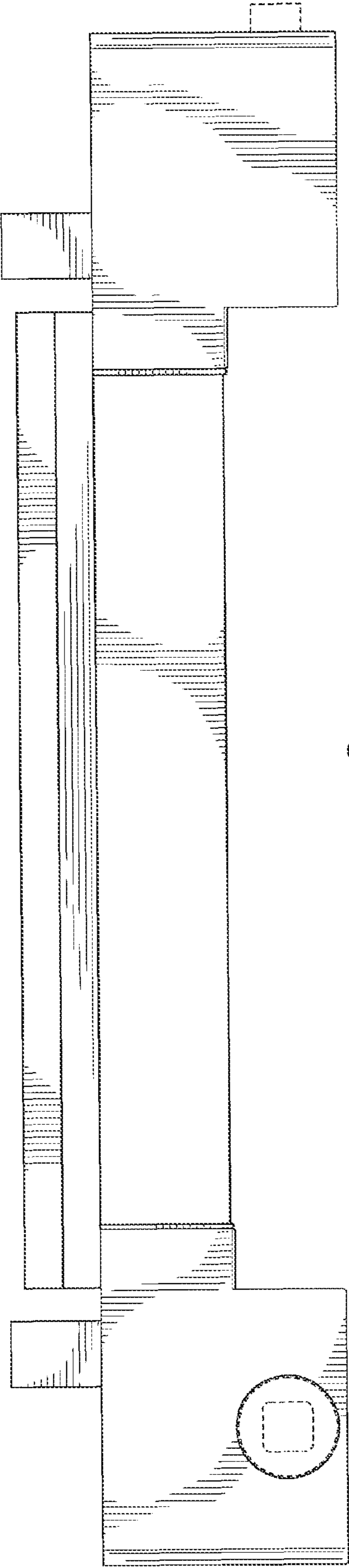


FIG. 3

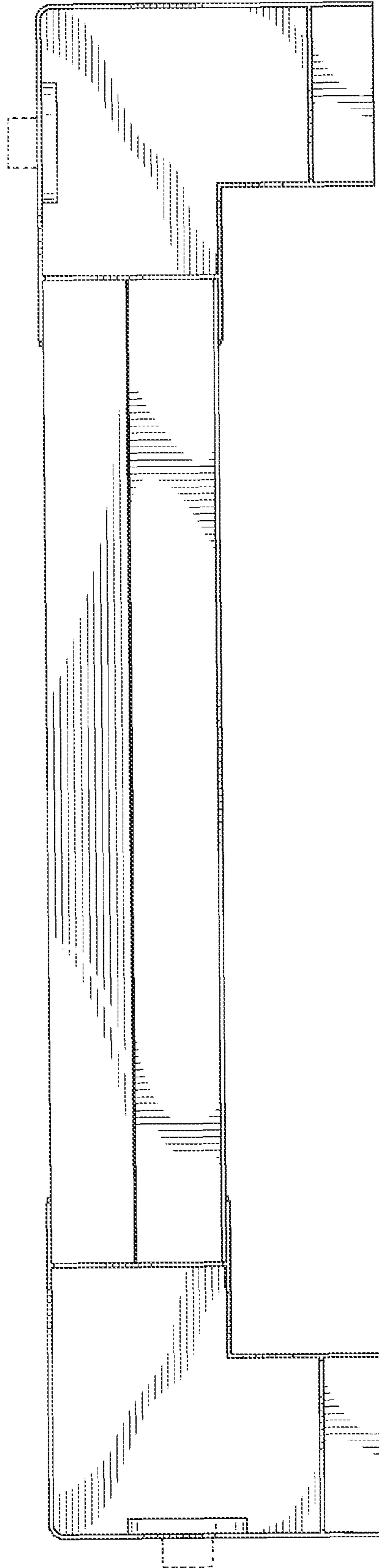


FIG. 4

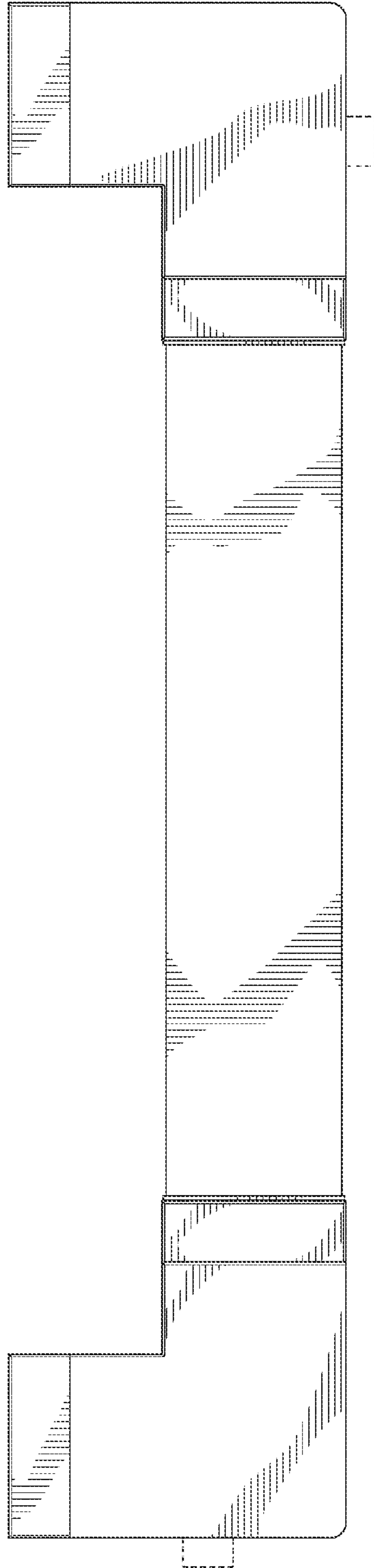


FIG. 5

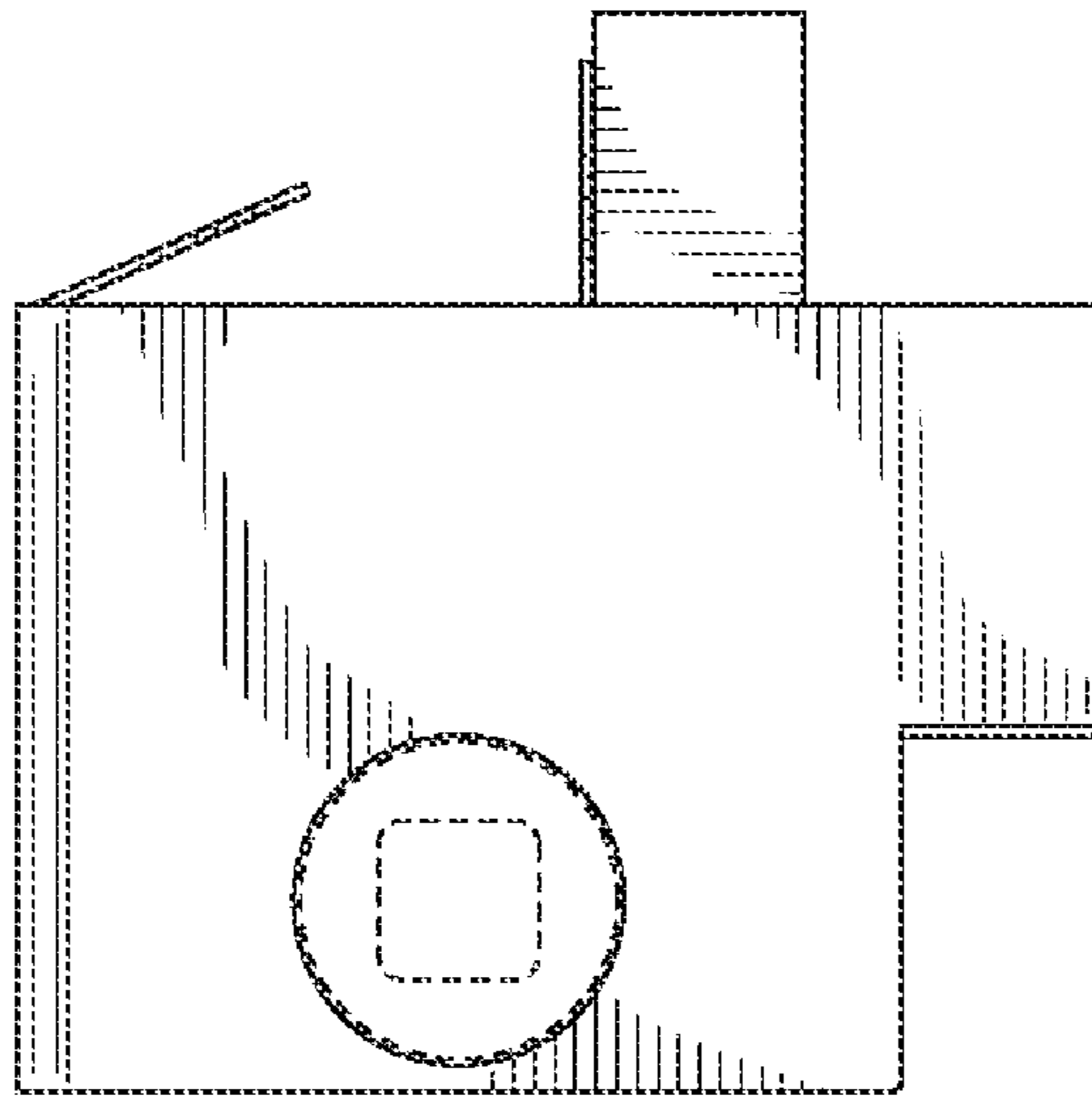


FIG. 6

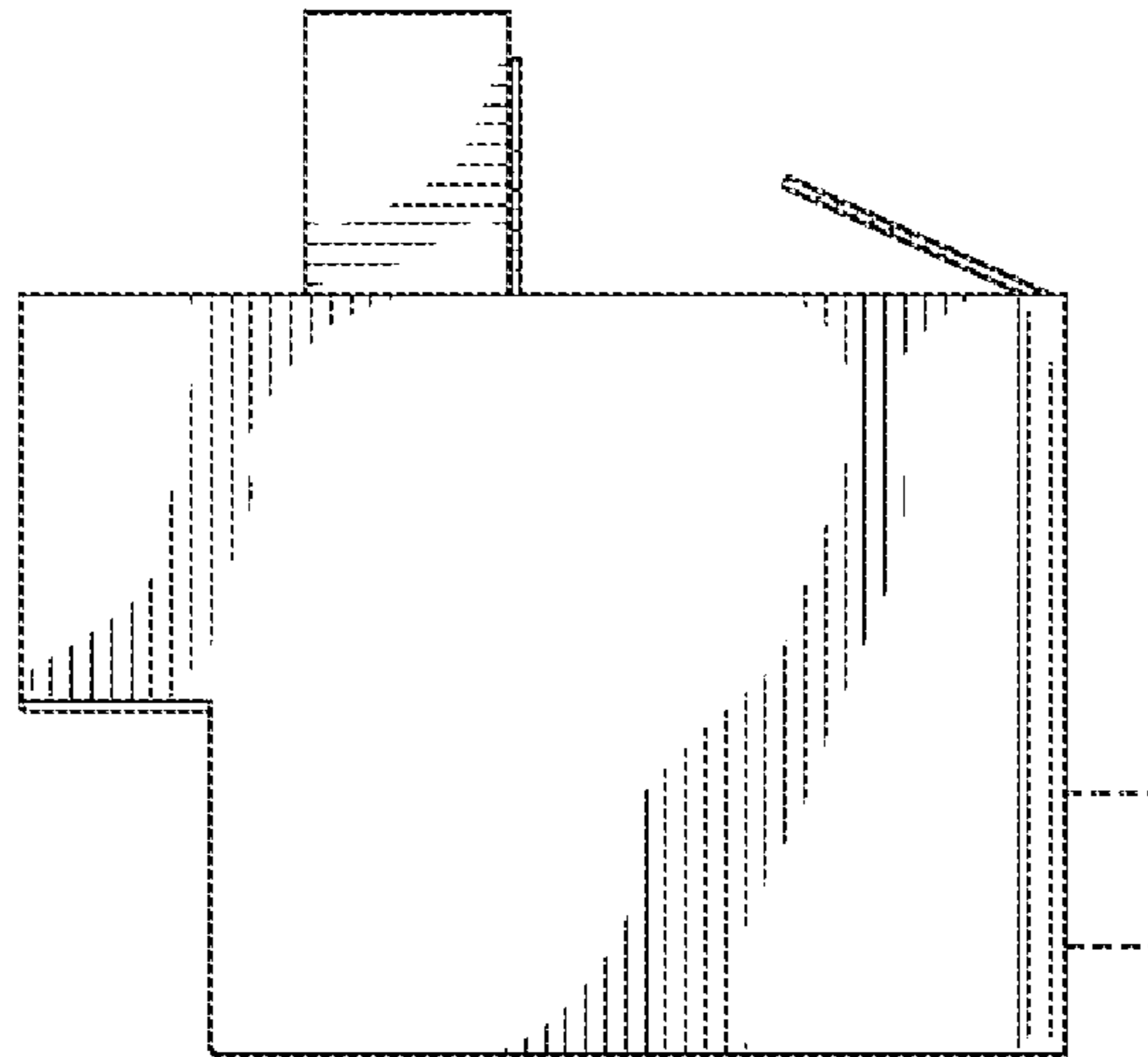


FIG. 7

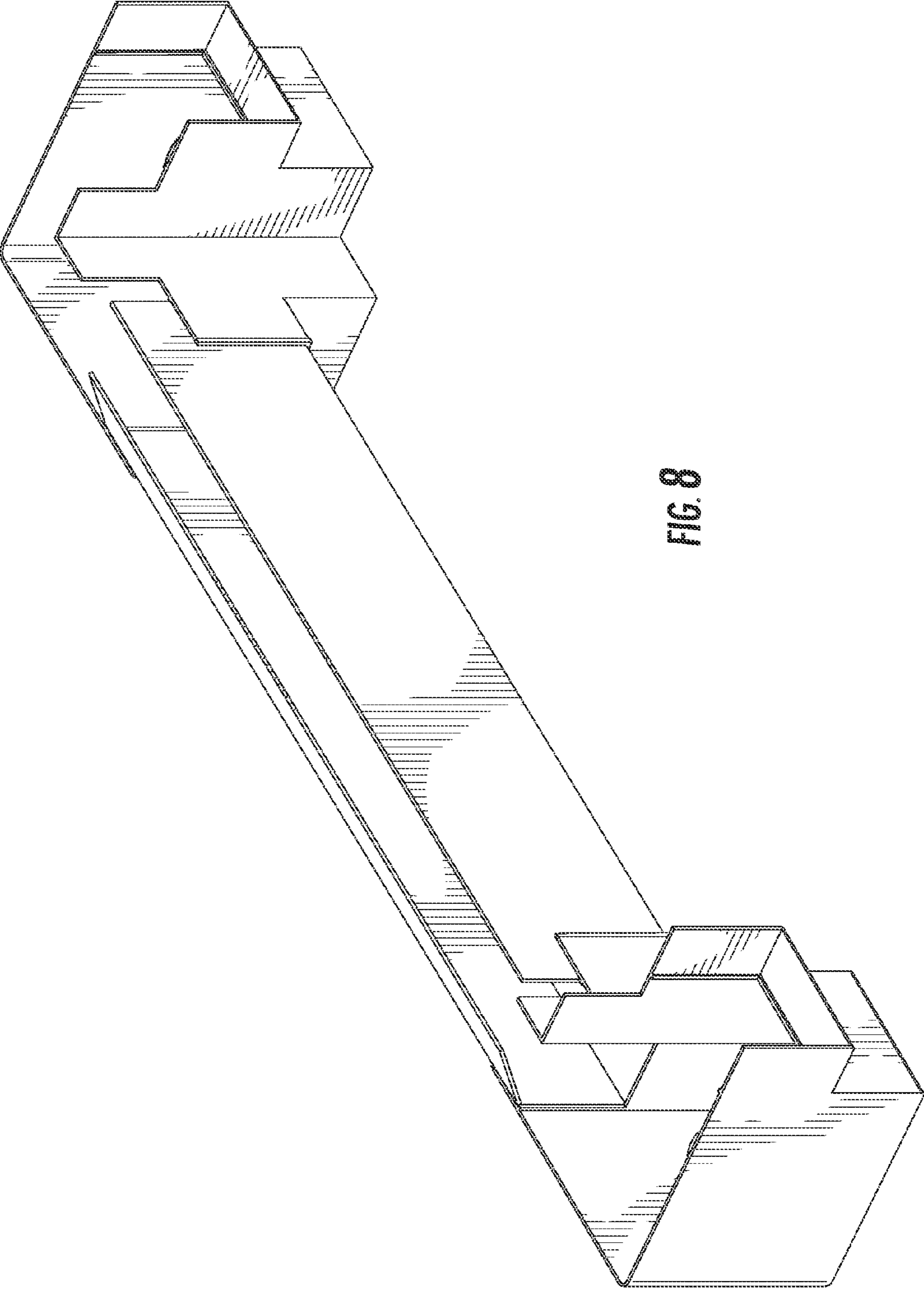


FIG. 8

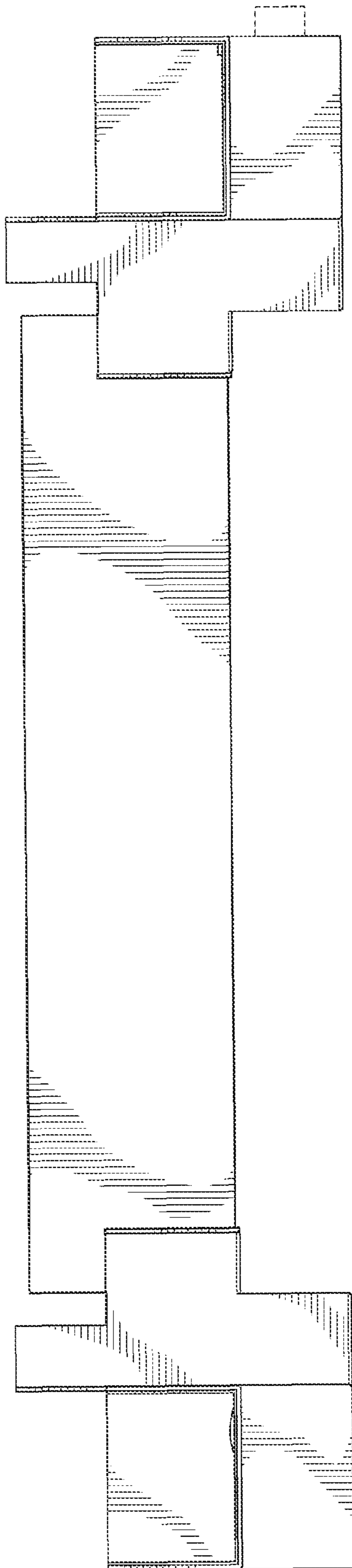


FIG. 9

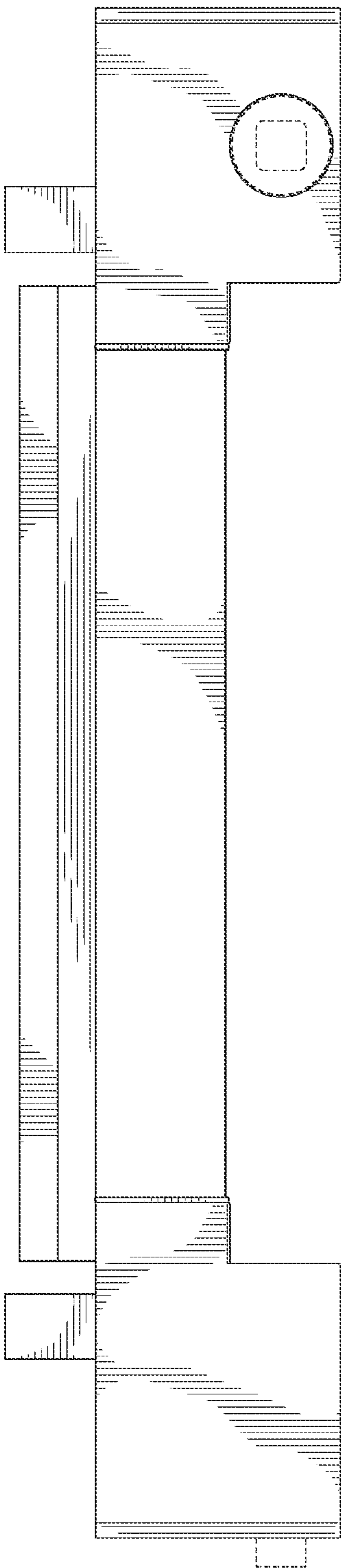


FIG. 10

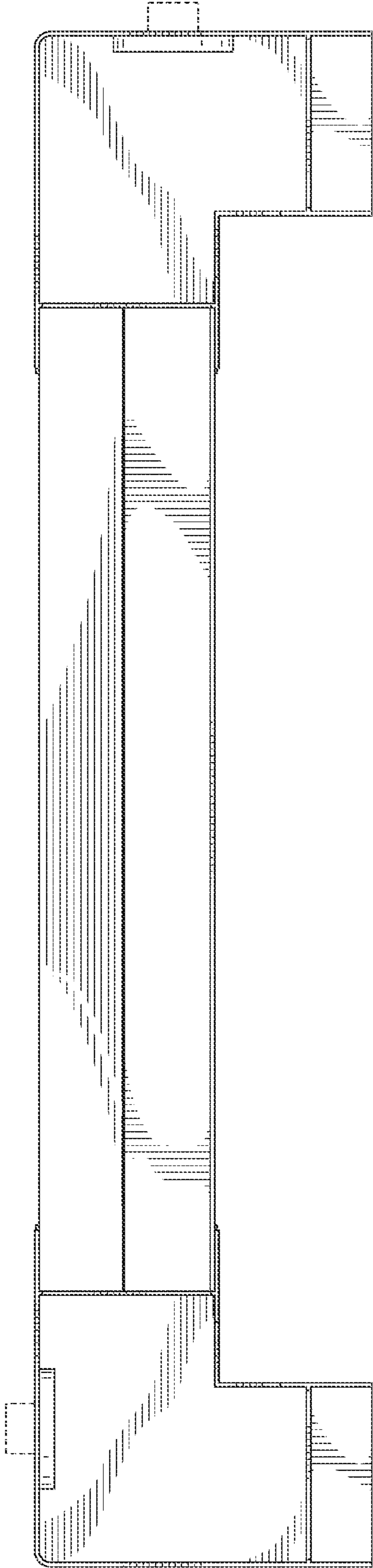


FIG. 11

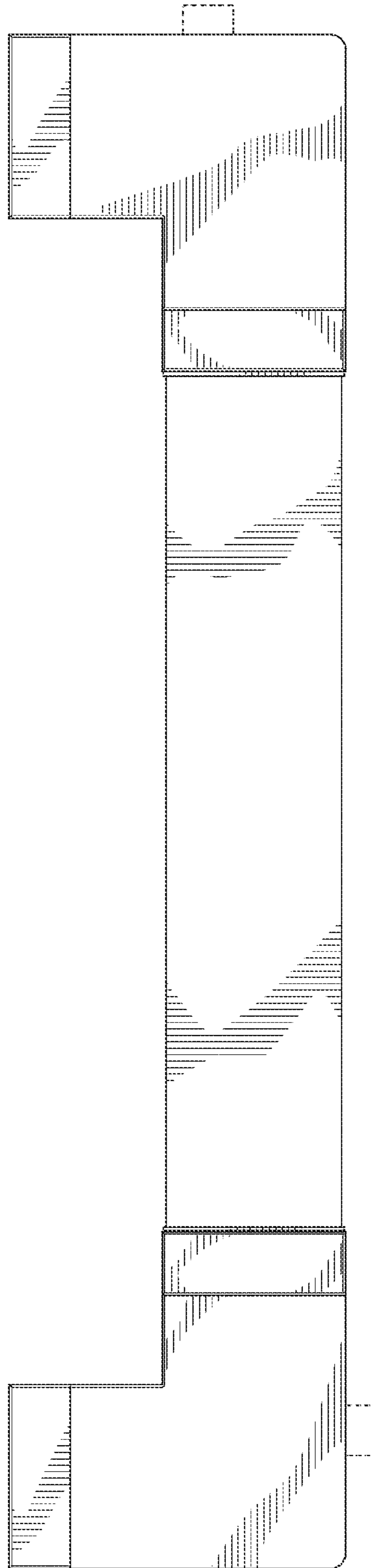


FIG. 12

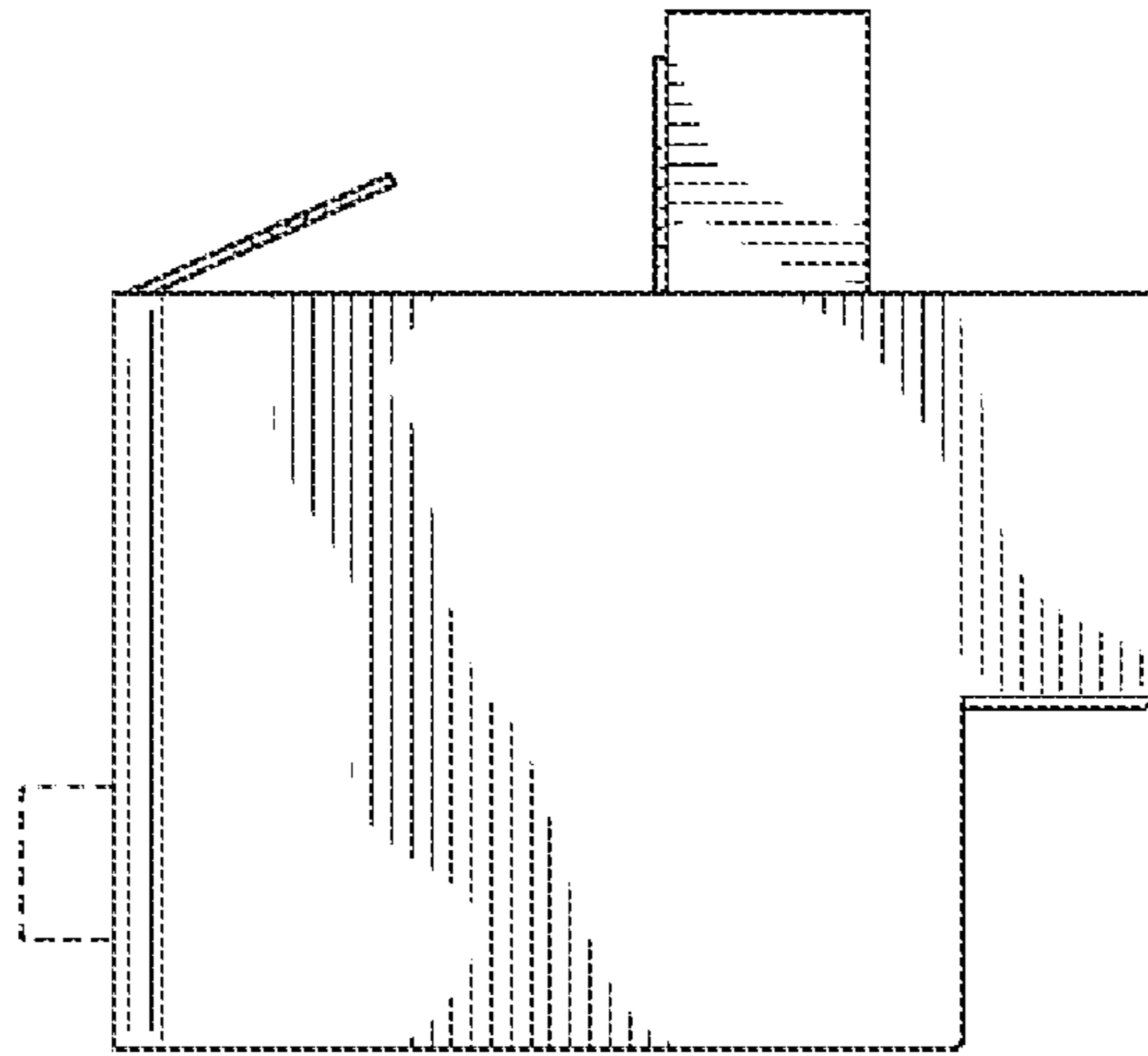


FIG. 13

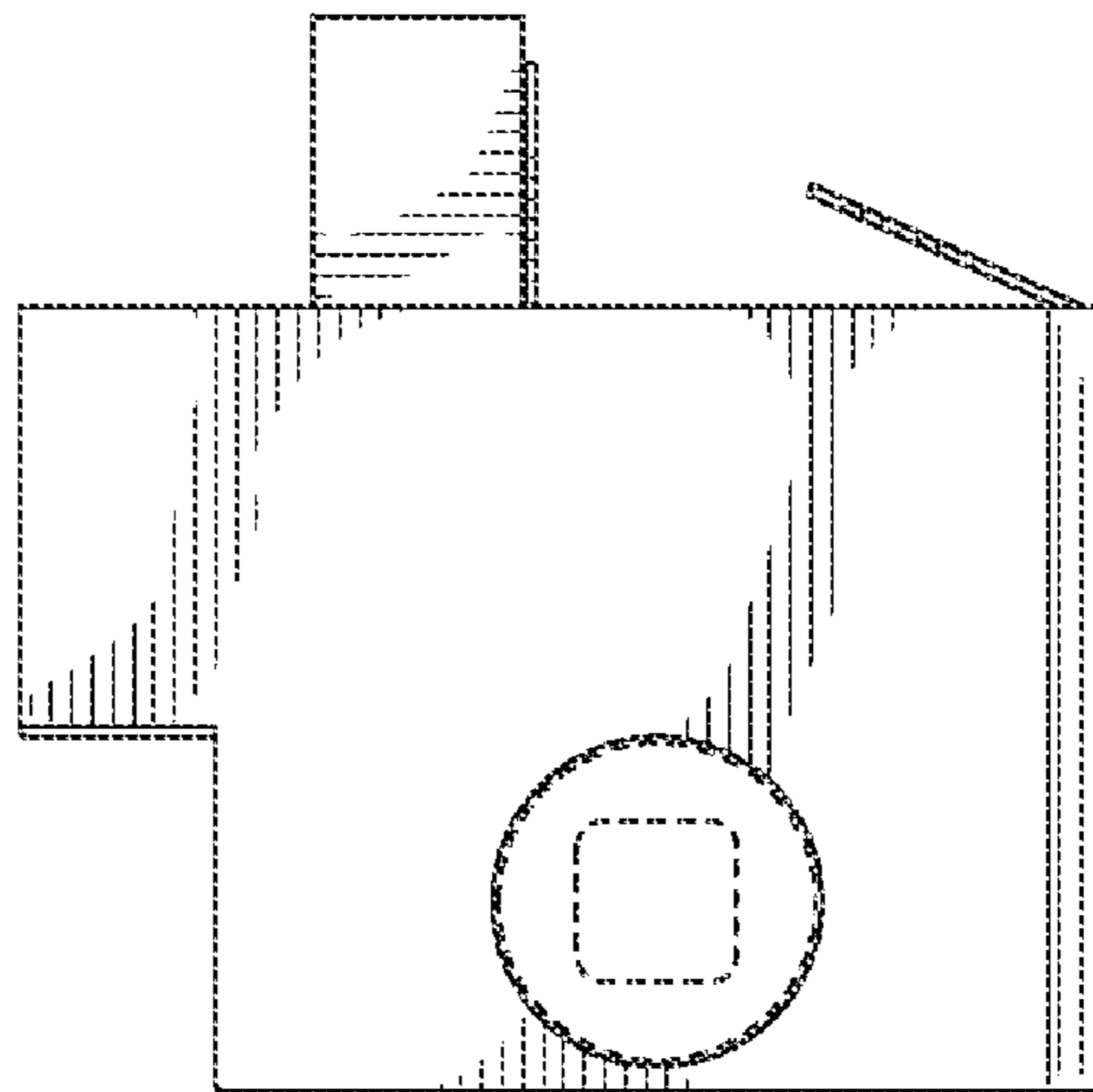


FIG. 14