



US00D640781S

(12) **United States Design Patent**  
**Brandenburg**

(10) **Patent No.:** **US D640,781 S**

(45) **Date of Patent:** **\*\* Jun. 28, 2011**

(54) **AIR FRESHENER DEVICE**

(75) Inventor: **Kyle Brandenburg**, Middletown, DE (US)

(73) Assignee: **Hayloft Enterprises, Inc.**, Wilmington, DE (US)

(\*\*) Term: **14 Years**

(21) Appl. No.: **29/381,099**

(22) Filed: **Dec. 15, 2010**

(51) **LOC (9) Cl.** ..... **28-99**

(52) **U.S. Cl.** ..... **D23/366**

(58) **Field of Classification Search** ..... D23/355-369;  
D28/5, 6; 261/DIG. 17, DIG. 42, DIG. 65,  
261/DIG. 88, DIG. 89; 392/386, 390-395;  
239/34, 35, 44-47, 50, 53, 56, 60, 145, 326

See application file for complete search history.

(56) **References Cited**

U.S. PATENT DOCUMENTS

D97,356 S	10/1935	Robinson	
D110,981 S	8/1938	Robinson	
D112,286 S	11/1938	Krapf	
D117,150 S	10/1939	Robinson	
D119,010 S	2/1940	Robinson	
D181,257 S	10/1957	Katzman	
4,106,698 A *	8/1978	Lin	239/34
D411,002 S *	6/1999	Farmer	D23/366
D415,268 S *	10/1999	Farmer	D23/366
D437,041 S *	1/2001	Eisenbraun	D23/366
D546,433 S	7/2007	Wu	
D549,812 S	8/2007	Fellows et al.	
D551,333 S	9/2007	Wu	
D555,778 S	11/2007	Fellows et al.	

D561,319 S	2/2008	Weggelaar
D582,026 S	12/2008	Weggelaar
D594,953 S	6/2009	King et al.
D604,825 S	11/2009	Brandenburg

\* cited by examiner

*Primary Examiner* — Sandra Snapp

(74) *Attorney, Agent, or Firm* — Connolly Bove Lodge & Hutz LLP

(57) **CLAIM**

The ornamental design for an air freshener device, as shown and described.

**DESCRIPTION**

FIG. 1 is a right front perspective view of a first embodiment of an air freshener device showing the invention;

FIG. 2 is a left bottom perspective view of the air freshener device of FIG. 1;

FIG. 3 is a top plan view of the air freshener device of FIG. 1;

FIG. 4 is a right side elevational view the air freshener device of FIG. 1;

FIG. 5 is a front elevational view of the air freshener device of FIG. 1;

FIG. 6 is a rear elevational view of the air freshener device of FIG. 1;

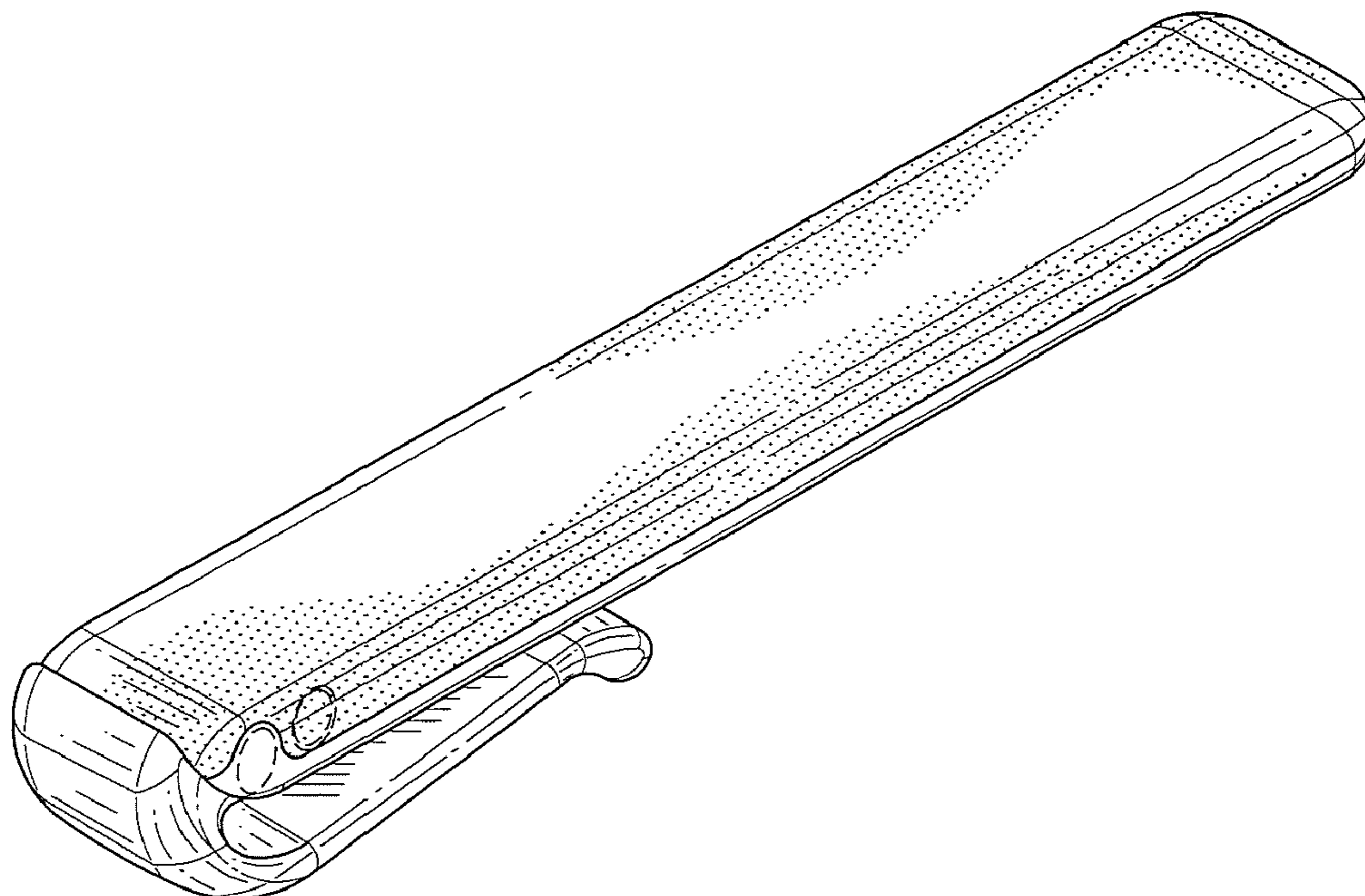
FIG. 7 is a bottom plan view of the air freshener device of FIG. 1;

FIG. 8 is a left side elevational view of the air freshener device of FIG. 1; and,

FIG. 9 is a right front perspective view of the air freshener device of FIG. 1 installed within a motor vehicle air conditioning vent.

The elements shown in phantom lines are for illustrative purposes only and form no part of the claimed invention.

**1 Claim, 3 Drawing Sheets**



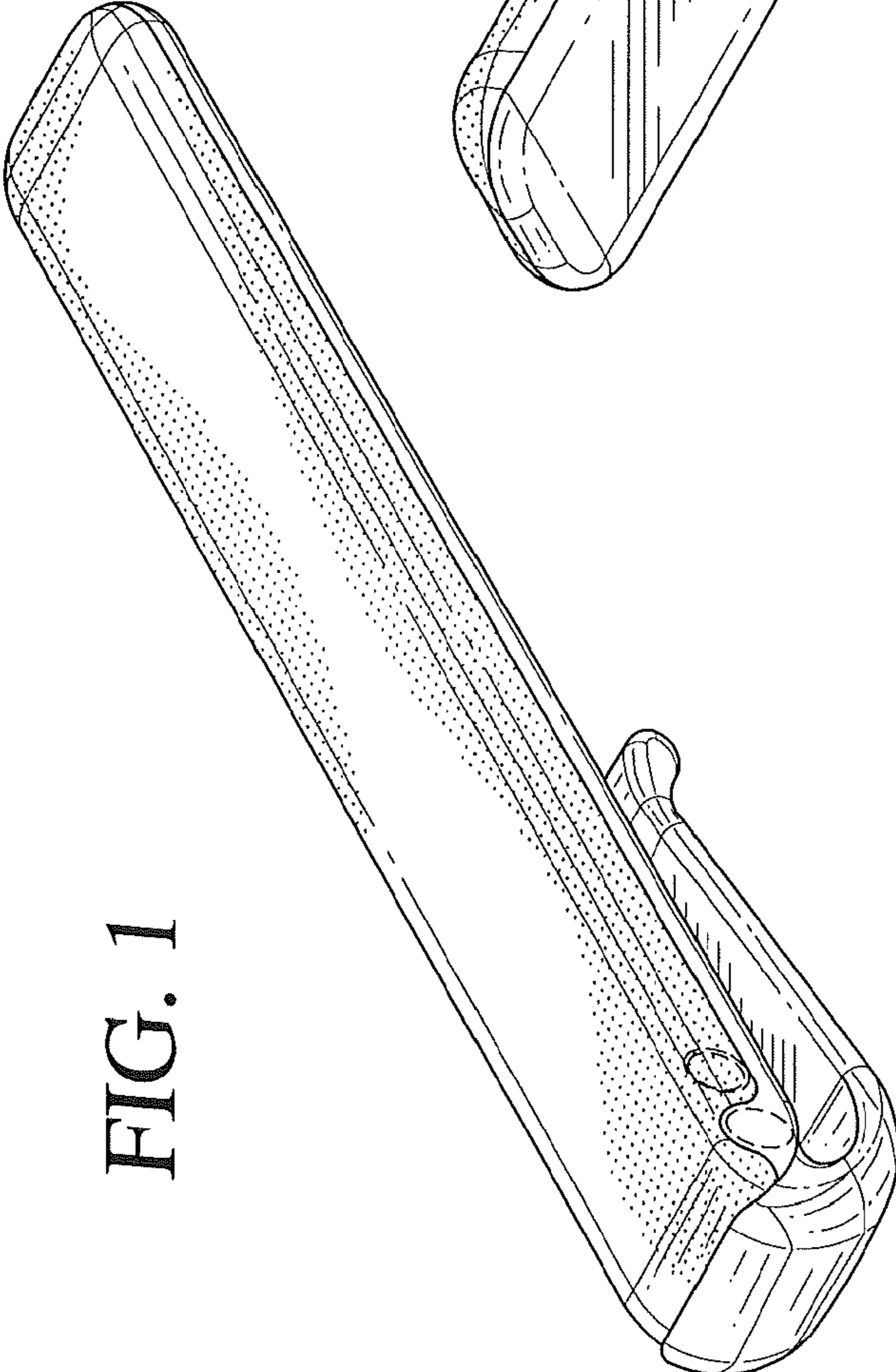


FIG. 1

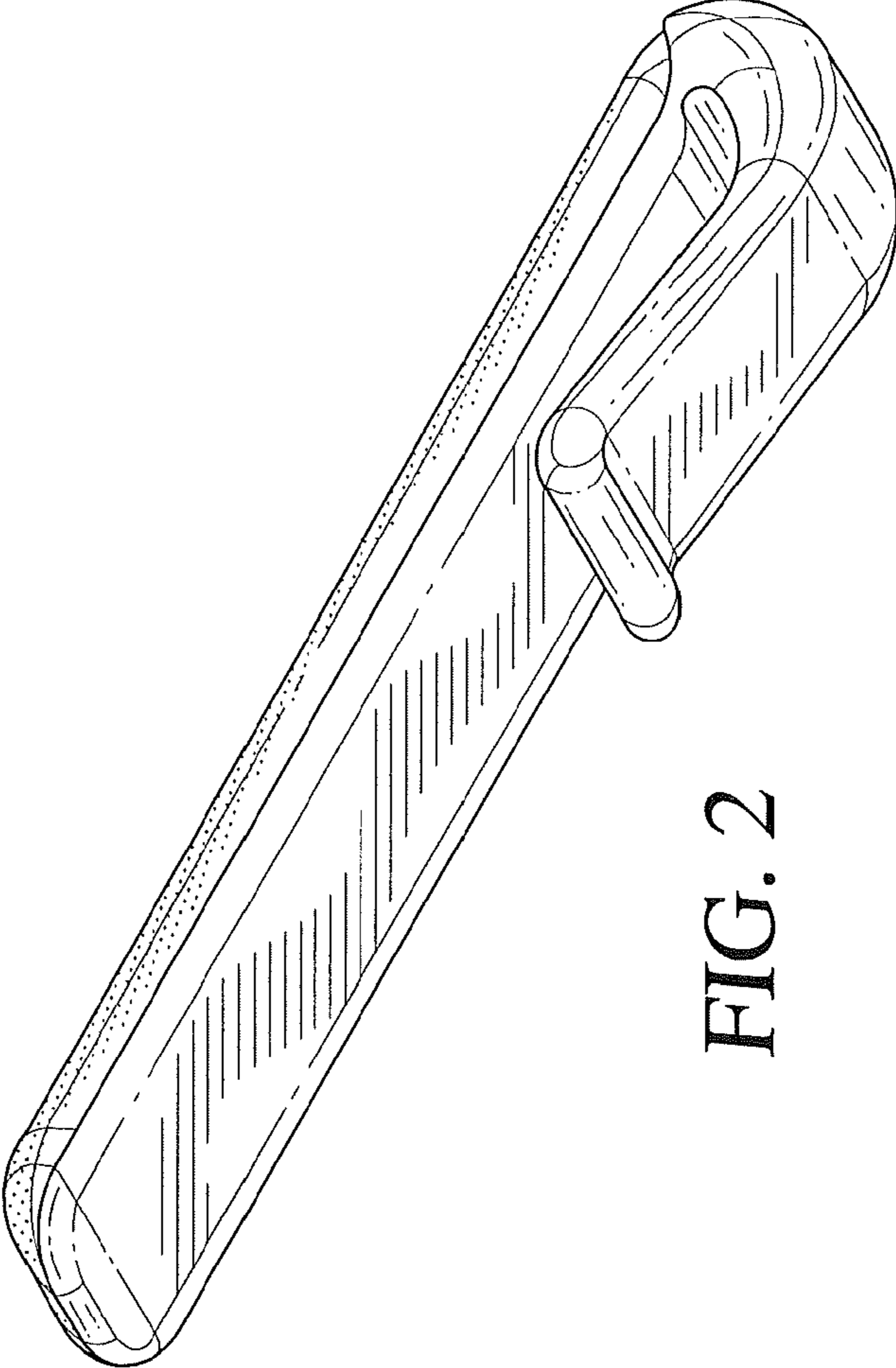


FIG. 2

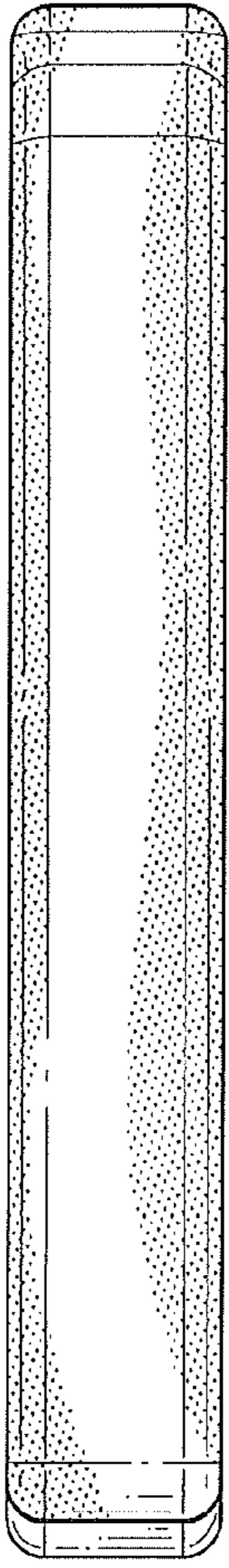


FIG. 3

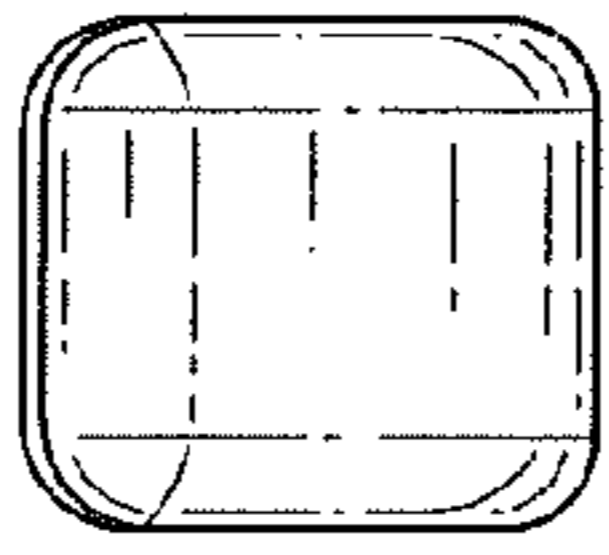


FIG. 5

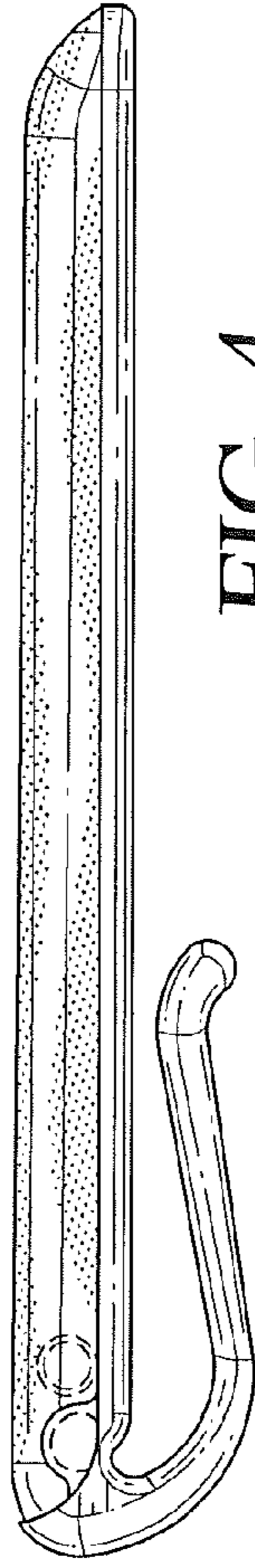


FIG. 4

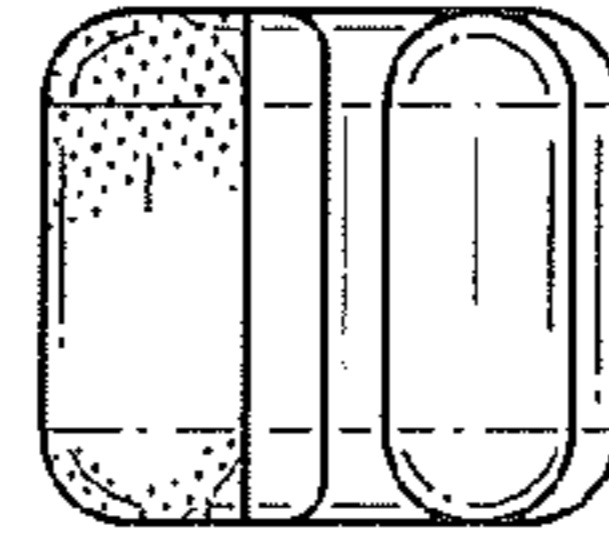


FIG. 6

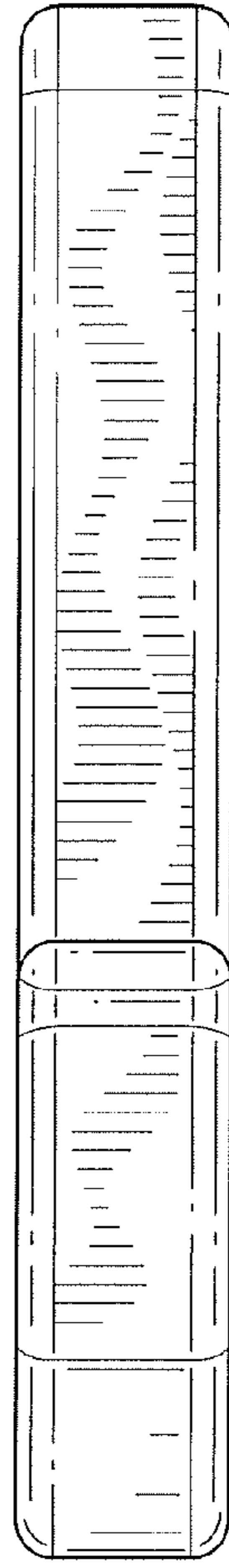


FIG. 7

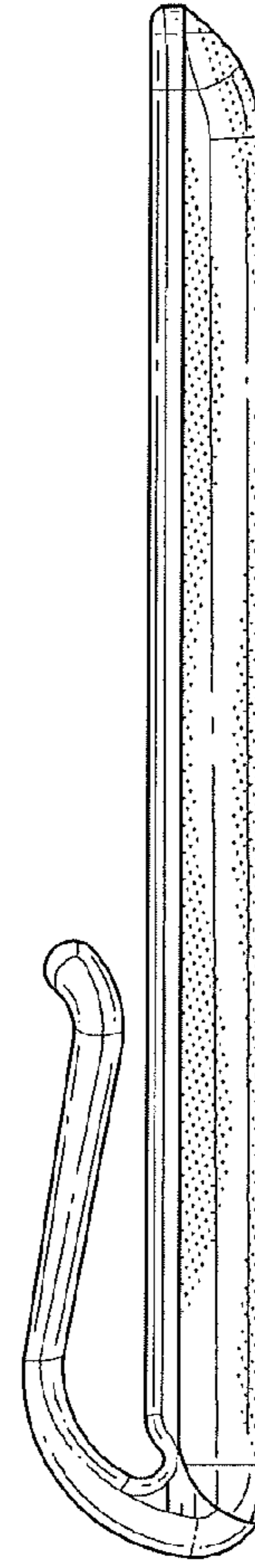


FIG. 8

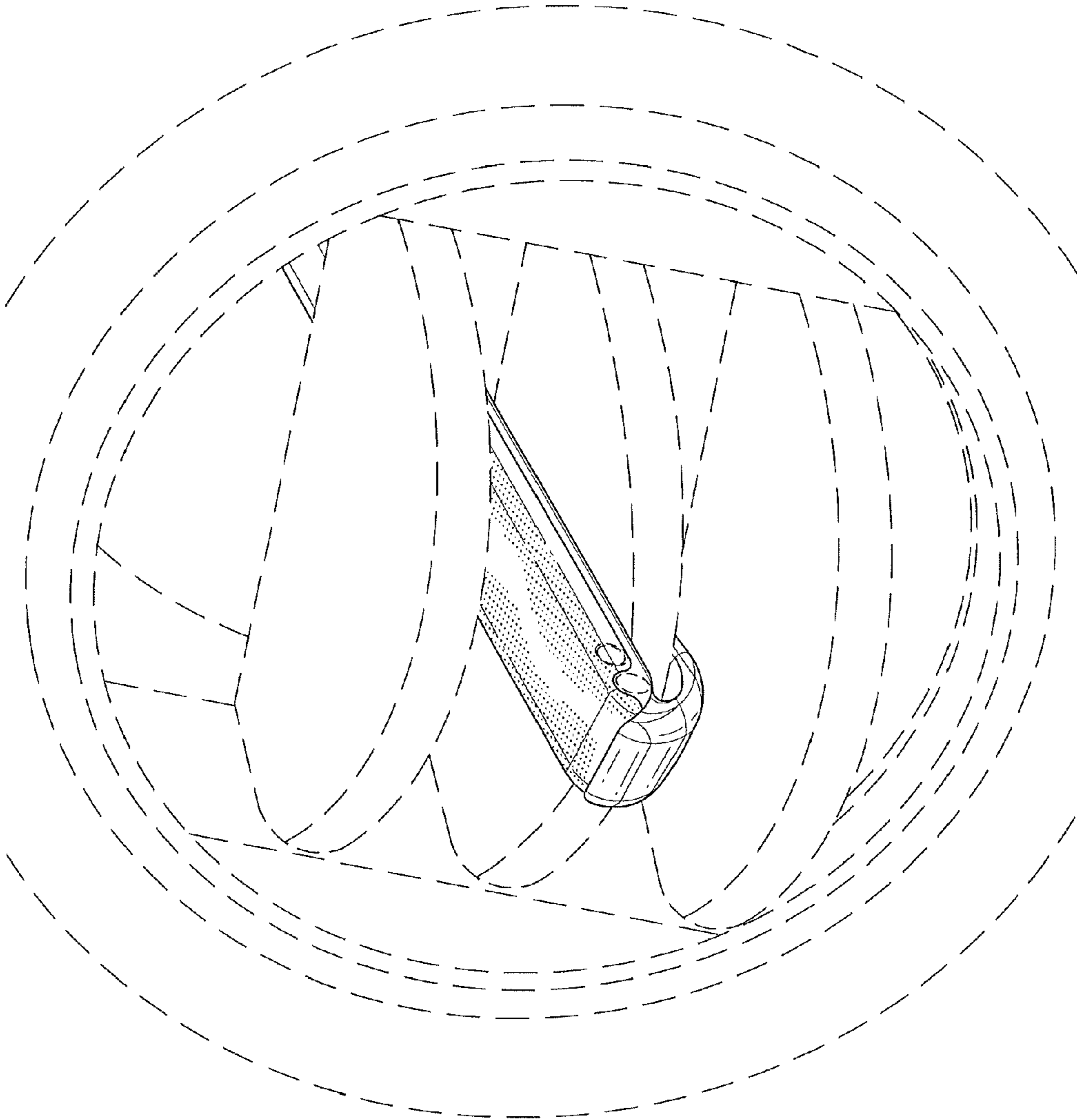


FIG. 9