



US00D640777S

(12) **United States Design Patent**
Heuberger

(10) **Patent No.:** **US D640,777 S**

(45) **Date of Patent:** **** Jun. 28, 2011**

(54) **SHORT TOILET BASE**

(75) Inventor: **Juerg Heuberger**, Laufen (CH)

(73) Assignee: **Keramik Holding Ag Laufen**, Laufen (CH)

(**) Term: **14 Years**

(21) Appl. No.: **29/372,042**

(22) Filed: **Oct. 7, 2010**

(30) **Foreign Application Priority Data**

Apr. 9, 2010 (WO) DM/073415

(51) **LOC (9) Cl.** **23-02**

(52) **U.S. Cl.** **D23/300**

(58) **Field of Classification Search** D23/295,
D23/299-301, 303, 309; 4/300, 329, 420,
4/443-444, DIG. 15

See application file for complete search history.

(56) **References Cited**

U.S. PATENT DOCUMENTS

D429,320 S * 8/2000 Reynolds D23/296

* cited by examiner

Primary Examiner — Clare H Heflin

(74) *Attorney, Agent, or Firm* — Brinks Hofer Gilson & Lione

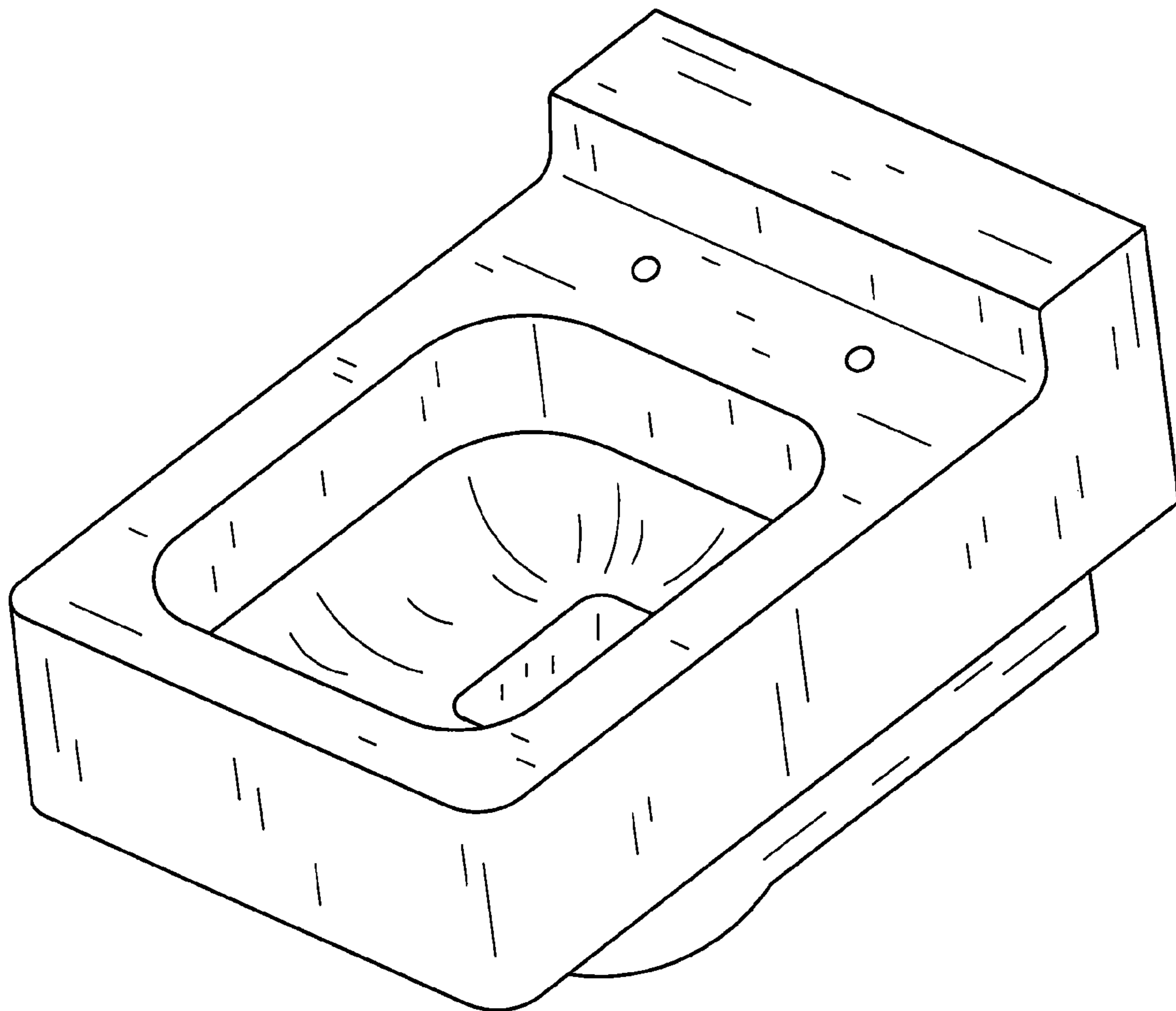
(57) **CLAIM**

The ornamental design for a short toilet base, as shown and described.

DESCRIPTION

FIG. 1 is a top view of the claimed design;
FIG. 2 is a bottom view of the claimed design;
FIG. 3 is a perspective view of the claimed design;
FIG. 4 is a front view of the claimed design;
FIG. 5 is a back view of the claimed design;
FIG. 6 is a left side view of the claimed design; and,
FIG. 7 is a right side view of the claimed design.

1 Claim, 7 Drawing Sheets



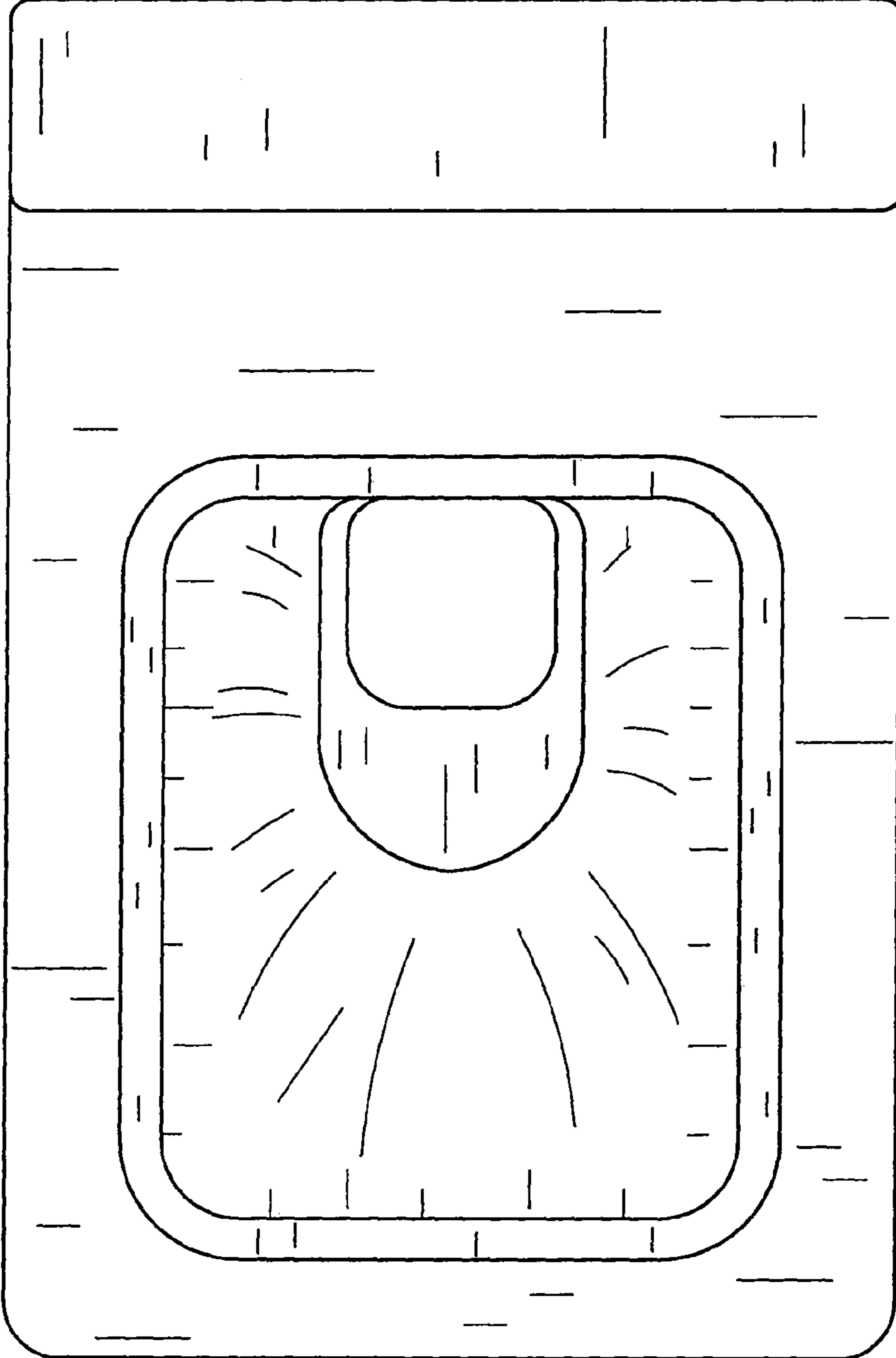


FIG. 1

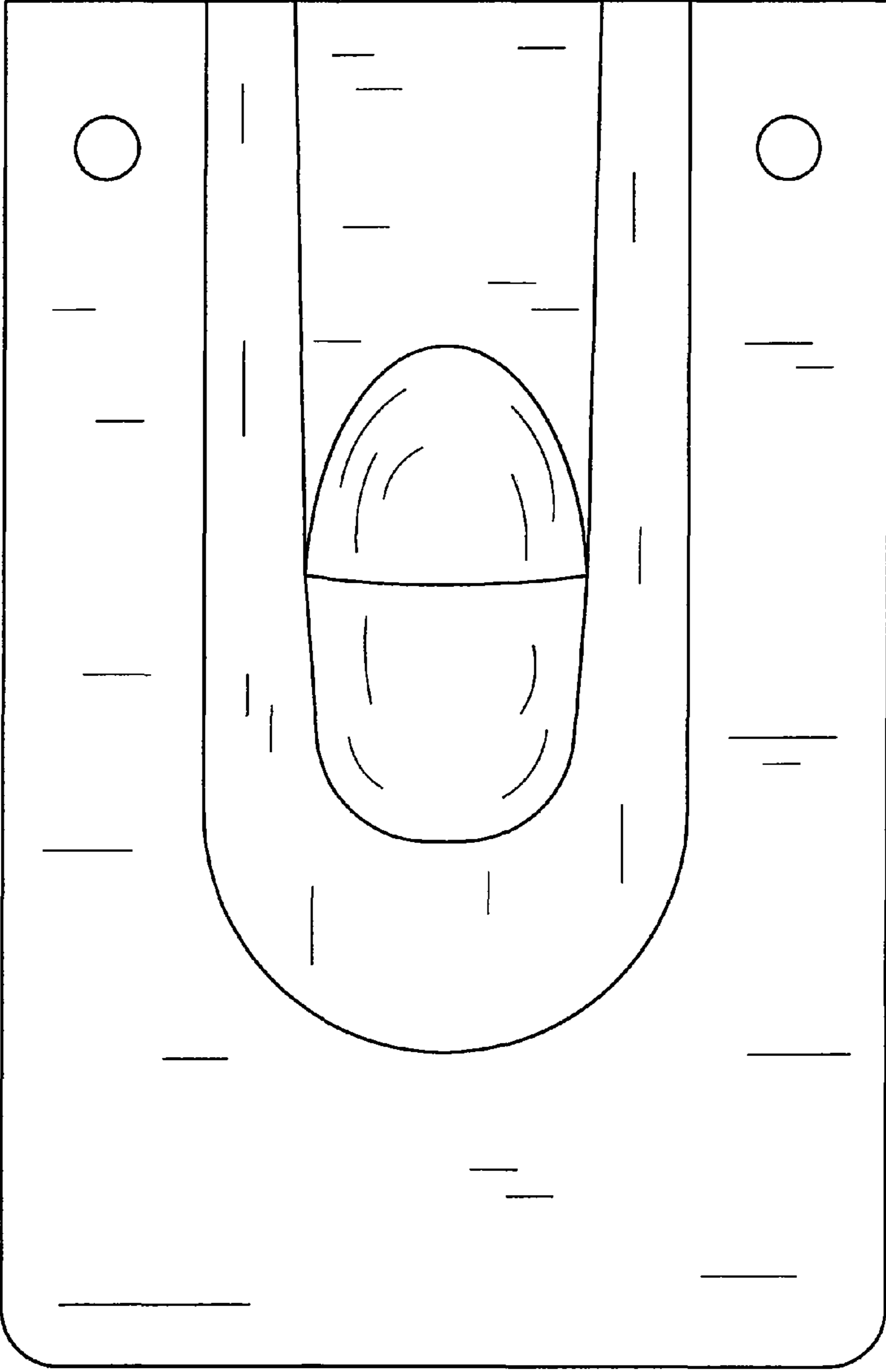


FIG. 2

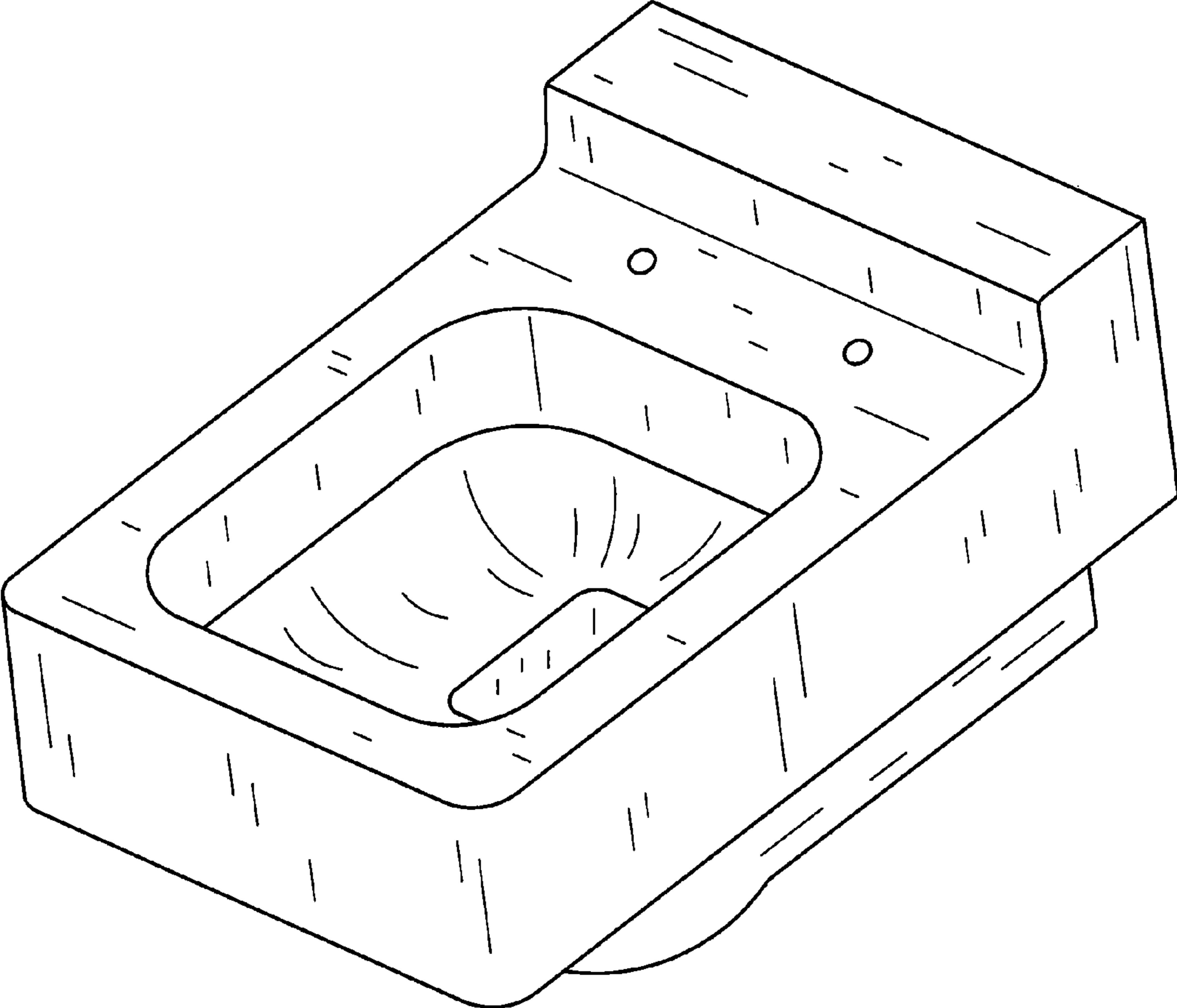


FIG. 3

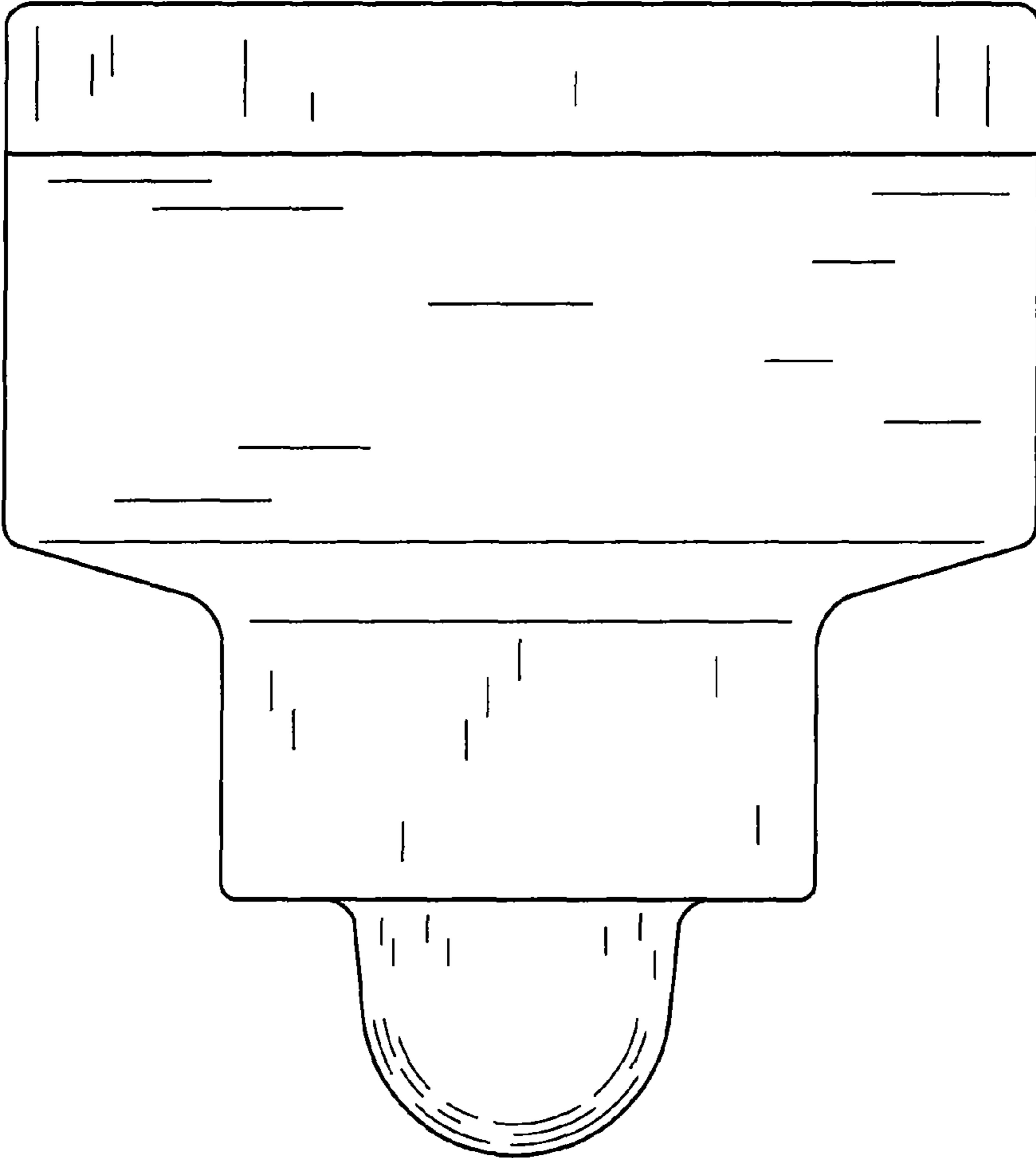


FIG. 4

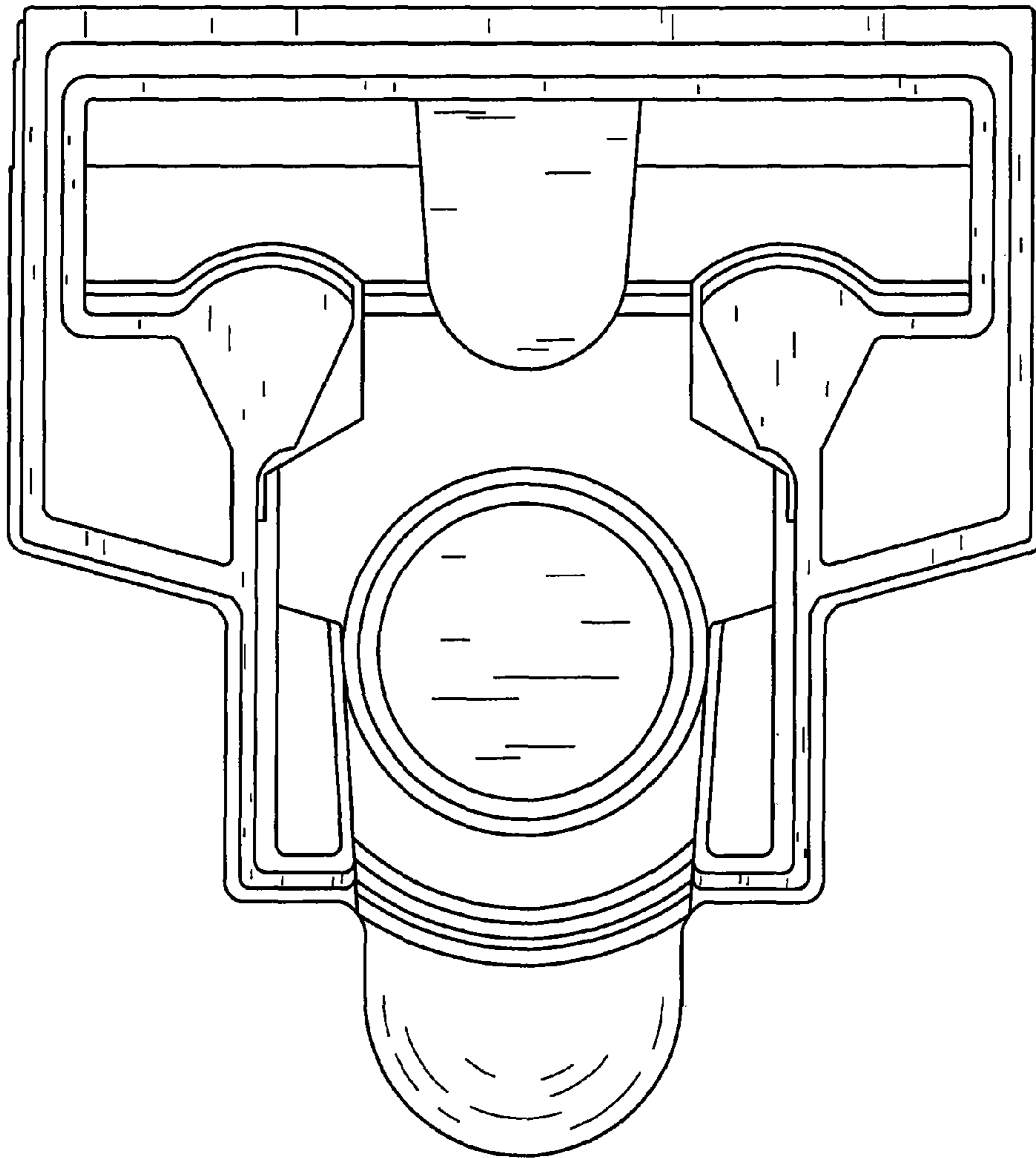


FIG. 5

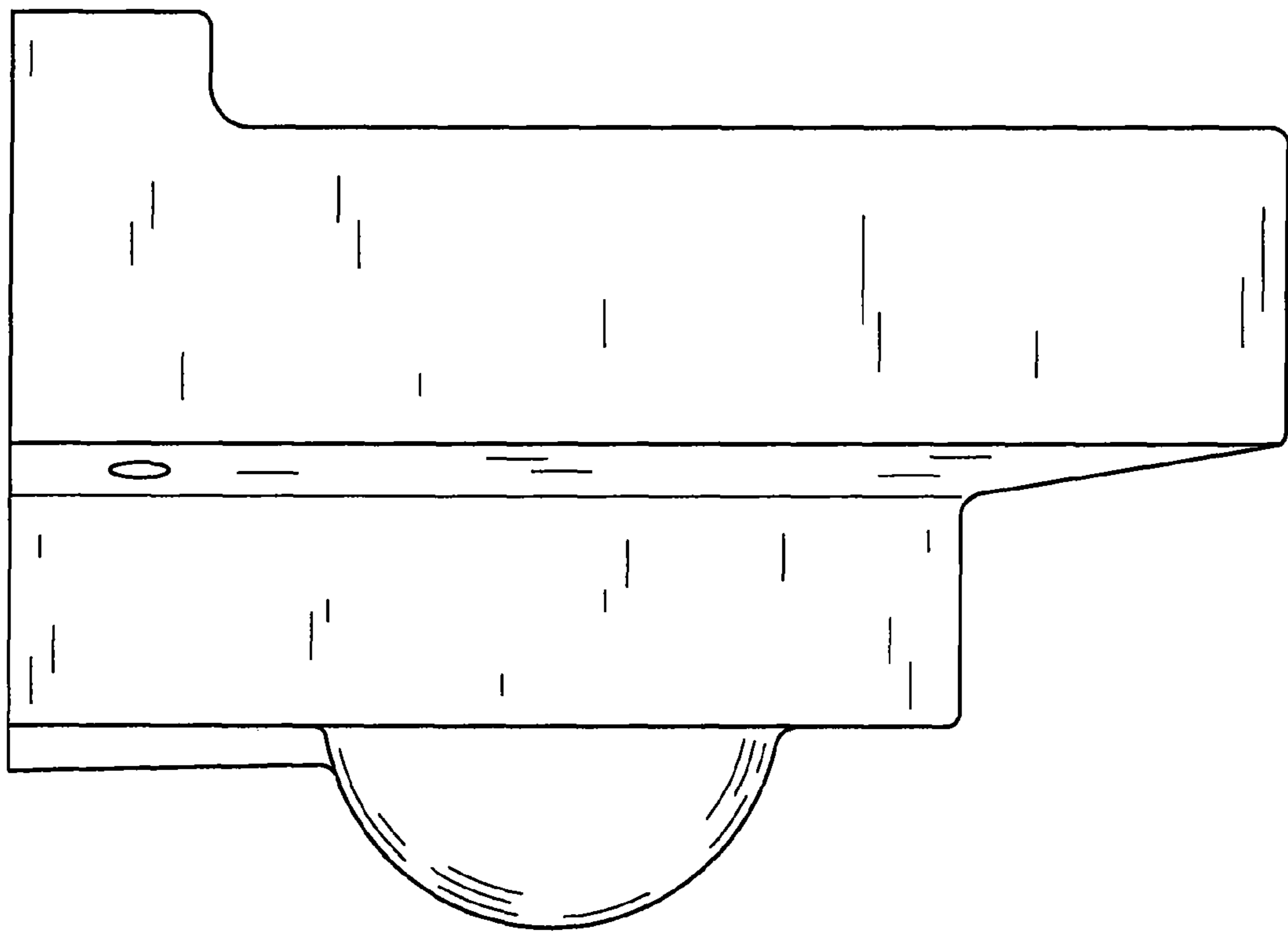


FIG. 6

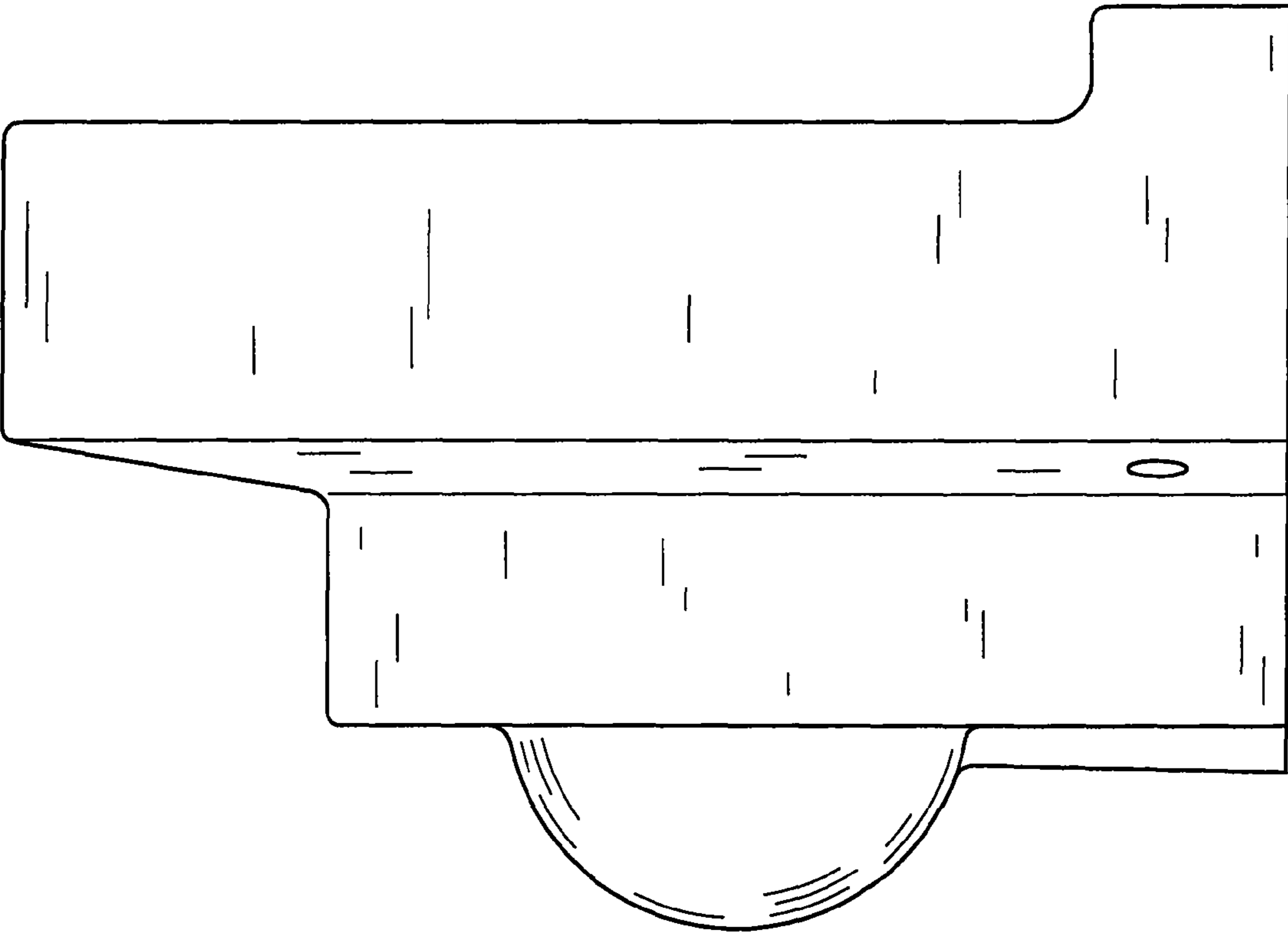


FIG. 7