



US00D640776S

(12) **United States Design Patent**
Flowers et al.

(10) **Patent No.:** **US D640,776 S**
(45) **Date of Patent:** **** Jun. 28, 2011**

(54) **WASH BASIN MIXER SPOUT**

(75) Inventors: **Paul Flowers**, Duesseldorf (DE); **Hans Lobermeier**, Menden (DE)

(73) Assignee: **Grohe AG**, Hemer (DE)

(**) Term: **14 Years**

(21) Appl. No.: **29/380,274**

(22) Filed: **Dec. 2, 2010**

(30) **Foreign Application Priority Data**

Jun. 2, 2010 (EM) 001714981-0013

(51) **LOC (9) Cl.** **23-01**

(52) **U.S. Cl.** **D23/255**

(58) **Field of Classification Search** D23/238,
D23/241-242, 255, 257, 249; 4/675-678;
137/801

See application file for complete search history.

(56) **References Cited**

U.S. PATENT DOCUMENTS

D550,812 S * 9/2007 Haug et al. D23/238
D607,089 S * 12/2009 Schoenherr et al. D23/257
D607,977 S * 1/2010 Lin D23/255
D608,420 S * 1/2010 Kohler et al. D23/255

D615,162 S * 5/2010 Pan D23/255
* cited by examiner

Primary Examiner — Robert A Delehanty

(74) *Attorney, Agent, or Firm* — Muncy, Geissler, Olds & Lowe, PLLC

(57) **CLAIM**

The ornamental design for a wash basin mixer spout, as shown and described.

DESCRIPTION

FIG. 1 is a left side elevational view of a wash basin mixer spout according to the present invention.

FIG. 2 is a right side elevational view of the wash basin mixer spout of FIG. 1.

FIG. 3 is a top plan view of the wash basin mixer spout of FIG. 1.

FIG. 4 is a bottom plan view of the wash basin mixer spout of FIG. 1.

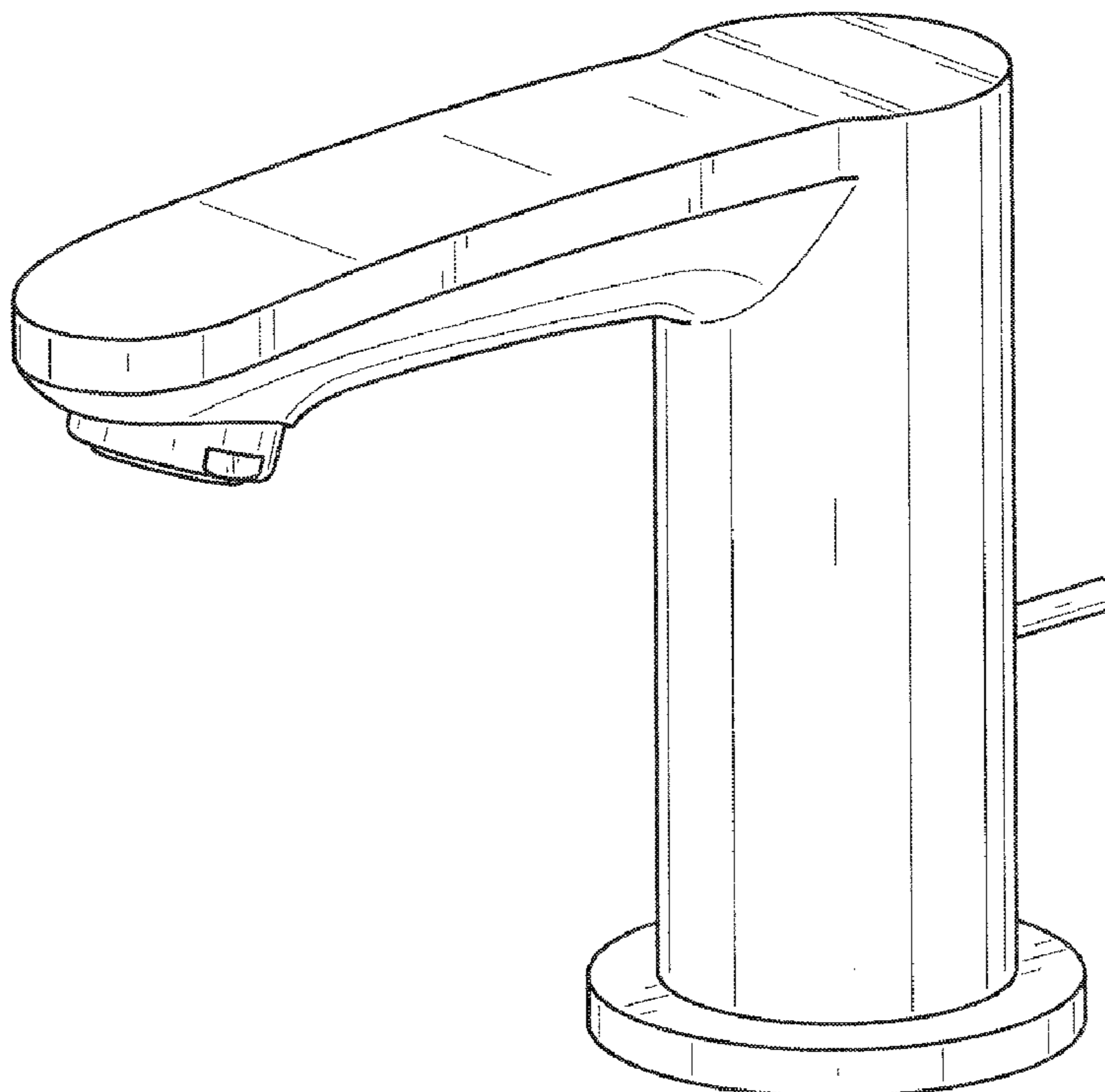
FIG. 5 is a front elevational view of the wash basin mixer spout of FIG. 1.

FIG. 6 is a rear elevational view of the wash basin mixer spout of FIG. 1; and,

FIG. 7 is a three quarter view of the wash basin mixer spout of FIG. 1.

The dashed lines illustrate environment that does not form a part of the present invention, and no claim is made to the material illustrated with dashed lines.

1 Claim, 5 Drawing Sheets



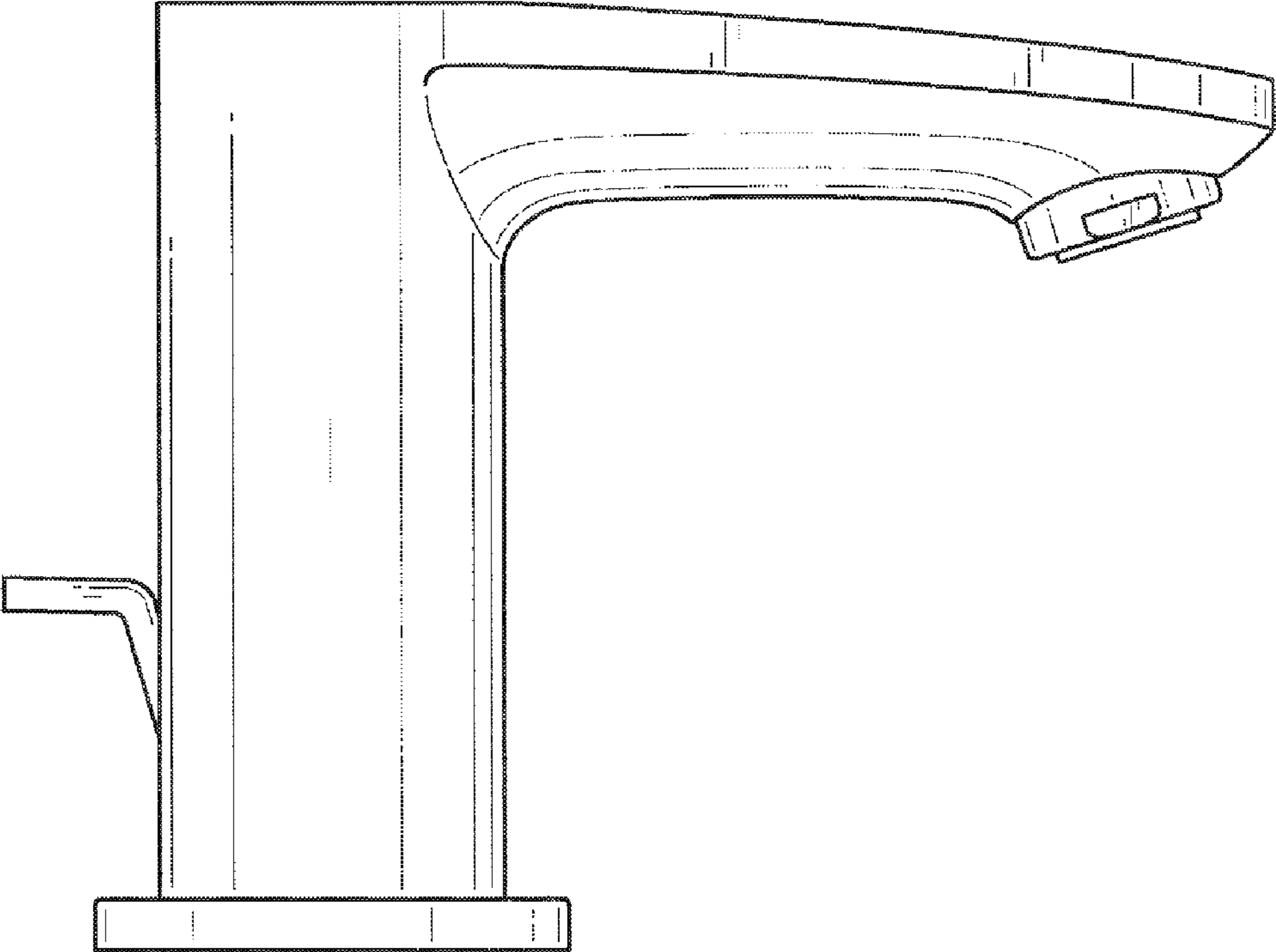


FIG. 1

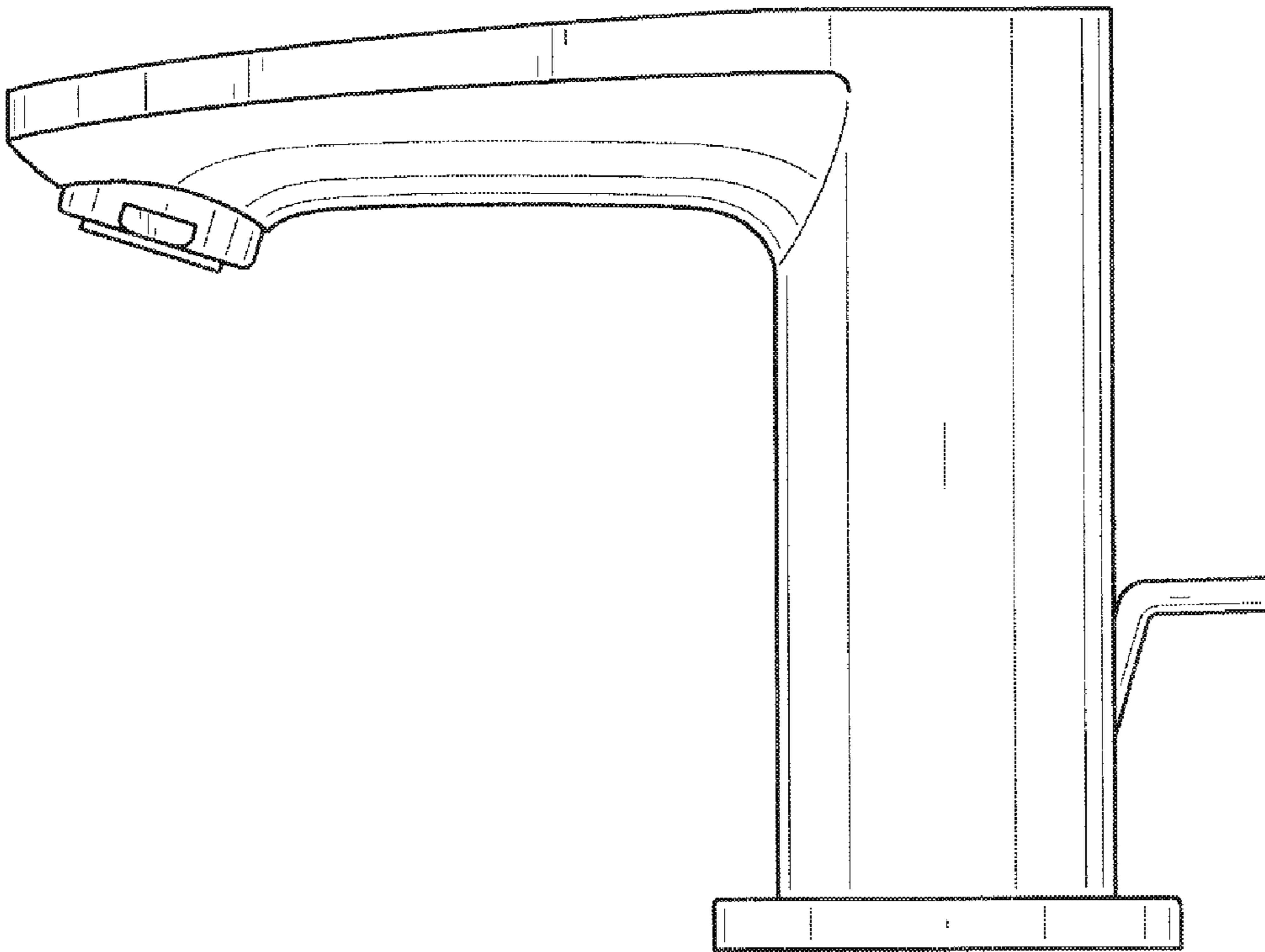


FIG. 2

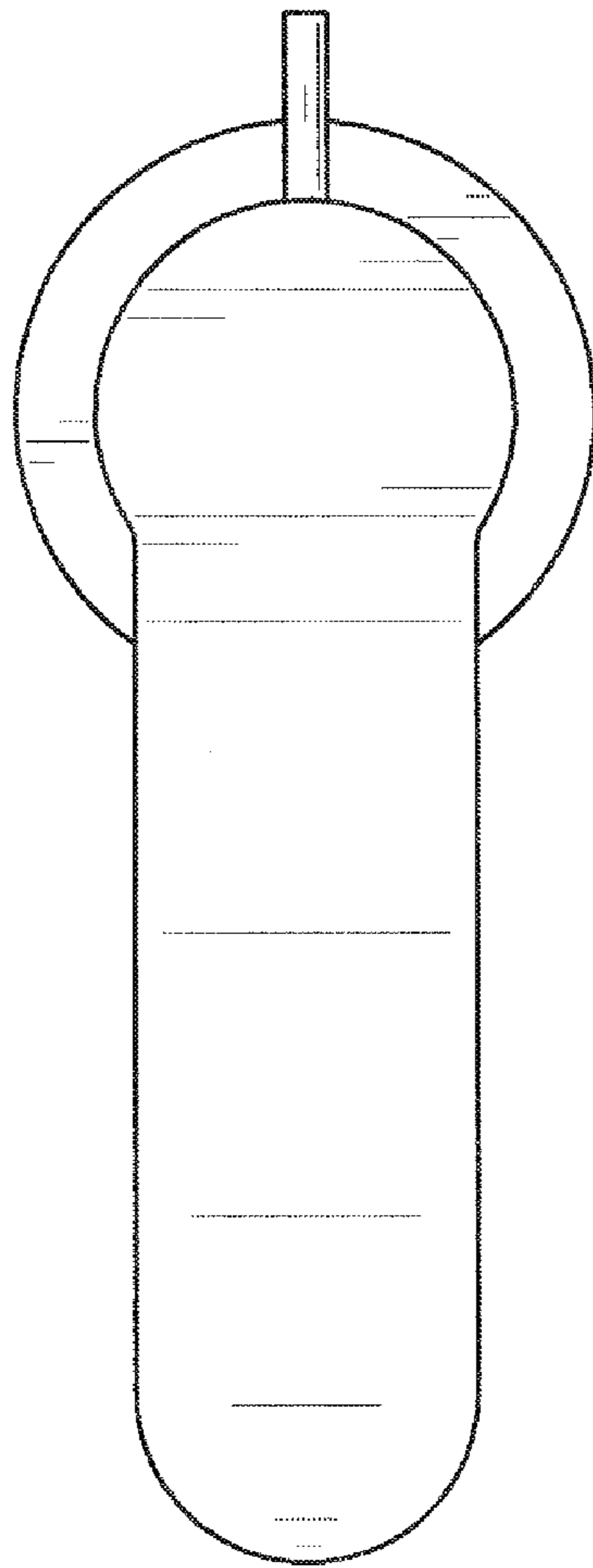


FIG. 3

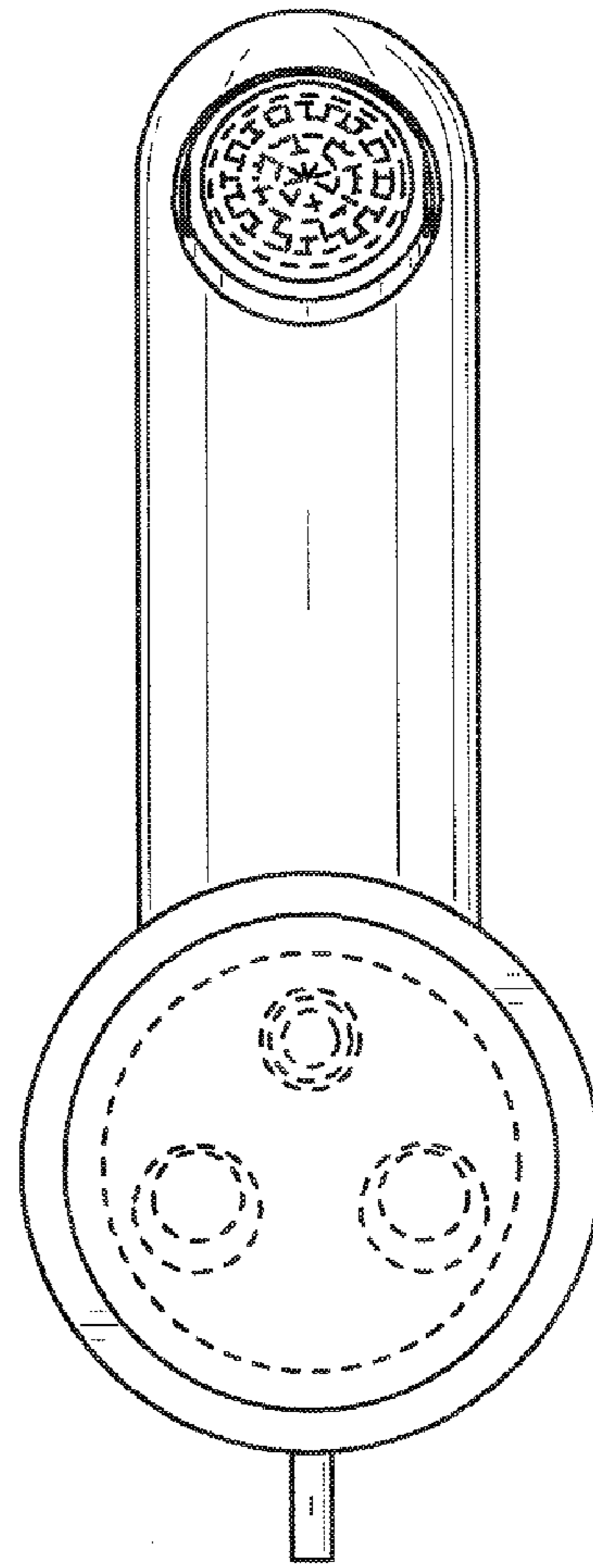


FIG. 4

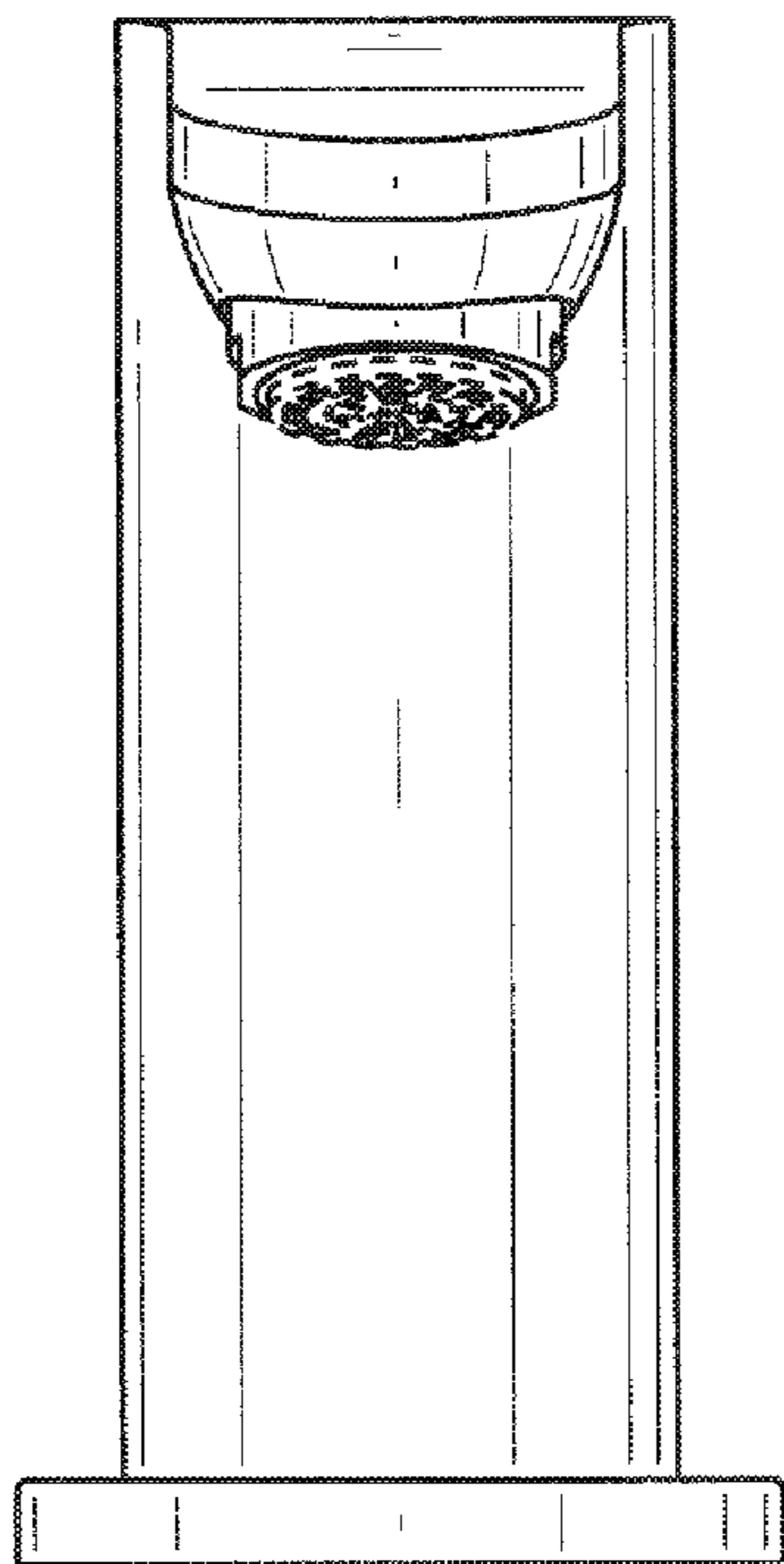


FIG. 5

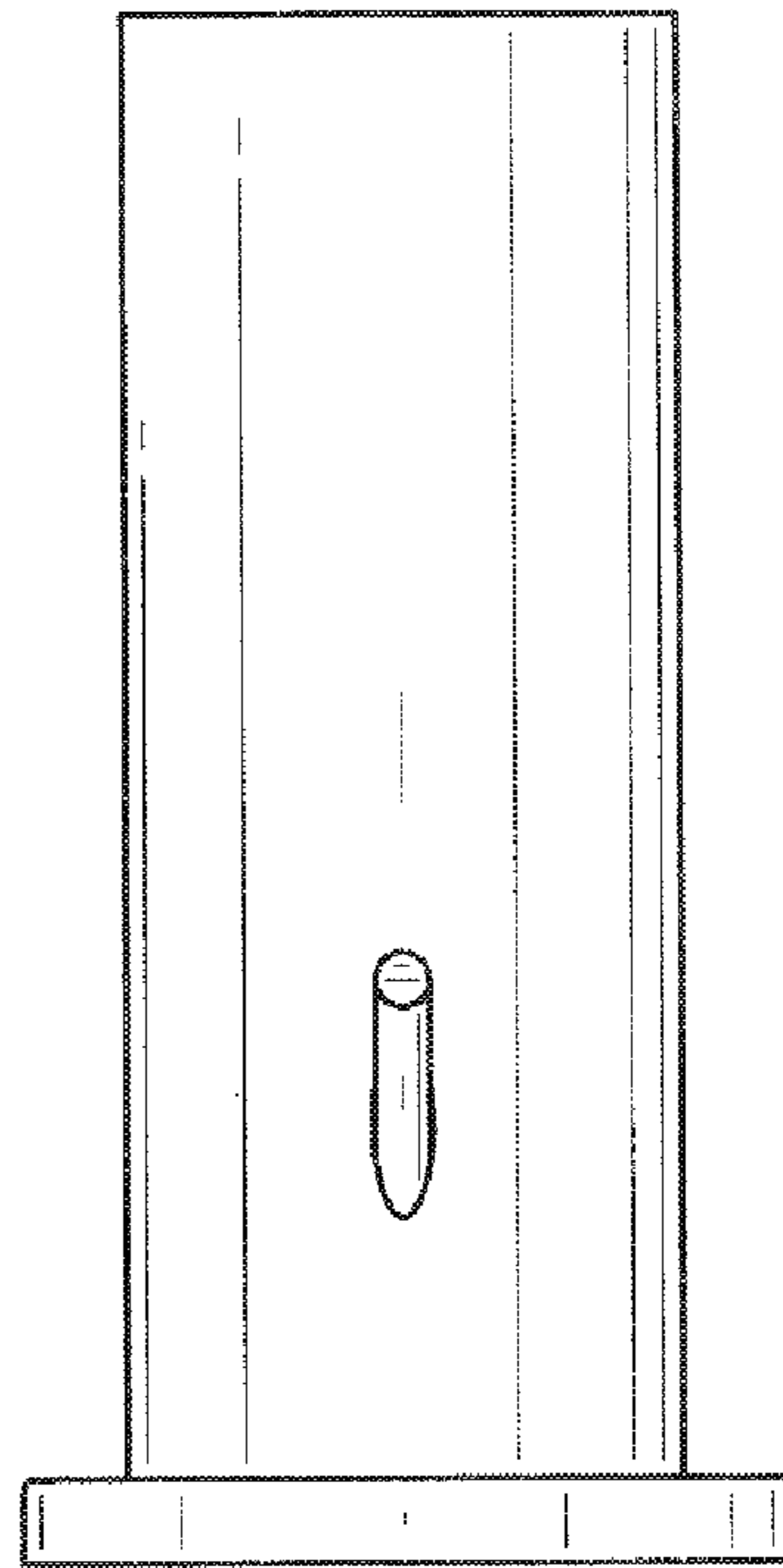


FIG. 6

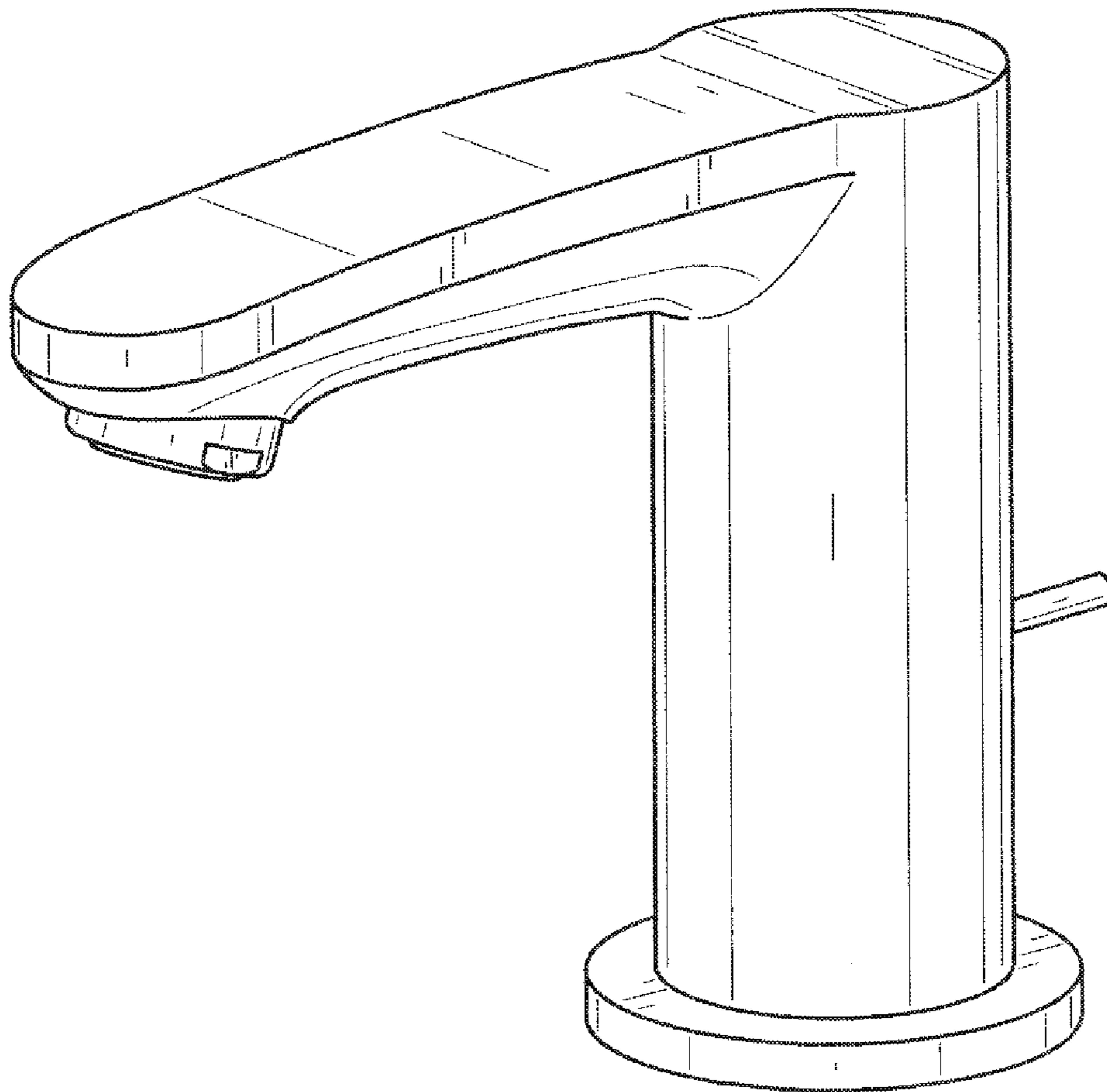


FIG. 7