



US00D640773S

(12) **United States Design Patent**  
**Ke et al.**

(10) **Patent No.:** **US D640,773 S**  
(45) **Date of Patent:** **\*\* Jun. 28, 2011**

(54) **SPOUT**

(75) Inventors: **Selia Ke**, Fujian Province (CN); **Aaron Hanna**, Corona, CA (US); **Hedy Lin**, Fujian Province (CN)

(73) Assignee: **Newfrey LLC**, Newark, DE (US)

(\*\*) Term: **14 Years**

(21) Appl. No.: **29/365,321**

(22) Filed: **Jul. 8, 2010**

(51) **LOC (9) Cl.** ..... **23-01**

(52) **U.S. Cl.** ..... **D23/255**

(58) **Field of Classification Search** ..... D23/238,  
D23/241-242, 255, 257, 249; 4/675-678;  
137/801

See application file for complete search history.

(56) **References Cited**

U.S. PATENT DOCUMENTS

D461,230 S \* 8/2002 Ko ..... D23/255  
D488,539 S \* 4/2004 McKeone ..... D23/255  
D631,529 S \* 1/2011 Ko ..... D23/238

\* cited by examiner

*Primary Examiner* — Robert A Delehanty

(74) *Attorney, Agent, or Firm* — Richard J. Veltman; John D. DelPonti

(57) **CLAIM**

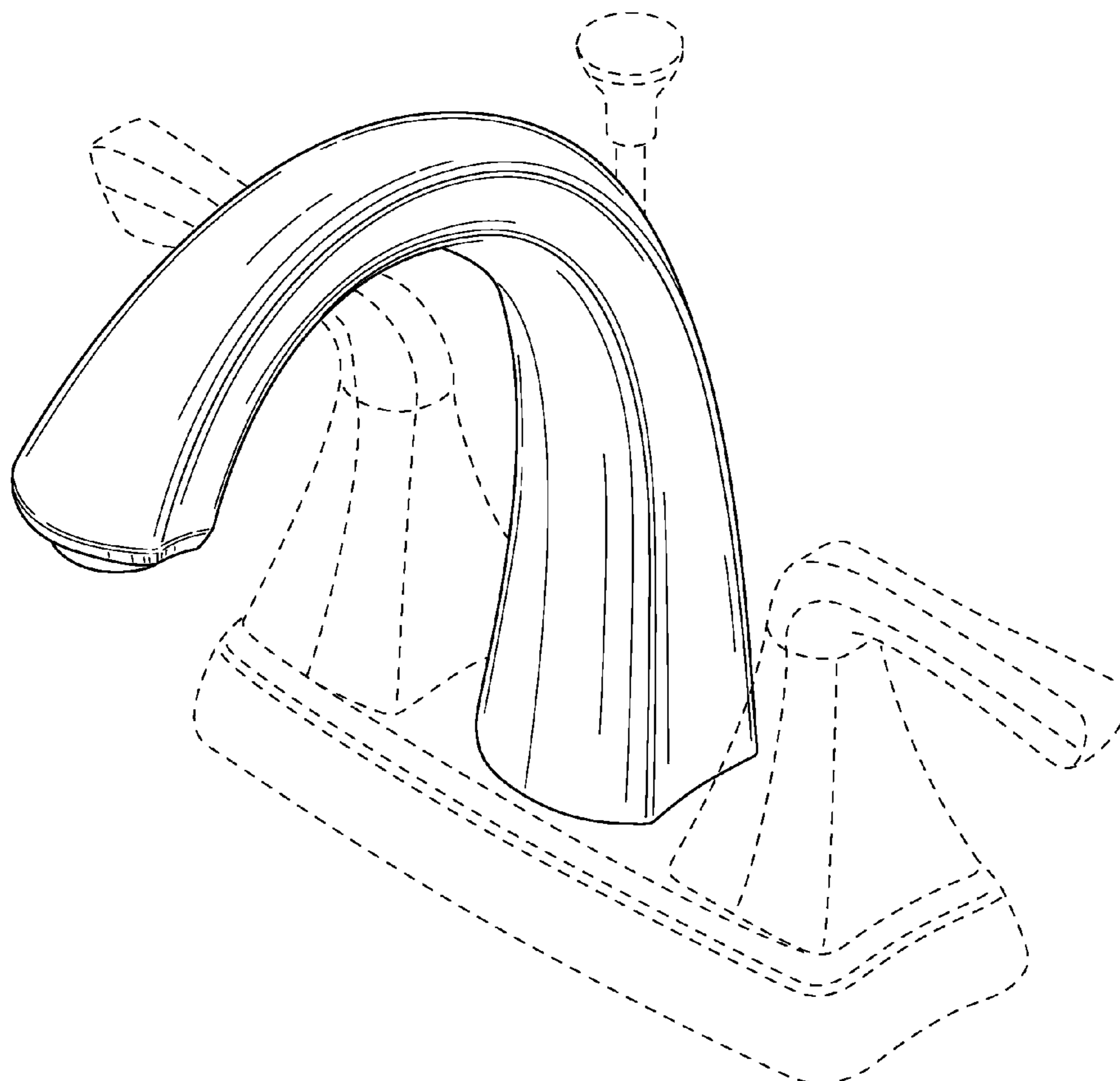
The ornamental design for a spout, as shown and described.

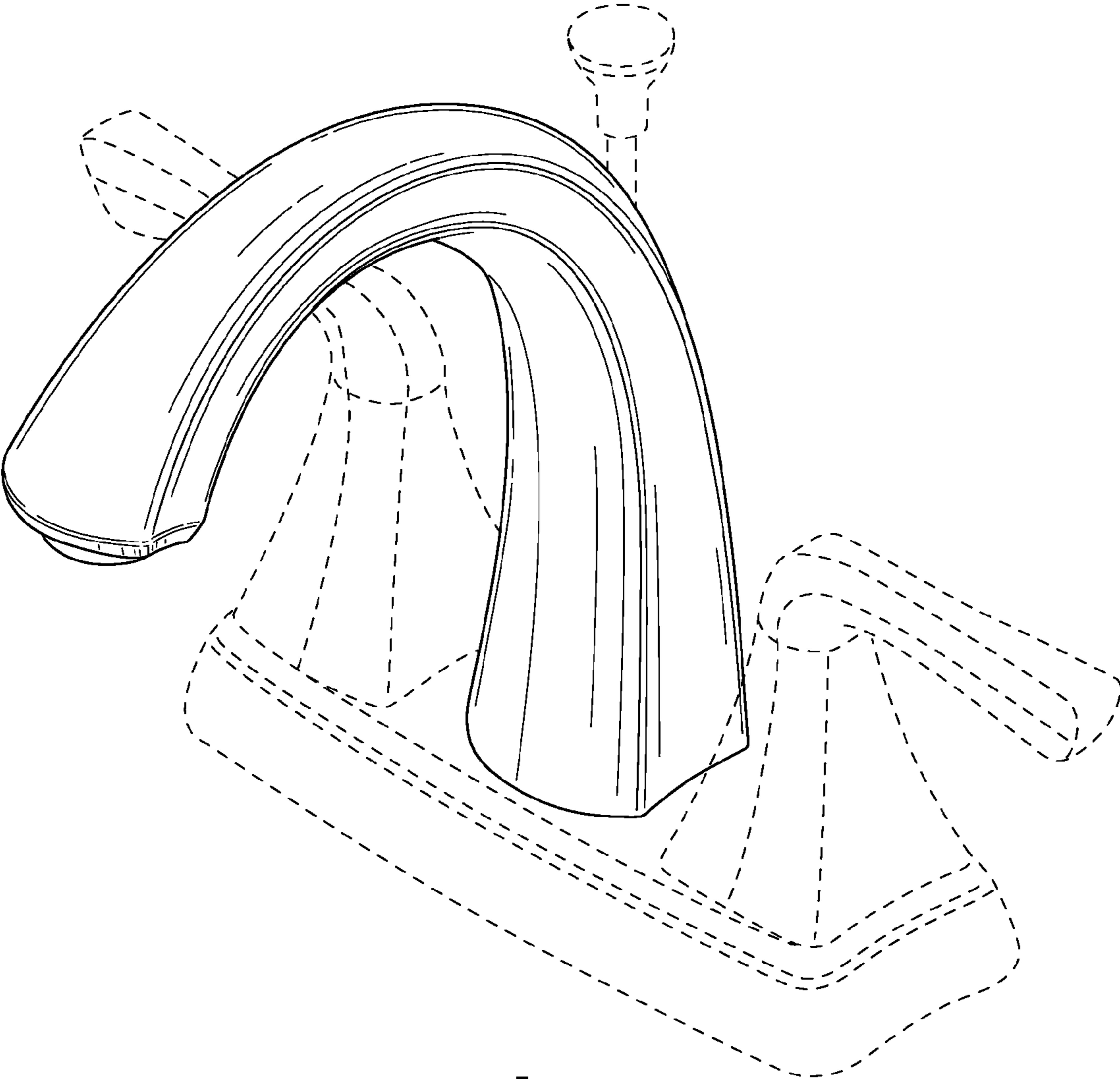
**DESCRIPTION**

FIG. 1 is a perspective view of a spout showing a new design; FIG. 2 is a front view thereof; FIG. 3 is a back view thereof; FIG. 4 is a top view thereof; FIG. 5 is a bottom view thereof; and, FIG. 6 is a left side view thereof, the right side view being a mirror image.

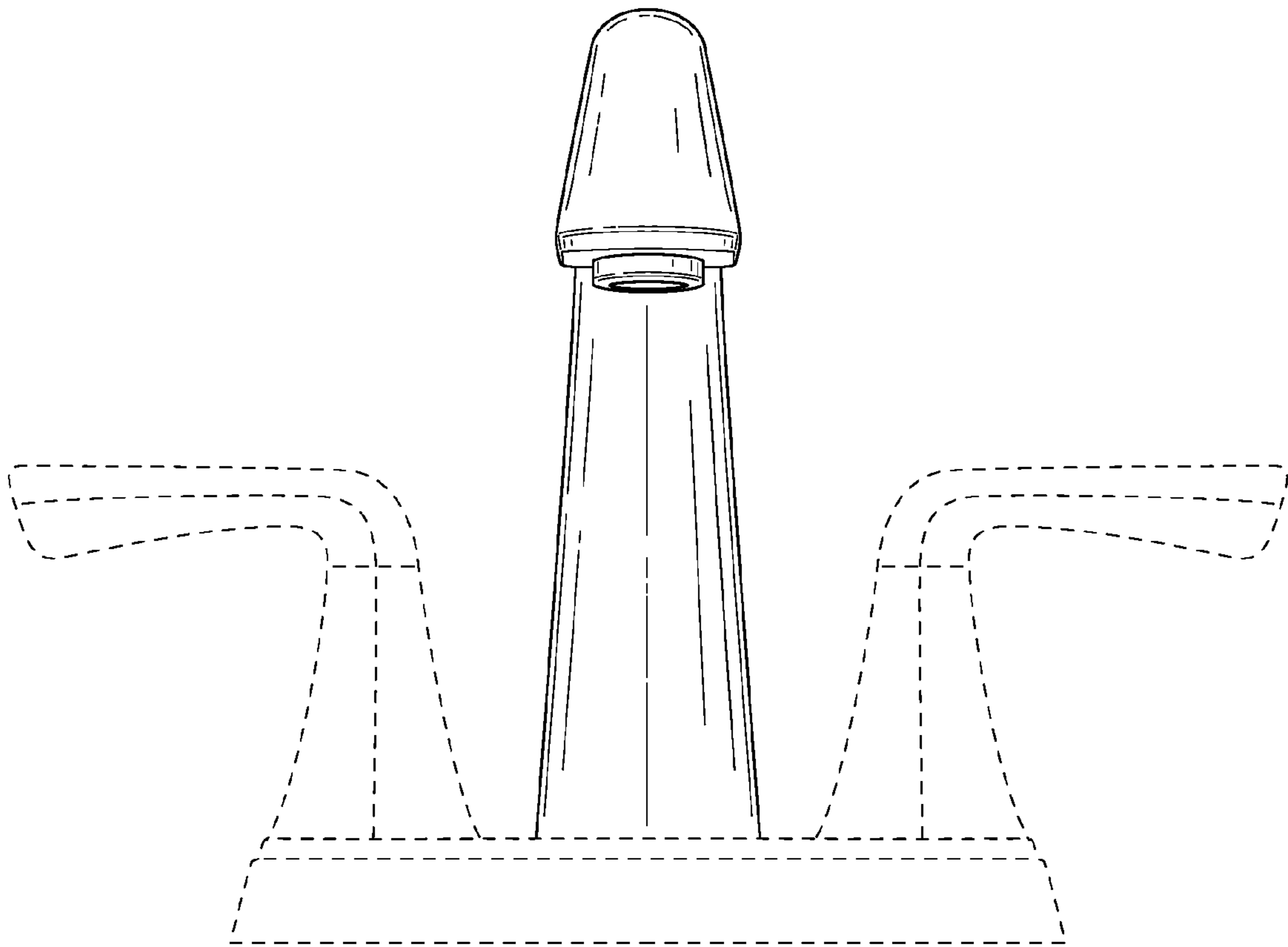
The broken lines are for illustration purposes only and are not part of the claimed invention.

**1 Claim, 6 Drawing Sheets**

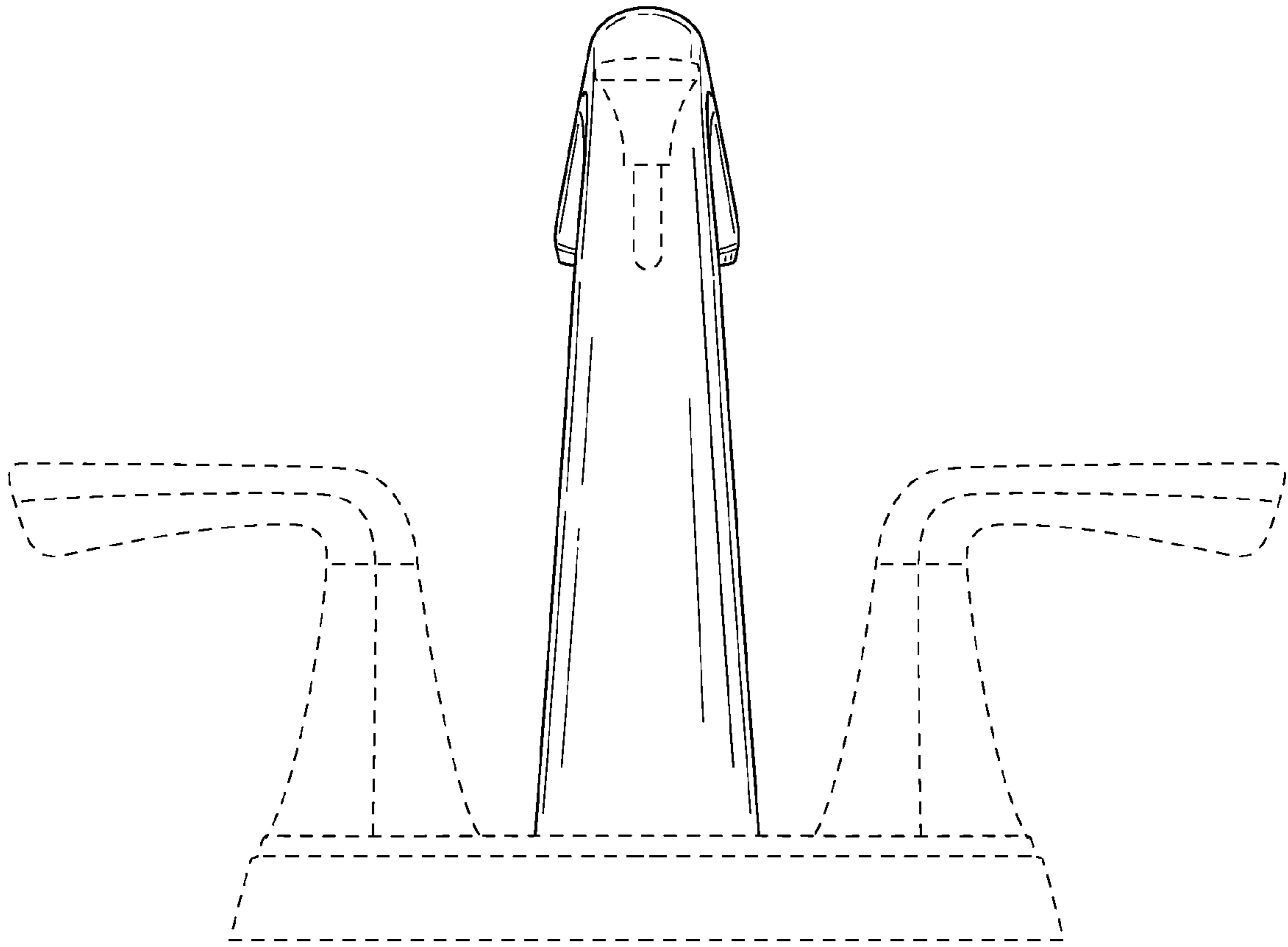




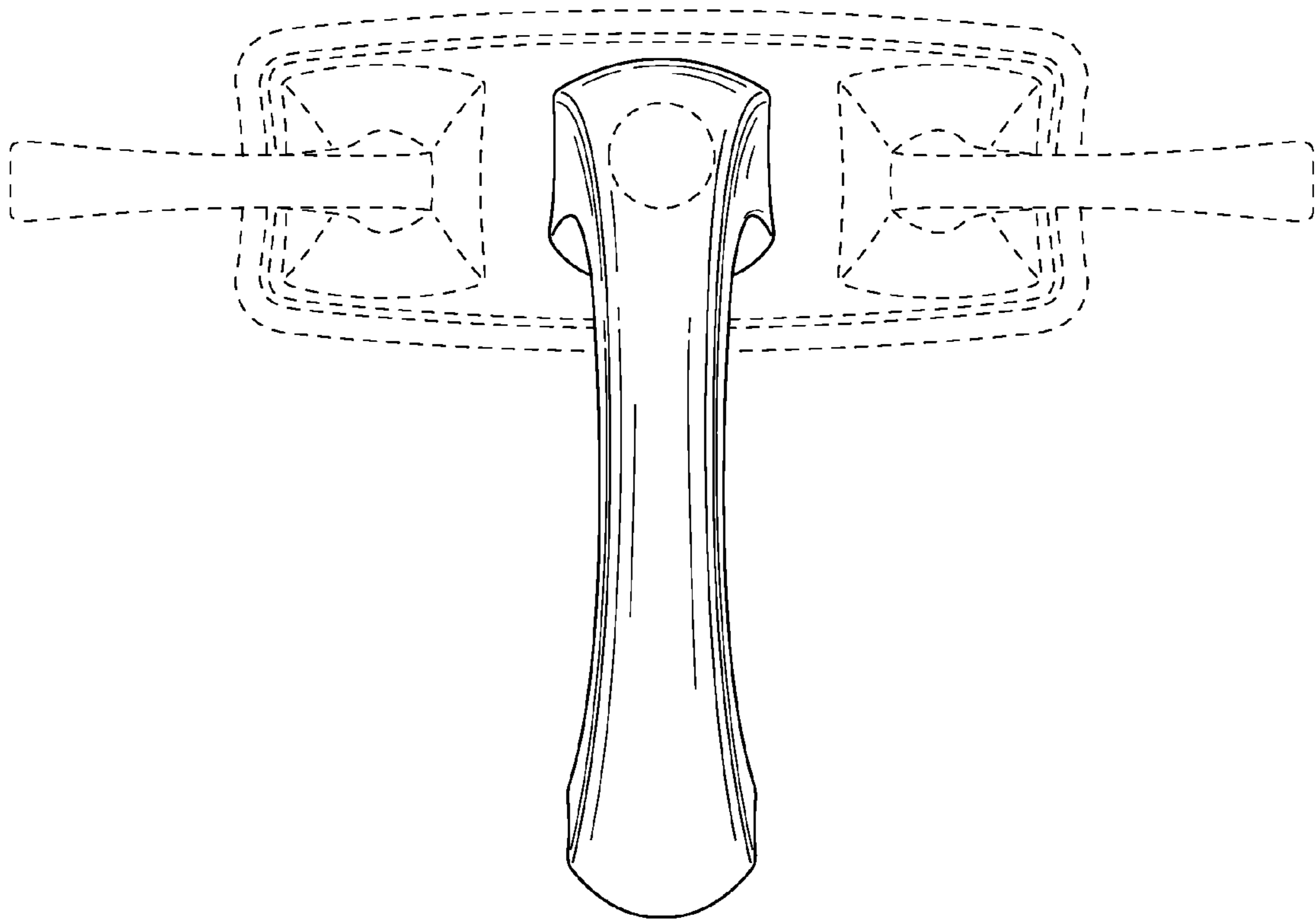
**FIG. 1**



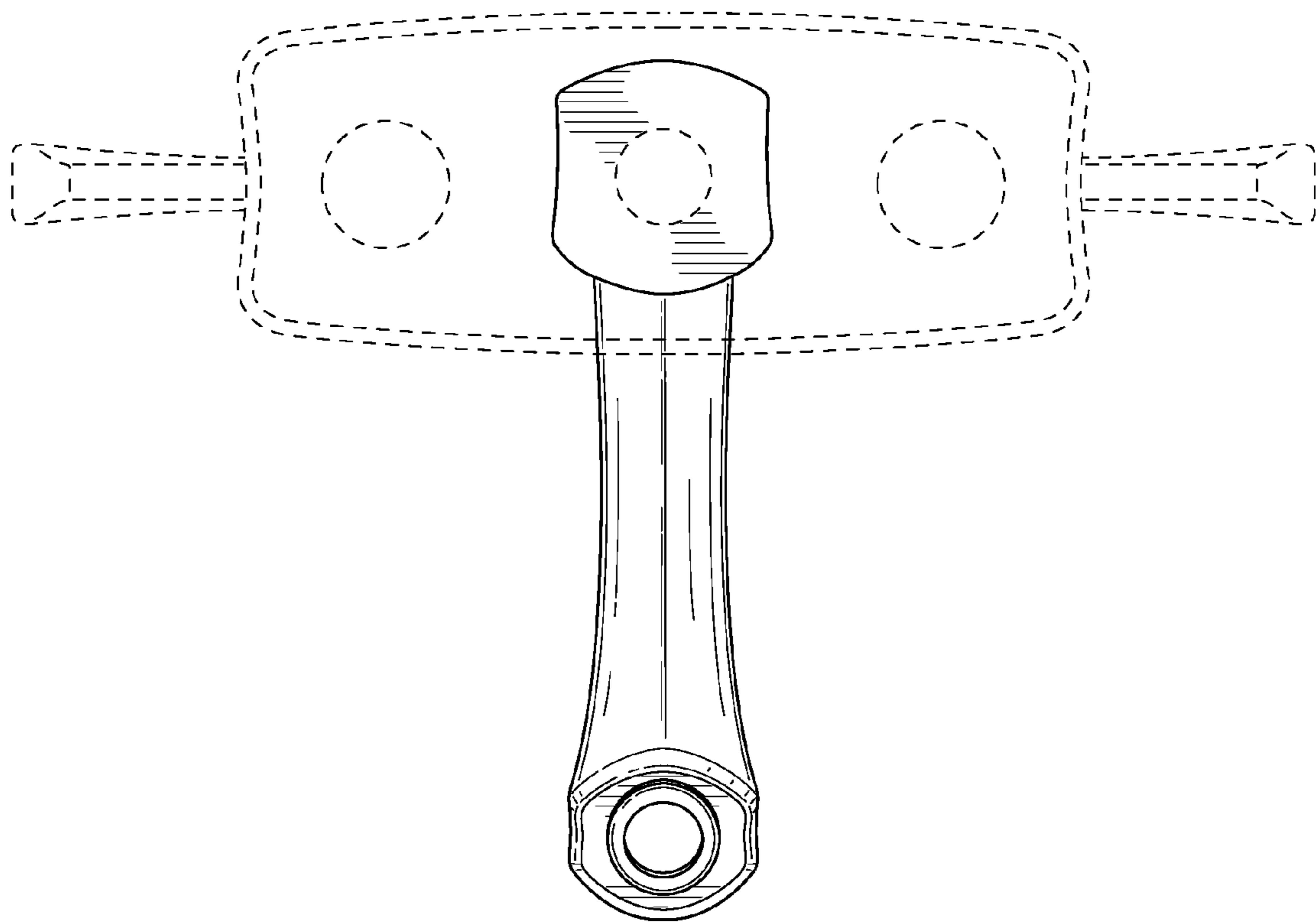
**FIG. 2**



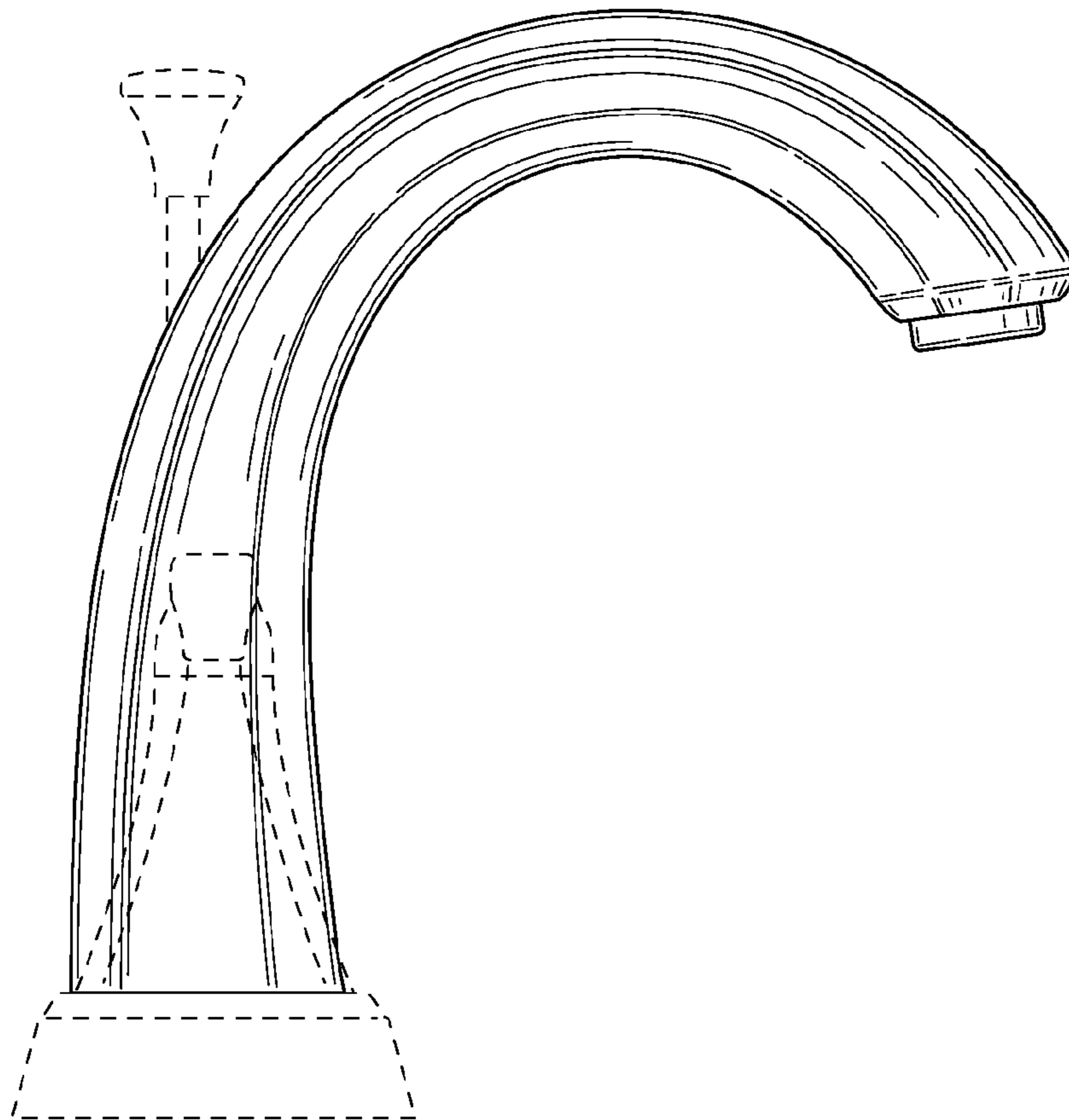
**FIG. 3**



**FIG. 4**



**FIG. 5**



**FIG. 6**