



US00D640772S

(12) **United States Design Patent**  
**Cummings et al.**

(10) **Patent No.:** **US D640,772 S**

(45) **Date of Patent:** **\*\* Jun. 28, 2011**

(54) **SHOWERHEAD FOR WALL MOUNTING**

(75) Inventors: **Stephen John Cummings**, Newport (AU); **David Giorgio**, Five Dock (AU)

(73) Assignee: **Caroma Industries Limited** (AU)

(\*\*) Term: **14 Years**

(21) Appl. No.: **29/376,934**

(22) Filed: **Oct. 14, 2010**

(30) **Foreign Application Priority Data**

May 28, 2010 (AU) ..... 12175/2010

(51) **LOC (9) Cl.** ..... **23-01**

(52) **U.S. Cl.** ..... **D23/213**

(58) **Field of Classification Search** ..... D23/213,  
D23/229-230; 239/282-283; 4/615

See application file for complete search history.

(56) **References Cited**

**U.S. PATENT DOCUMENTS**

D263,867 S \* 4/1982 Thompson ..... D23/213

D333,338 S \* 2/1993 Klose ..... D23/213

D545,403 S \* 6/2007 Kemp ..... D23/255

D555,762 S \* 11/2007 Jaeb ..... D23/213

\* cited by examiner

*Primary Examiner* — Robin Webster

(74) *Attorney, Agent, or Firm* — Wood, Phillips, Katz, Clark & Mortimer

(57) **CLAIM**

The ornamental design for a showerhead for wall mounting, as shown and described.

**DESCRIPTION**

FIG. 1 is a front perspective view of a showerhead for wall mounting showing our new design;

FIG. 2 is a rear perspective view thereof;

FIG. 3 is a rear view thereof;

FIG. 4 is a top, plan view thereof;

FIG. 5 is a left side elevational view thereof, the right side elevational view thereof being a mirror image;

FIG. 6 is a front elevational view thereof;

FIG. 7 is a bottom, plan view thereof;

FIG. 8 is a front perspective view of an alternate embodiment thereof;

FIG. 9 is a rear perspective view thereof;

FIG. 10 is a rear view thereof;

FIG. 11 is a top, plan view thereof;

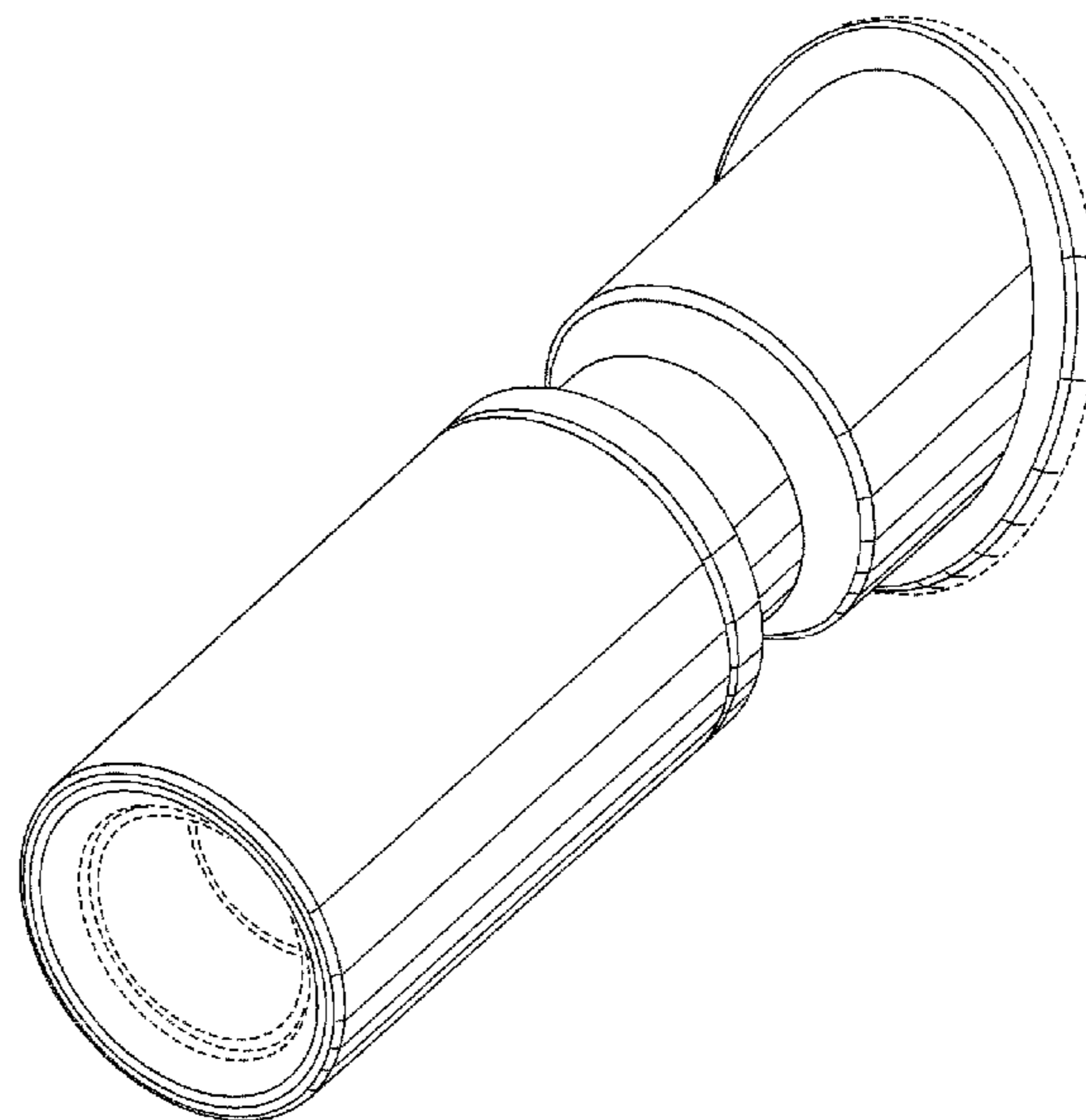
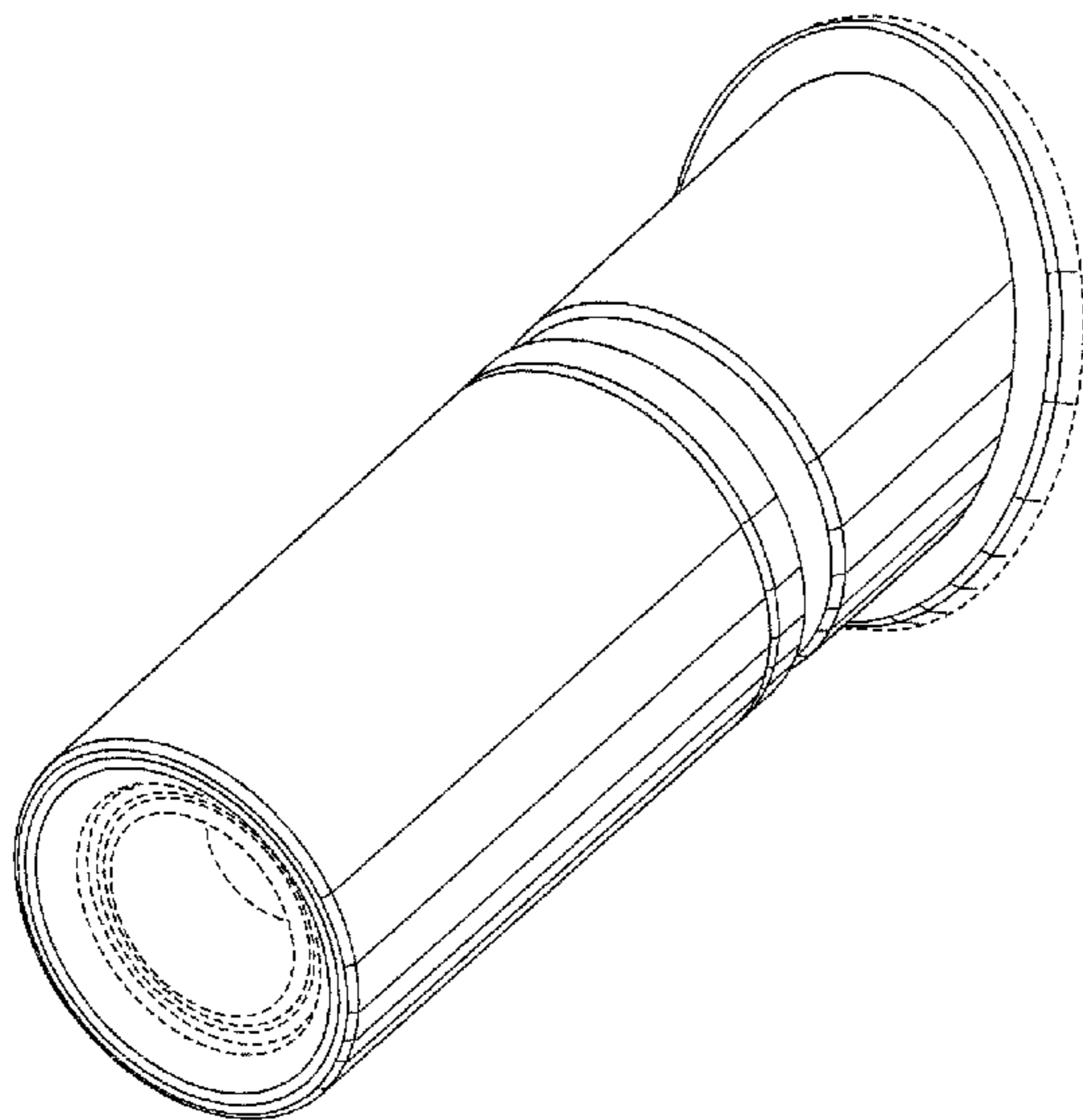
FIG. 12 is a left side elevational view thereof, the right side elevational view thereof being a mirror image;

FIG. 13 is a front elevational view thereof; and,

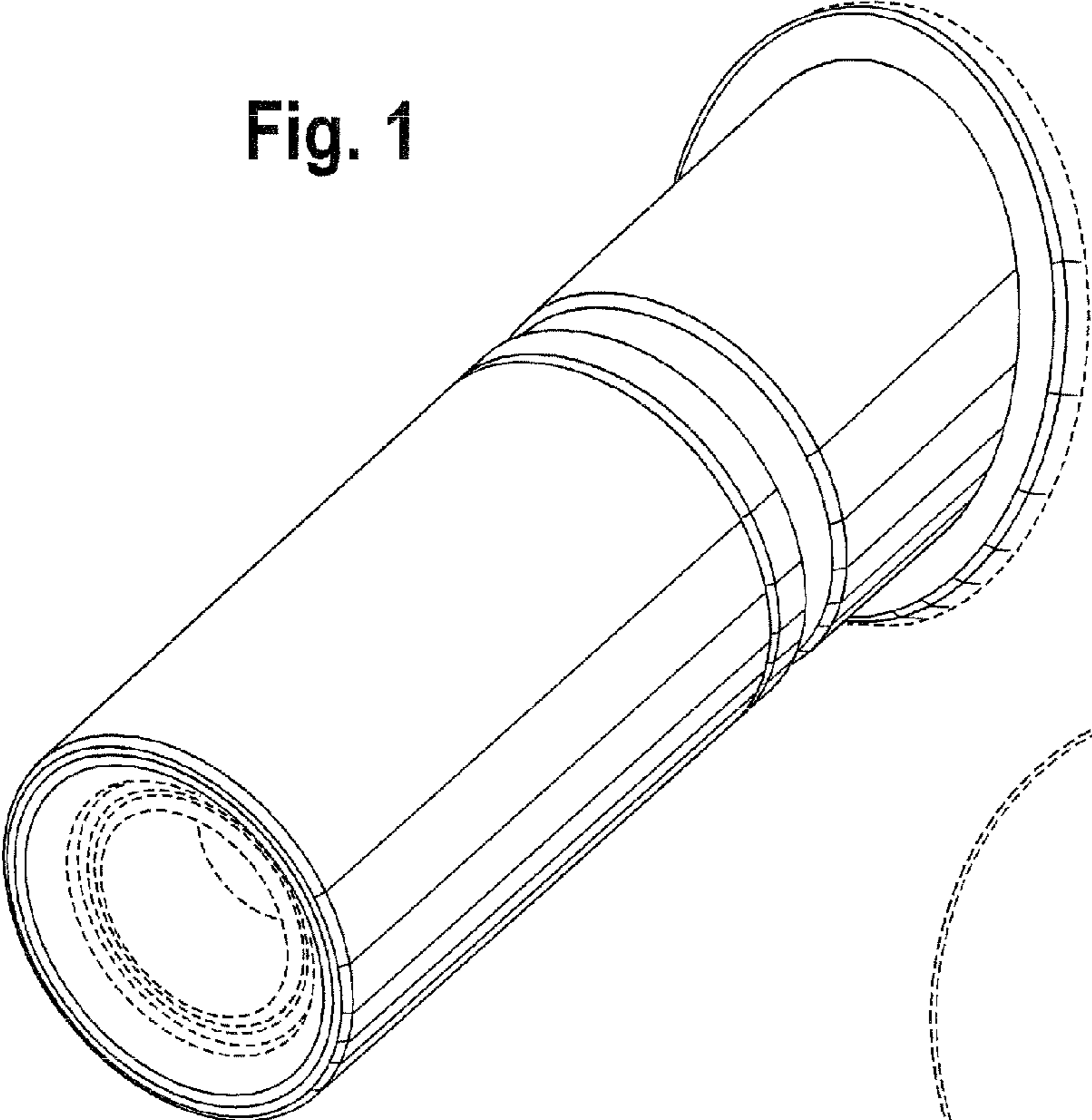
FIG. 14 is a bottom, plan view thereof.

The broken lines in the drawings are for illustrative purposes only and form no part of the claimed design.

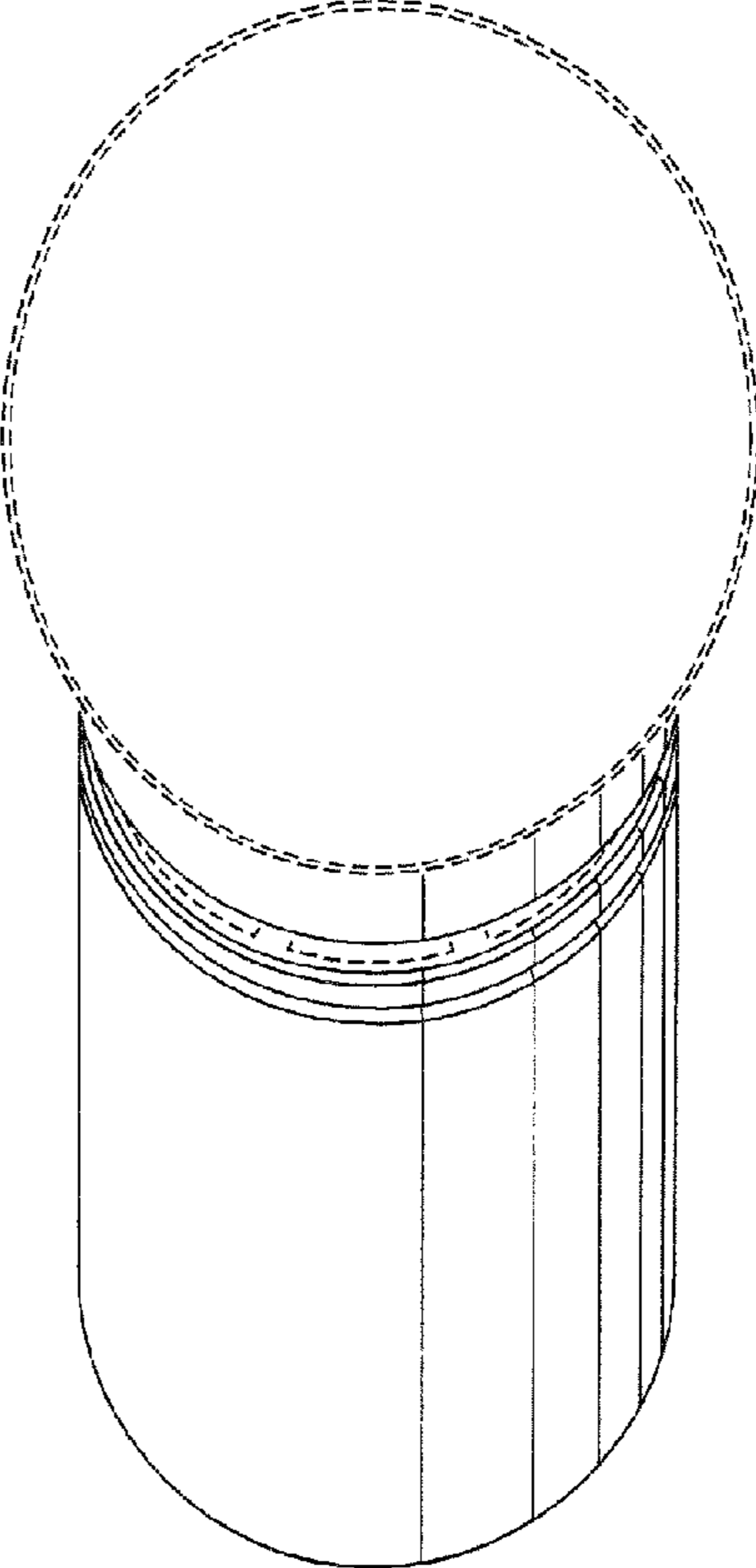
**1 Claim, 6 Drawing Sheets**



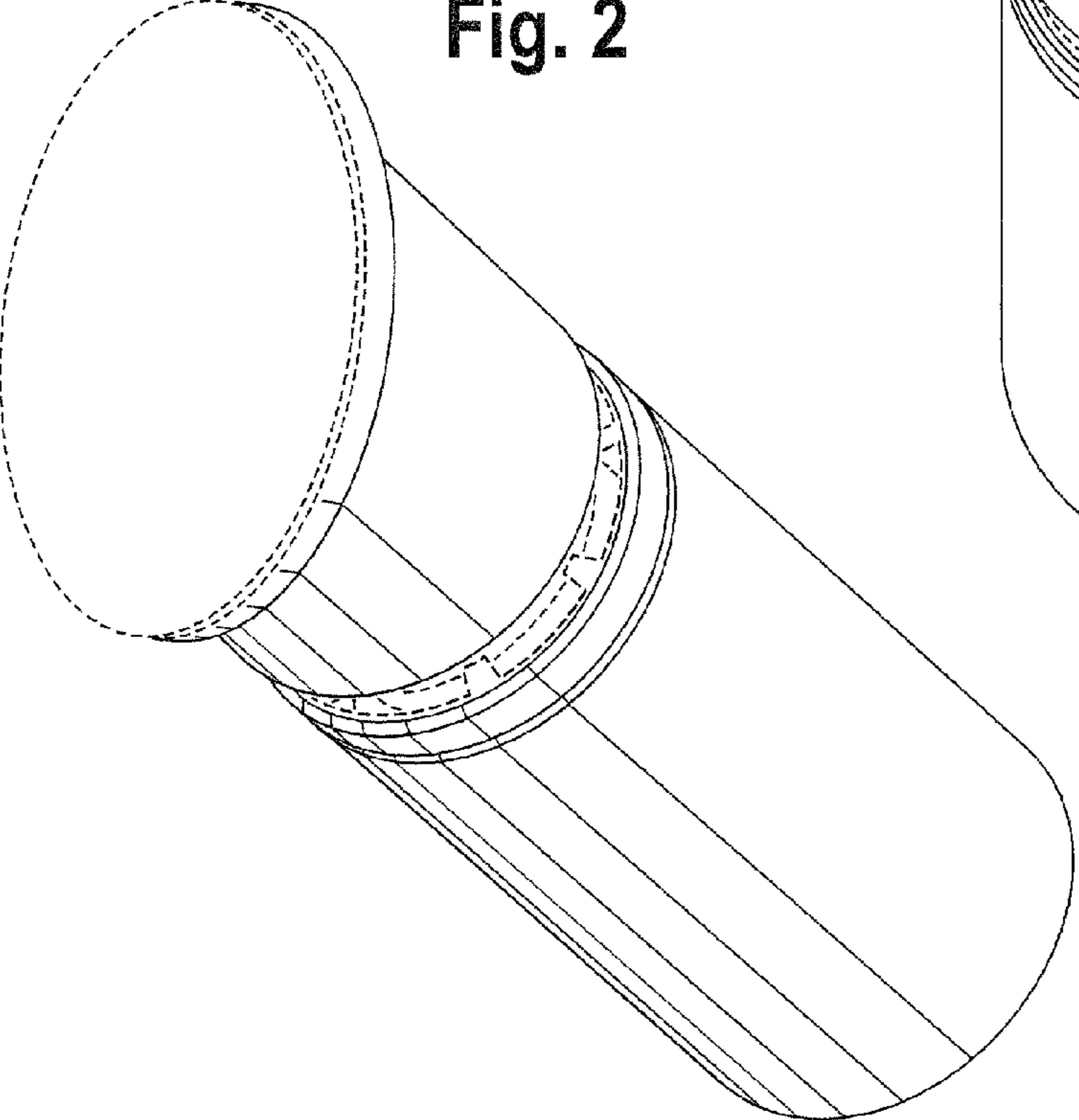
**Fig. 1**



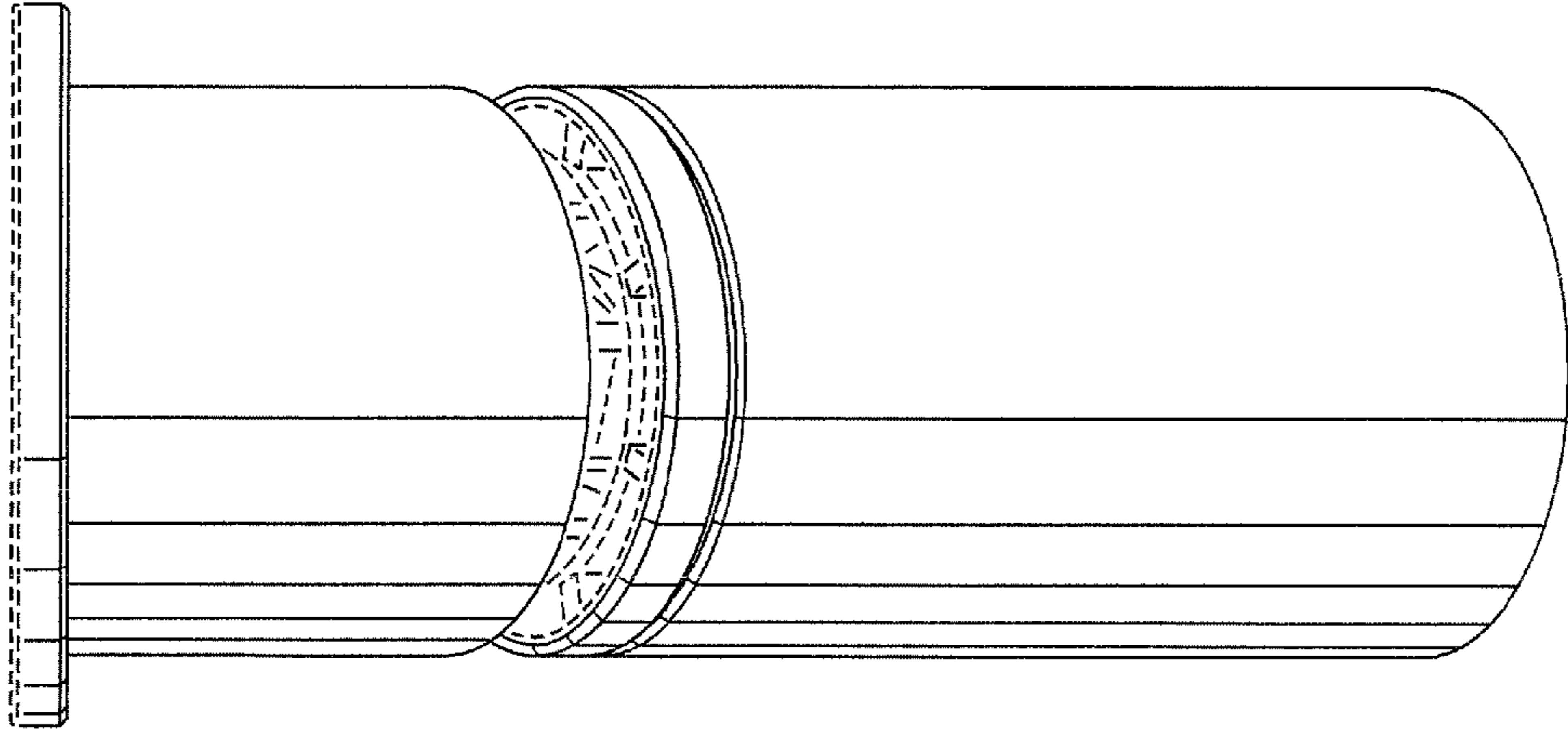
**Fig. 3**



**Fig. 2**



**Fig. 4**



**Fig. 5**

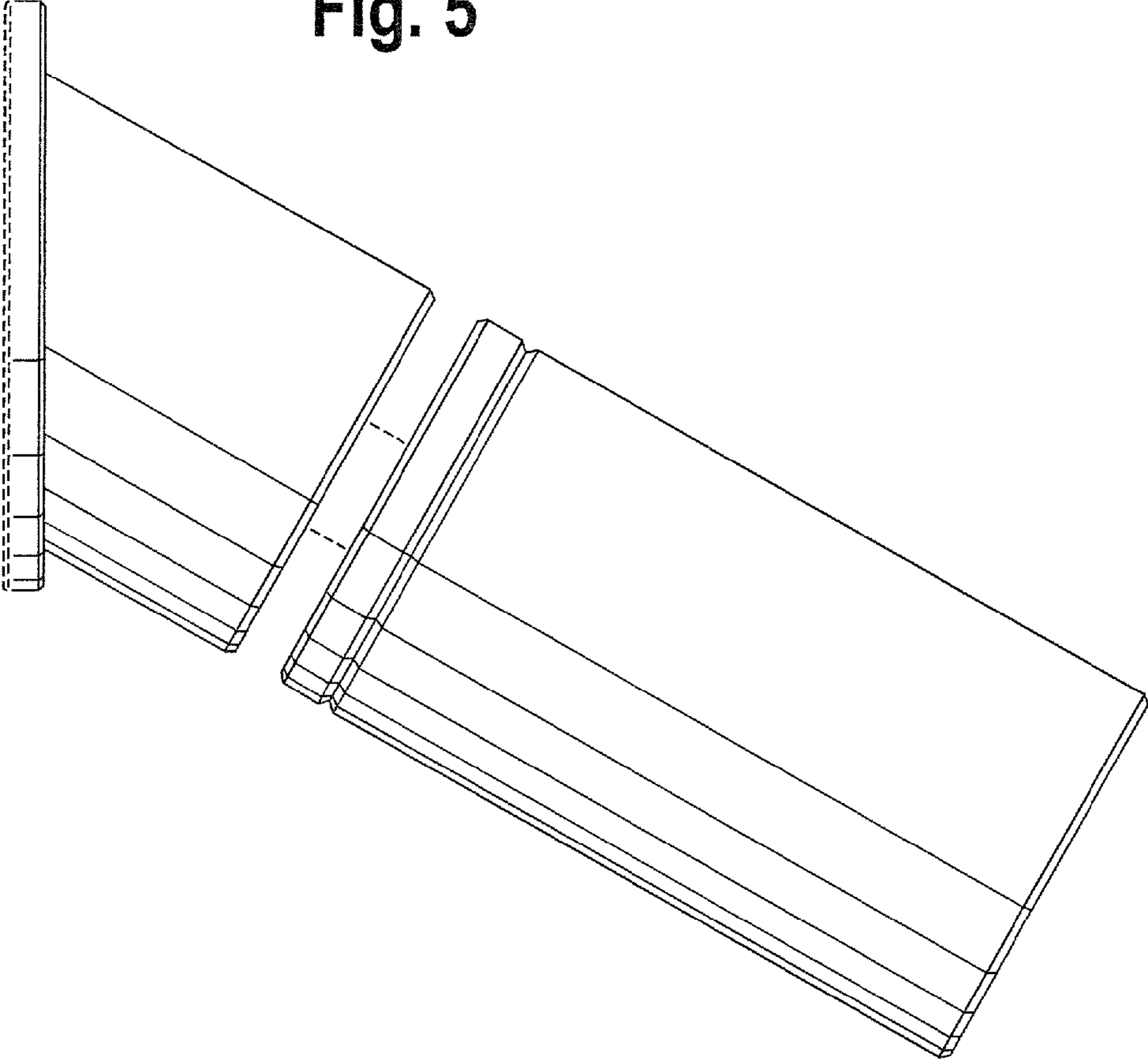


Fig. 6

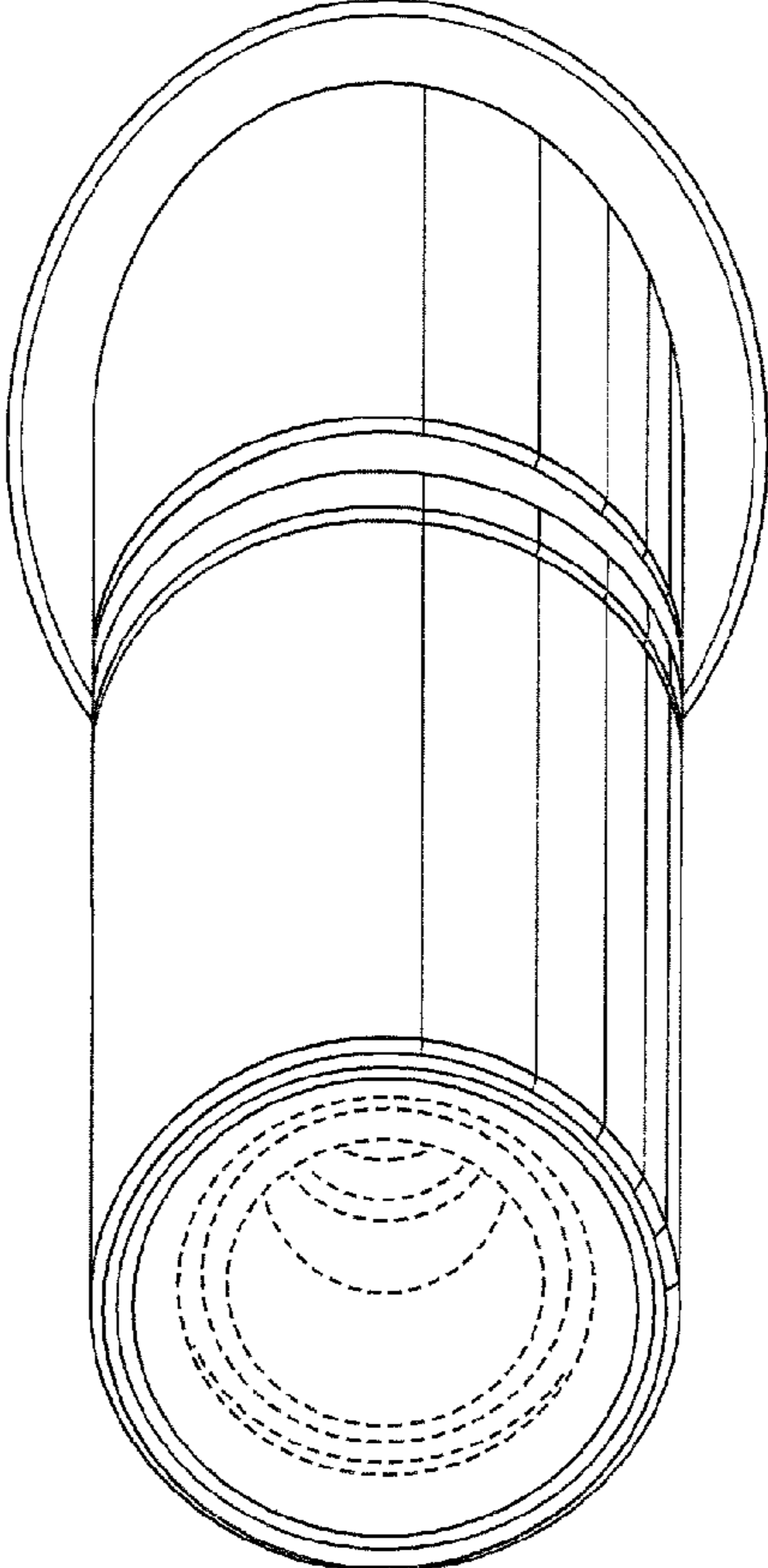
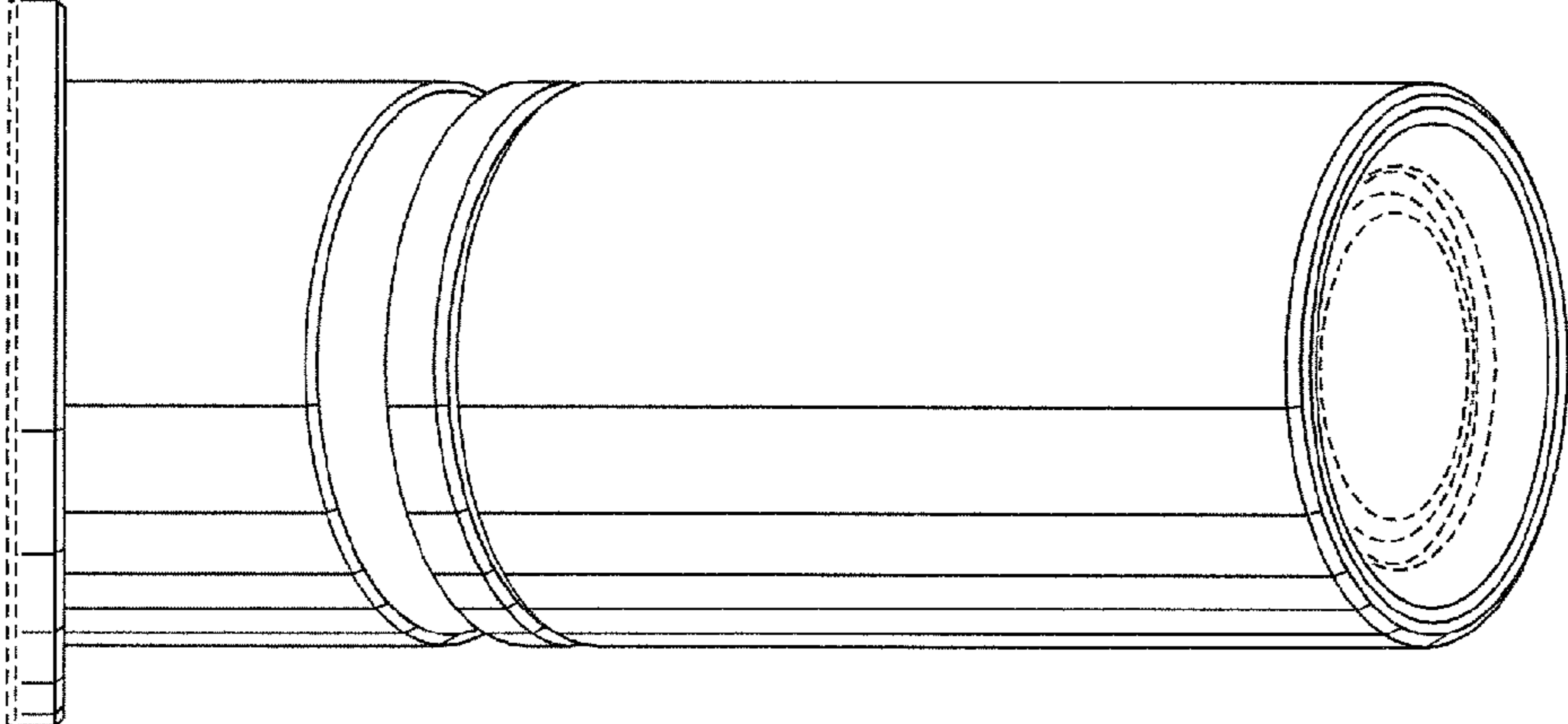


Fig. 7



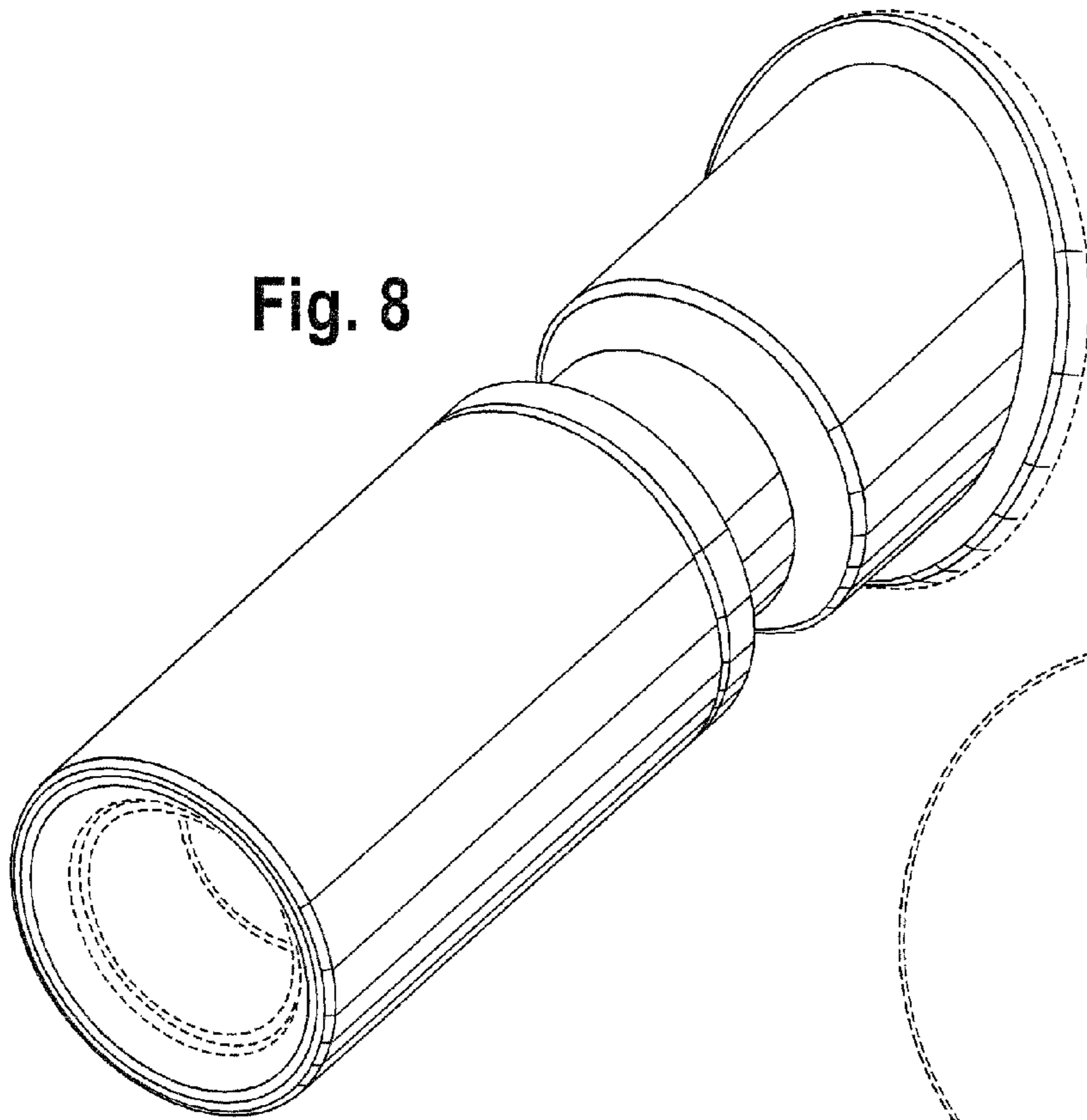


Fig. 8

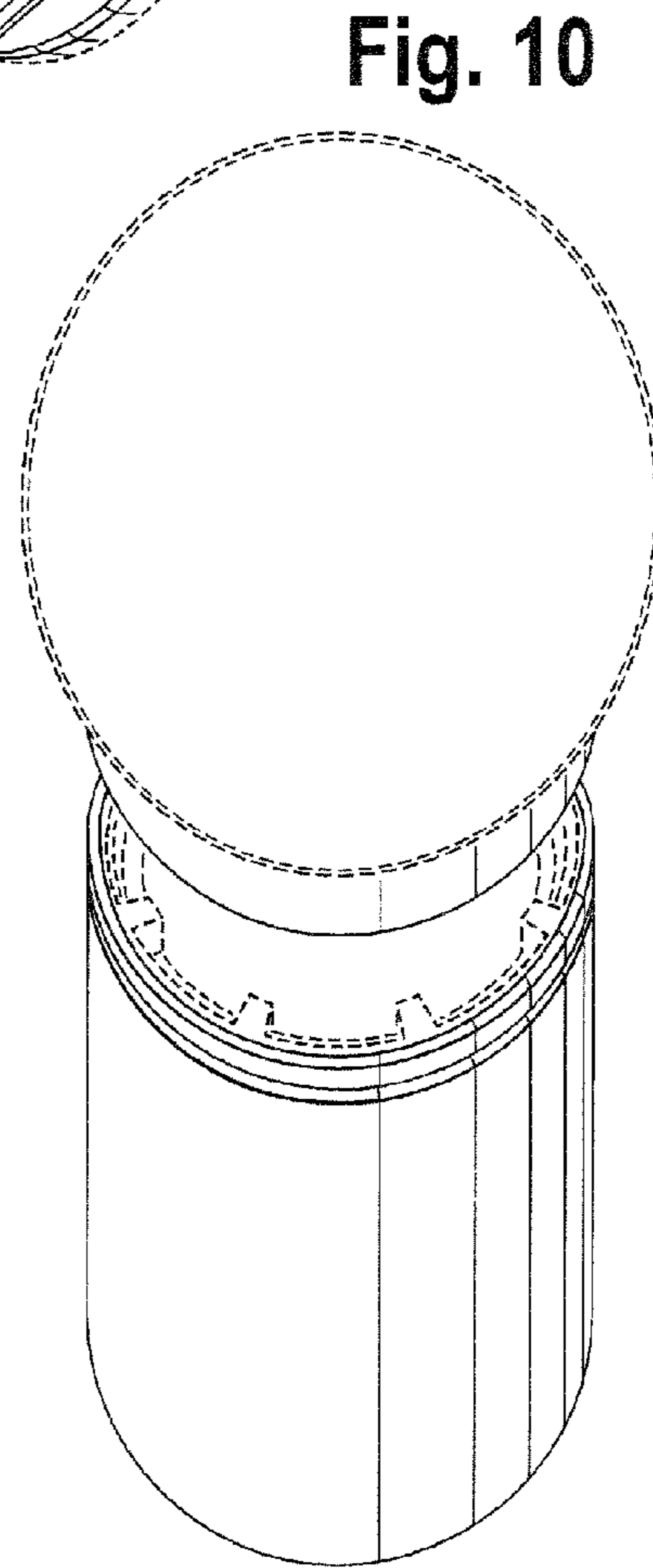


Fig. 10

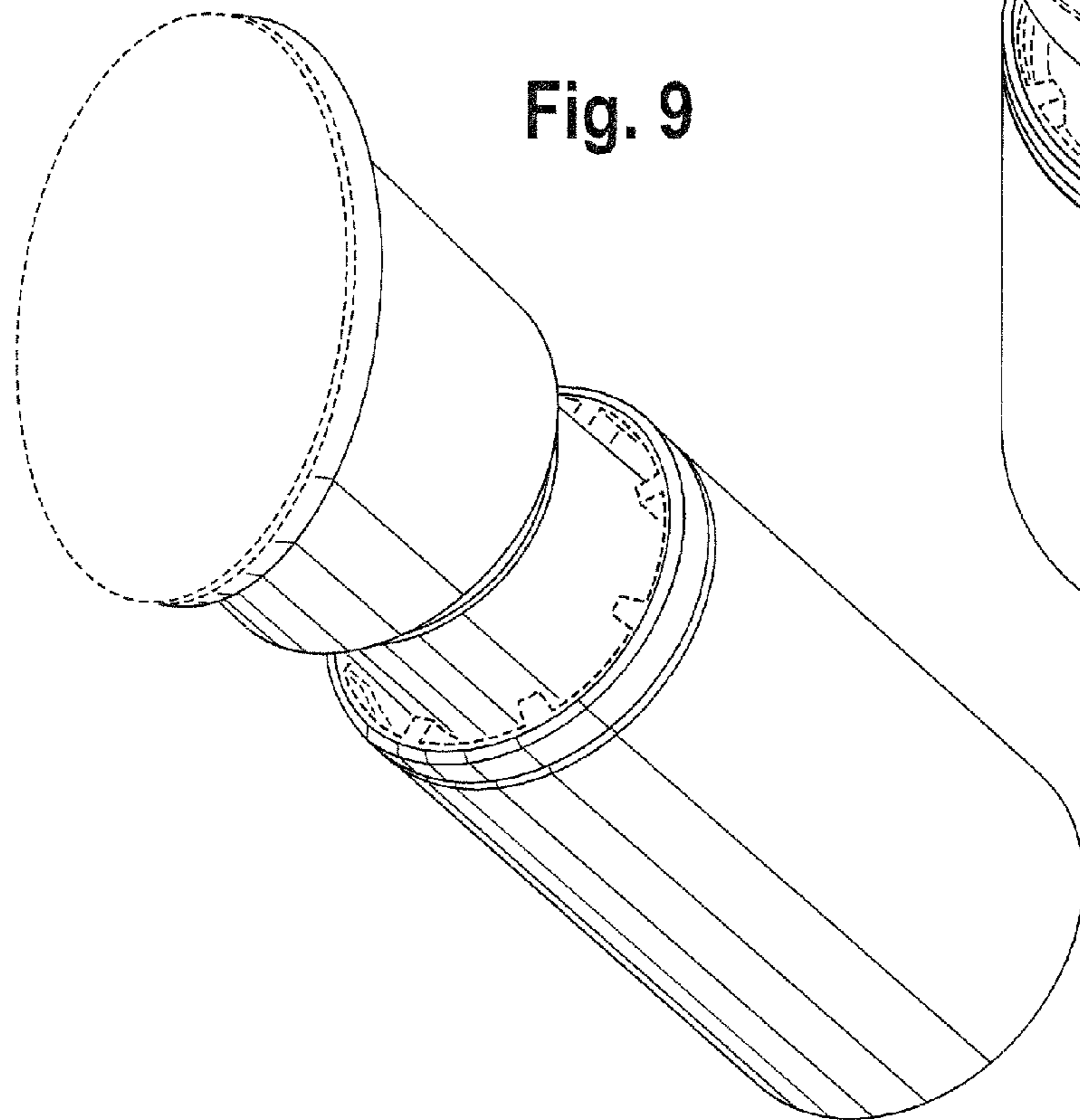


Fig. 9

Fig. 11

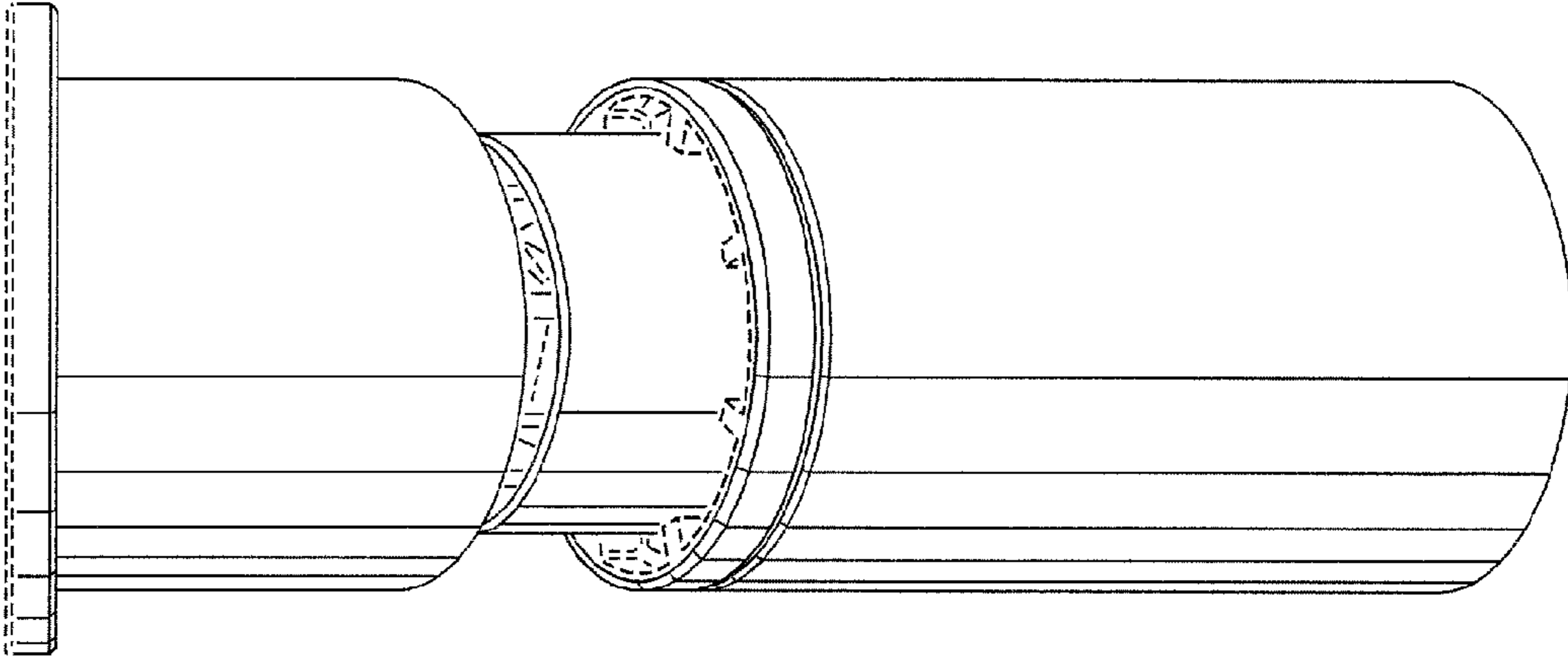


Fig. 12

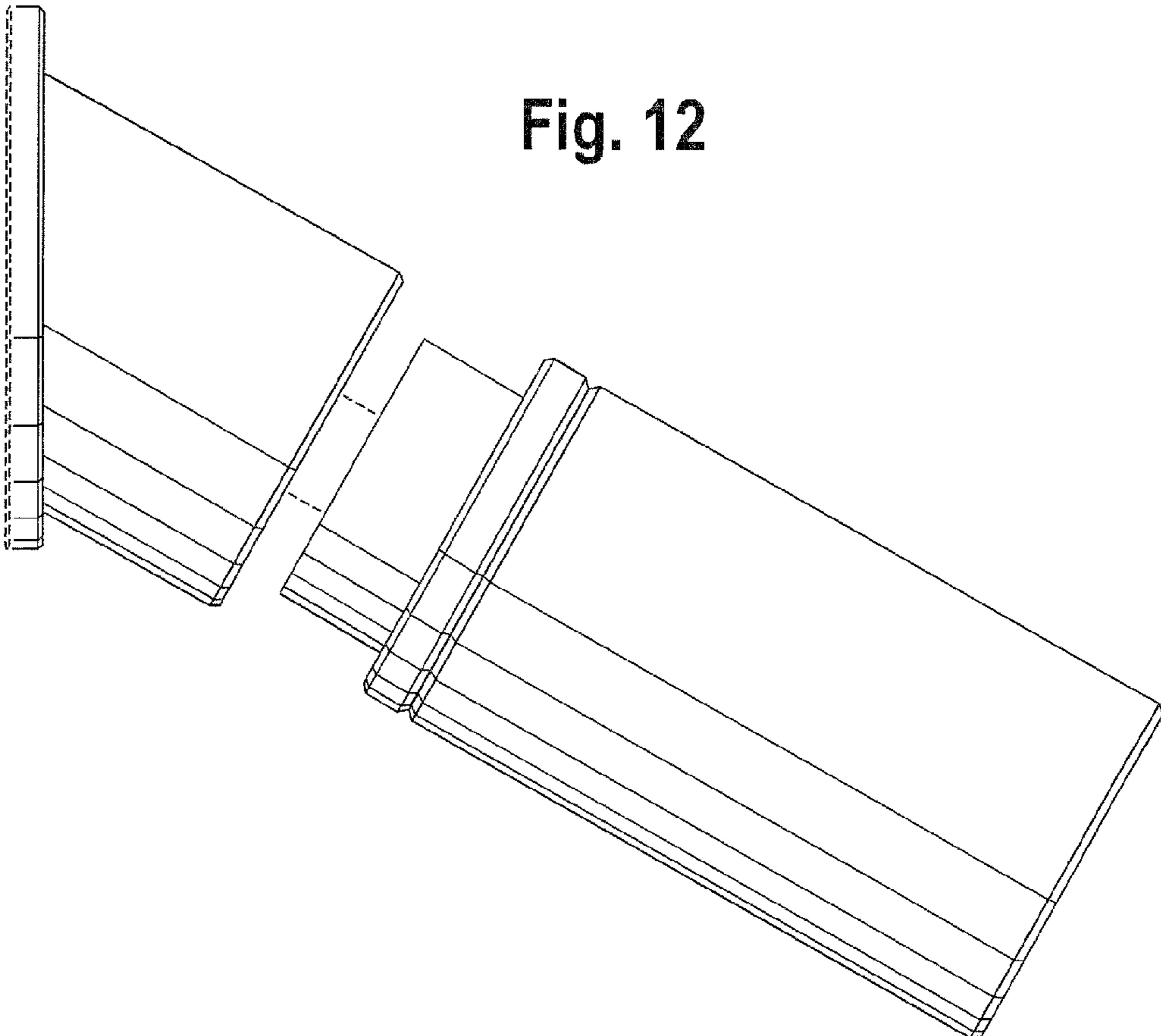


Fig. 13

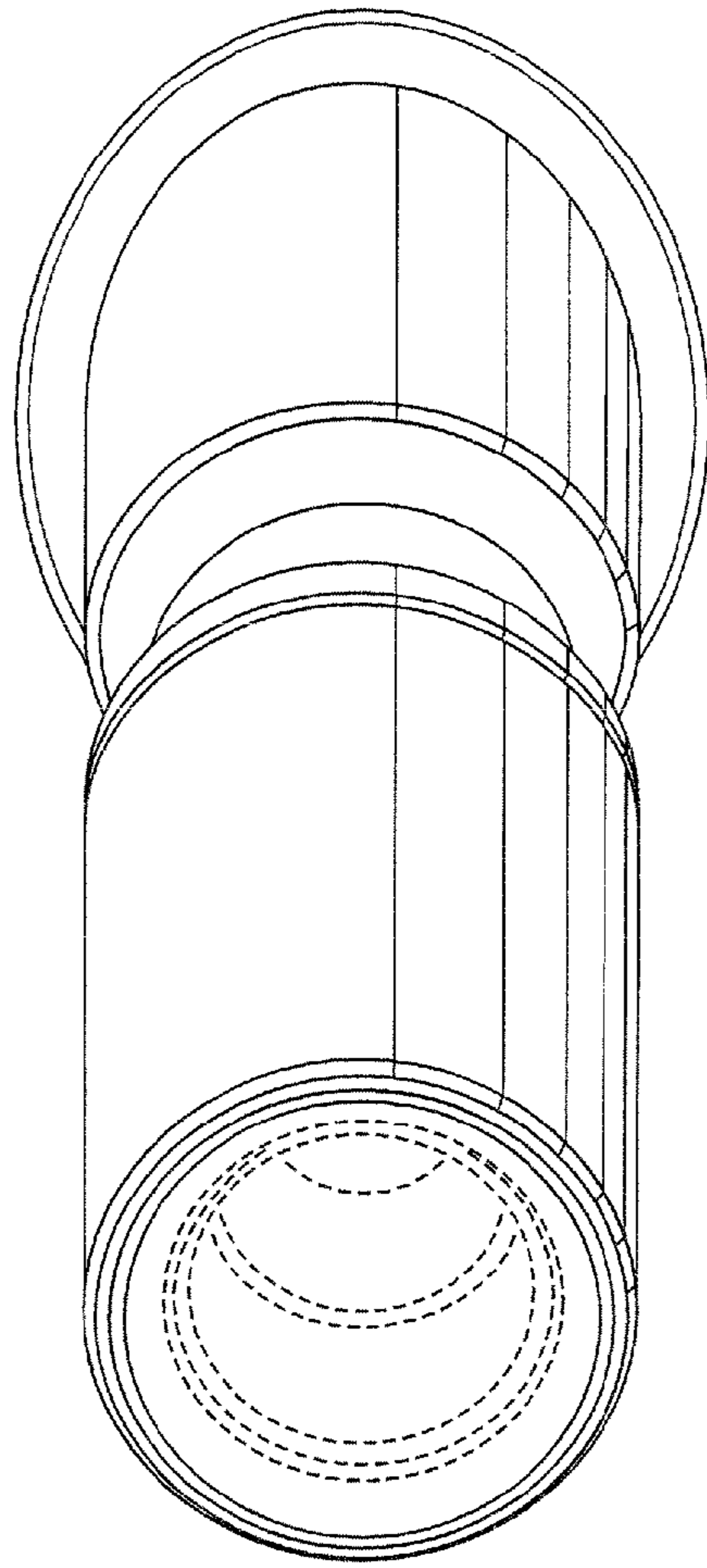


Fig. 14

