



US00D640771S

(12) **United States Design Patent**
Kolacz

(10) **Patent No.:** **US D640,771 S**
(45) **Date of Patent:** **** Jun. 28, 2011**

(54) **FIREFIGHTING NOZZLE**

(75) Inventor: **David Kolacz**, Plymouth, IN (US)

(73) Assignee: **Task Force Tips, Incorporated**,
Valparaiso, IN (US)

(**) Term: **14 Years**

(21) Appl. No.: **29/363,070**

(22) Filed: **Jun. 4, 2010**

(51) **LOC (9) Cl.** **23-01**

(52) **U.S. Cl.** **D23/213**

(58) **Field of Classification Search** D23/213,
D23/223, 226; 239/525-526, 583, 271; 169/70
See application file for complete search history.

(56) **References Cited**

U.S. PATENT DOCUMENTS

3,116,018	A *	12/1963	Kunz	239/458
3,784,113	A *	1/1974	Specht	239/460
4,252,278	A *	2/1981	McMillan	239/583
4,470,549	A	9/1984	McMillan		
4,589,439	A *	5/1986	Steingass	137/219
4,653,693	A	3/1987	Steingass		
4,944,460	A	7/1990	Steingass		
D374,408	S	10/1996	McMillan		
6,877,676	B2 *	4/2005	Saner et al.	239/296
D515,662	S *	2/2006	Chen	D23/223
7,195,181	B2 *	3/2007	Steingass et al.	239/581.1
7,328,860	B1 *	2/2008	Chen	239/581.1
D576,253	S *	9/2008	Cheng	D23/223
D599,433	S *	9/2009	Zore	D23/223
7,823,801	B2 *	11/2010	McGarry et al.	239/18

OTHER PUBLICATIONS

Akron Brass Company, Nozzle brochure (Apr. 2009) (4 pages).
Akron Brass Company, Saberjet nozzle brochure (2002) (2 pages).
Elkhart Brass, Chief Tip nozzle data sheet (Jun. 2008 (4 pages).
Elkhart Brass, Flex Attack Nozzle brochure (2008) (2 pages).
Elkhart Brass, Low Pressure Nozzles brochure (publicly available before Jun. 4, 2010) (4 pages).

Elkhart Brass, Phantom Nozzle brochure (publicly available before Jun. 4, 2010) (2 pages).
Elkhart Brass, Solid Strike Nozzle brochure (2008) (2 pages).
POK, Legende nozzle brochure (publicly available before Jun. 4, 2010) (1 page).
POK, Pokador nozzle brochure (publicly available before Jun. 4, 2010) (1 page).
POK, Slide-O-Matic 600 nozzle brochure (publicly available before Jun. 4, 2010) (1 page).
POK, Specialty Nozzles brochure (publicly available before Jun. 4, 2010) (1 page).
POK, Tornadomatic nozzle brochure (publicly available before Jun. 4, 2010) (1 page).
POK, Turbokador nozzle brochure (publicly available before Jun. 4, 2010) (1 page).

(Continued)

Primary Examiner — Robin V Webster

(74) *Attorney, Agent, or Firm* — Marshall, Gerstein & Borun LLP; Richard M. LaBarge

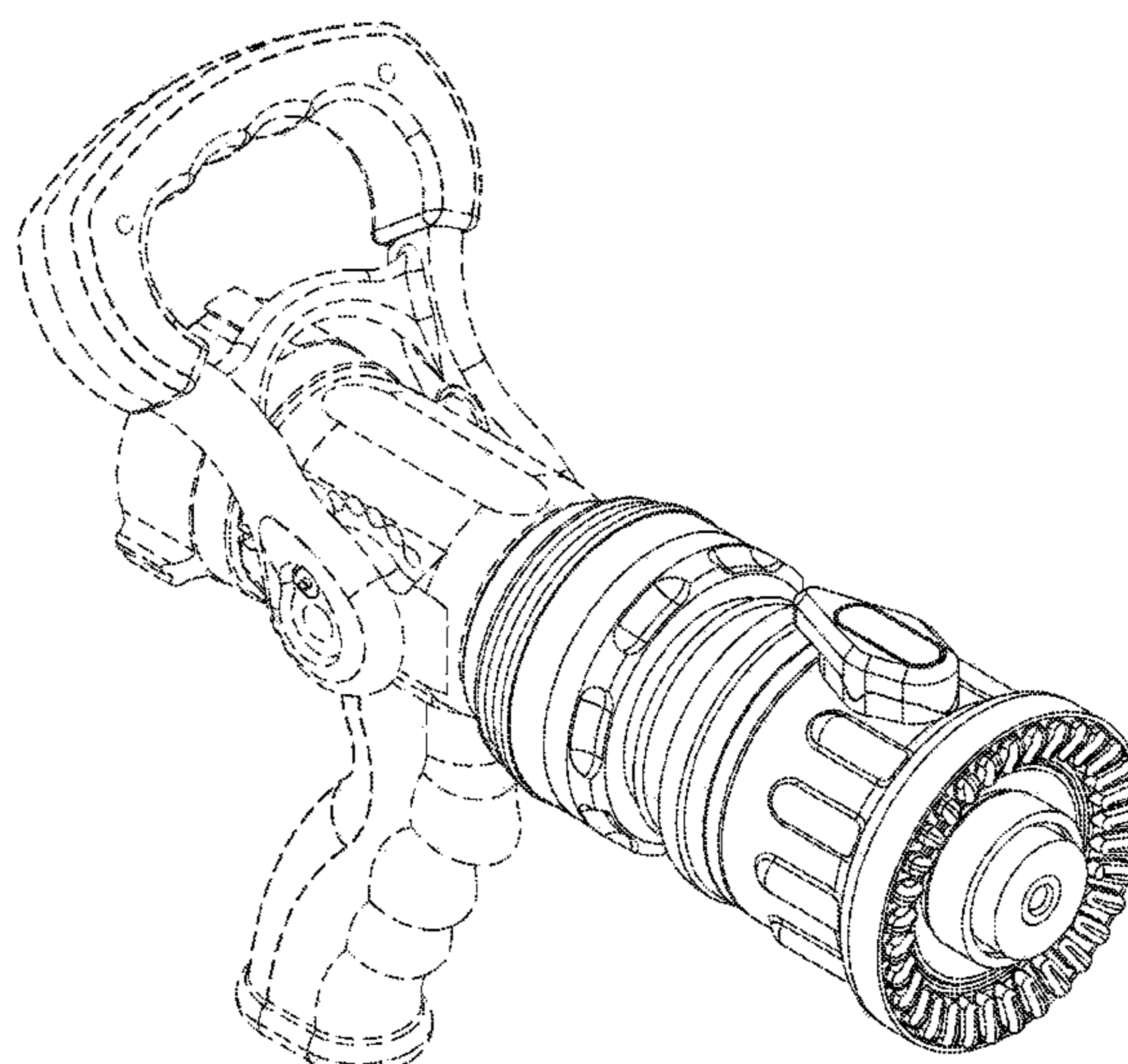
(57) **CLAIM**

The ornamental design for a firefighting nozzle, as shown and described.

DESCRIPTION

FIG. 1 is a front, top and right side isometric view of a firefighting nozzle that has the design.
FIG. 2 is a back, top, and right side view of the firefighting nozzle.
FIG. 3 is right side elevation of the firefighting nozzle.
FIG. 4 is a front elevation of the firefighting nozzle.
FIG. 5 is a left side elevation of the firefighting nozzle.
FIG. 6 is a rear elevation of the firefighting nozzle.
FIG. 7 is a top plan view of the firefighting nozzle; and,
FIG. 8 is a bottom plan view of the firefighting nozzle.
The broken line showing of portions of the firefighting nozzle is for the purpose of illustrating portions of the firefighting nozzle and forms no part of the claimed design.

1 Claim, 8 Drawing Sheets



OTHER PUBLICATIONS

Shilla Fire Co. Ltd., Smoke Extracting Nozzle brochure (publicly available before Jun. 4, 2010) (2 pages).

Task Force Tips, Nozzle brochure (Apr. 1, 2010) (50 pages).

* cited by examiner

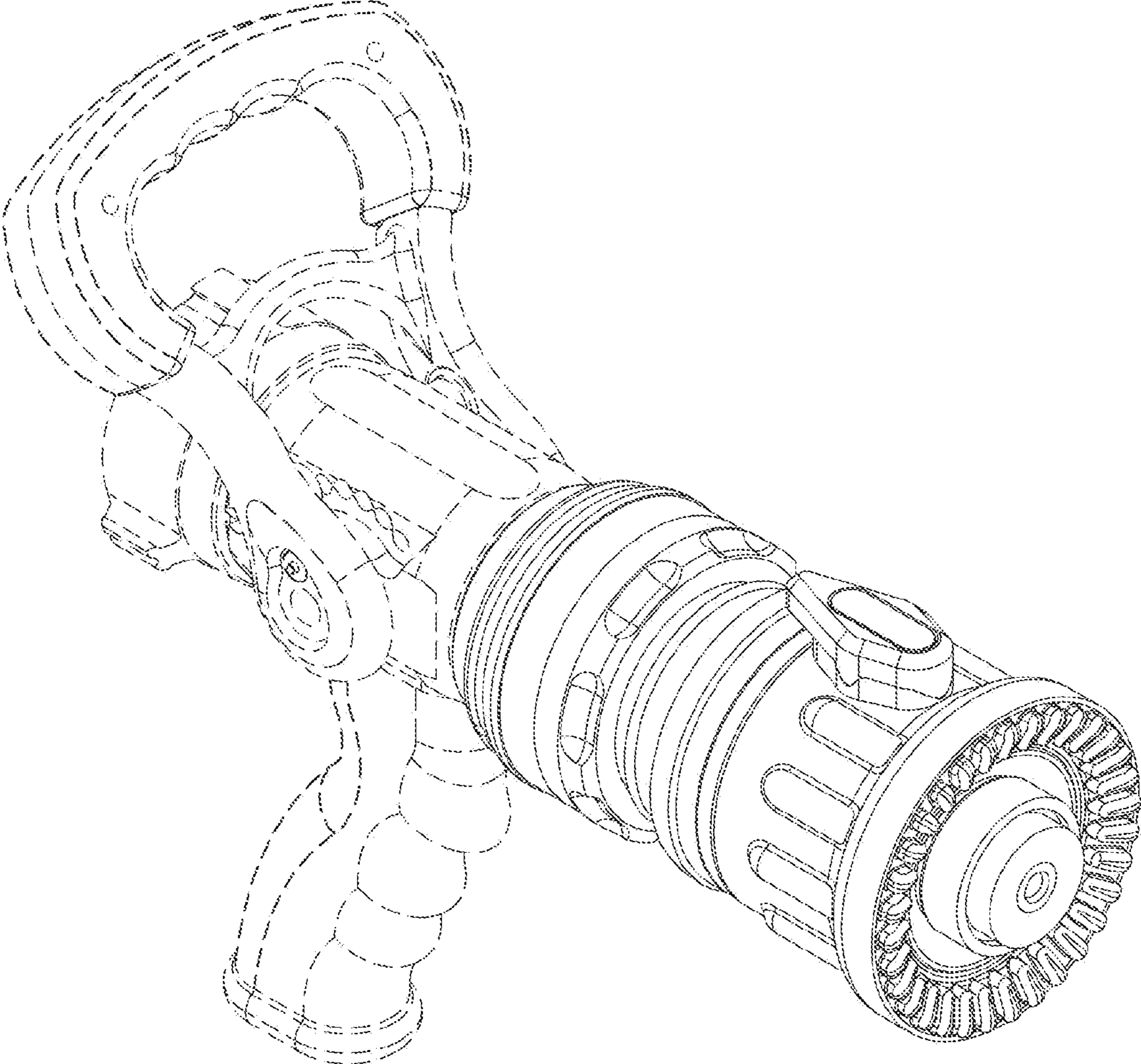


FIG. 1

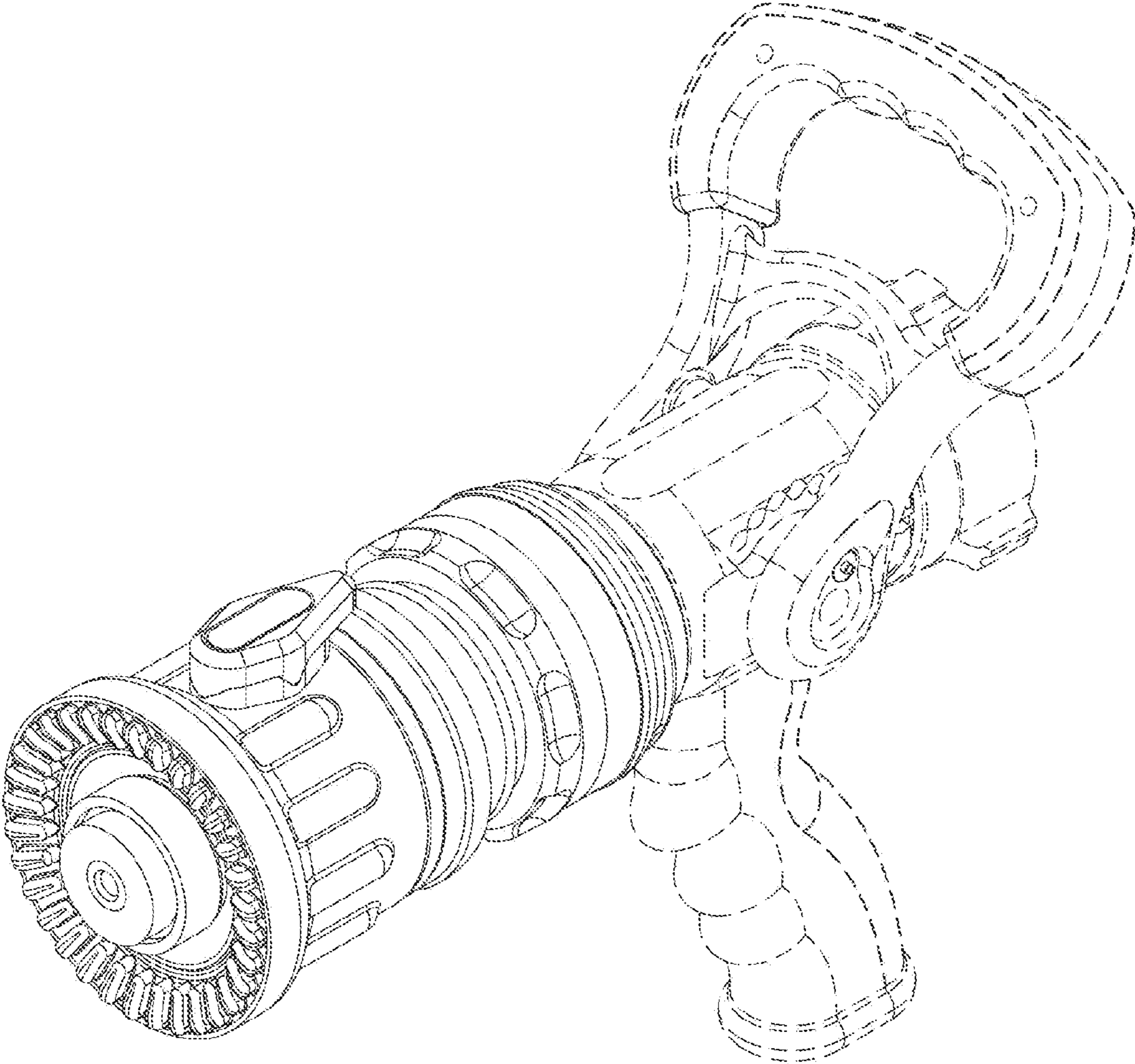


FIG. 2

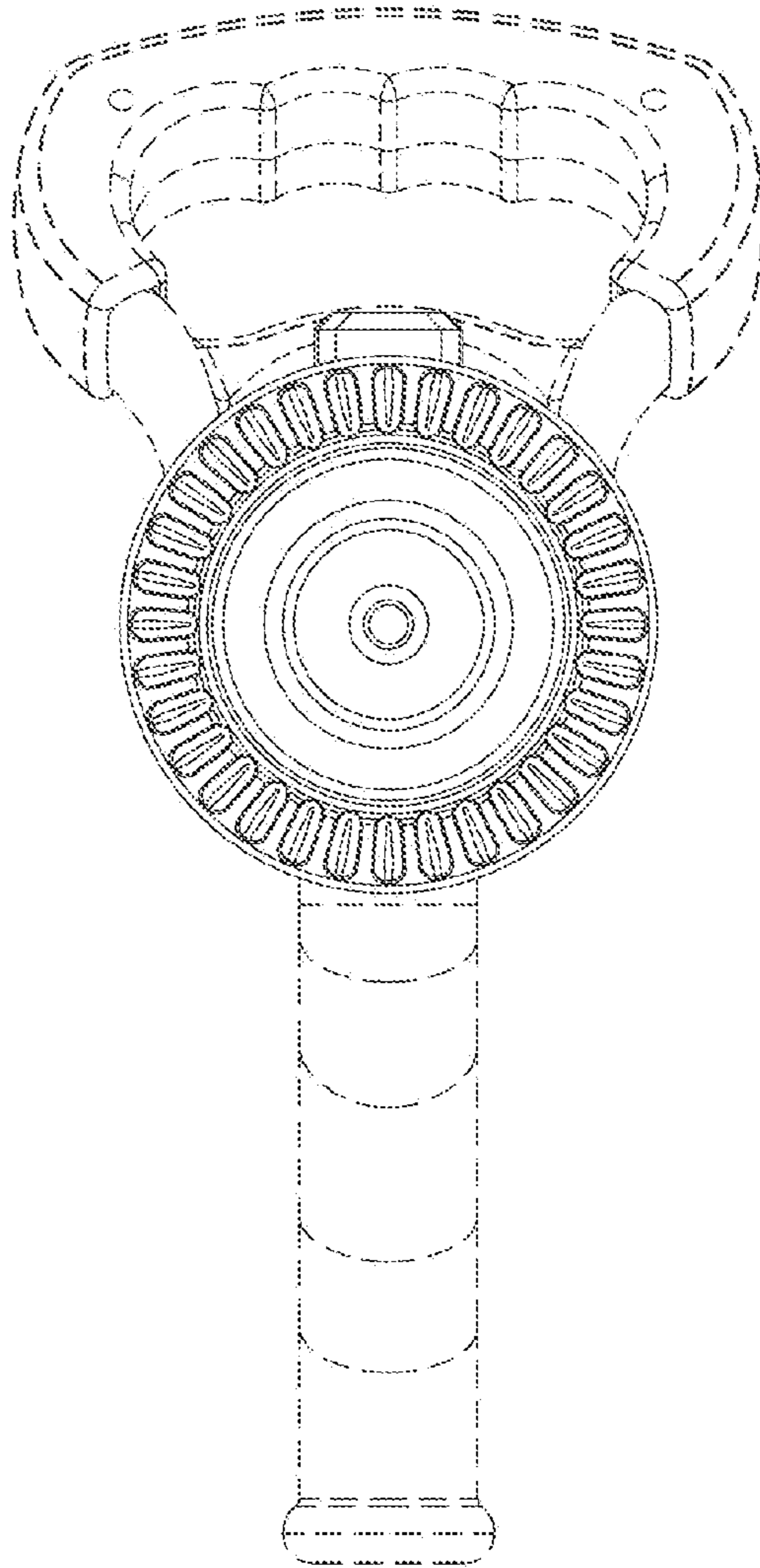


FIG. 3

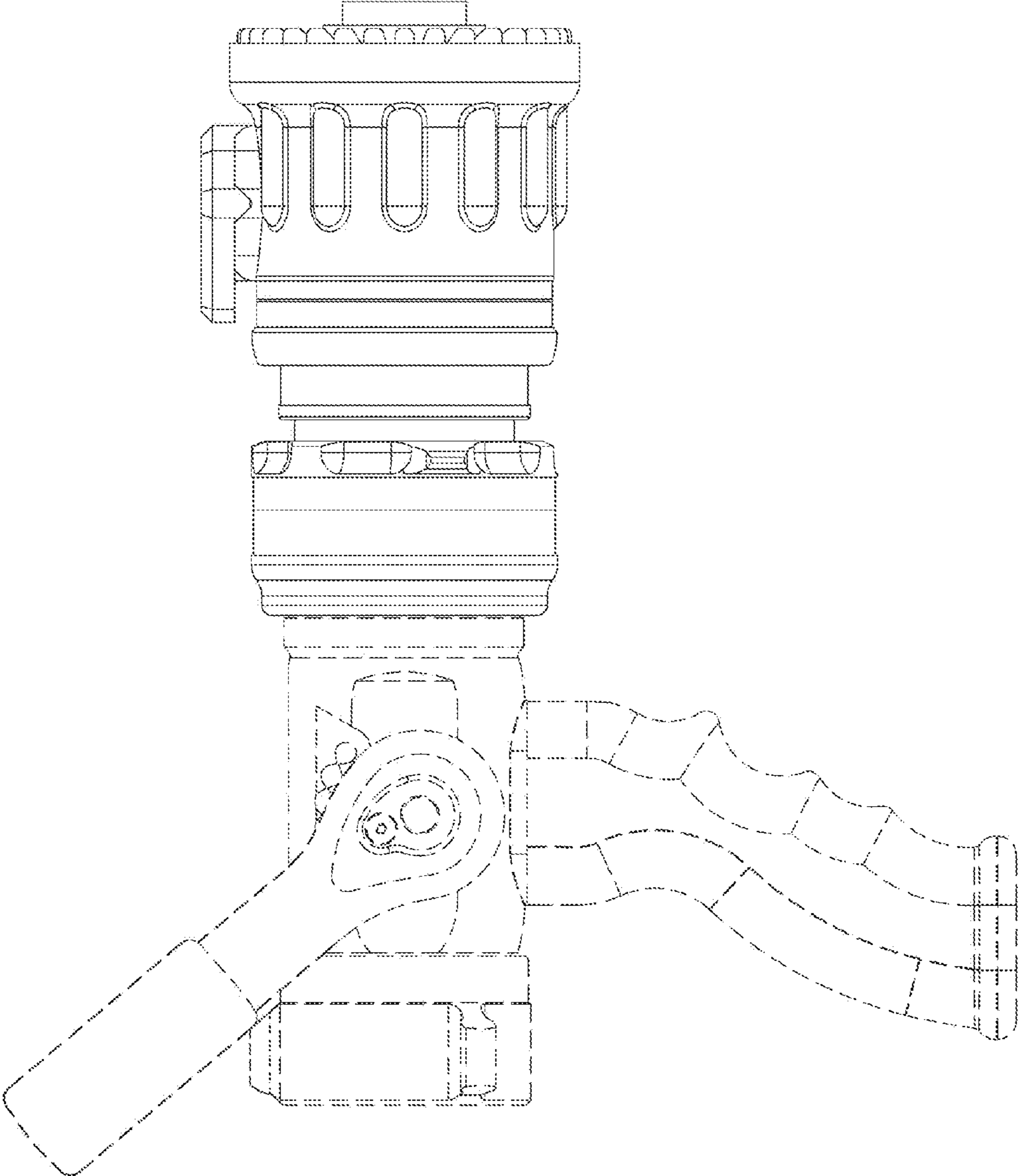


FIG. 4

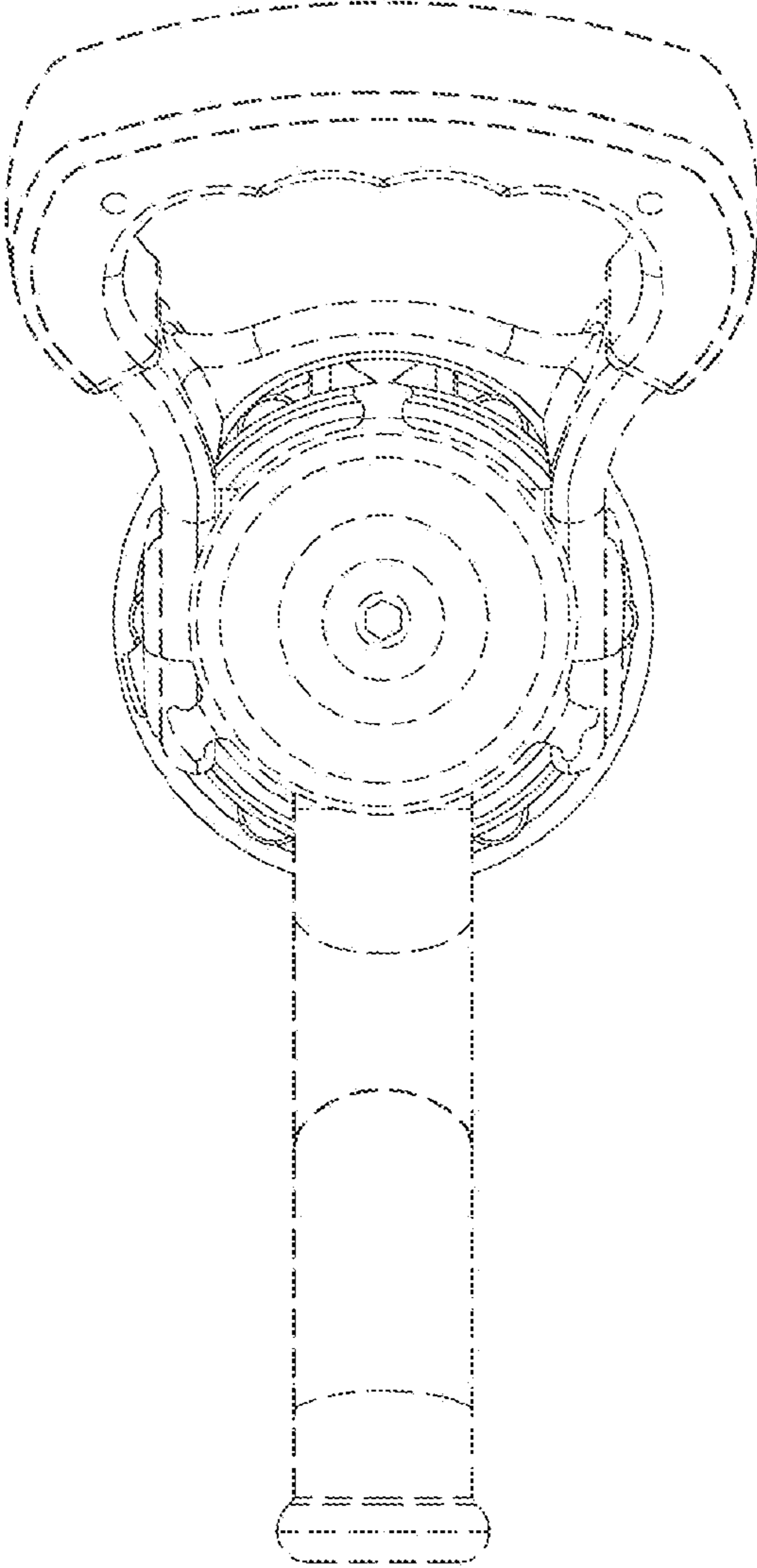


FIG. 5

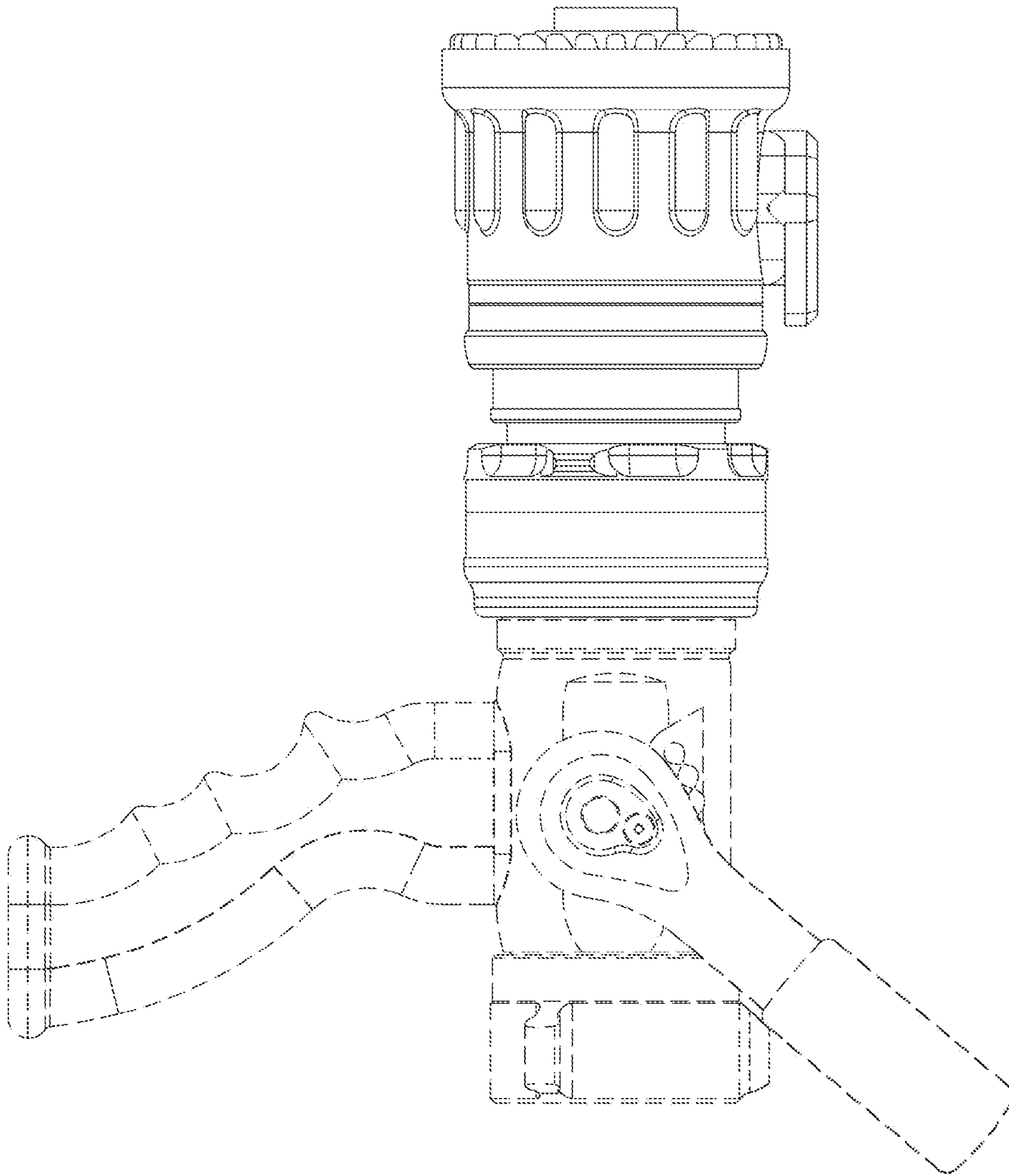


FIG. 6

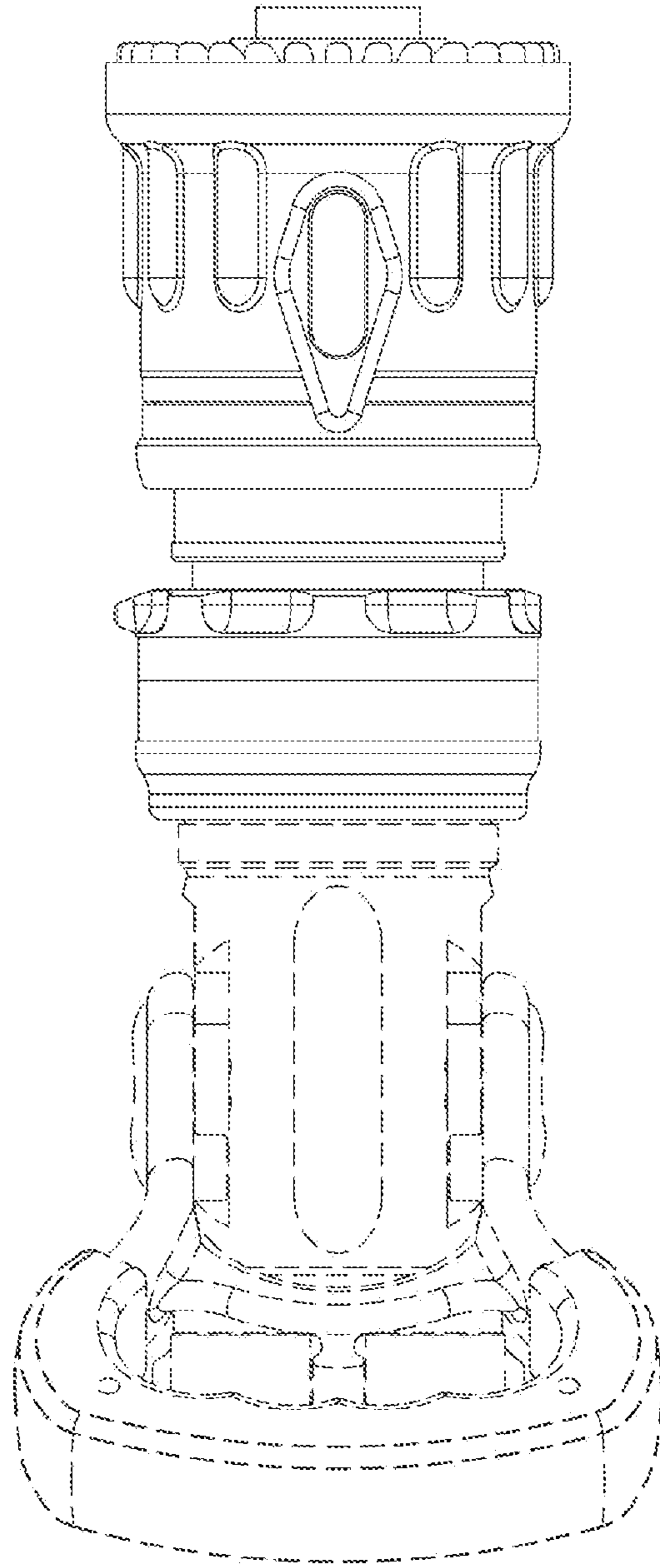


FIG. 7

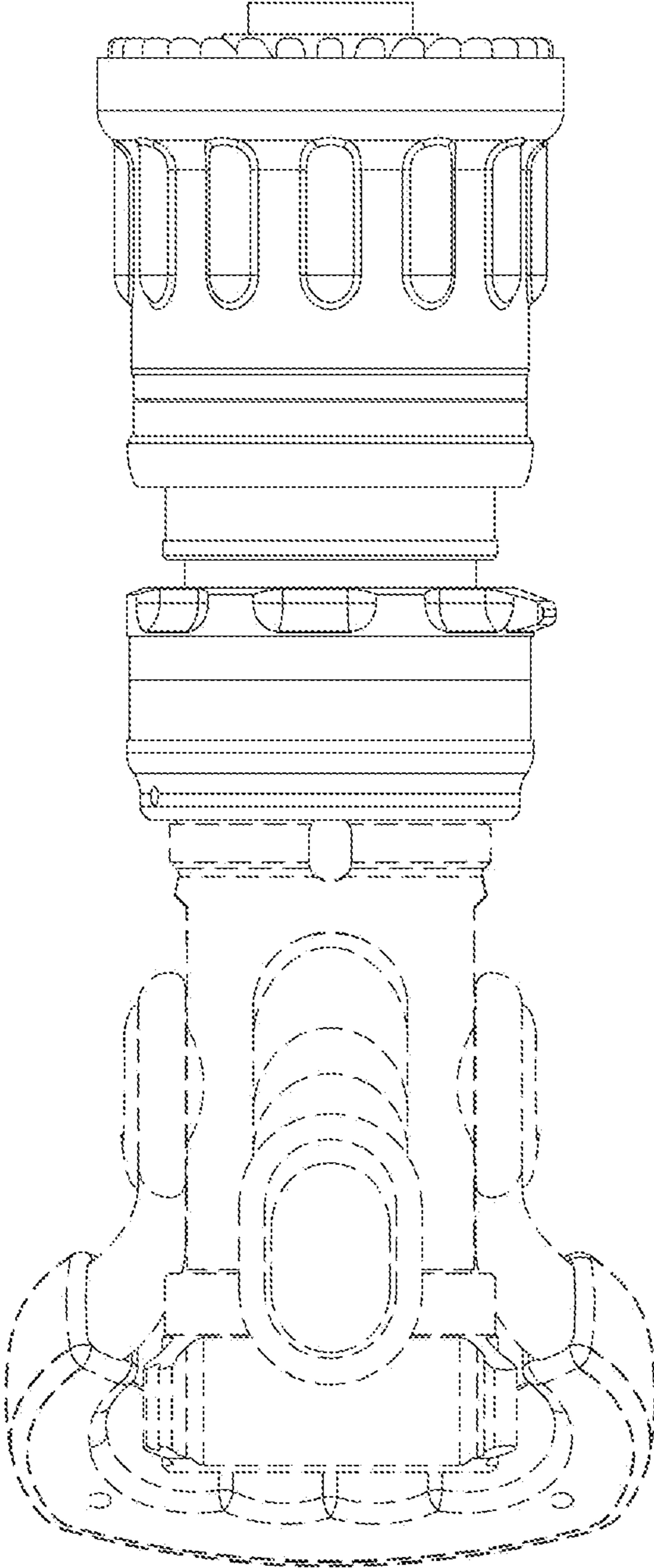


FIG. 8