



US00D640766S

(12) **United States Design Patent**  
**Joplin**

(10) **Patent No.:** **US D640,766 S**

(45) **Date of Patent:** **\*\* Jun. 28, 2011**

(54) **FIREARM TRIGGER GUARD AND  
MAGAZINE RELEASE**

(76) Inventor: **Jered S. Joplin**, Jefferson, GA (US)

(\*\*) Term: **14 Years**

(21) Appl. No.: **29/349,977**

(22) Filed: **May 24, 2010**

(51) **LOC (9) Cl.** ..... **22-01**

(52) **U.S. Cl.** ..... **D22/108**

(58) **Field of Classification Search** ..... D22/100,  
D22/101, 103, 104, 108, 199; D21/572,  
D21/573; 42/51, 71.01, 75.01, 75.02, 90,  
42/94, 134, 136, 139, 125, 72, 111; 362/110;  
89/40.06, 41.19, 37.04, 33.04, 191.01, 200-204;  
124/67, 66, 72, 74

See application file for complete search history.

(56) **References Cited**

**U.S. PATENT DOCUMENTS**

3,964,200 A \* 6/1976 Patterson ..... 42/70.06  
4,283,873 A \* 8/1981 McIntyre ..... 42/45  
5,664,355 A \* 9/1997 Ronkainen ..... 42/18

5,718,074 A \* 2/1998 Keeney ..... 42/69.03  
2005/0183317 A1 \* 8/2005 Finn ..... 42/72  
2009/0288324 A1 \* 11/2009 Peterson et al. .... 42/75.03  
2010/0162605 A1 \* 7/2010 Laney et al. .... 42/25

\* cited by examiner

*Primary Examiner* — T. Chase Nelson

*Assistant Examiner* — Michael A Pratt

(74) *Attorney, Agent, or Firm* — R. Tracy Crump

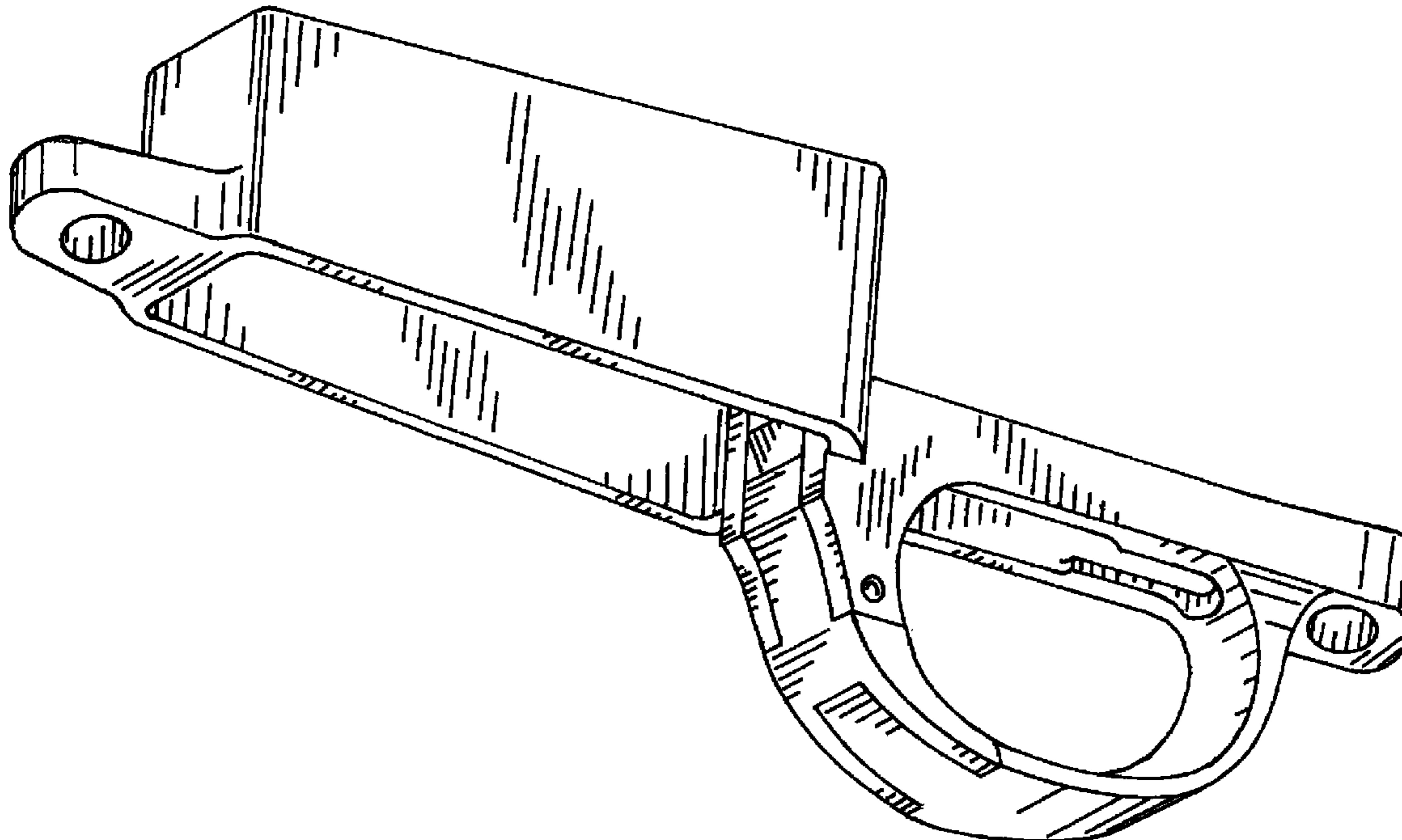
(57) **CLAIM**

I claim the ornamental design of a firearm trigger guard and magazine release, as shown and described.

**DESCRIPTION**

FIG. 1 is a perspective view of the firearm trigger guard and magazine release showing our new design;  
FIG. 2 is a right side view thereof;  
FIG. 3 is a left side view thereof;  
FIG. 4 is a top view thereof;  
FIG. 5 is a bottom view thereof;  
FIG. 6 is a rear view thereof; and,  
FIG. 7 is a front view thereof.

**1 Claim, 4 Drawing Sheets**



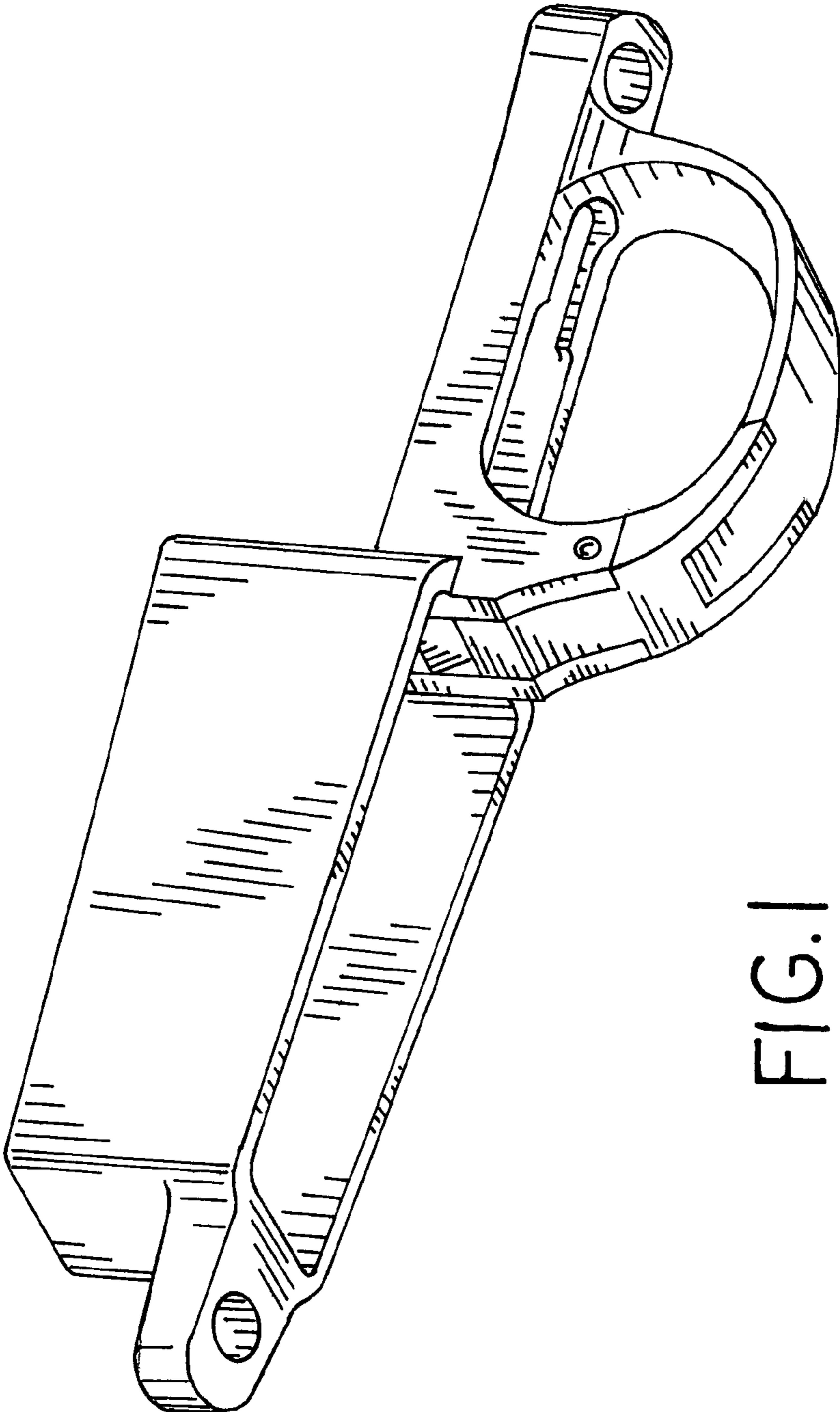


FIG. 1

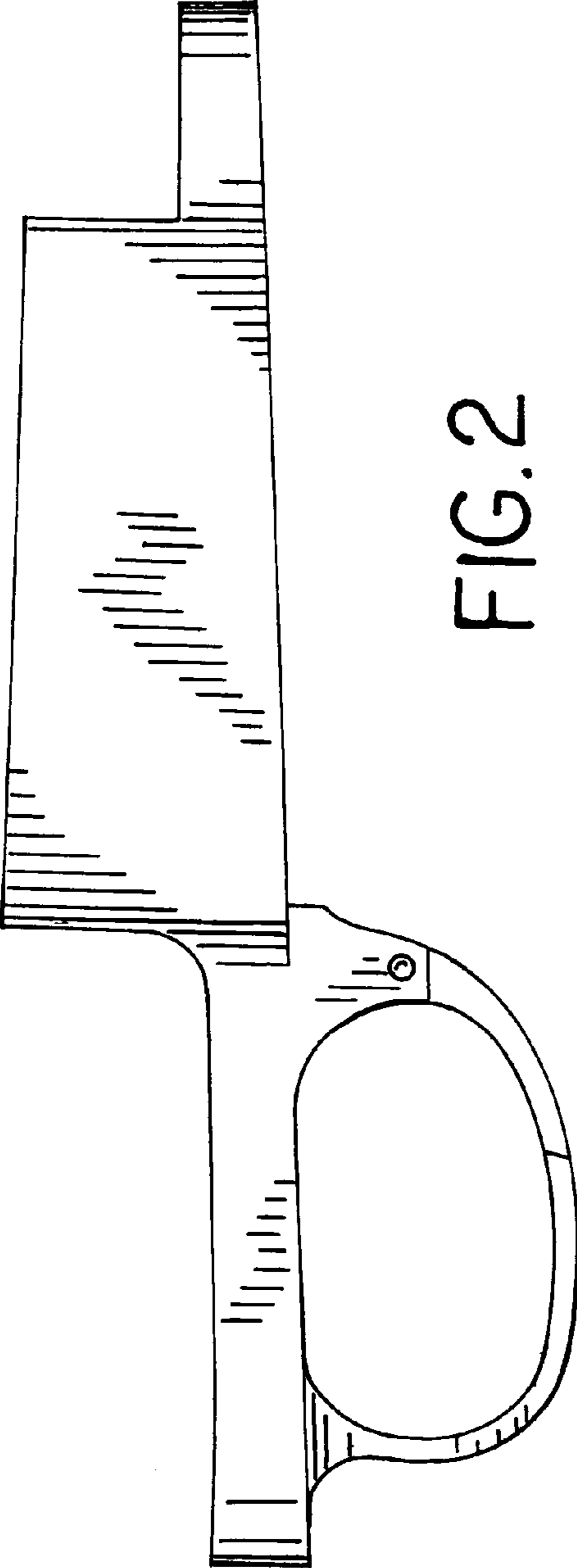


FIG. 2

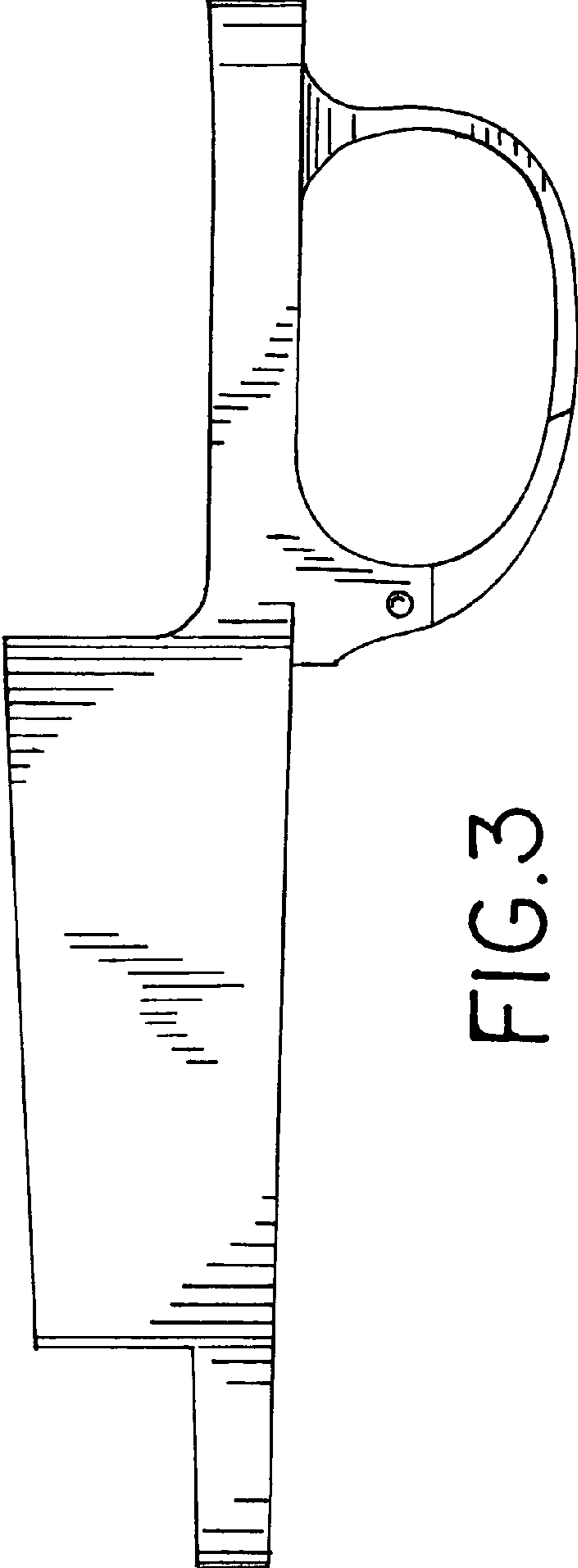


FIG. 3

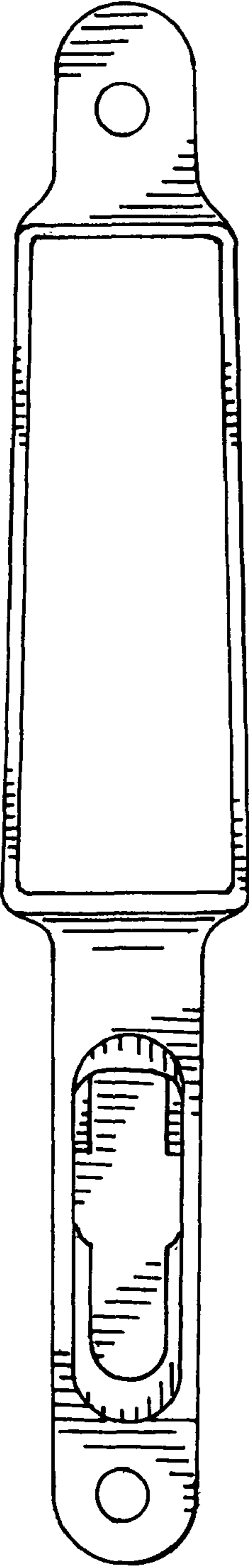


FIG. 4

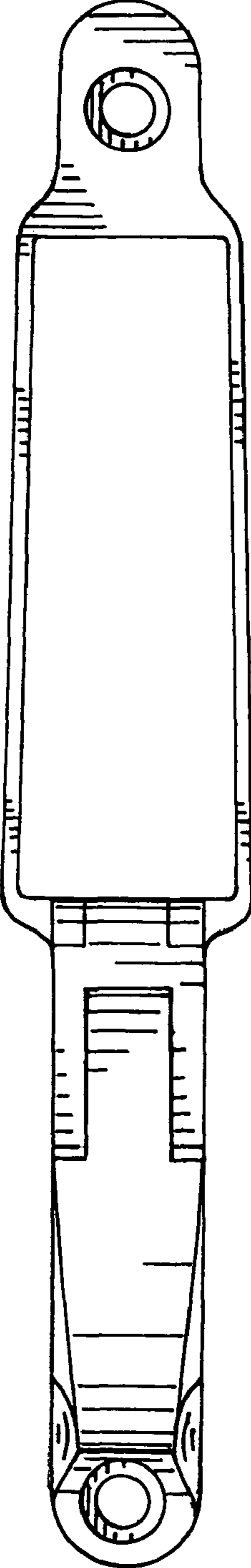


FIG. 5

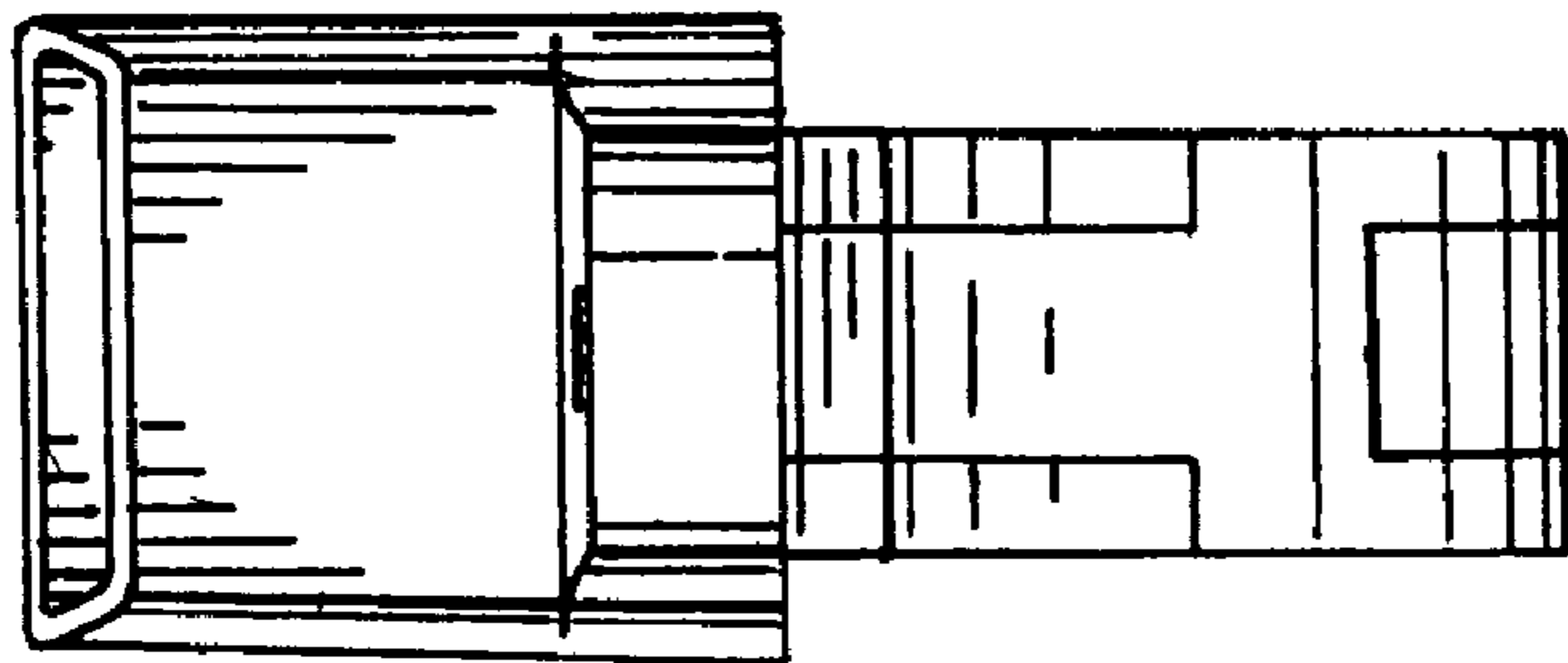


FIG. 7

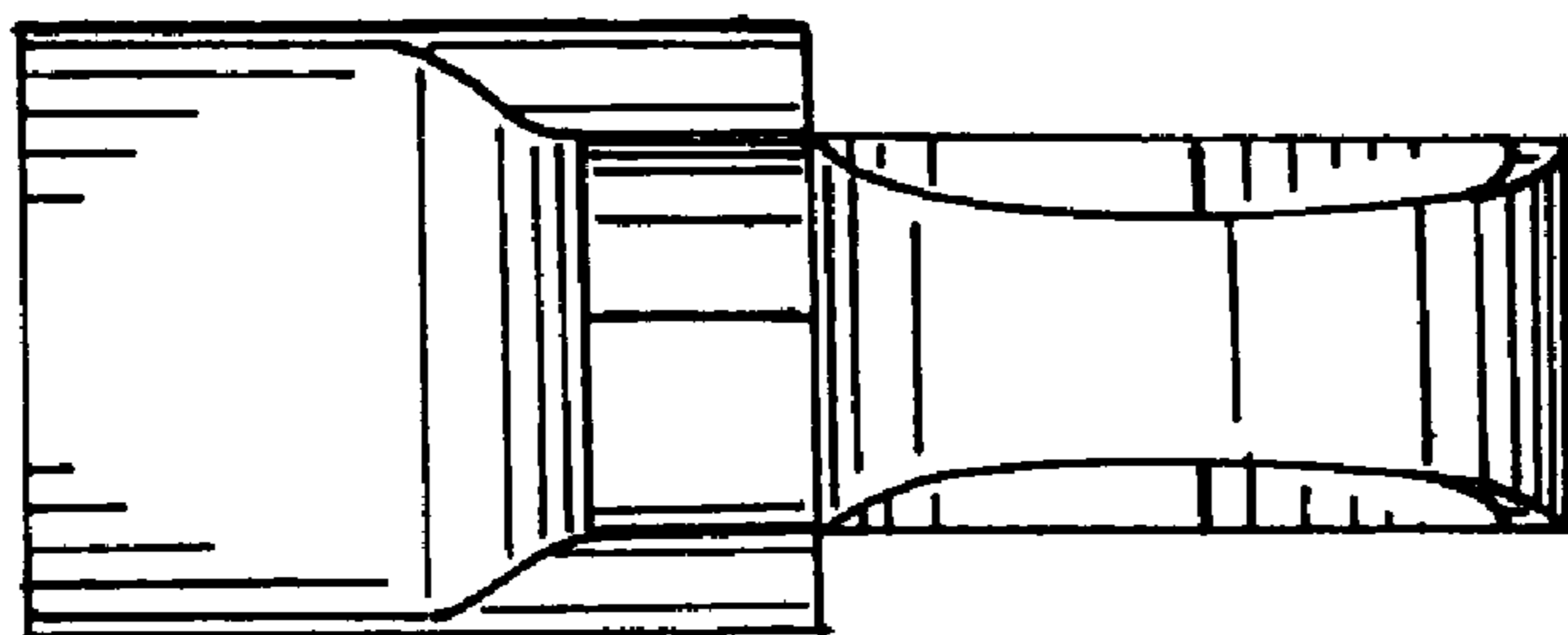


FIG. 6