



US00D640765S

(12) **United States Design Patent**  
**Corradi et al.**

(10) **Patent No.:** **US D640,765 S**  
(45) **Date of Patent:** **\*\* Jun. 28, 2011**

(54) **TENT**

(75) Inventors: **Raffaele Corradi**, Massa Lombarda (IT); **Alessandro Lai**, Bologna (IT); **Fabio Pederzoli**, San Pietro in Casale (IT)

(73) Assignee: **Corradi S.p.A.**, Bologna (IT)

(\*\*) Term: **14 Years**

(21) Appl. No.: **29/371,365**

(22) Filed: **Jan. 18, 2011**

(51) **LOC (9) Cl.** ..... **21-04**

(52) **U.S. Cl.** ..... **D21/837; D25/32; D25/56**

(58) **Field of Classification Search** ..... D21/834,  
D21/837; D25/1, 14-16, 18, 22, 32, 33,  
D25/34, 56, 61; 52/28, 63, 64, 67, 71, 79.4,  
52/80.1, 81.1; 135/91, 117, 454, 132, 139,  
135/143, 157

See application file for complete search history.

(56) **References Cited**

**U.S. PATENT DOCUMENTS**

D179,884 S *	3/1957	Darr	.....	D25/1
D186,656 S	11/1959	Vetere		
2,974,449 A	3/1961	Leeper		
2,988,360 A *	6/1961	Lambiotte	.....	135/157
D193,471 S	8/1962	Baker		
3,084,703 A *	4/1963	Lefebvre et al.	.....	135/91
D222,441 S *	10/1971	Sklaar	.....	D25/1
3,744,195 A *	7/1973	Ferkich	.....	52/63
D232,719 S *	9/1974	Mize et al.	.....	D25/32
D235,337 S *	6/1975	Mize et al.	.....	D25/32
4,012,871 A *	3/1977	Netto et al.	.....	52/79.4
4,062,146 A	12/1977	Grossman et al.		
D249,557 S	9/1978	Barr		
4,242,846 A *	1/1981	Hurd et al.	.....	52/71
D260,059 S	8/1981	Vorwerck		
4,288,949 A *	9/1981	Latimer	.....	52/67
D266,178 S	9/1982	Lotterer		
D280,343 S	8/1985	Schultz		
4,557,310 A	12/1985	Castellaw et al.		
4,584,801 A *	4/1986	Weinberger	.....	52/64
D284,101 S *	6/1986	Latimer	.....	D25/1

D285,972 S *	9/1986	Chambers	.....	D25/33
D293,934 S *	1/1988	Lambert et al.	.....	D25/56
4,741,375 A	5/1988	Milford et al.		
5,080,123 A	1/1992	Stein		
5,107,637 A *	4/1992	Robbins	.....	52/28
D343,688 S *	1/1994	Jason	.....	D25/16
D363,790 S	10/1995	Boyd		
D379,487 S	5/1997	Gale		
D392,243 S	3/1998	Anderson		
5,752,537 A	5/1998	Kranzler		
5,794,679 A	8/1998	Williams et al.		
D421,132 S	2/2000	Chipman et al.		
D443,696 S *	6/2001	French	.....	D25/1
D469,545 S *	1/2003	Omanson	.....	D25/56

(Continued)

*Primary Examiner* — Cynthia M Chin

(74) *Attorney, Agent, or Firm* — Modiano & Associati;  
Albert Josif; Daniel J. O'Byrne

(57) **CLAIM**

The ornamental design for a tent, as shown.

**DESCRIPTION**

FIG. 1 is a front side perspective view from above of the tent showing our new design;

FIG. 2 is a front view thereof;

FIG. 3 is a rear view thereof;

FIG. 4 is a left side view thereof;

FIG. 5 is a top view thereof;

FIG. 6 is a bottom view thereof;

FIG. 7 is a rear side view from above thereof;

FIG. 8 is a front side perspective view from below;

FIG. 9 is a front side perspective view from above of the tent in a second embodiment;

FIG. 10 is a front view thereof;

FIG. 11 is a rear view thereof;

FIG. 12 is a left side view thereof;

FIG. 13 is a top view thereof;

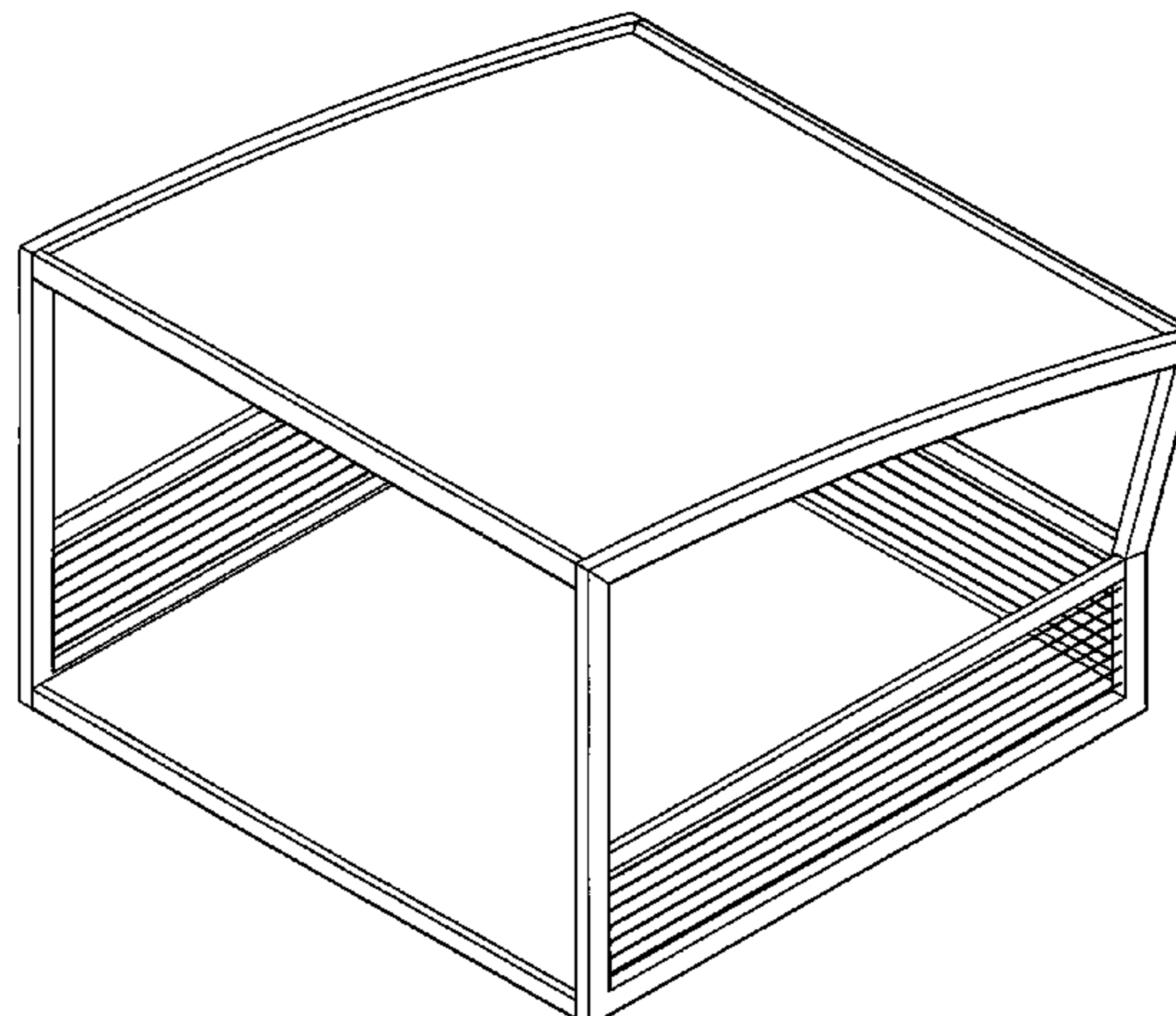
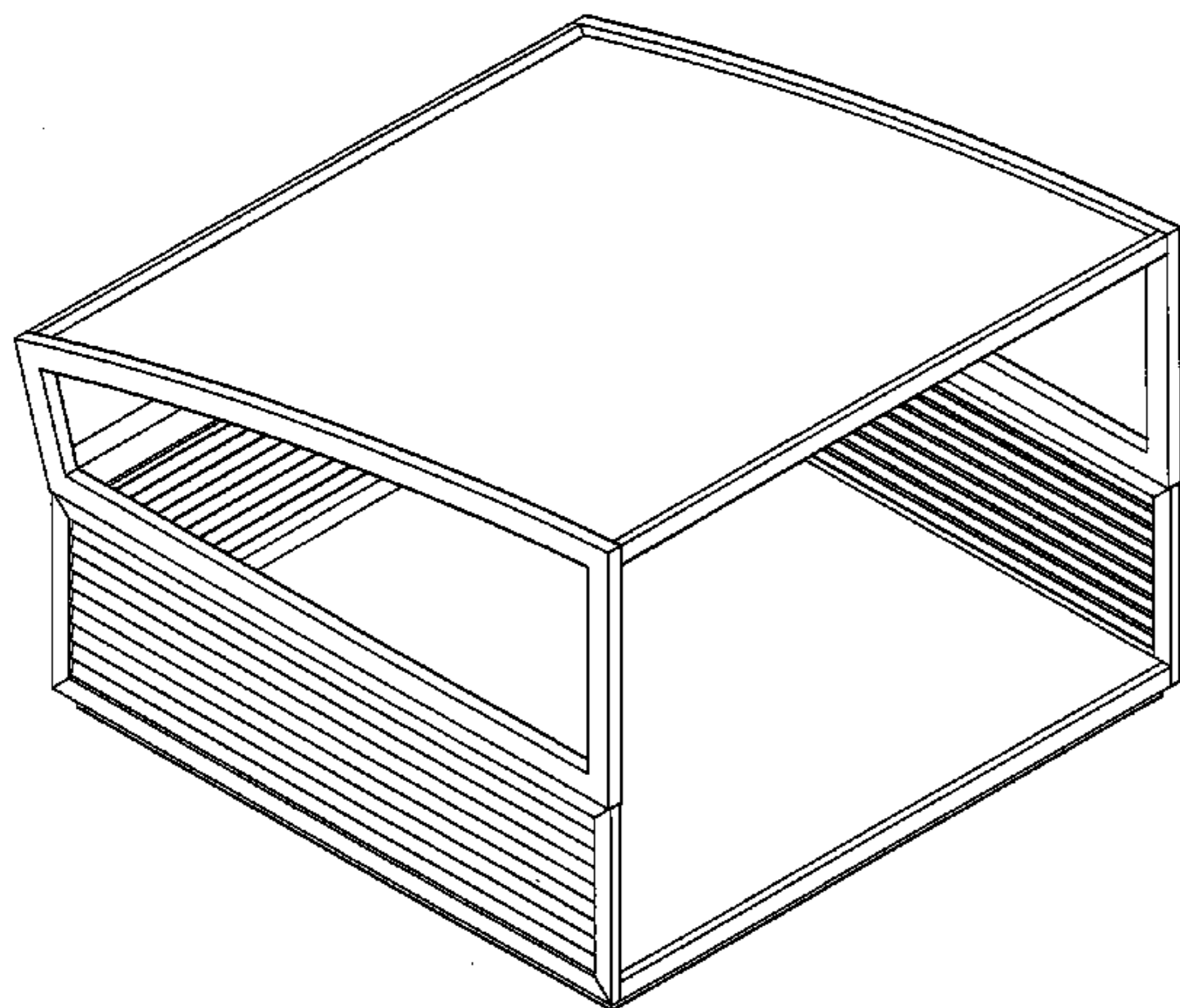
FIG. 14 is a bottom view thereof;

FIG. 15 is a rear side view from above thereof;

FIG. 16 is right side view thereof; and,

FIG. 17 is a front side perspective view from below thereof.

**1 Claim, 17 Drawing Sheets**



# US D640,765 S

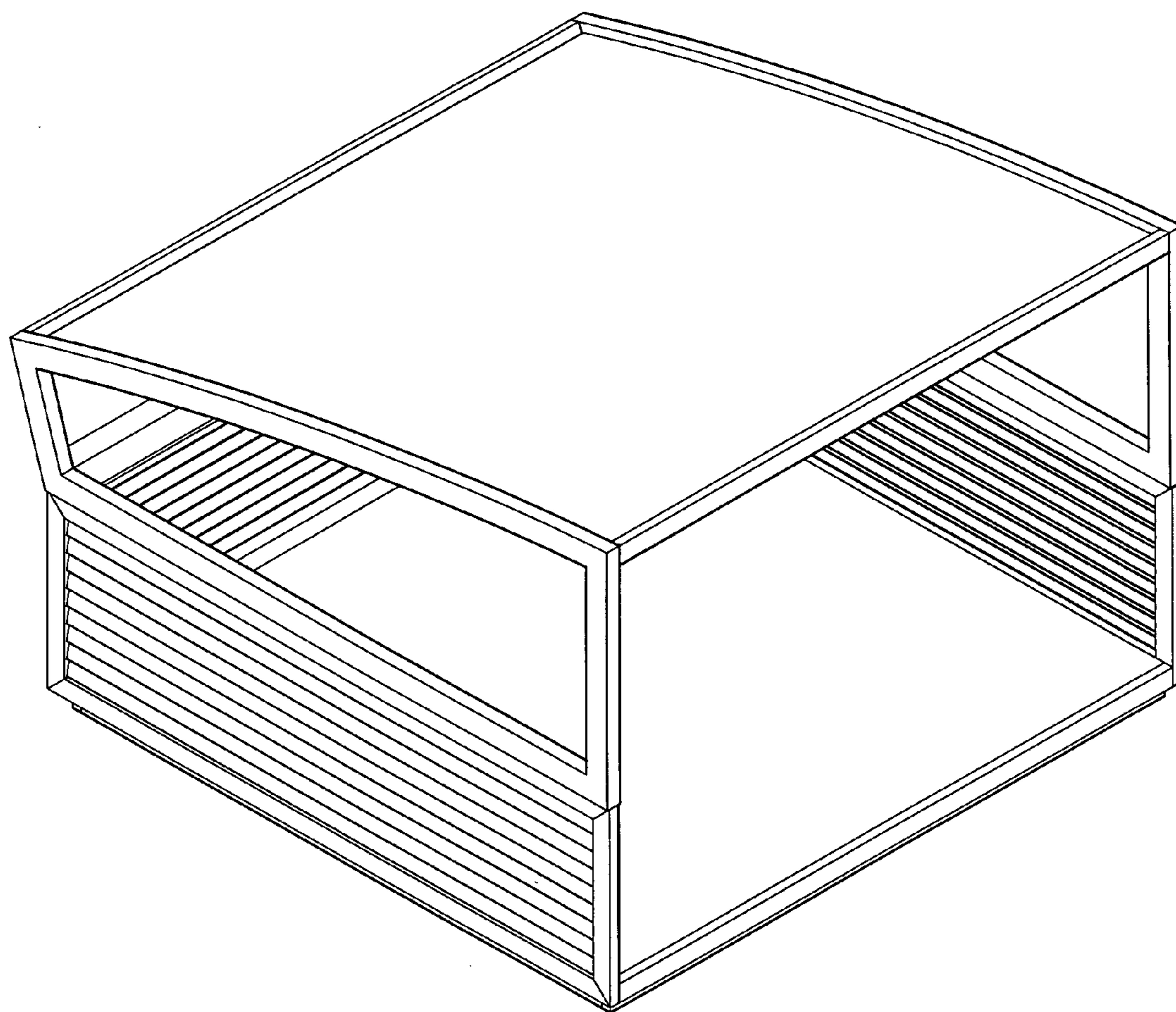
Page 2

---

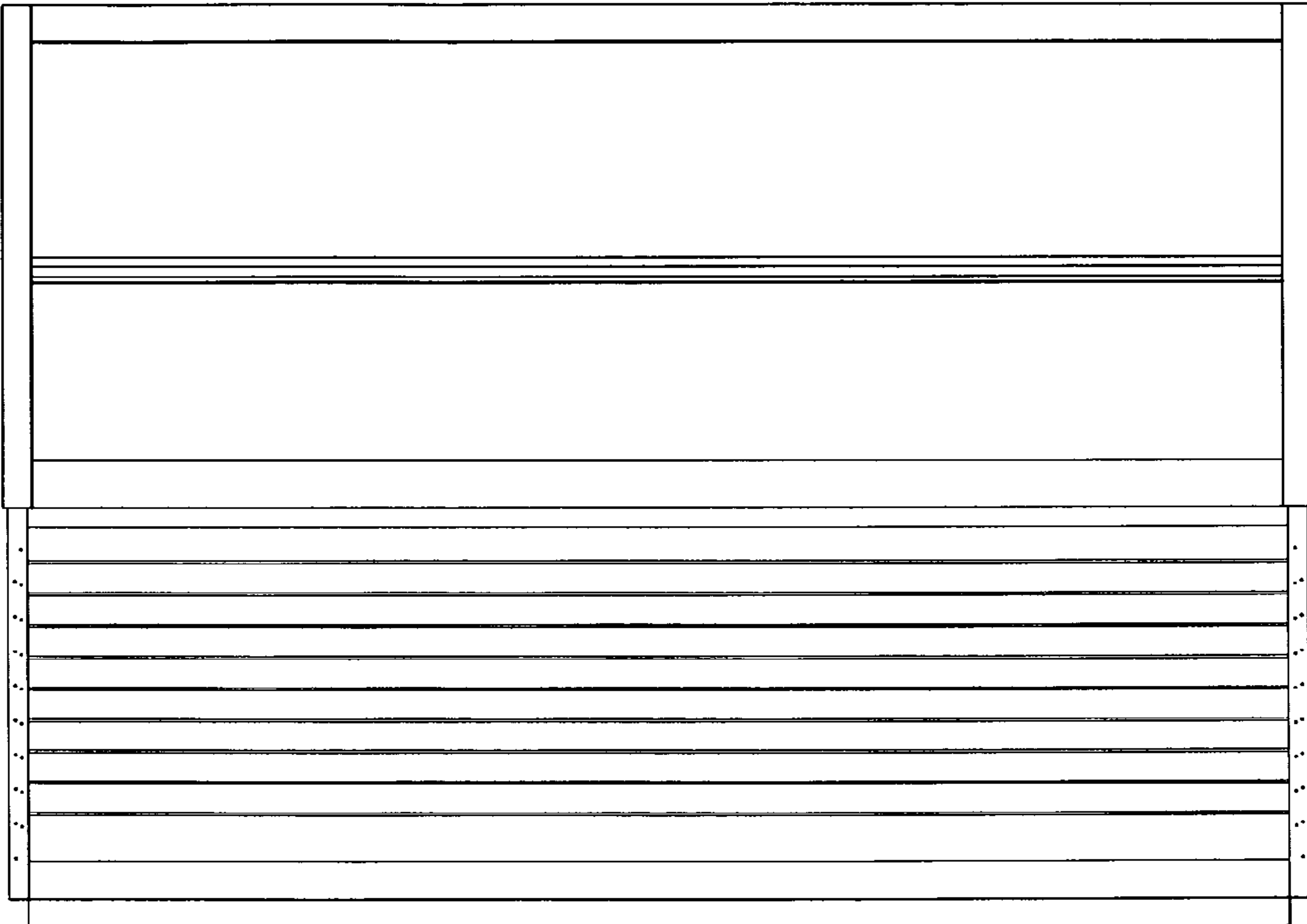
## U.S. PATENT DOCUMENTS

D513,513 S 1/2006 Taber  
D515,106 S 2/2006 Taber  
D562,426 S 2/2008 Goldsmith et al.

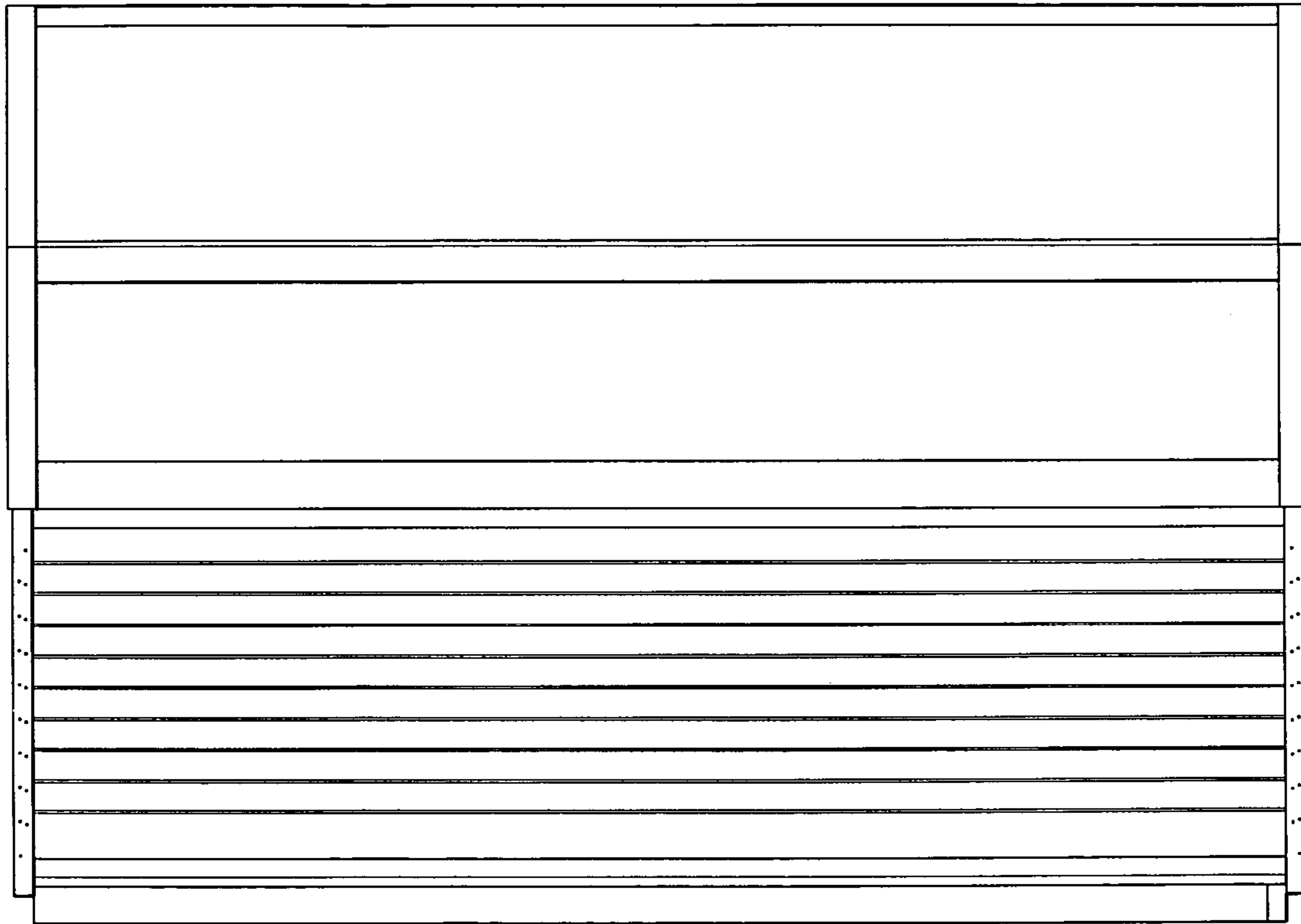
D599,873 S 9/2009 Dalland et al.  
D625,025 S \* 10/2010 Colmore-Williams ..... D25/56  
2008/0041431 A1 2/2008 Tung  
\* cited by examiner



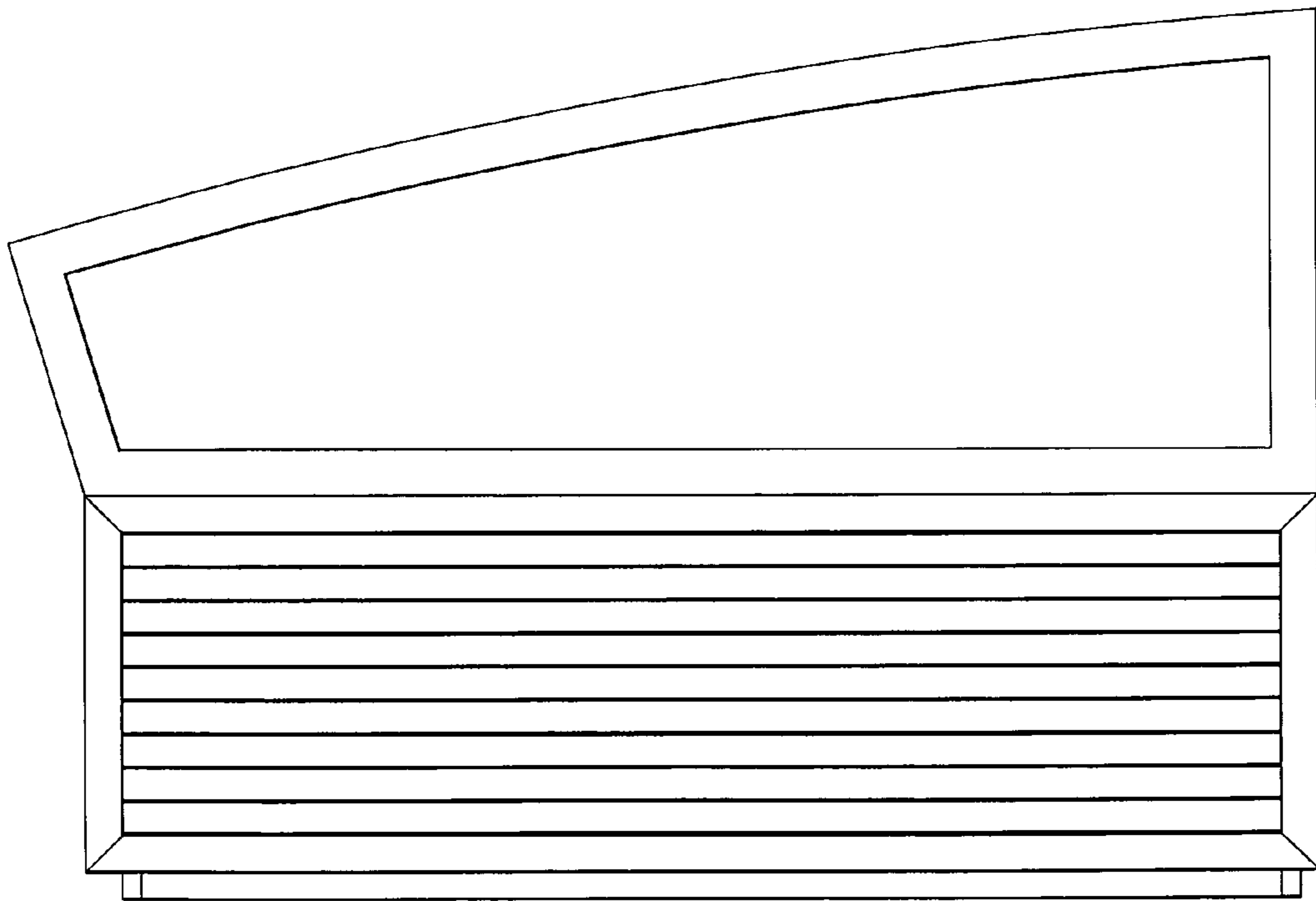
*Fig. 1*



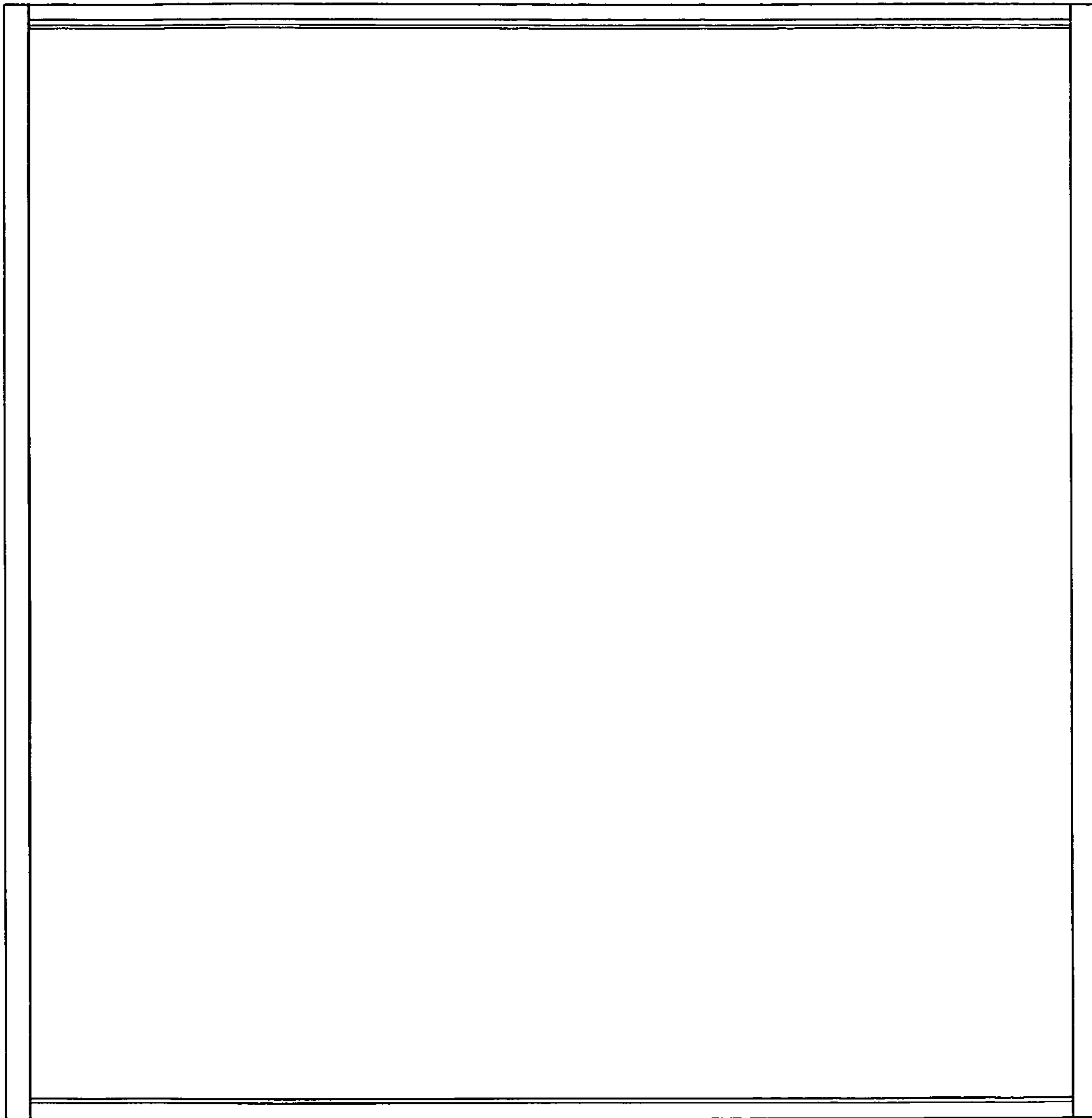
*Fig. 2*



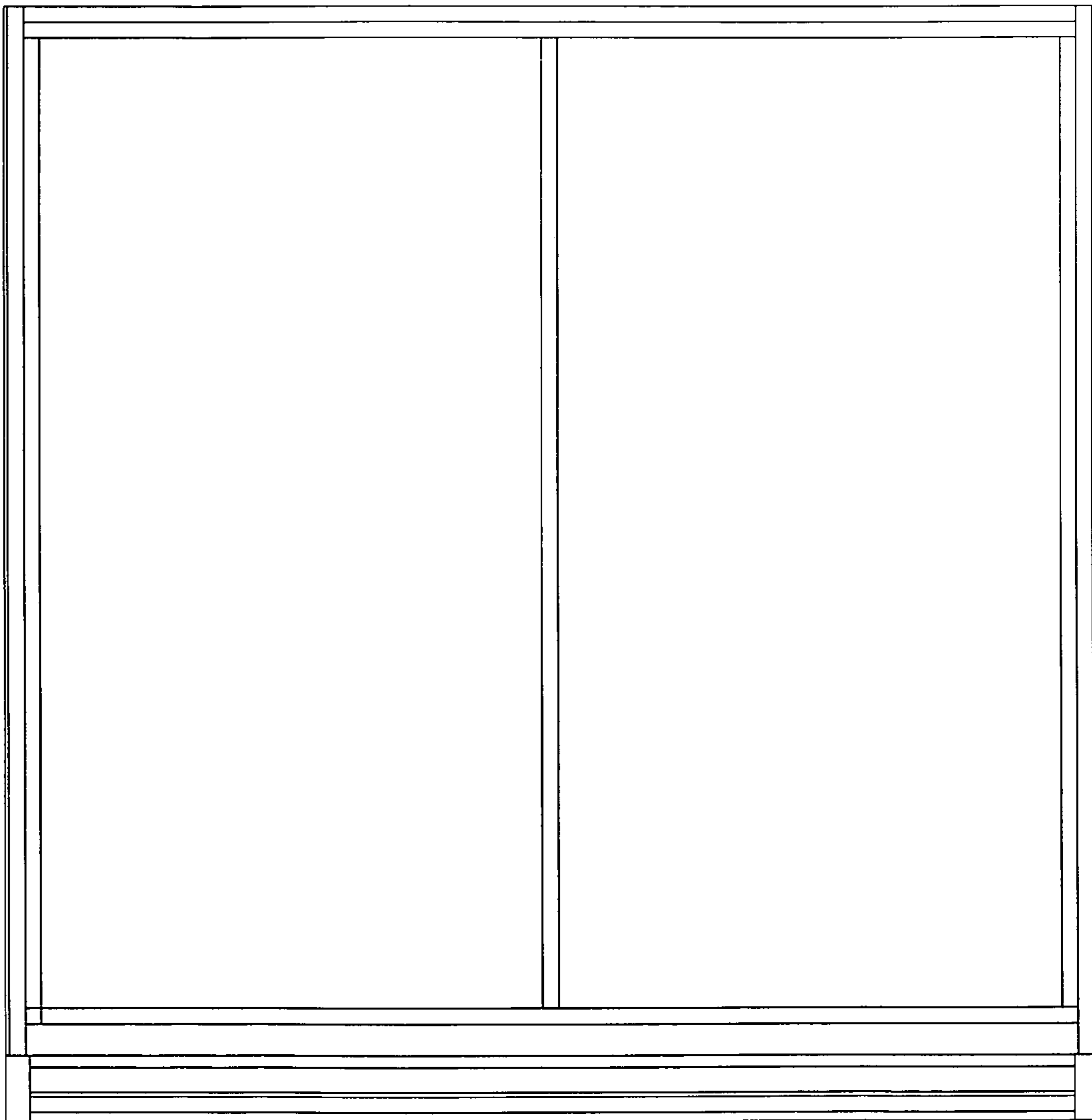
*Fig. 3*



*Fig. 4*

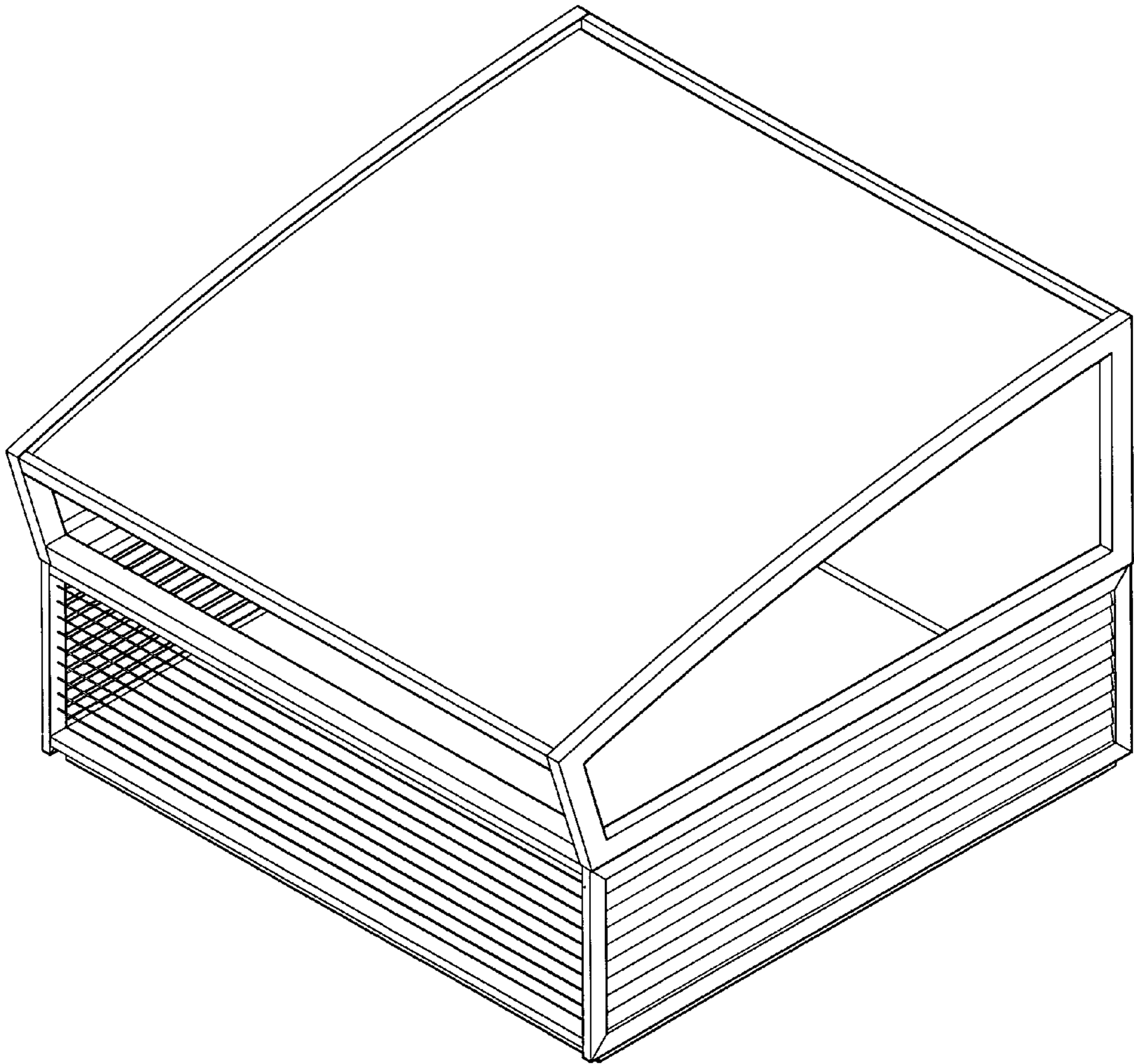


*Fig. 5*

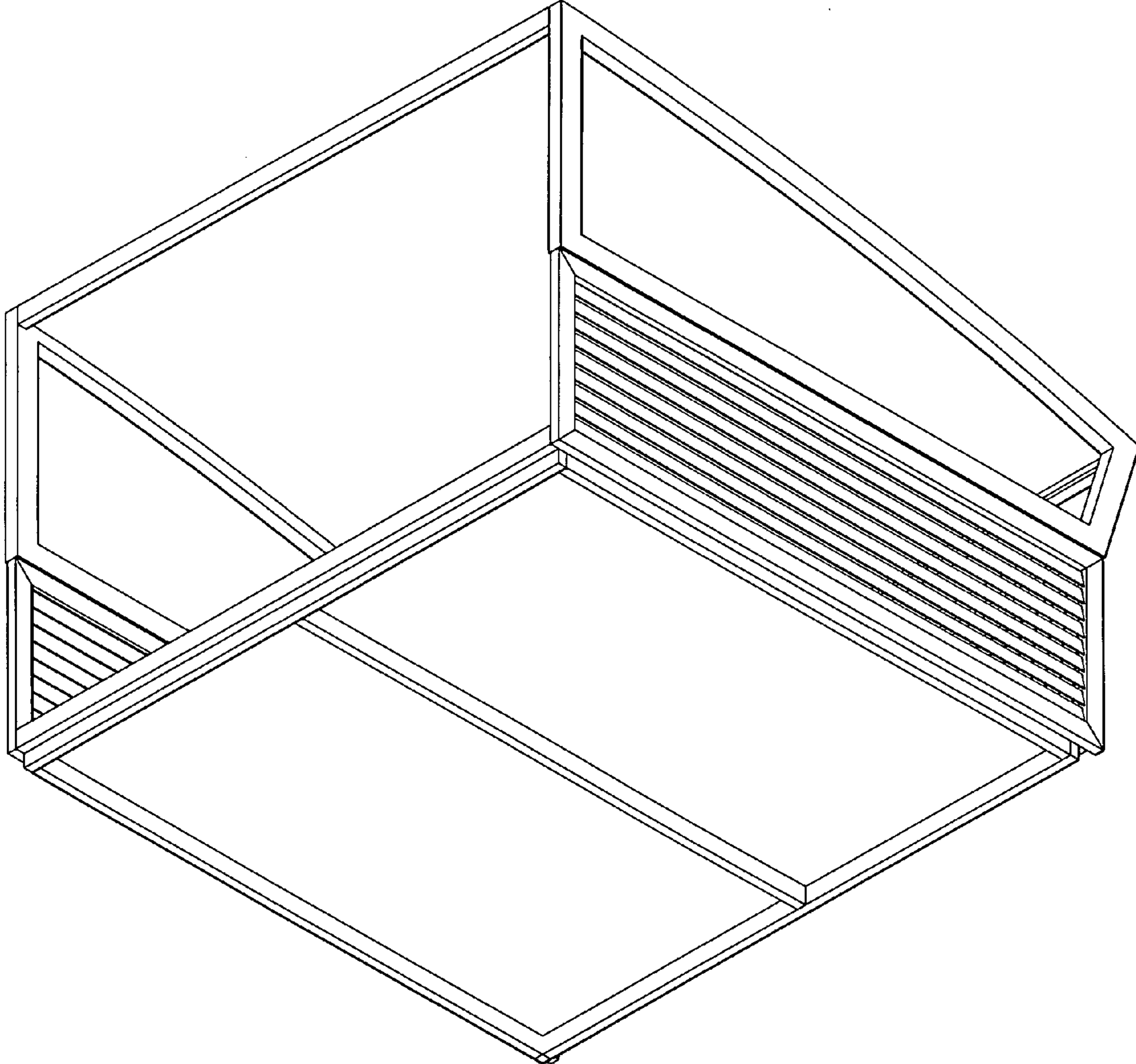


*Fig. 6*

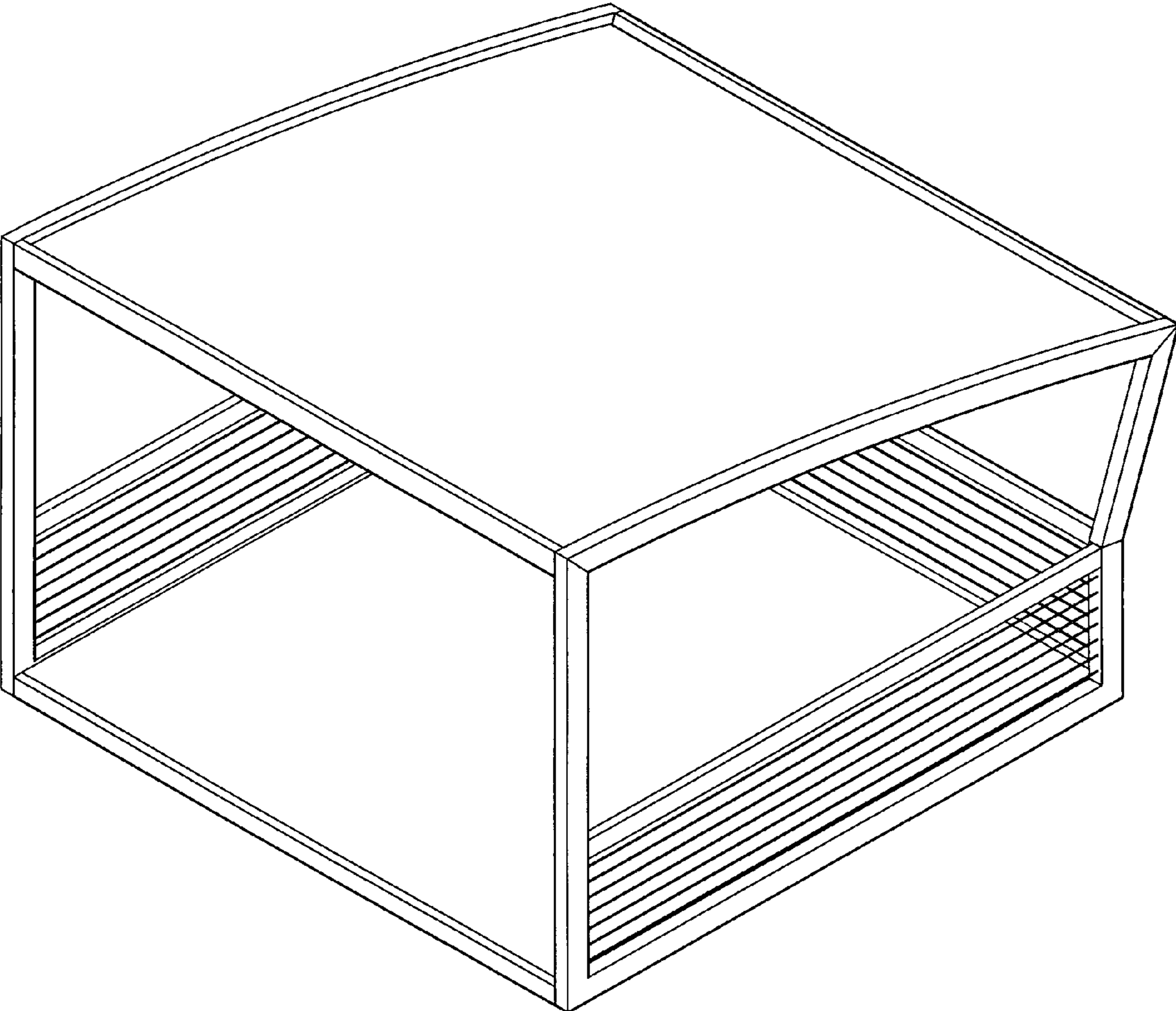




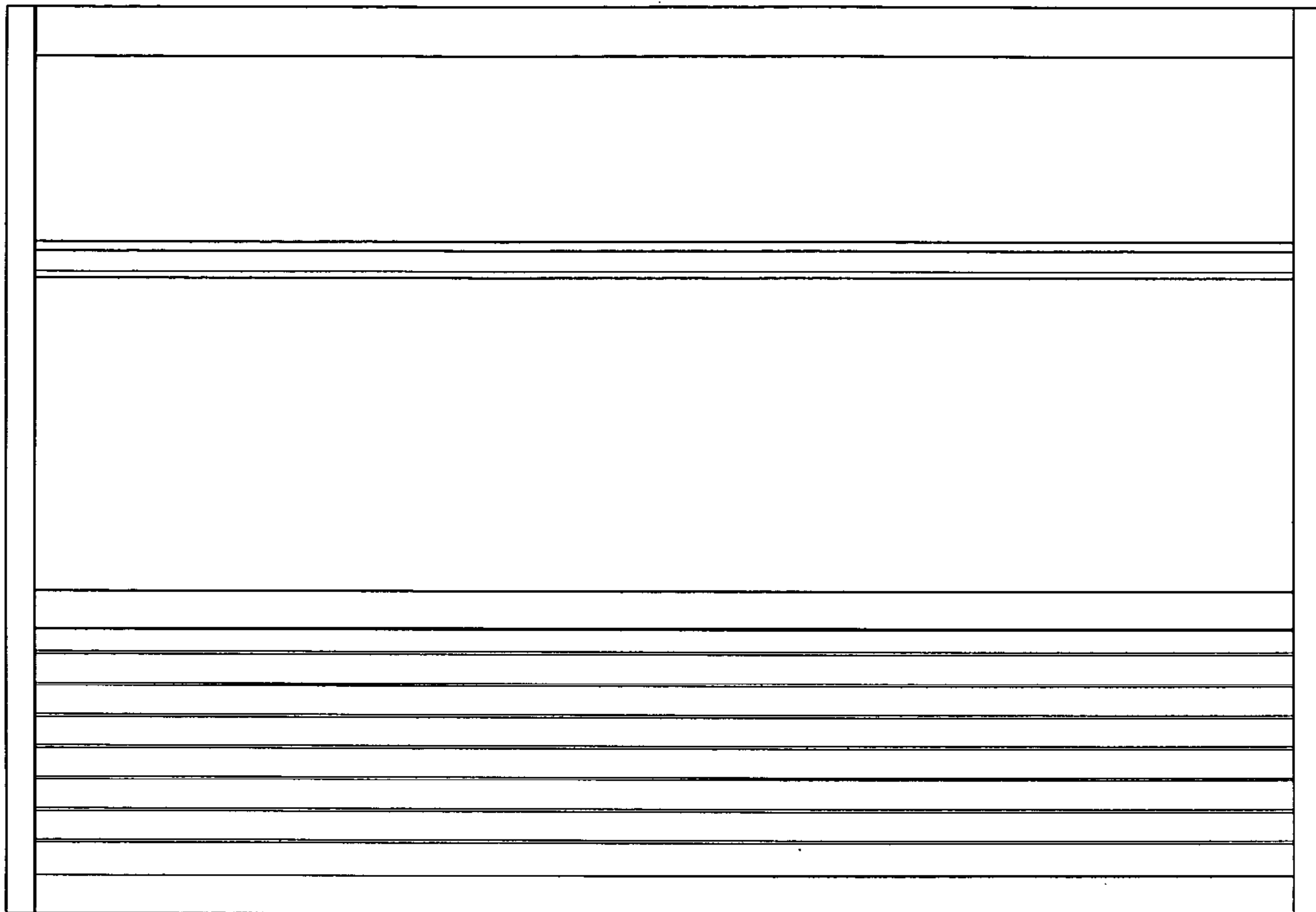
*Fig. 7*



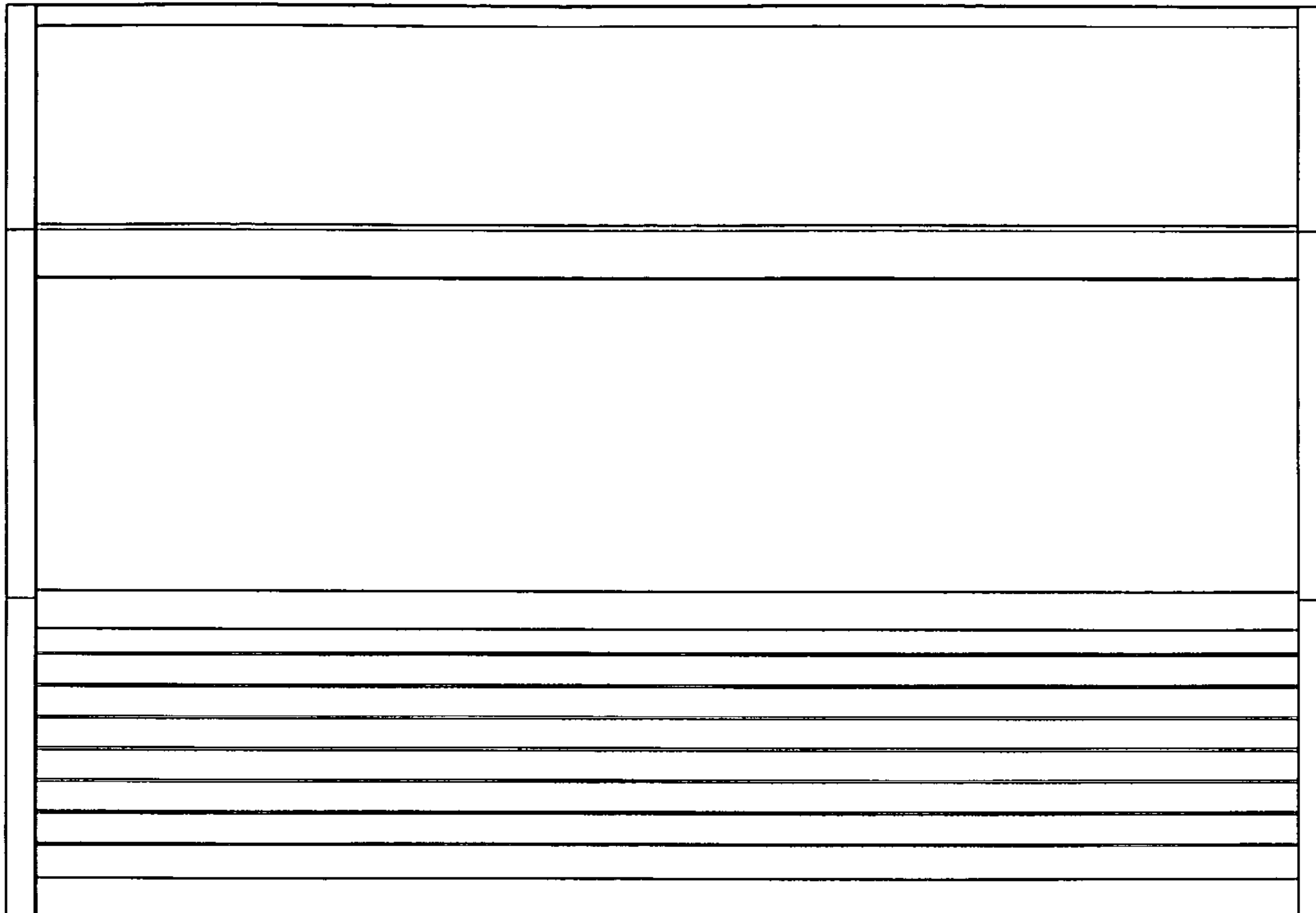
*Fig. 8*



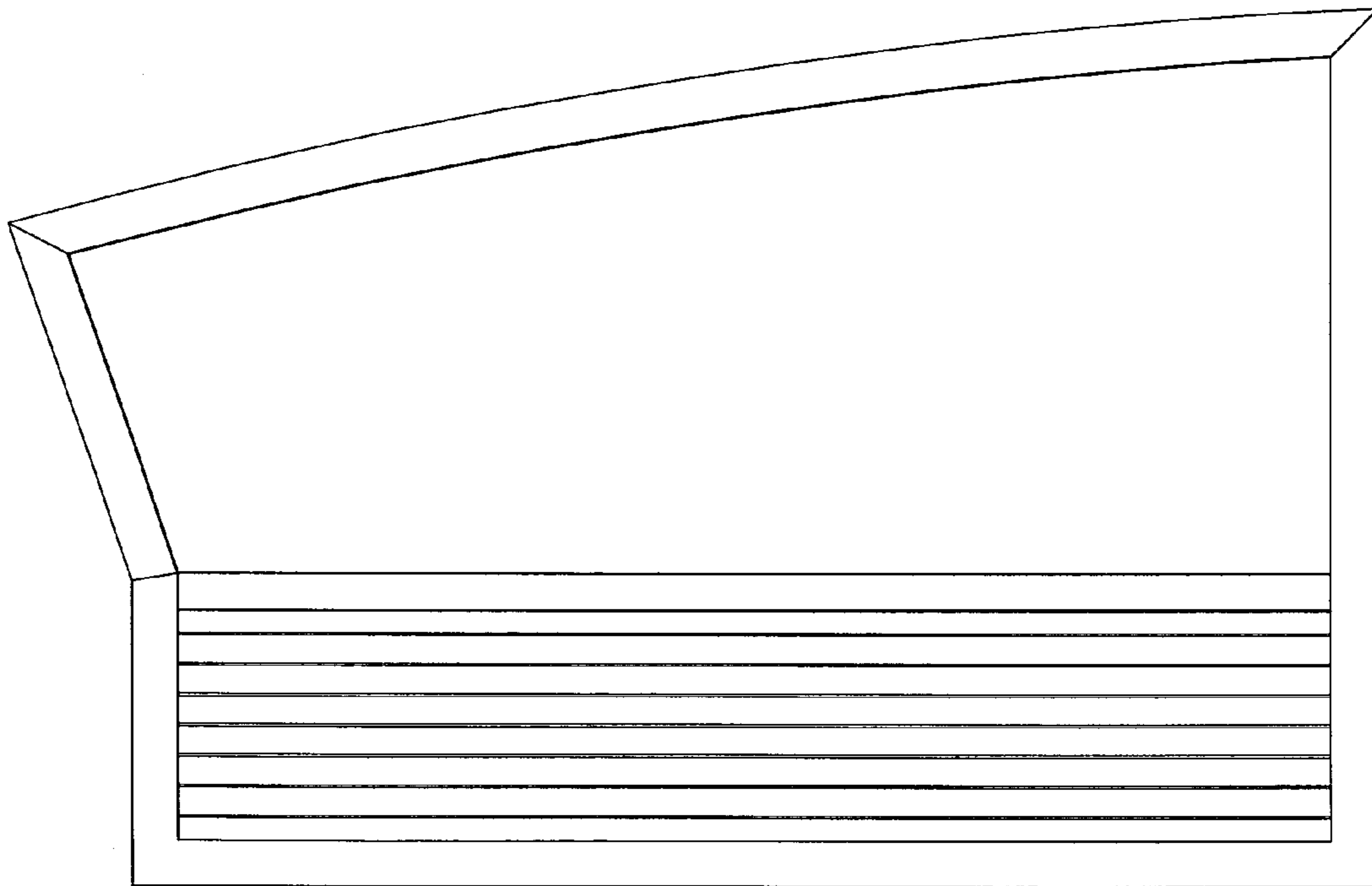
*Fig. 9*



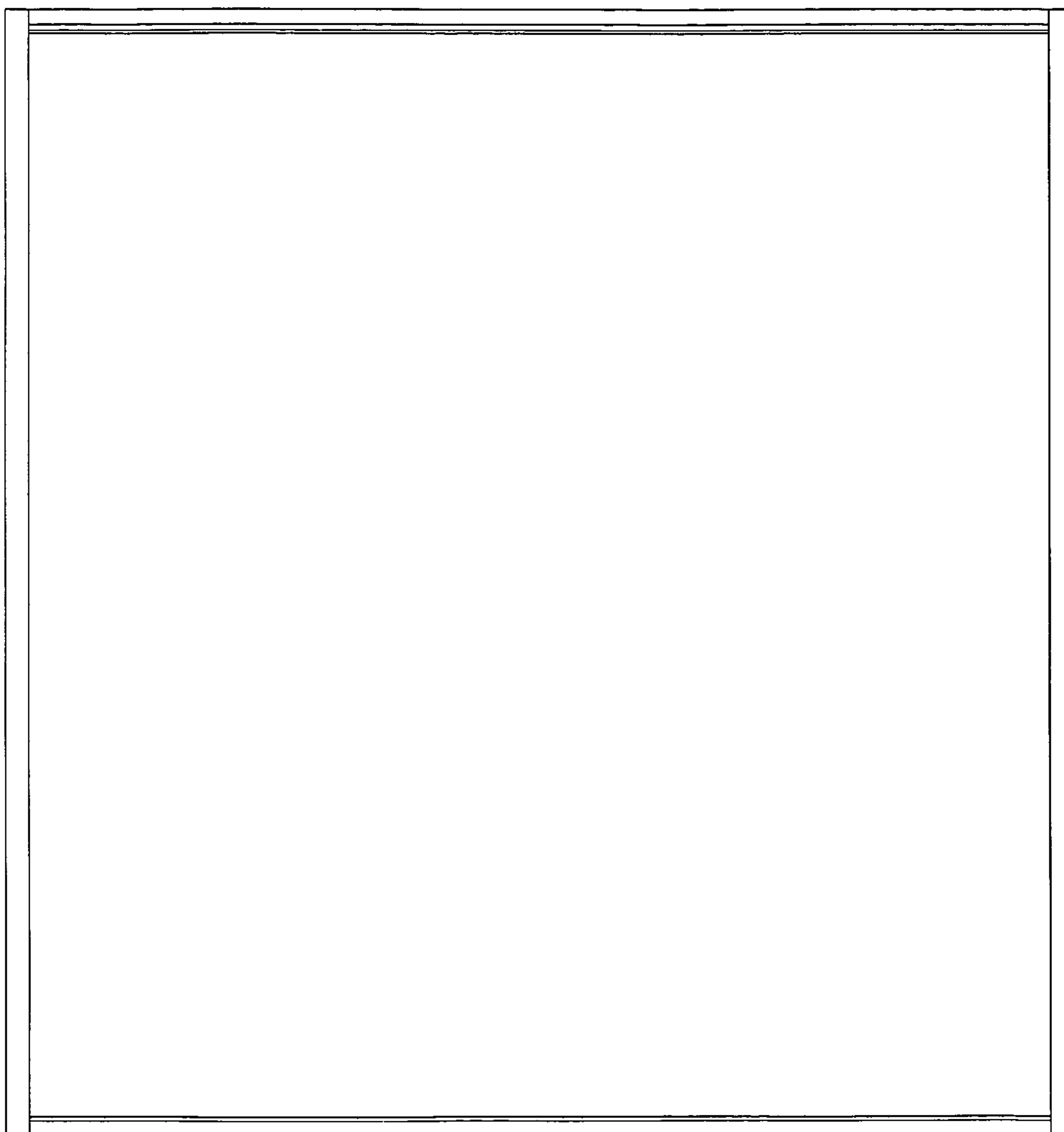
*Fig. 10*



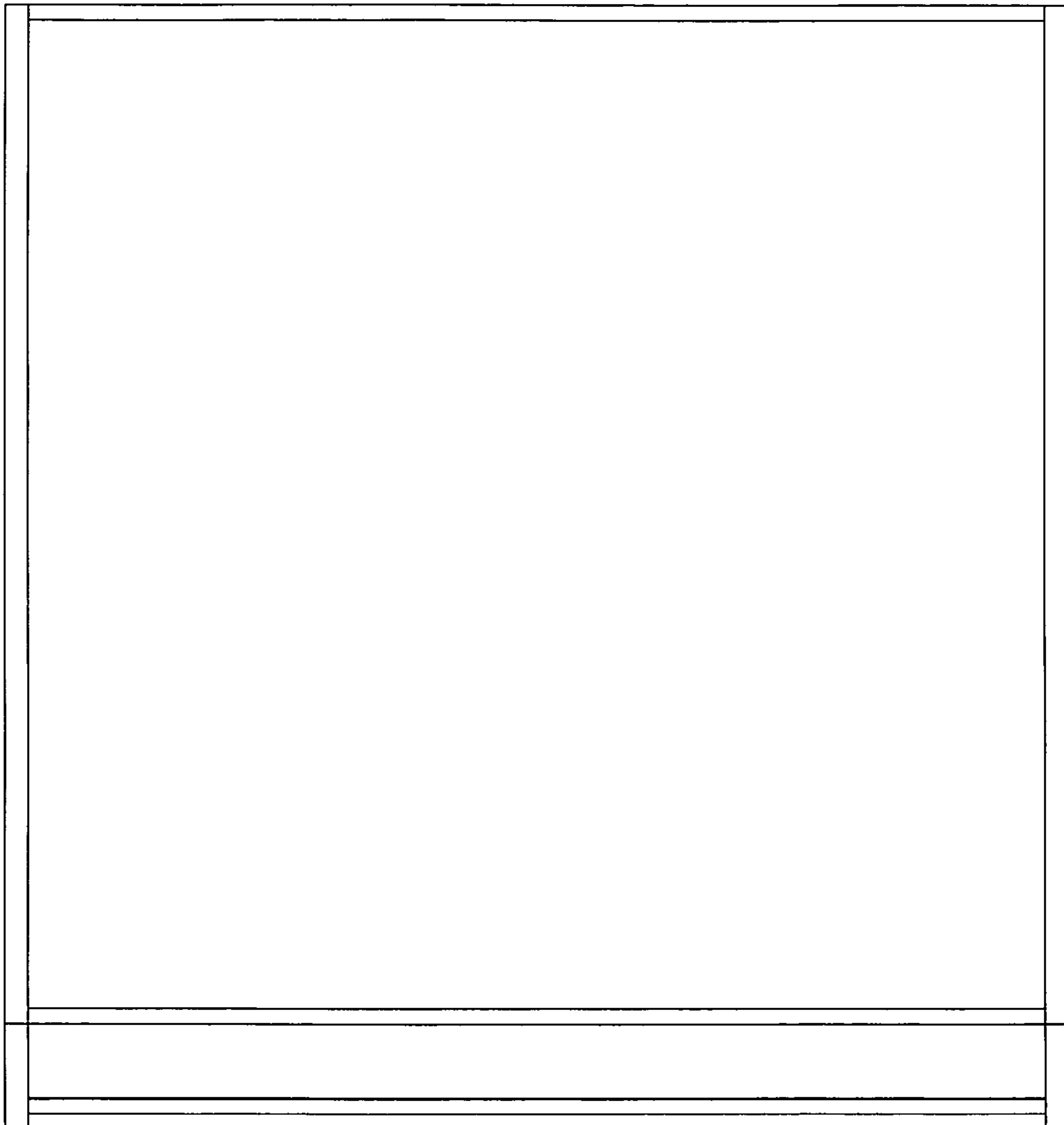
*Fig. 11*



*Fig. 12*

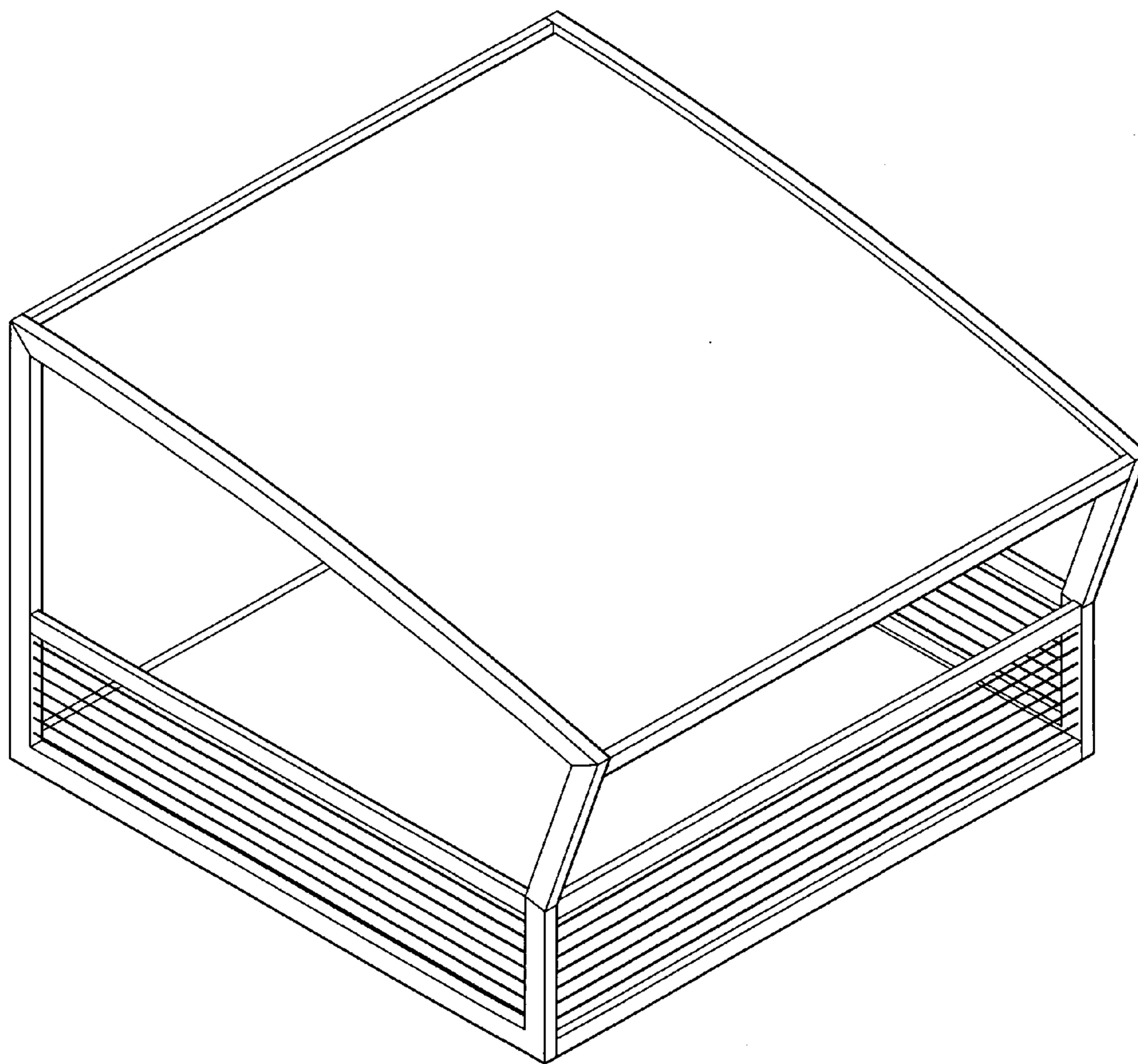


*Fig. 13*

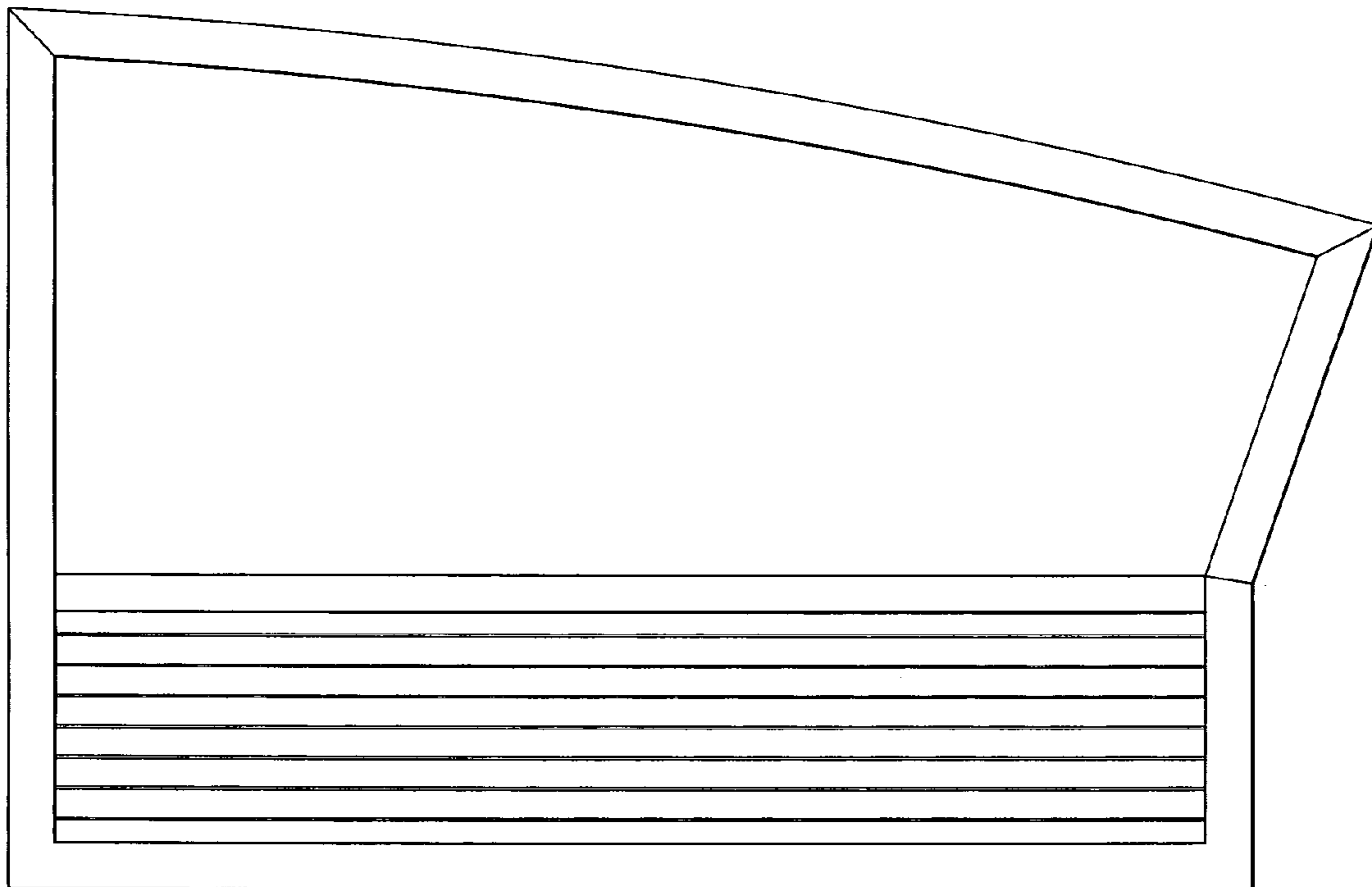


*Fig. 14*

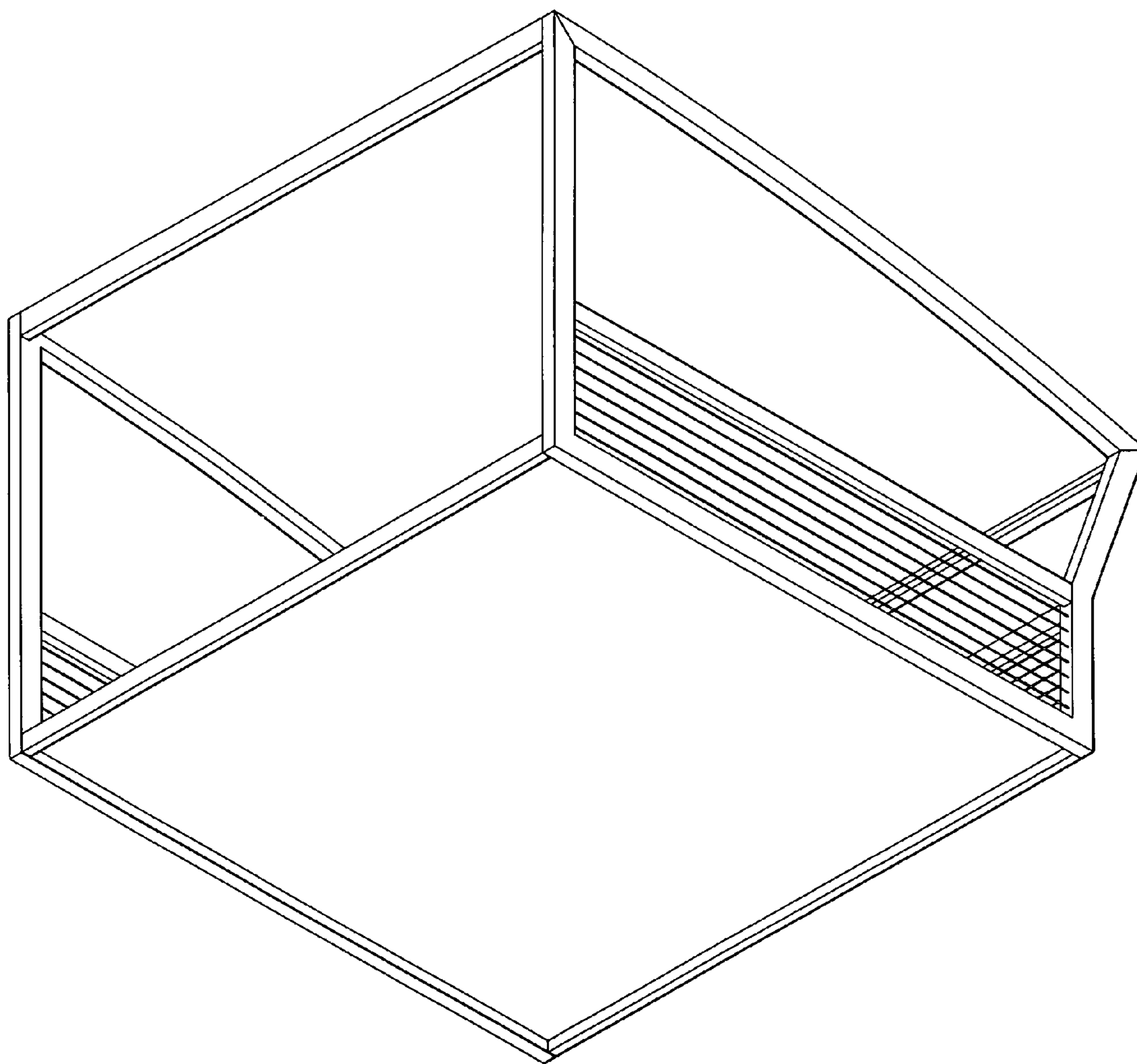




*Fig. 15*



*Fig. 16*



*Fig. 17*