



US00D640759S

(12) **United States Design Patent**
Mastin et al.

(10) **Patent No.:** **US D640,759 S**
(45) **Date of Patent:** **** Jun. 28, 2011**

(54) **TOY AXE**
(75) Inventors: **Clay Mastin**, Providence, RI (US);
Brian Jablonski, Providence, RI (US)
(73) Assignee: **Hasbro, Inc.**, Pawtucket, RI (US)
(**) Term: **14 Years**
(21) Appl. No.: **29/367,251**
(22) Filed: **Aug. 5, 2010**
(51) **LOC (9) Cl.** **21-01**
(52) **U.S. Cl.** **D21/567**
(58) **Field of Classification Search** D21/567,
D21/568; D8/47, 76, 77, 78, 98; D22/117,
D22/118; 30/123, 308.1, 308.2, 308.3; 7/145,
7/149, 159; 446/405, 473; D3/220, 262
See application file for complete search history.

D360,913 S 8/1995 Choi
D364,793 S 12/1995 Marchi
5,478,267 A 12/1995 McDonald et al.
D370,398 S 6/1996 Juranitch
D397,170 S 8/1998 Choi
D397,171 S 8/1998 Choi
D399,891 S 10/1998 Choi
D402,874 S * 12/1998 Hall et al. D8/76
D404,299 S 1/1999 Midgett et al.
D409,264 S 5/1999 Choi
D416,295 S 11/1999 Choi
D457,579 S 5/2002 Yiu
D473,618 S 4/2003 Rae
D473,620 S 4/2003 Rae
D474,828 S 5/2003 Rae
D486,201 S 2/2004 Rae
D486,548 S 2/2004 Rae
D491,996 S 6/2004 Rae
D494,246 S 8/2004 Rae et al.
D501,909 S 2/2005 Rae
D502,528 S 3/2005 Rae

(Continued)

(56) **References Cited**

U.S. PATENT DOCUMENTS

424,205 A 3/1890 Hufford
1,536,872 A 5/1925 Bailey
D100,056 S 6/1936 Vaughan
2,053,882 A 9/1936 Vaughan
2,544,563 A 3/1951 Moehle
D221,335 S 8/1971 Clayton
D222,934 S 2/1972 Cole
D222,937 S 2/1972 Cole
D222,938 S 2/1972 Cole
D225,527 S 12/1972 Cole
D243,314 S * 2/1977 Hedvall D8/76
D270,654 S 9/1983 Barrett
4,546,510 A 10/1985 Harrison
D299,414 S * 1/1989 Bajza et al. D8/76
4,817,221 A 4/1989 Ryan
D329,366 S * 9/1992 Ragoonath D8/76
D330,064 S 10/1992 Medina
D330,285 S * 10/1992 Snooks D3/262
D355,225 S 2/1995 Arad et al.
D360,818 S 8/1995 Marchi

Primary Examiner — Cynthia M Chin

(74) *Attorney, Agent, or Firm* — Perry Hoffman

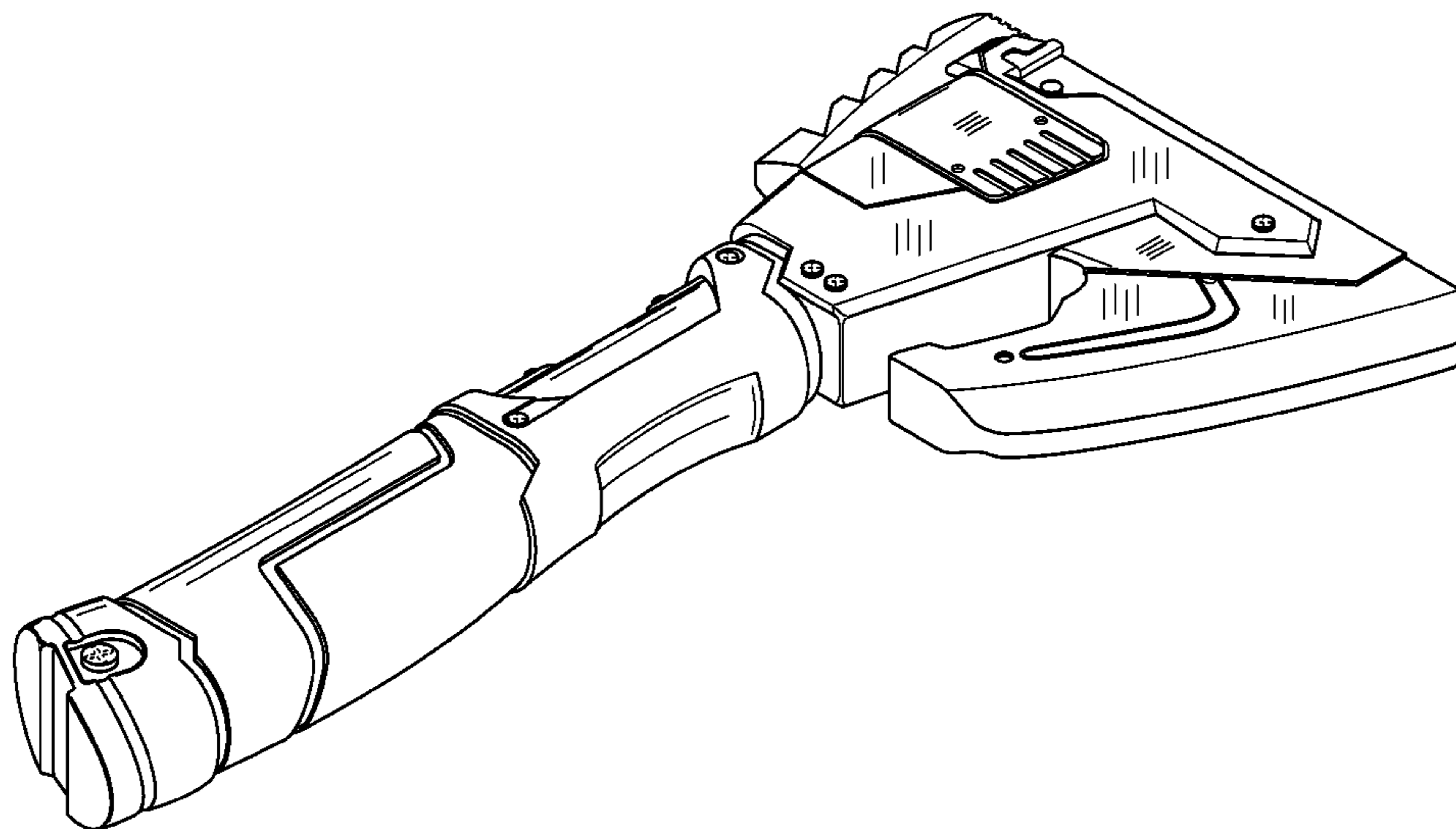
(57) **CLAIM**

The ornamental design for a toy axe, as shown and described.

DESCRIPTION

FIG. 1 is a perspective view of the toy axe of the instant invention;
FIG. 2 is a front elevation view thereof;
FIG. 3 is a rear elevation view thereof;
FIG. 4 is a top end view thereof;
FIG. 5 is a bottom end view thereof;
FIG. 6 is a left side elevational view thereof; and,
FIG. 7 is a right side elevational view thereof.
The broken lines shown are included for the purpose of illustrating the unclaimed portions of the article and form no part of the claimed design.

1 Claim, 5 Drawing Sheets



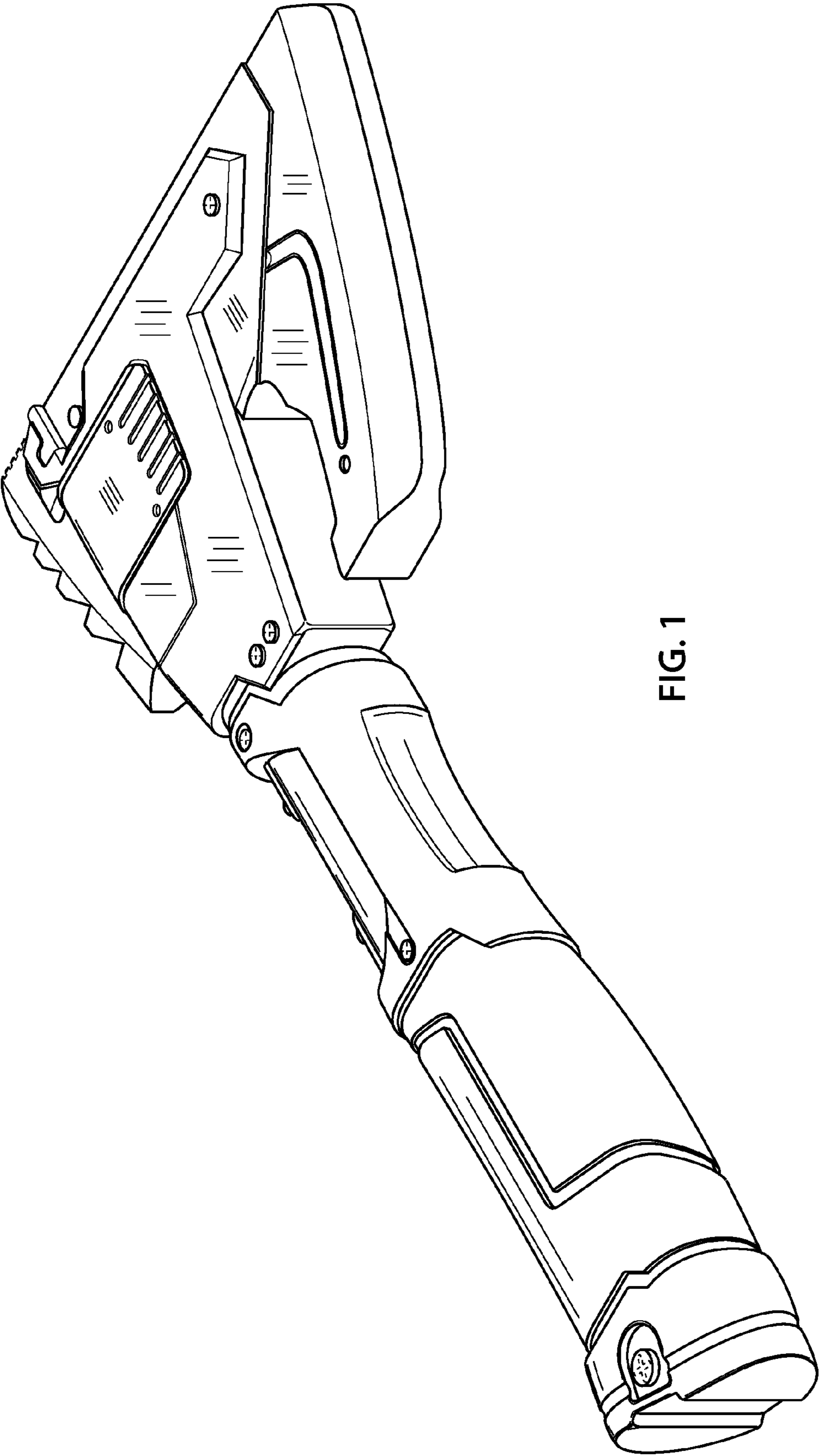


FIG. 1

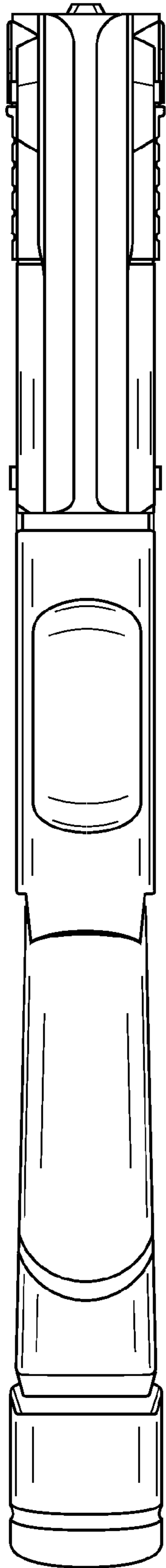


FIG. 2

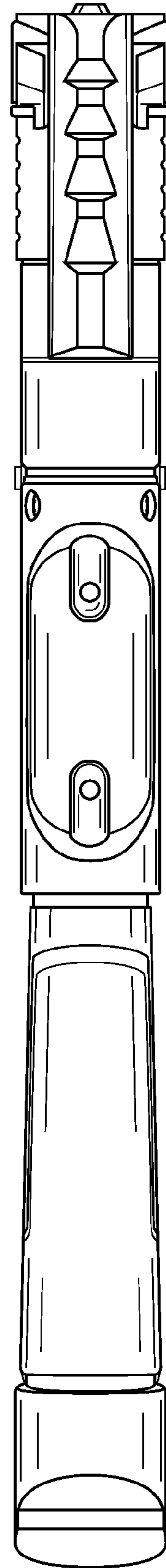


FIG. 3

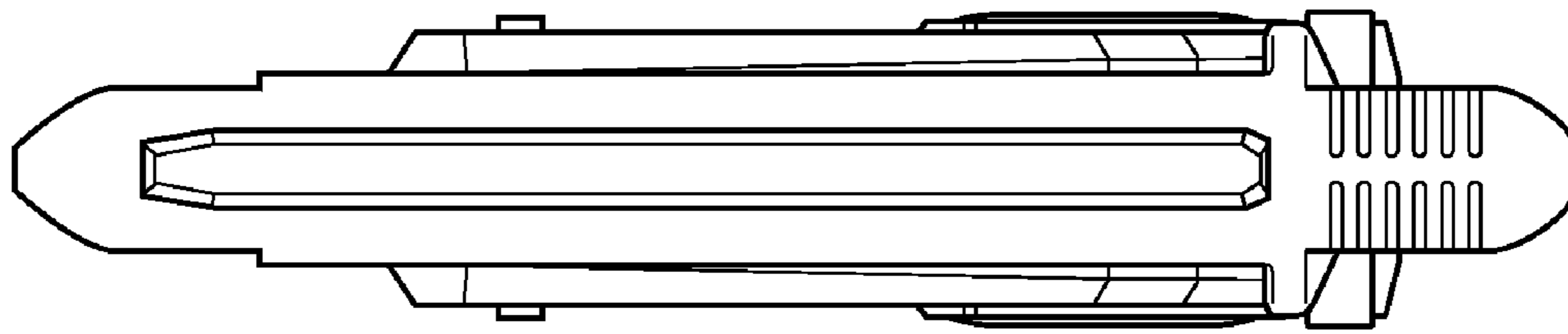


FIG. 4

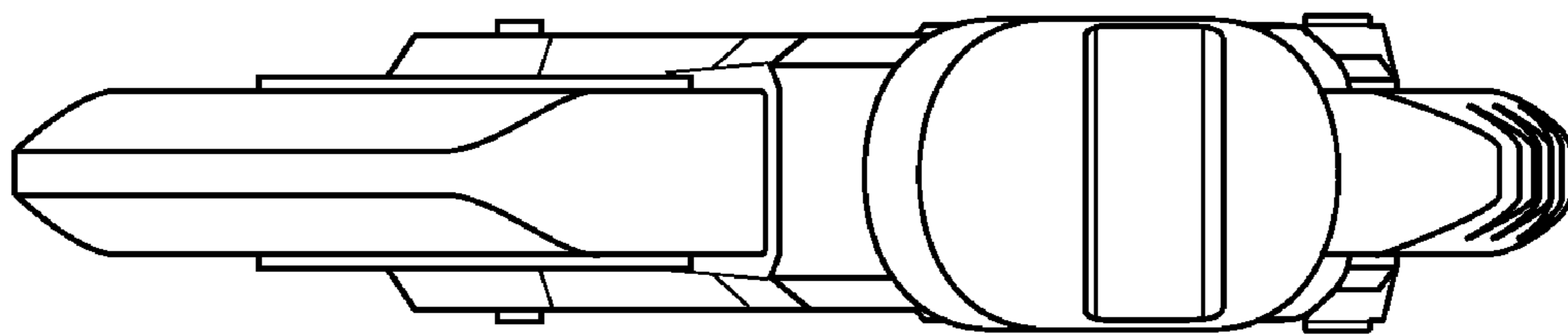


FIG. 5

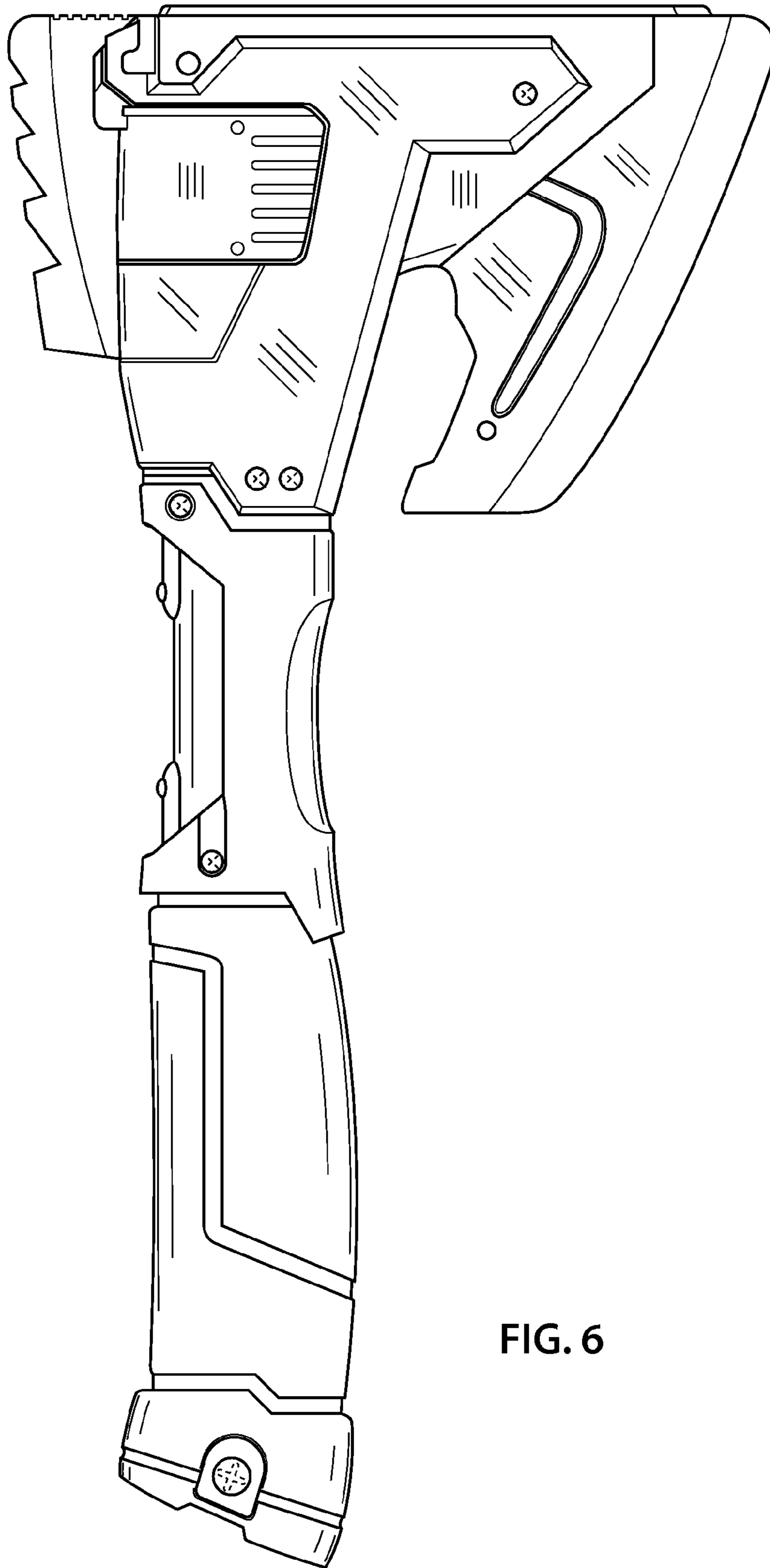


FIG. 6

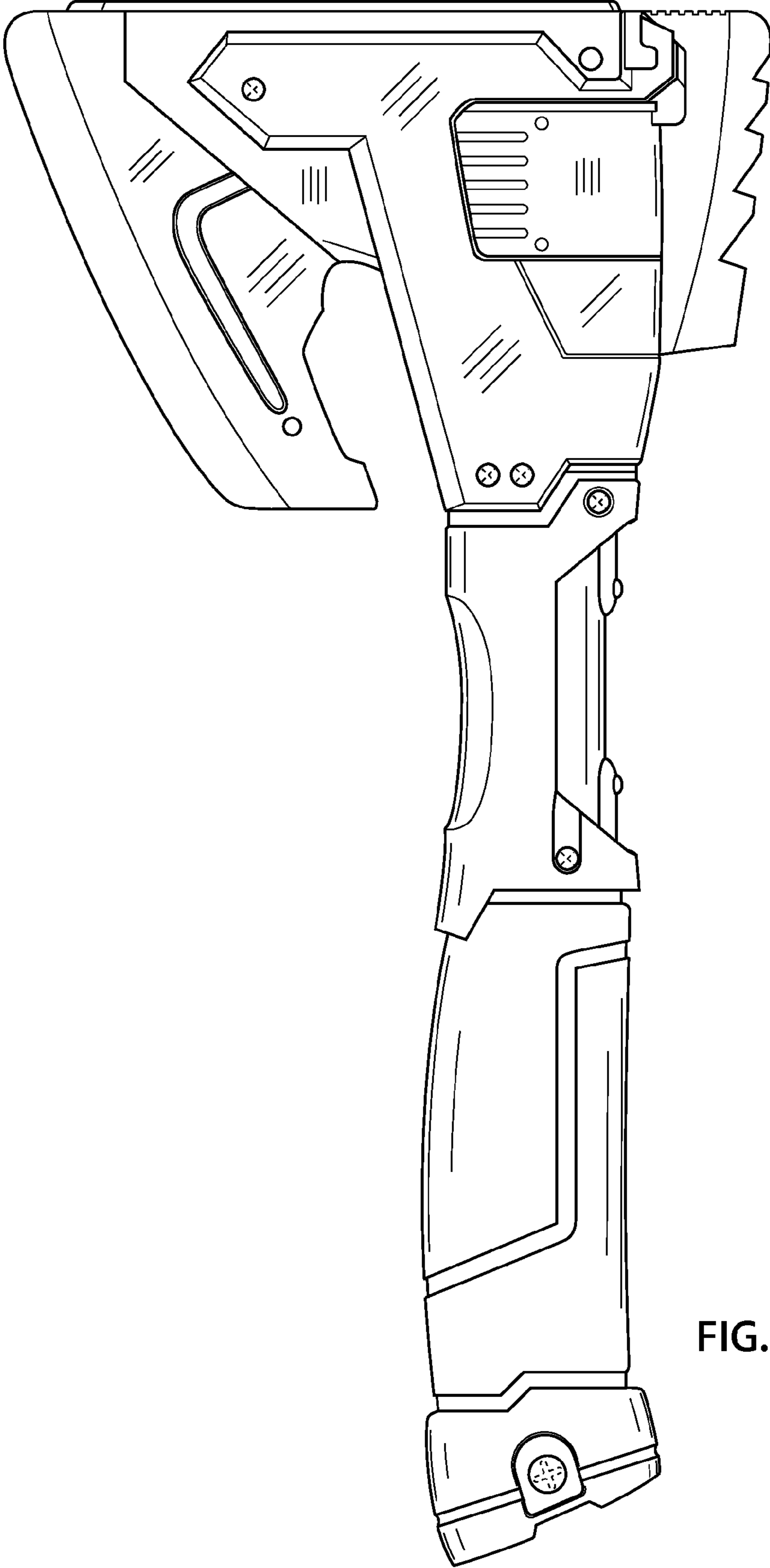


FIG. 7