



US00D640758S

(12) **United States Design Patent**
Kino

(10) **Patent No.:** **US D640,758 S**
(45) **Date of Patent:** **** Jun. 28, 2011**

(54) **TOY BUCKET**

(75) Inventor: **Takashi Kino**, Yokohama (JP)

(73) Assignee: **Royal Co., Ltd.** (JP)

(**) Term: **14 Years**

(21) Appl. No.: **29/364,205**

(22) Filed: **Jun. 21, 2010**

(30) **Foreign Application Priority Data**

Dec. 21, 2009 (JP) 2009-029612

(51) **LOC (9) Cl.** **21-01**

(52) **U.S. Cl.** **D21/532; D21/398; D21/483;**
D32/53

(58) **Field of Classification Search** D21/398,
D21/471, 473, 532; D7/603, 604, 608; D32/53,
D32/53.1, 54; D22/136; 446/69, 70; 220/904;
15/564; 294/68.22; 473/170

See application file for complete search history.

(56) **References Cited**

U.S. PATENT DOCUMENTS

D261,541 S *	10/1981	Appel et al.	D21/472
D280,038 S *	8/1985	Anderson	D32/53
D285,765 S *	9/1986	Zieff	D7/603
D289,186 S *	4/1987	Thomson et al.	D21/483
D312,157 S *	11/1990	Sjolander	D32/53
D348,130 S *	6/1994	Miller	D32/53
D368,347 S *	3/1996	Kruger	D32/53

D374,043 S *	9/1996	Ryaa et al.	D21/483
D386,860 S *	11/1997	Breen	D32/53
D398,663 S *	9/1998	Freelander	D21/532
D398,664 S *	9/1998	Freelander	D21/398
D417,326 S *	11/1999	Greene	D32/53
D469,233 S *	1/2003	Begnani	D32/53

FOREIGN PATENT DOCUMENTS

JP	624887	5/1984
JP	904651	8/1994
JP	1066766	4/2000
JP	1147684	7/2002

* cited by examiner

Primary Examiner — Cynthia M Chin

(74) *Attorney, Agent, or Firm* — SAIDMAN Design Law Group

(57) **CLAIM**

The ornamental design for a toy bucket, as shown and described.

DESCRIPTION

FIG. 1 is a front elevational view of a toy bucket showing my new design, the opposite rear elevational view being a mirror image thereof;

FIG. 2 is a left side view thereof, the opposite right side view being a mirror image thereof;

FIG. 3 is a top plan view thereof;

FIG. 4 is a bottom plan view thereof;

FIG. 5 is a sectional view taken along the line 5—5 of FIG. 1; and,

FIG. 6 is a sectional view taken along the line 6—6 of FIG. 3.

1 Claim, 6 Drawing Sheets

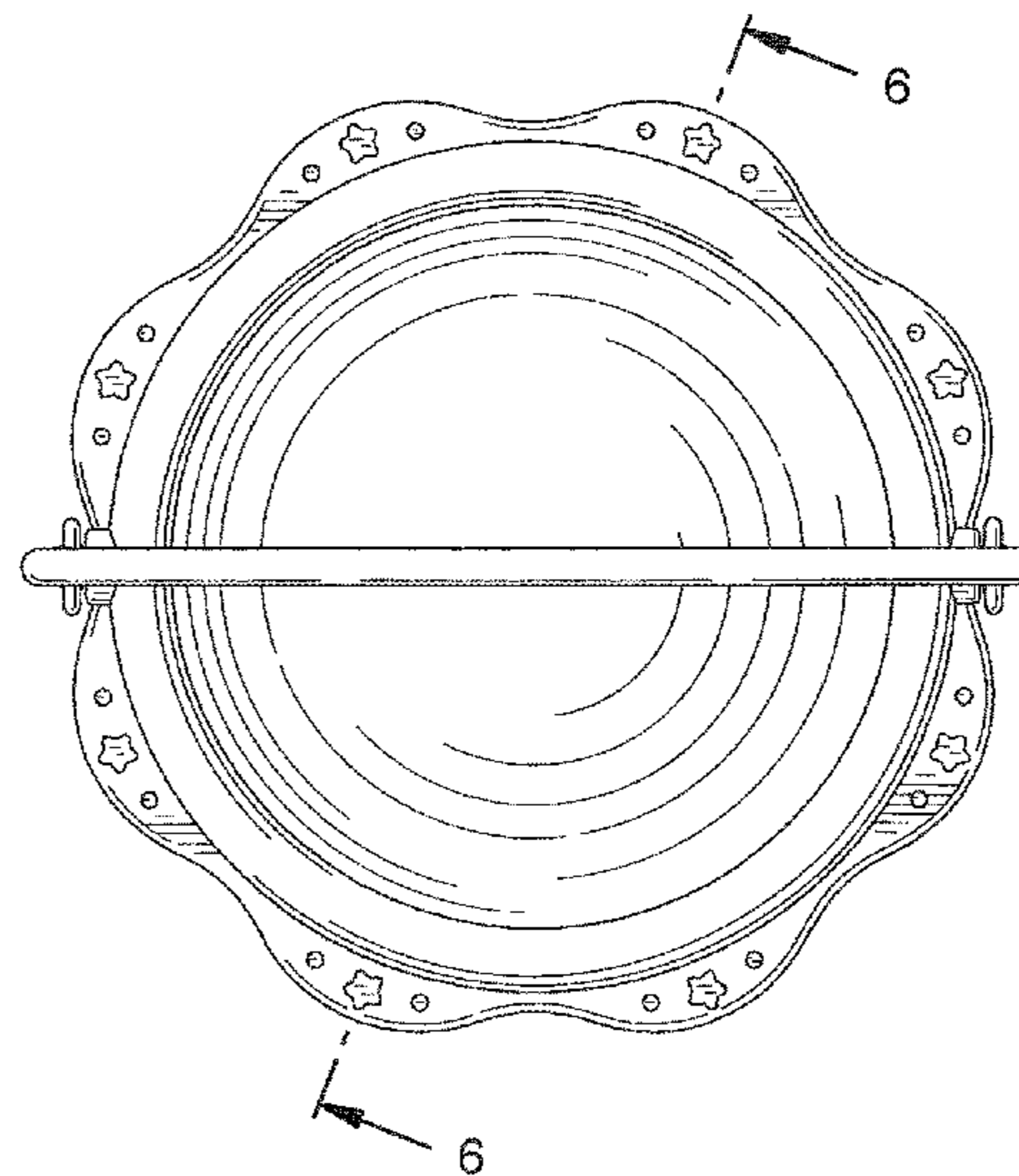
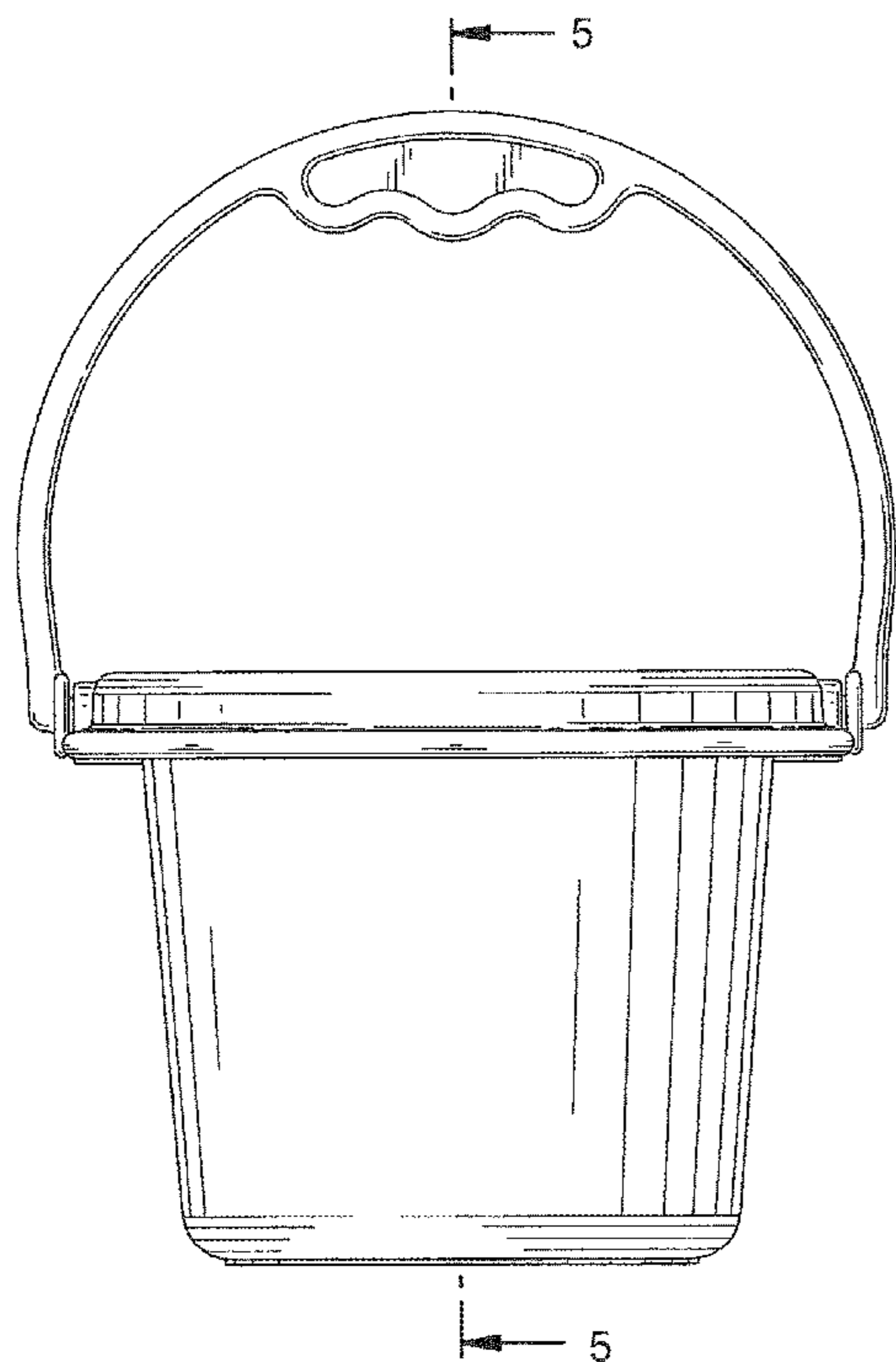


Fig. 1

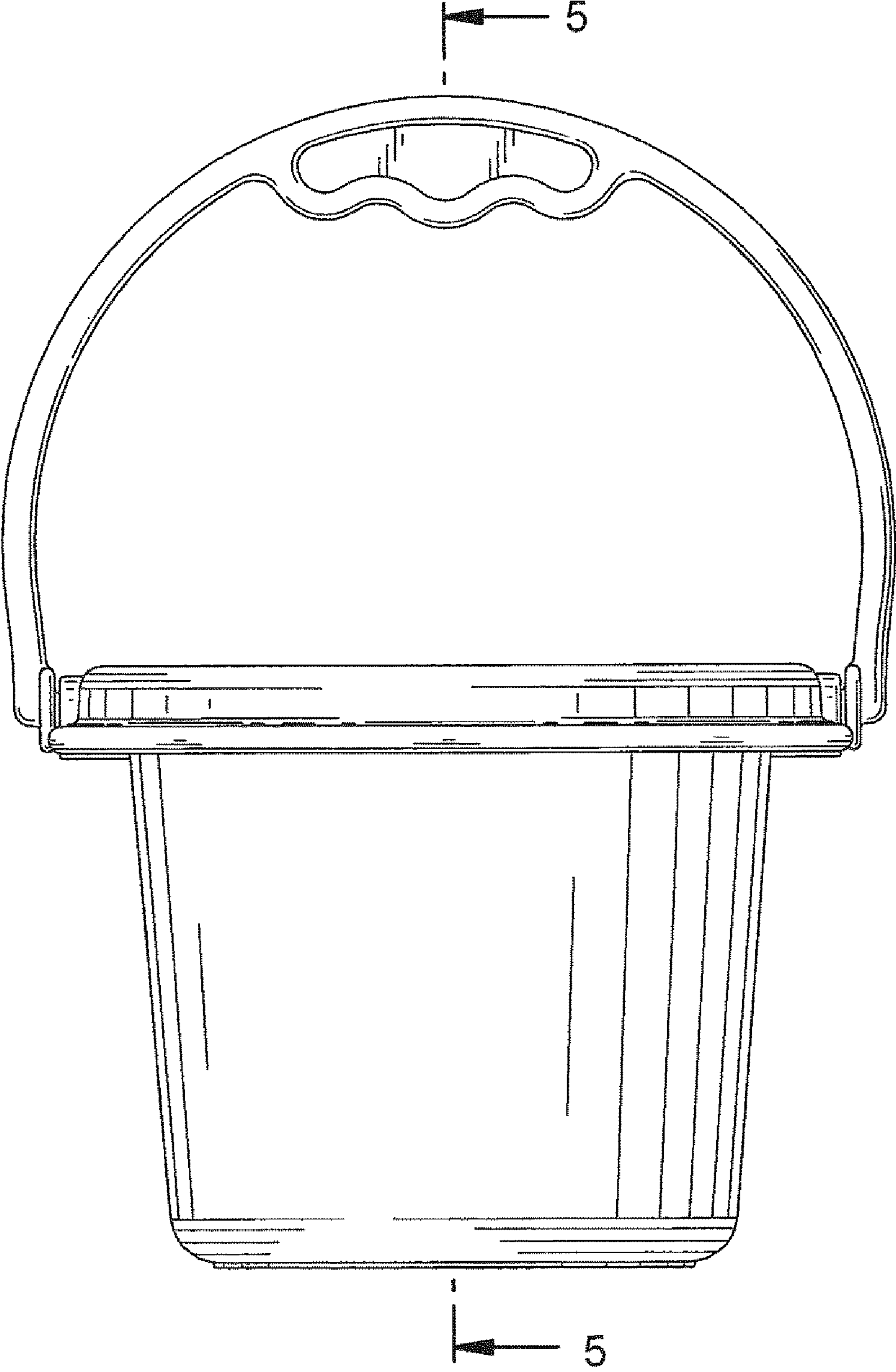


Fig. 2

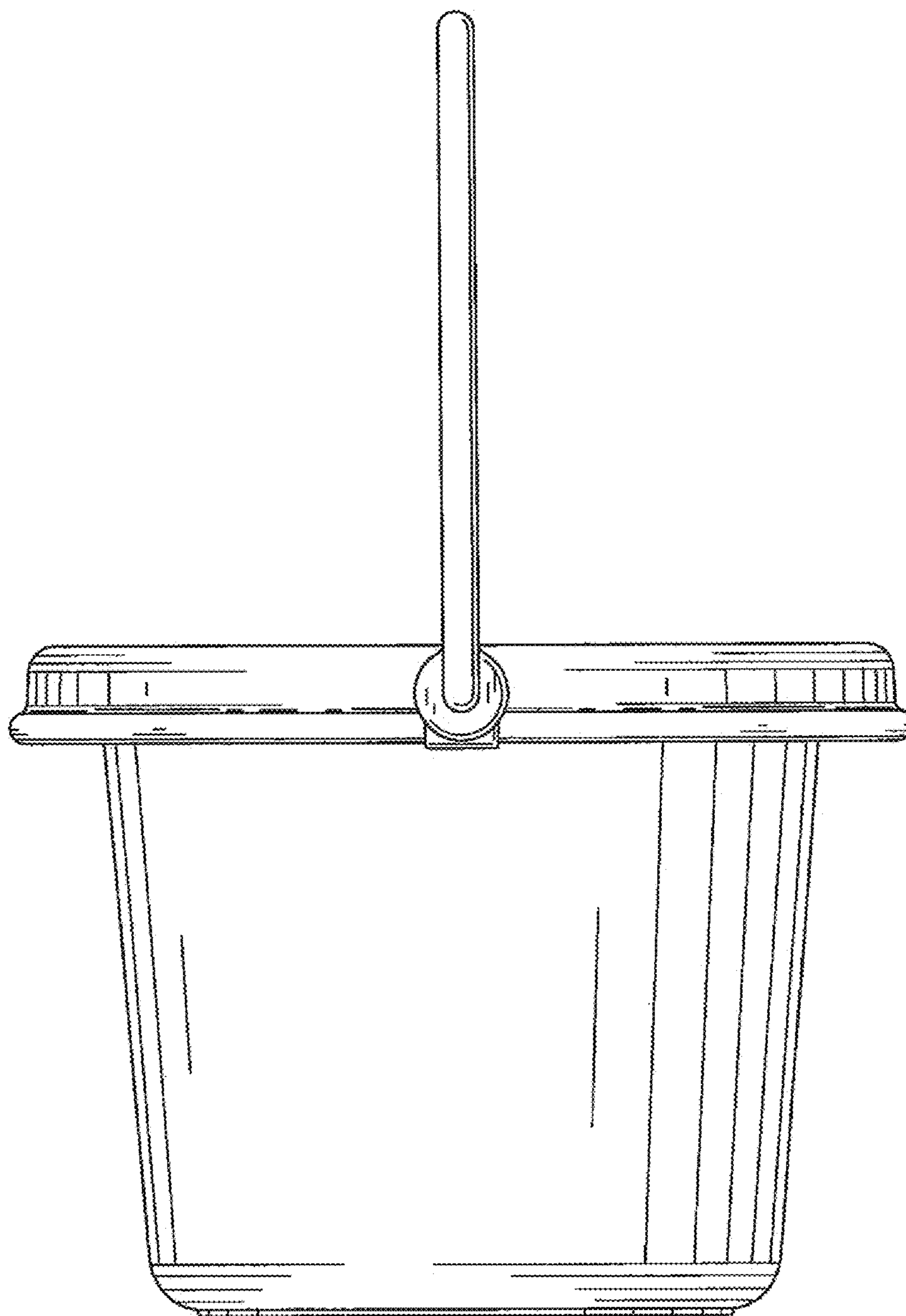


Fig. 3

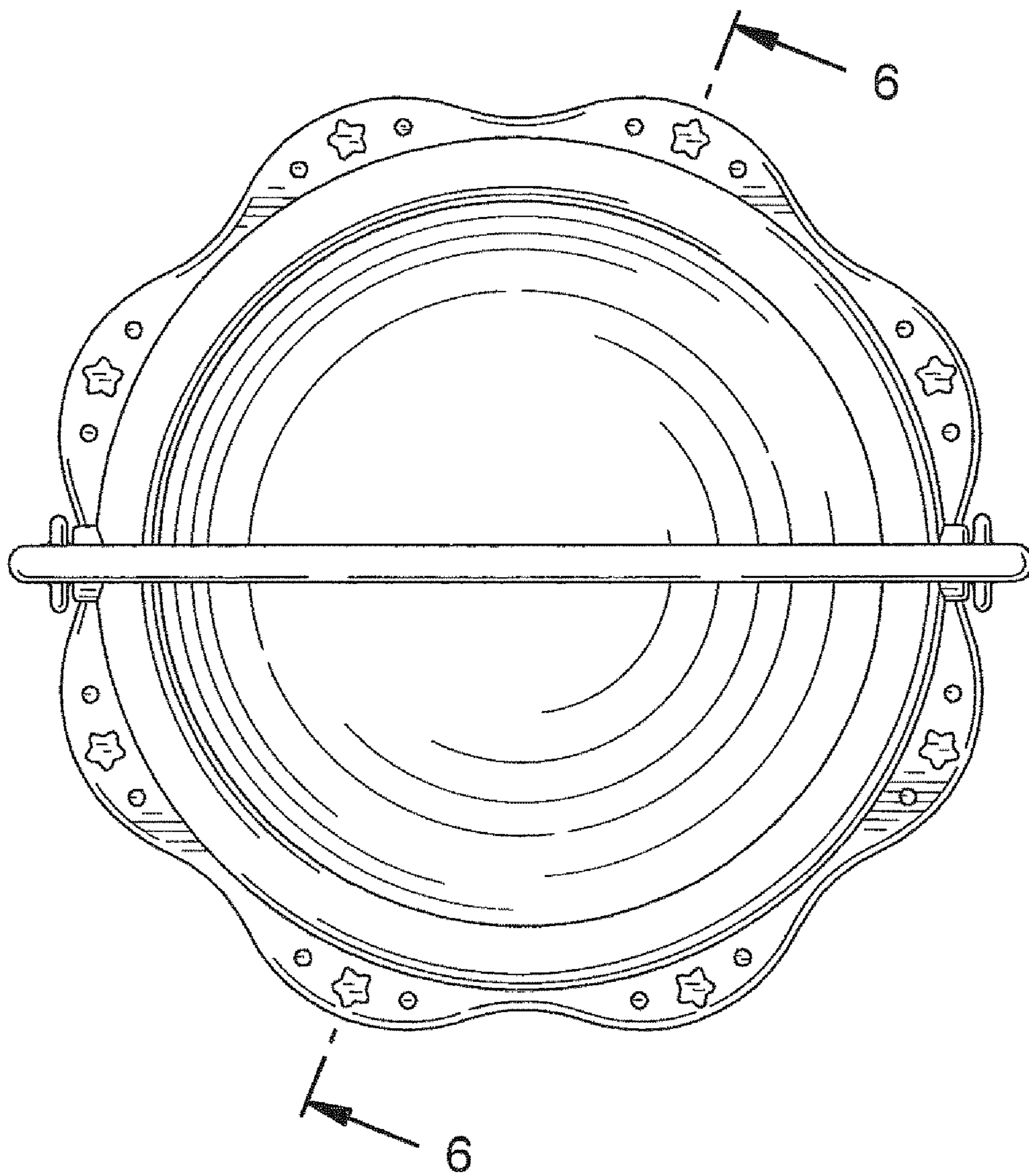


Fig. 4

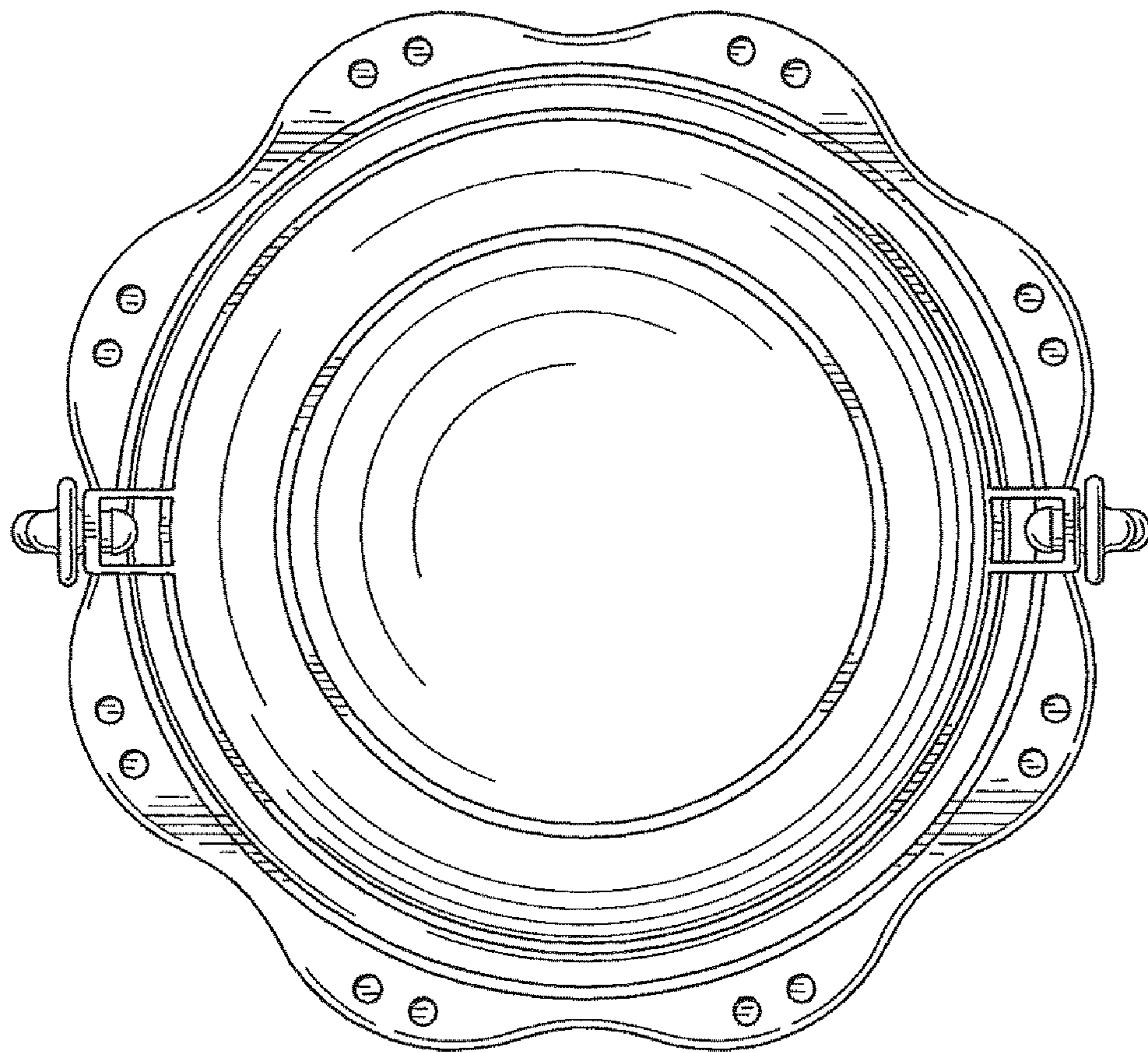


Fig. 5

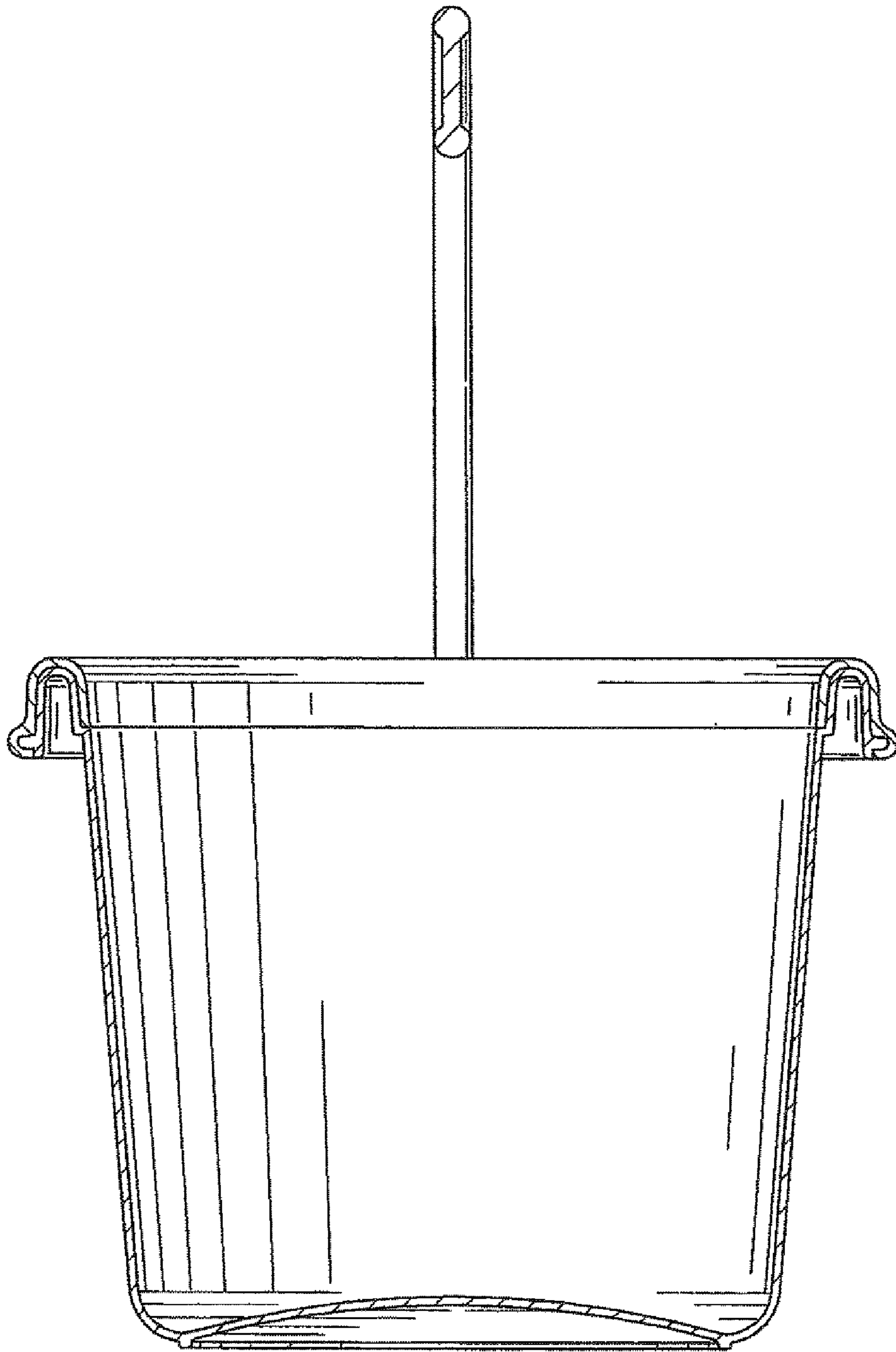


Fig. 6

