



US00D640757S

(12) **United States Design Patent**  
**Cheng**

(10) **Patent No.:** **US D640,757 S**

(45) **Date of Patent:** **\*\* \*Jun. 28, 2011**

(54) **ALIEN UFO SAUCER**

(76) **Inventor:** **Randy Cheng**, San Gabriel, CA (US)

(\*) **Notice:** This patent is subject to a terminal disclaimer.

(\*\*) **Term:** **14 Years**

(21) **Appl. No.:** **29/354,407**

(22) **Filed:** **Jan. 22, 2010**

(51) **LOC (9) Cl.** ..... **21-01**

(52) **U.S. Cl.** ..... **D21/451**

(58) **Field of Classification Search** ..... D21/436-454;  
D12/319-345; 446/34-68, 230-232, 429,  
446/430; 244/12.2, 23 C; 473/569-571,  
473/588-590, 612-614

See application file for complete search history.

(56) **References Cited**

**U.S. PATENT DOCUMENTS**

D209,763	S	*	1/1968	Mueller	.....	D21/444
3,568,358	A	*	3/1971	Bruce	.....	446/37
3,605,328	A	*	9/1971	Kilroy, Jr.	.....	446/41
4,065,873	A	*	1/1978	Jones	.....	446/37
D261,538	S	*	10/1981	Sides	.....	D21/441
D408,468	S	*	4/1999	Saka	.....	D21/451

D496,695	S	*	9/2004	Davis	.....	D21/444
6,843,699	B2	*	1/2005	Davis	.....	446/37
D509,259	S	*	9/2005	Dennis	.....	D21/444
D552,690	S	*	10/2007	Shi	.....	D21/444

**FOREIGN PATENT DOCUMENTS**

CN	3571492	*	10/2006
CN	300909114	*	4/2009

\* cited by examiner

*Primary Examiner* — Catherine Tuttle

(74) *Attorney, Agent, or Firm* — Cisló & Thomas, LLP

(57) **CLAIM**

I claim the ornamental design for an alien UFO saucer, as shown and described.

**DESCRIPTION**

FIG. 1 is a perspective view showing my new design for an alien UFO saucer;

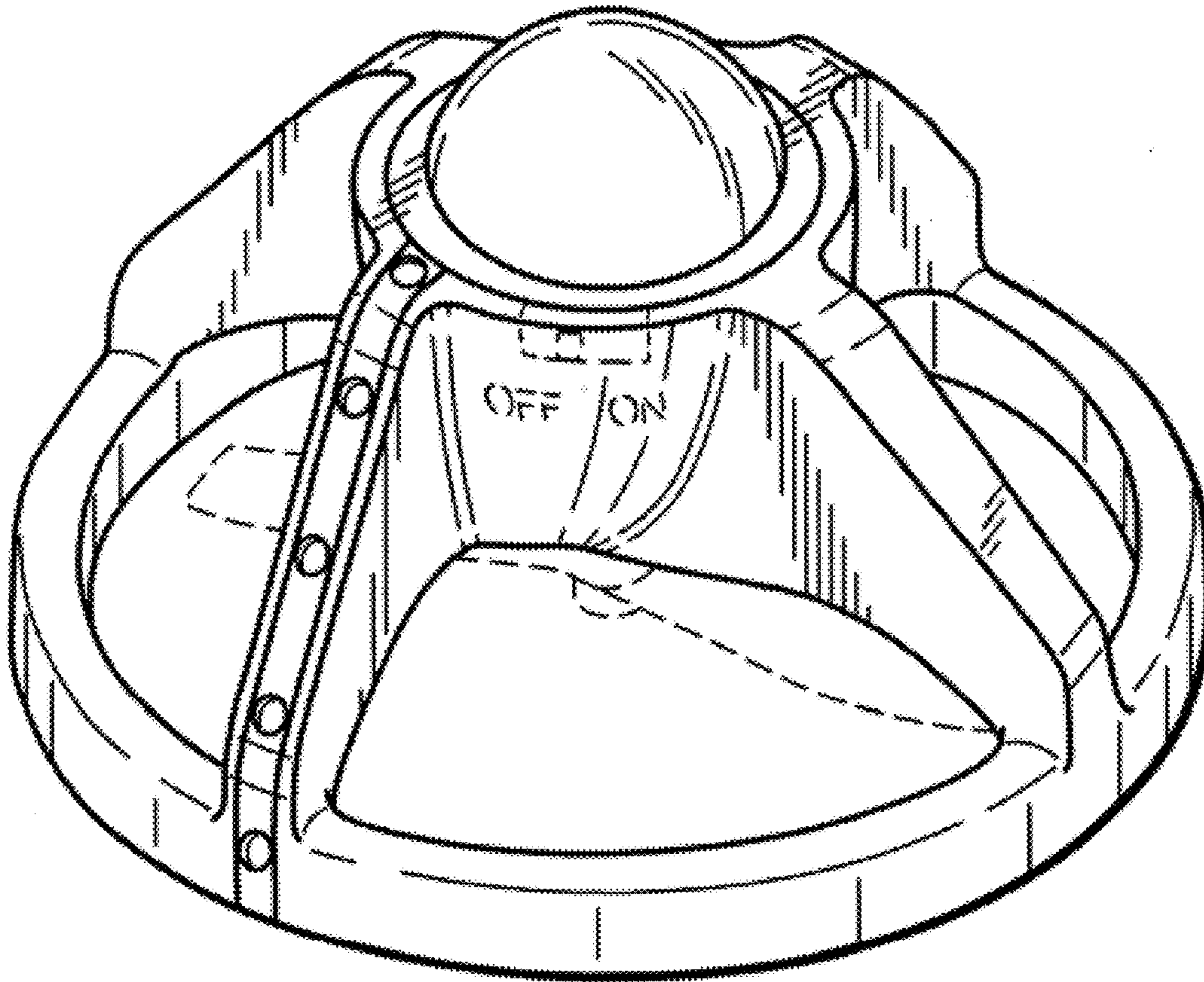
FIG. 2 is a side view thereof;

FIG. 3 is a top view thereof; and,

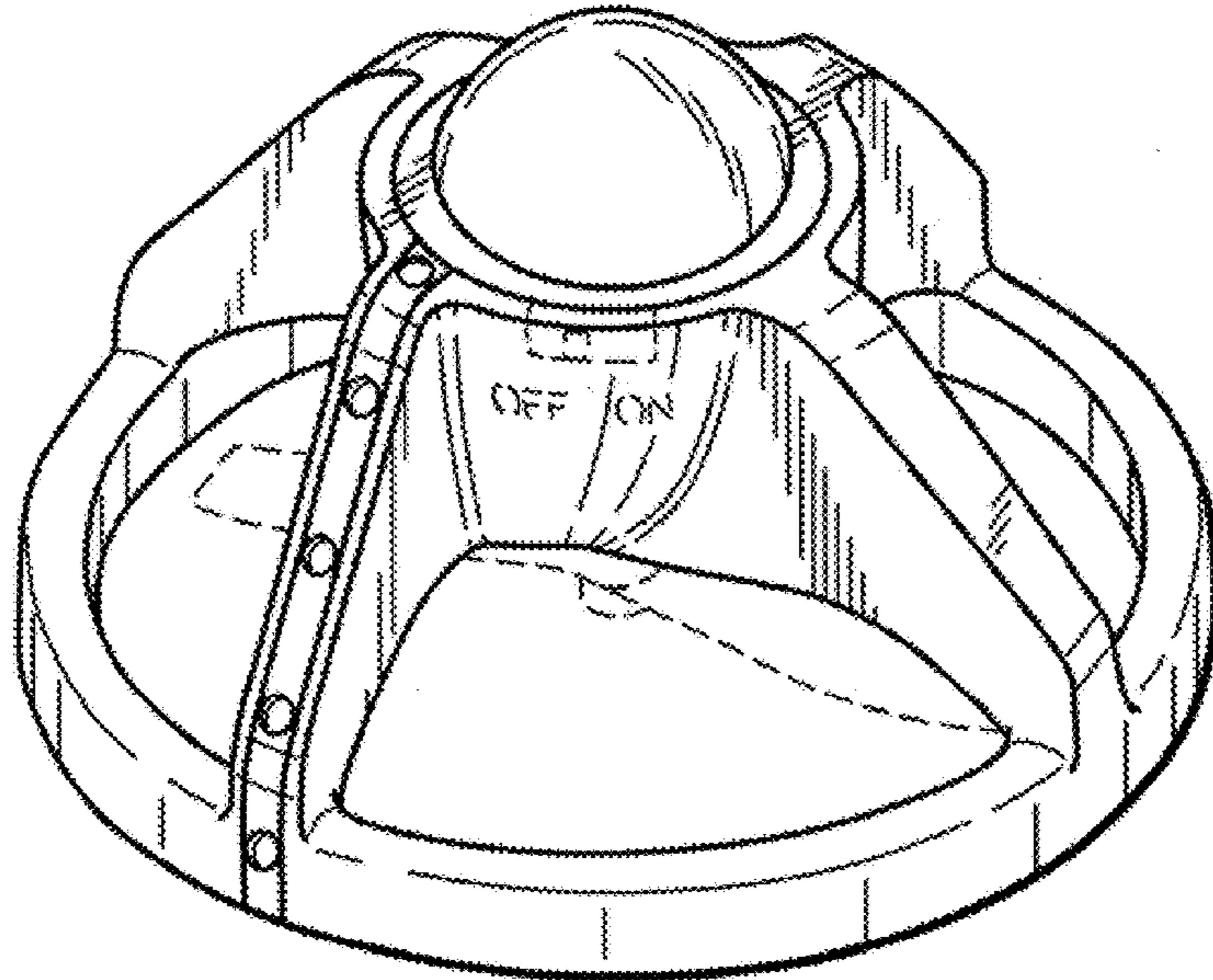
FIG. 4 is a bottom view thereof.

The broken lines are included for the purpose of illustrating portions of the alien UFO saucer that form no part of the claimed design.

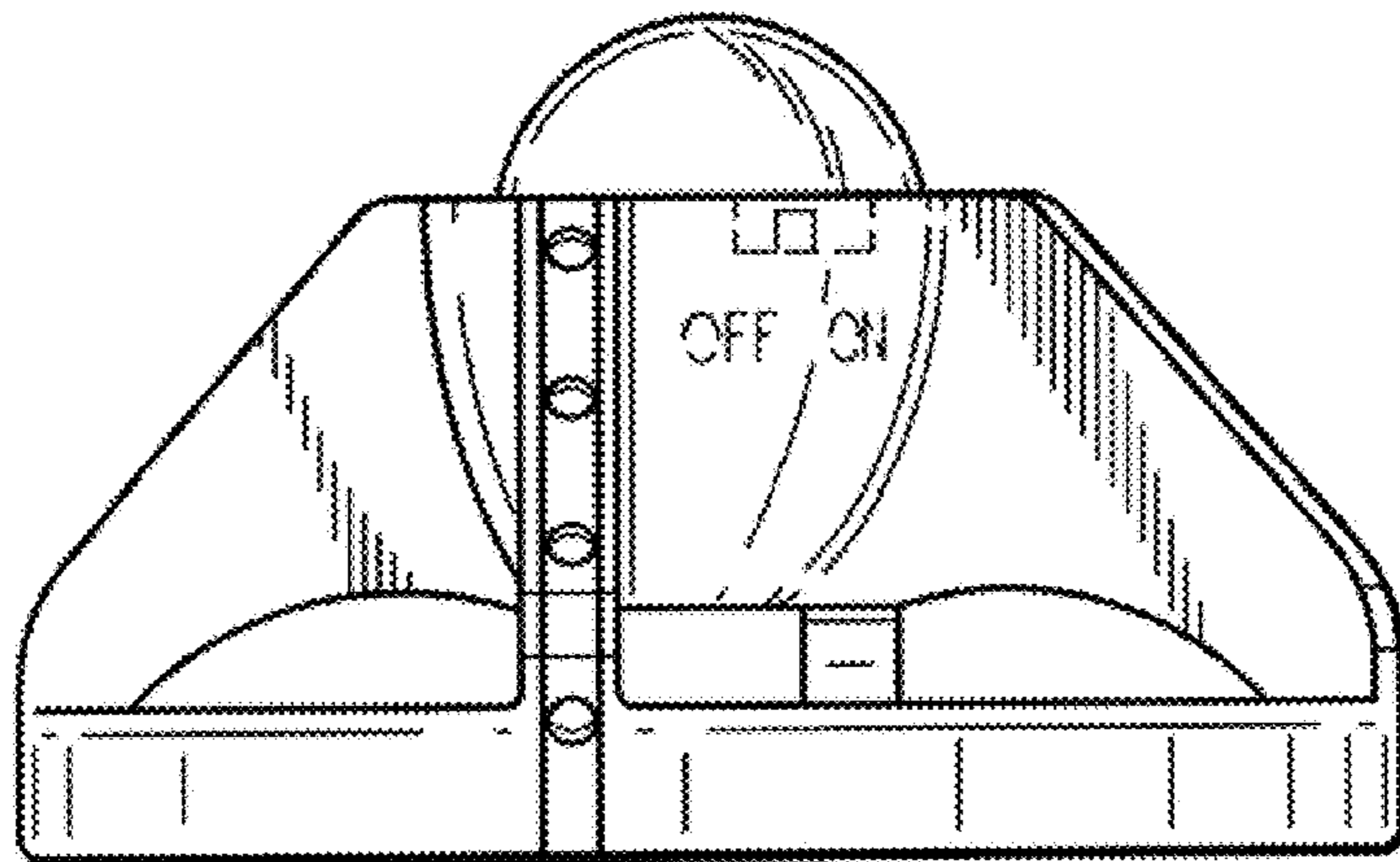
**1 Claim, 2 Drawing Sheets**



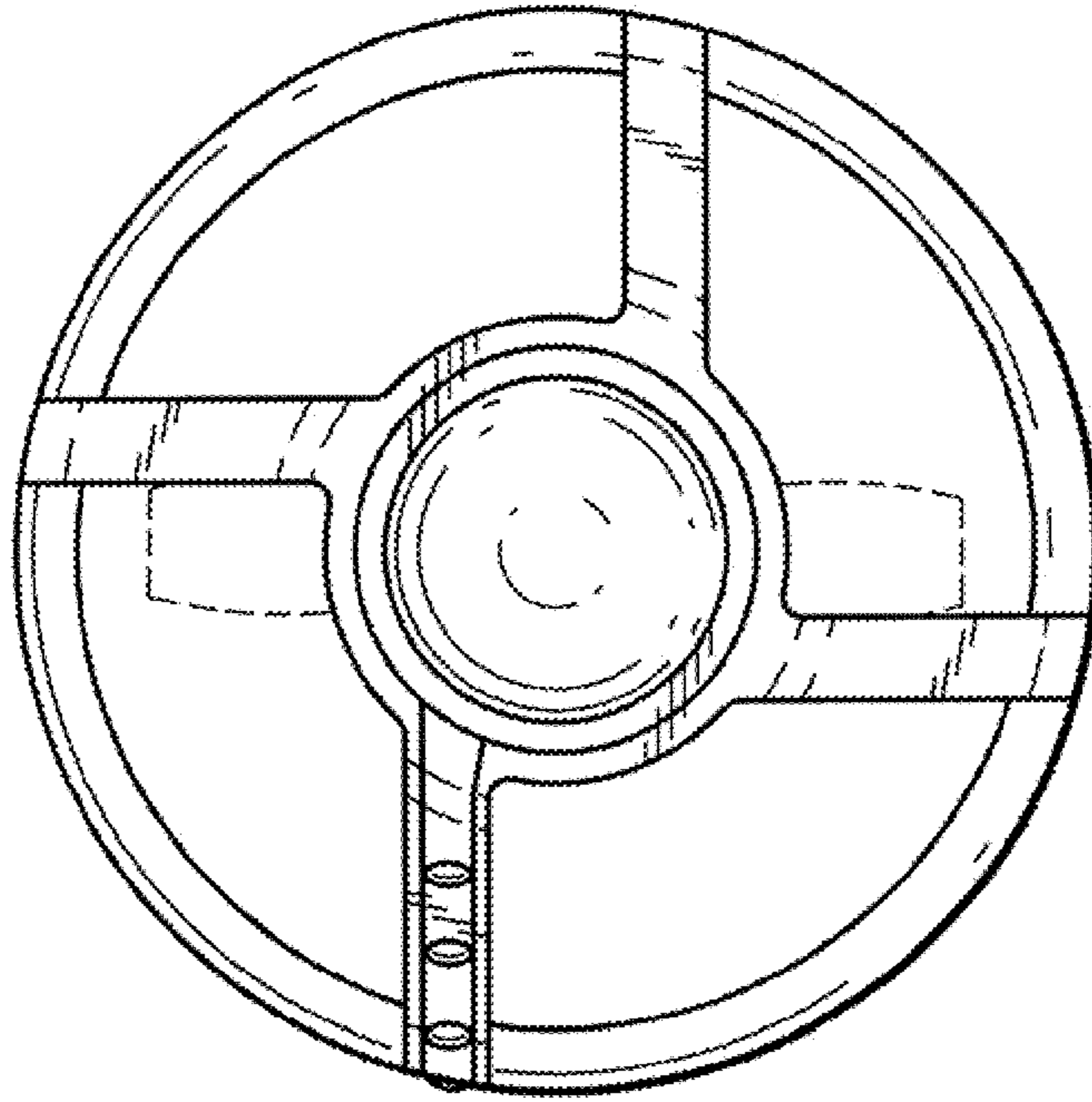
**FIG. 1**



**FIG. 2**



**FIG. 3**



**FIG. 4**

