



US00D640756S

(12) **United States Design Patent**
Busse

(10) **Patent No.:** **US D640,756 S**

(45) **Date of Patent:** **** Jun. 28, 2011**

- (54) **AERODYNAMIC FLYING DISC**
- (75) Inventor: **Mark Busse**, Providence, RI (US)
- (73) Assignee: **Hasbro, Inc.**, Pawtucket, RI (US)
- (**) Term: **14 Years**
- (21) Appl. No.: **29/375,668**
- (22) Filed: **Sep. 26, 2010**
- (51) **LOC (9) Cl.** **21-01**
- (52) **U.S. Cl.** **D21/443; D21/390**
- (58) **Field of Classification Search** D21/385-386,
D21/390, 436, 441-444, 453; 446/34, 36,
446/61, 255; D30/160; 273/288-291; 473/569,
473/588-589, 590
See application file for complete search history.

5,611,322	A	3/1997	Matsuzaki et al.	
5,782,228	A	7/1998	Wu	
5,803,459	A *	9/1998	Casas-Salat	273/288
D402,318	S *	12/1998	Dunipace	D21/443
5,996,564	A	12/1999	Kotowski	
6,224,457	B1	5/2001	Wu	
D448,812	S *	10/2001	Vong et al.	D21/386
D464,380	S *	10/2002	Hu	D21/443
D478,944	S *	8/2003	Peterson	D21/443
6,733,356	B2	5/2004	Lee	
D527,427	S *	8/2006	Andersen	D21/436
D542,359	S *	5/2007	Vodhanel, Jr.	D21/443
7,673,624	B2	3/2010	Rosella, Jr.	
2009/0176435	A1	7/2009	Stark	

* cited by examiner

Primary Examiner — Sandra Morris

(74) *Attorney, Agent, or Firm* — Perry Hoffman

(57) **CLAIM**

The ornamental design for an aerodynamic flying disc, as shown and described.

(56) **References Cited**

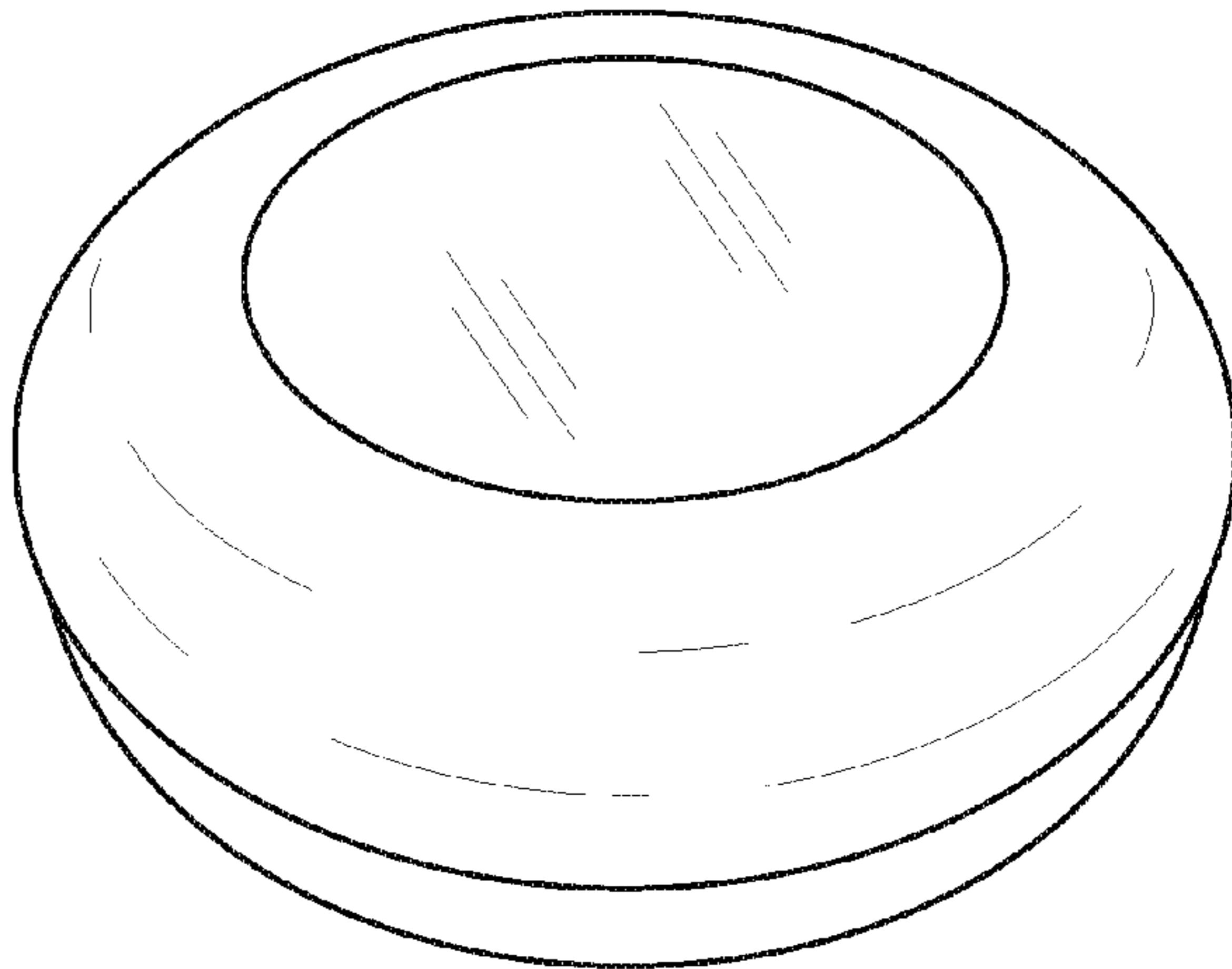
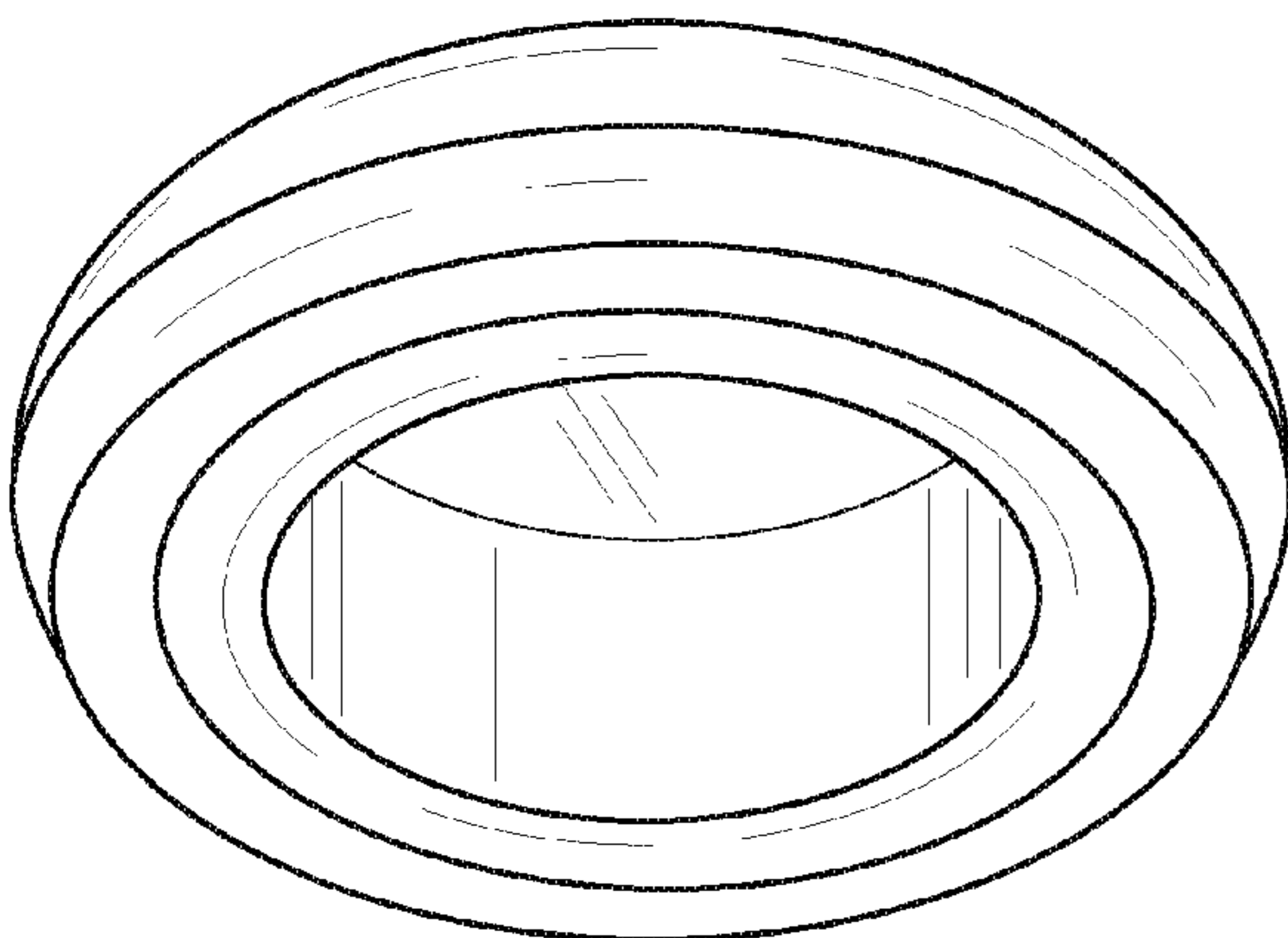
U.S. PATENT DOCUMENTS

1,353,663	A	9/1920	Napier	
1,374,757	A	4/1921	Napier	
3,877,383	A	4/1975	Flatau	
3,951,070	A	4/1976	Flatau et al.	
3,968,783	A	7/1976	Pfotenhauer	
3,982,489	A	9/1976	Flatau et al.	
4,153,252	A	5/1979	Sullivan	
4,170,215	A	10/1979	Kettlestrings	
4,248,202	A	2/1981	Jaworski et al.	
4,659,320	A	4/1987	Rich et al.	
4,820,230	A	4/1989	Richards	
4,940,441	A	7/1990	Novinsky	
5,277,641	A *	1/1994	Gable et al.	446/46
5,471,967	A	12/1995	Matsuzaki et al.	

DESCRIPTION

FIG. 1 is a bottom perspective view of the aerodynamic flying disc of the instant invention;
 FIG. 2 is a top perspective view thereof;
 FIG. 3 is a bottom plan view thereof;
 FIG. 4 is a top plan view thereof;
 FIG. 5 is a front elevation view thereof;
 FIG. 6 is a rear elevation view thereof;
 FIG. 7 is a right side elevation view thereof; and,
 FIG. 8 is a left side elevation view thereof.

1 Claim, 2 Drawing Sheets



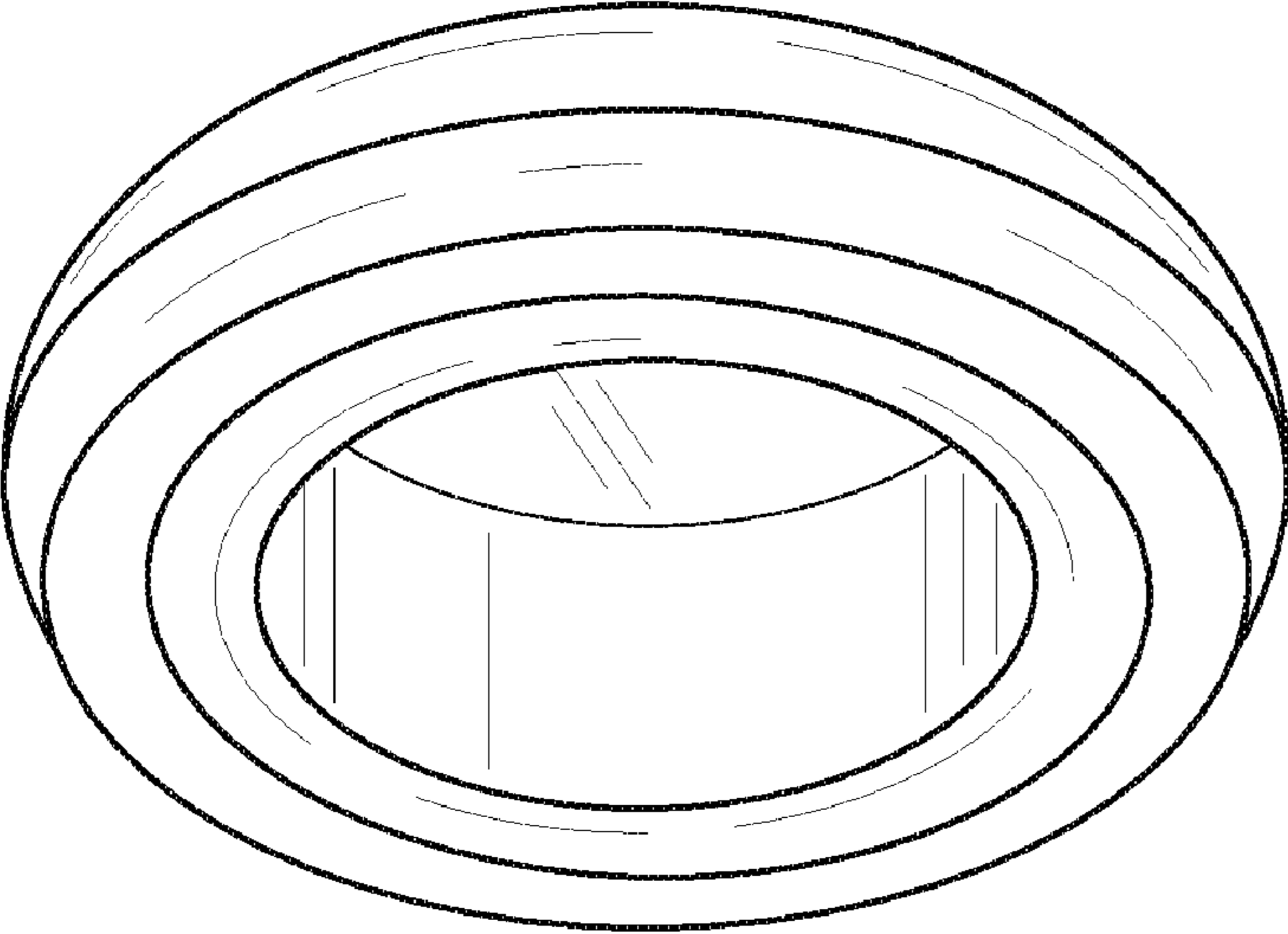


FIG. 1

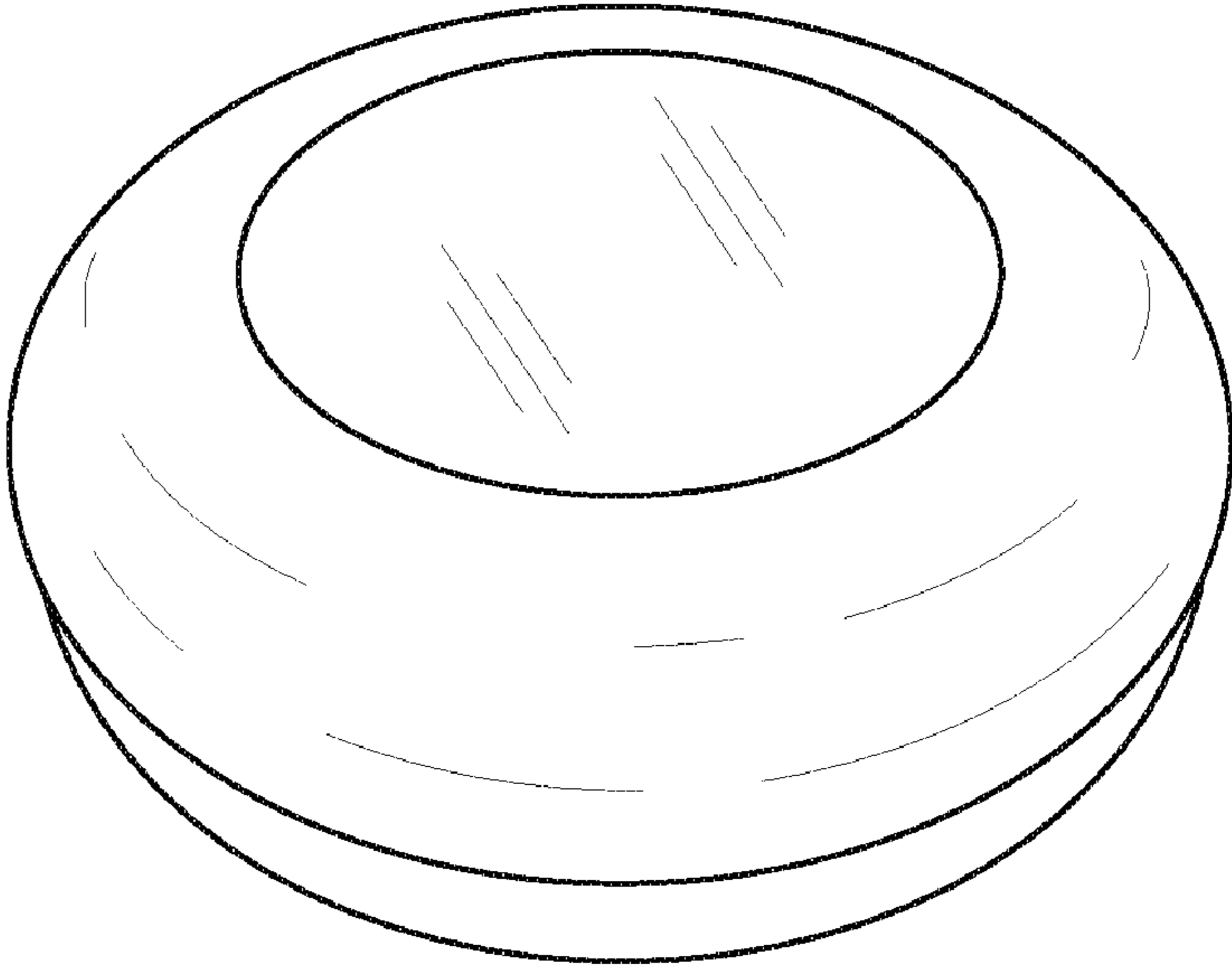


FIG. 2

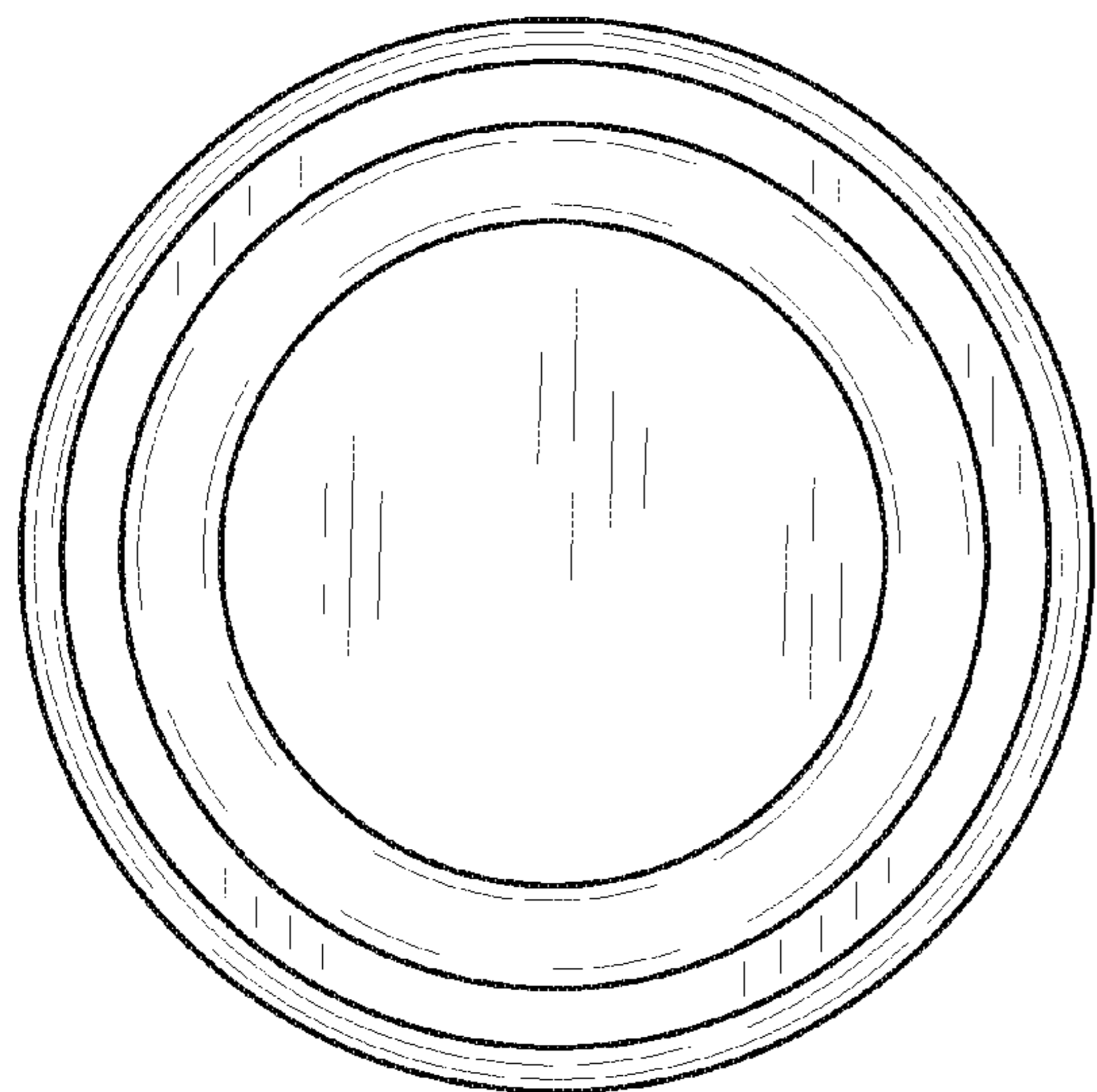


FIG. 3

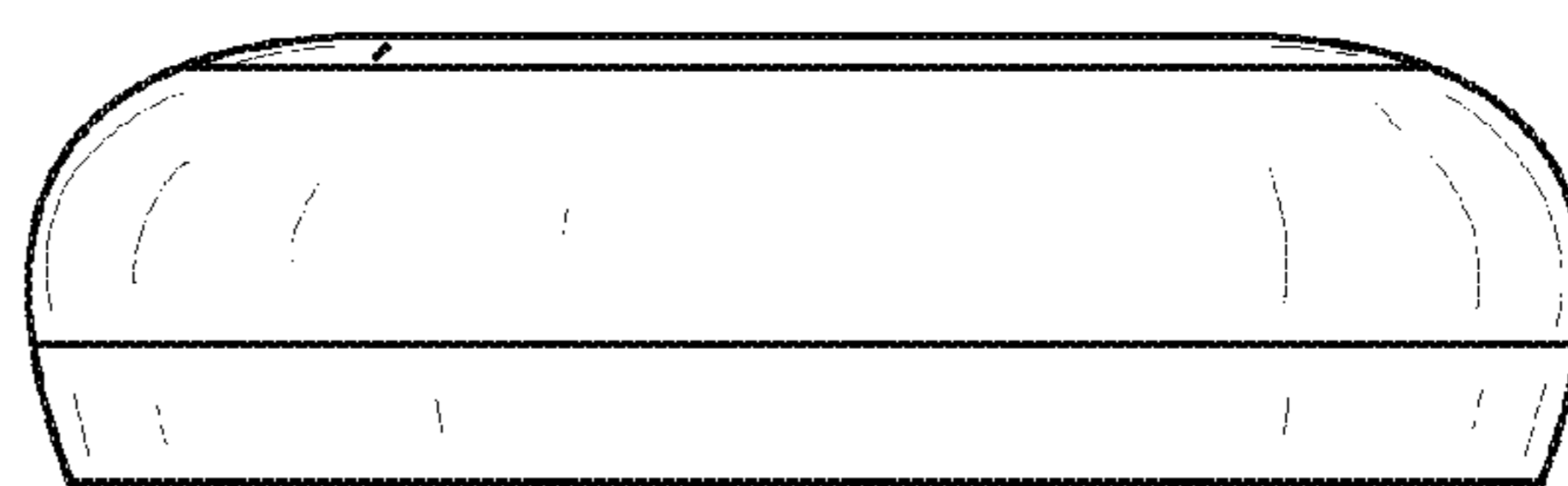


FIG. 5

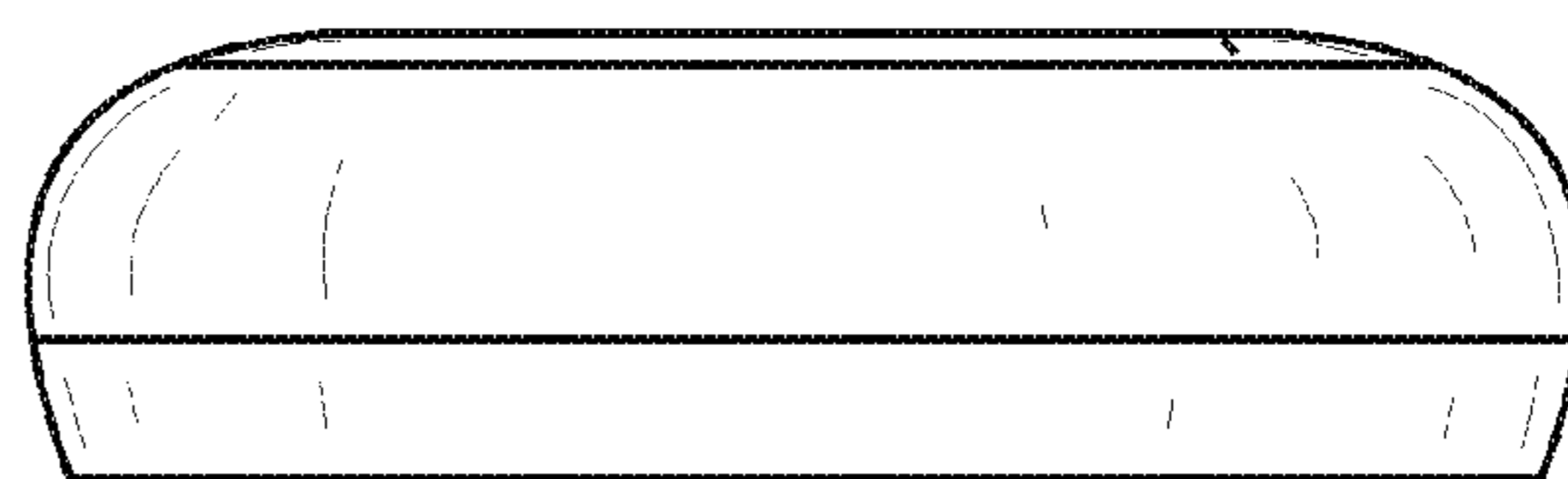


FIG. 6

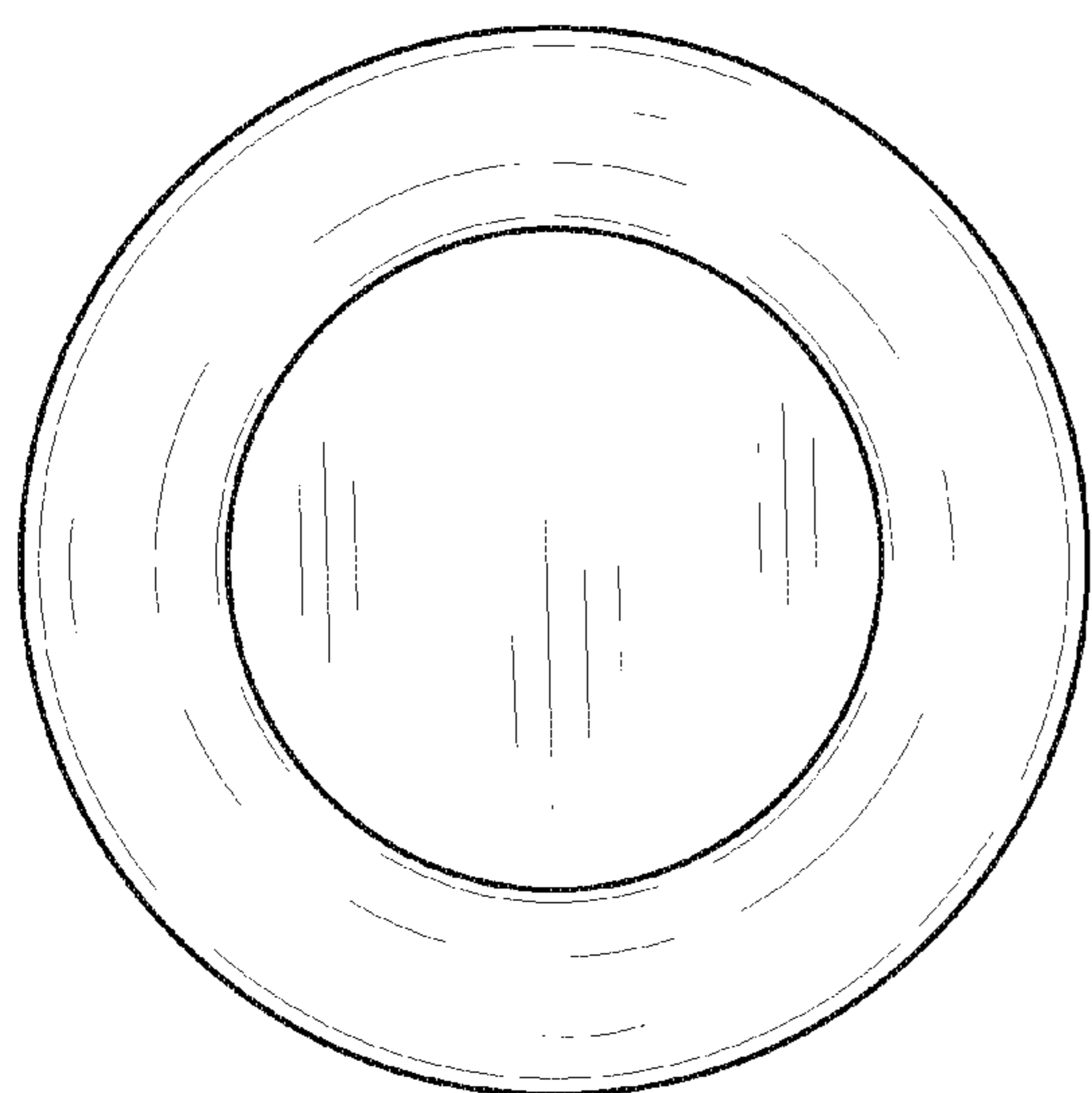


FIG. 4

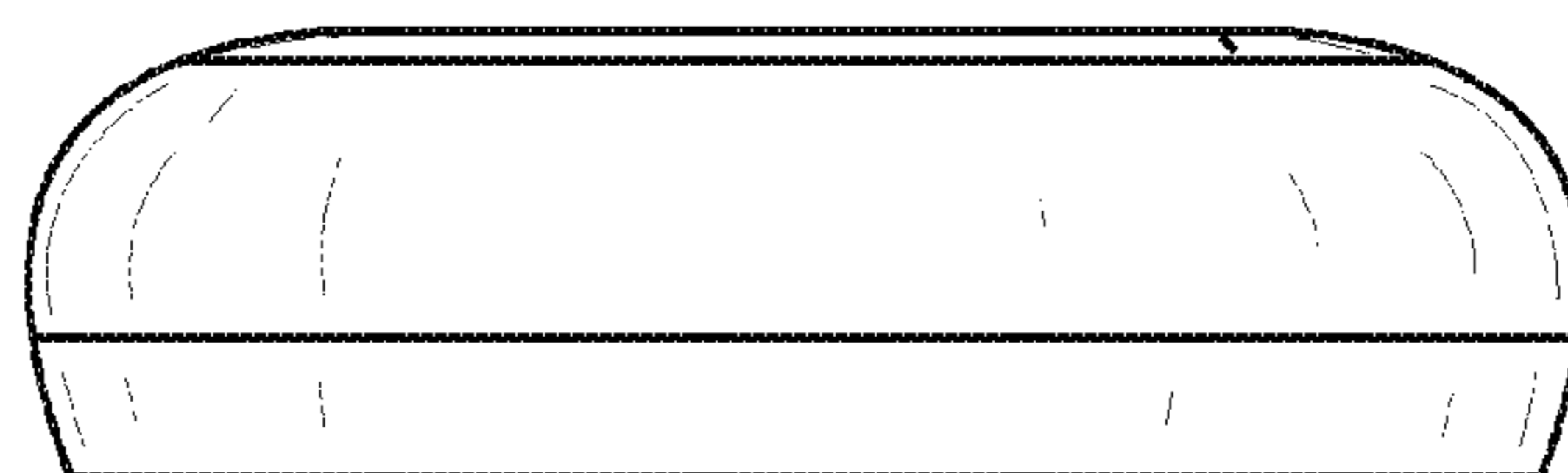


FIG. 7

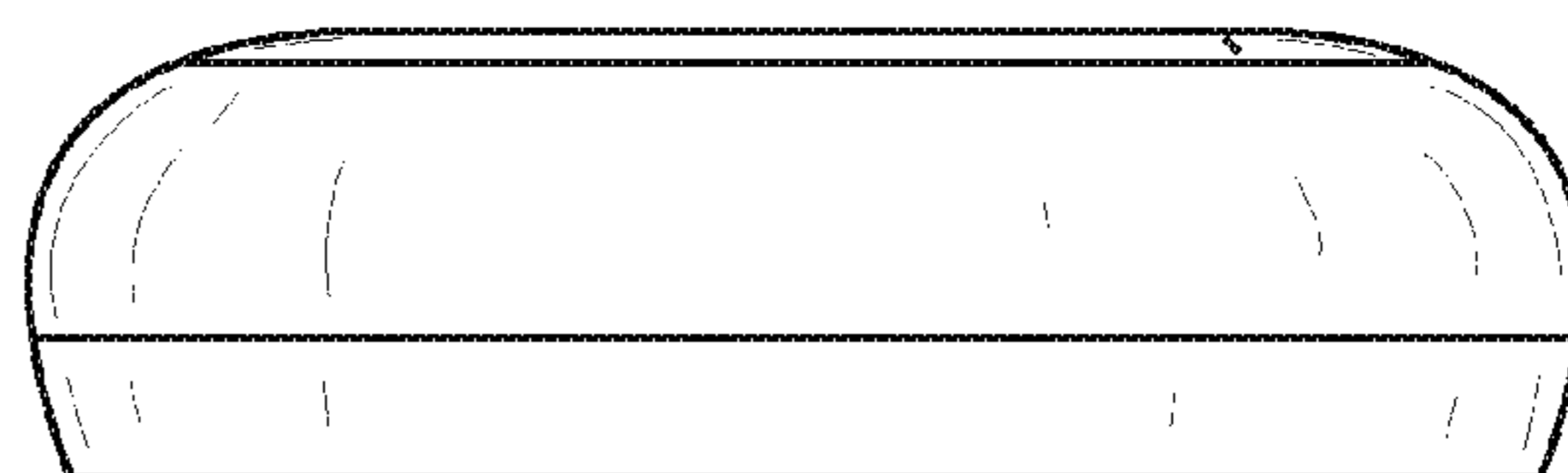


FIG. 8