



US00D640755S

(12) **United States Design Patent**
Herlitz et al.

(10) **Patent No.:** **US D640,755 S**
(45) **Date of Patent:** **** Jun. 28, 2011**

(54) **RIDE-ON TOY CAR**

(75) Inventors: **Todd Herlitz**, Chicago, IL (US); **Joseph Agati**, Chicago, IL (US)

(73) Assignee: **Radio Flyer Inc.**, Chicago, IL (US)

(**) Term: **14 Years**

(21) Appl. No.: **29/368,667**

(22) Filed: **Aug. 26, 2010**

(51) **LOC (9) Cl.** **21-01**

(52) **U.S. Cl.** **D21/433**

(58) **Field of Classification Search** D21/419,
D21/424, 426, 433, 503, 533, 548, 549, 592,
D21/831, 832, 833; 280/1.16, 1.165, 1.167,
280/1.191, 1.192, 1.22, 1.23, 827, 828, 87.01,
280/87.021, 87.03

See application file for complete search history.

(56) **References Cited**

U.S. PATENT DOCUMENTS

D102,084 S * 11/1936 Kraeft D21/433
D147,423 S * 9/1947 Smith D21/433
D213,511 S * 3/1969 Moribe D21/433
D374,256 S * 10/1996 Golling D21/433

D439,934 S * 4/2001 Wang D21/433
D449,861 S * 10/2001 Chiapetta et al. D21/433
D458,314 S * 6/2002 Allemeier D21/433
D620,539 S * 7/2010 Badanjo D21/551

* cited by examiner

Primary Examiner — Cynthia M Chin

(74) *Attorney, Agent, or Firm* — R. Blake Johnston, Esq.;
DLA Piper LLP (US)

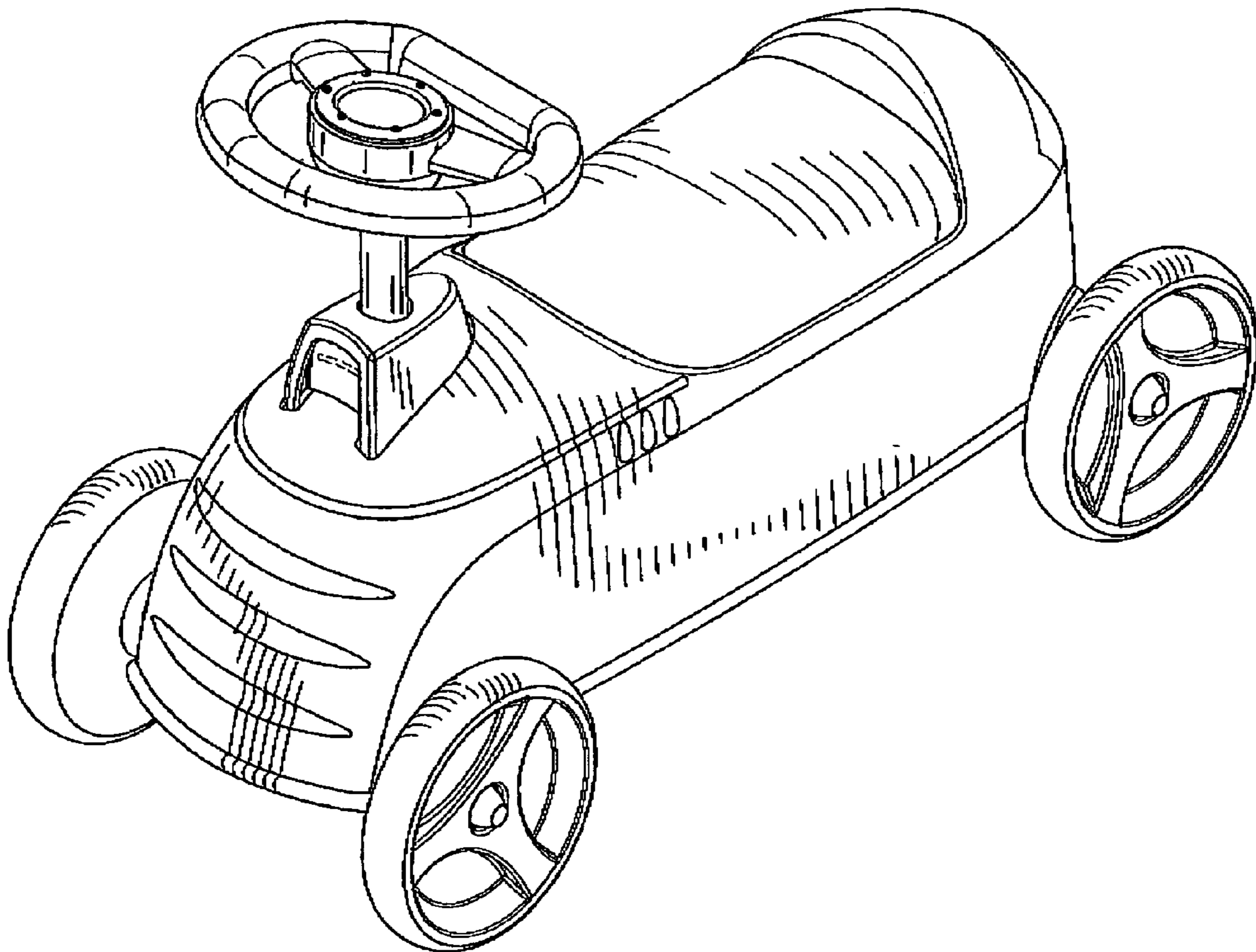
(57) **CLAIM**

The ornamental design for a ride-on toy car, as shown and described.

DESCRIPTION

FIG. 1 is a perspective view of the ride-on toy car;
FIG. 2 is a rear elevational view of the ride-on toy car;
FIG. 3 is a front elevational view of the ride-on toy car;
FIG. 4 is a left side elevational view of the ride-on toy car, the opposite side of which is an mirror image;
FIG. 5 is a top plan view of the ride-on toy car; and,
FIG. 6 is a bottom plan view of the ride-on toy car.
The broken lines shown are included for the purpose of illustrating the unclaimed portions of the article and form no part of the claimed design.

1 Claim, 6 Drawing Sheets



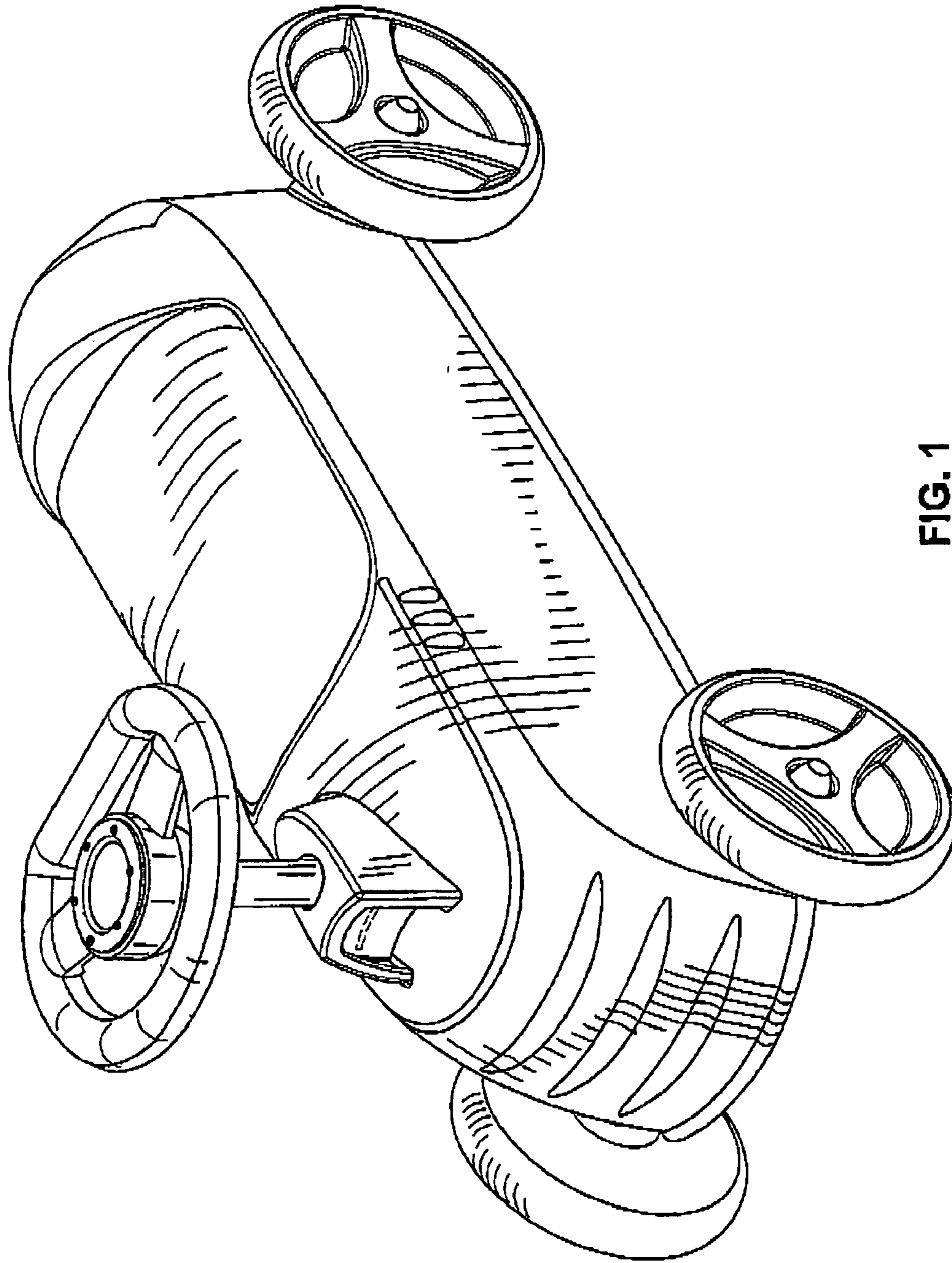


FIG. 1

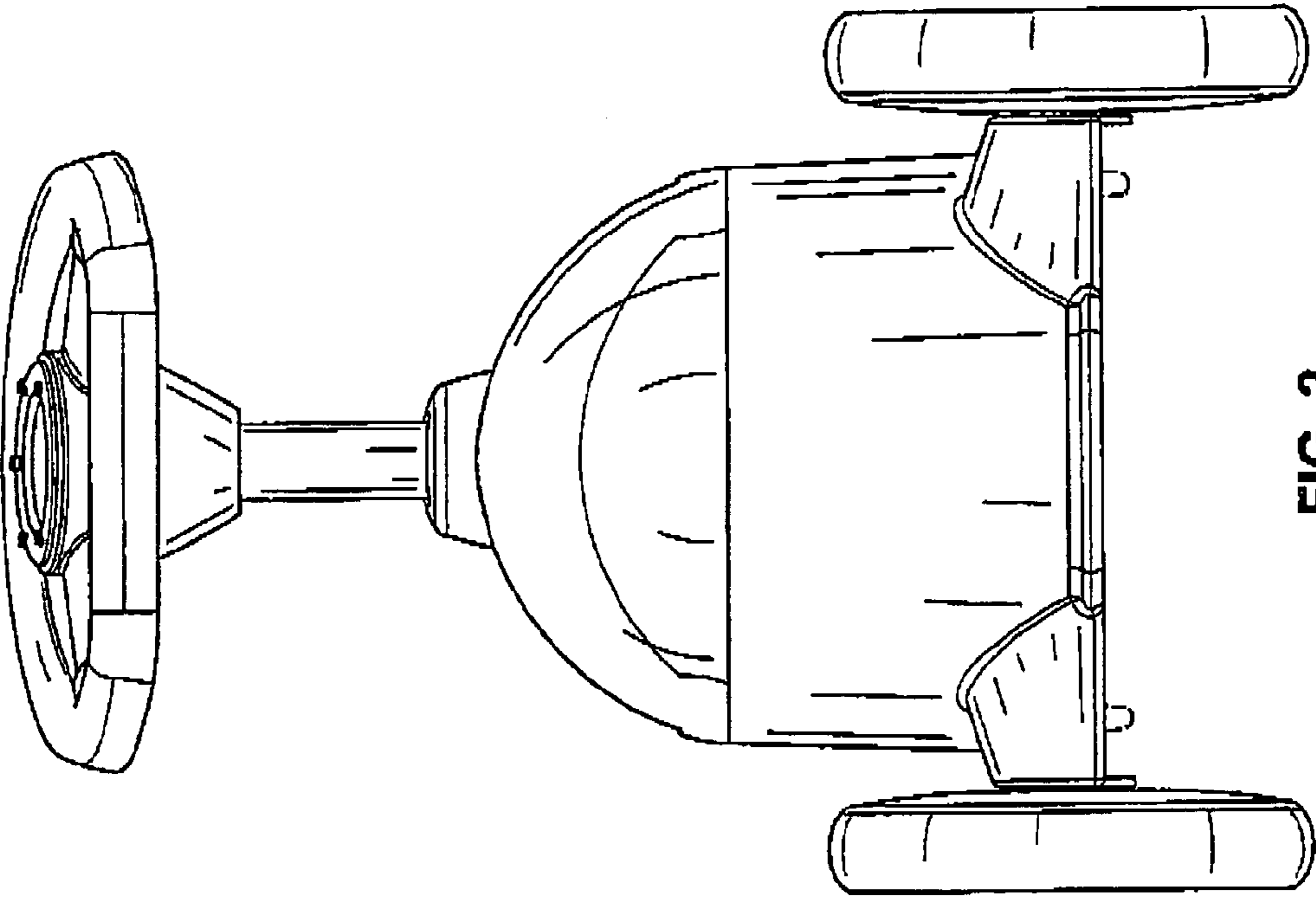


FIG. 2

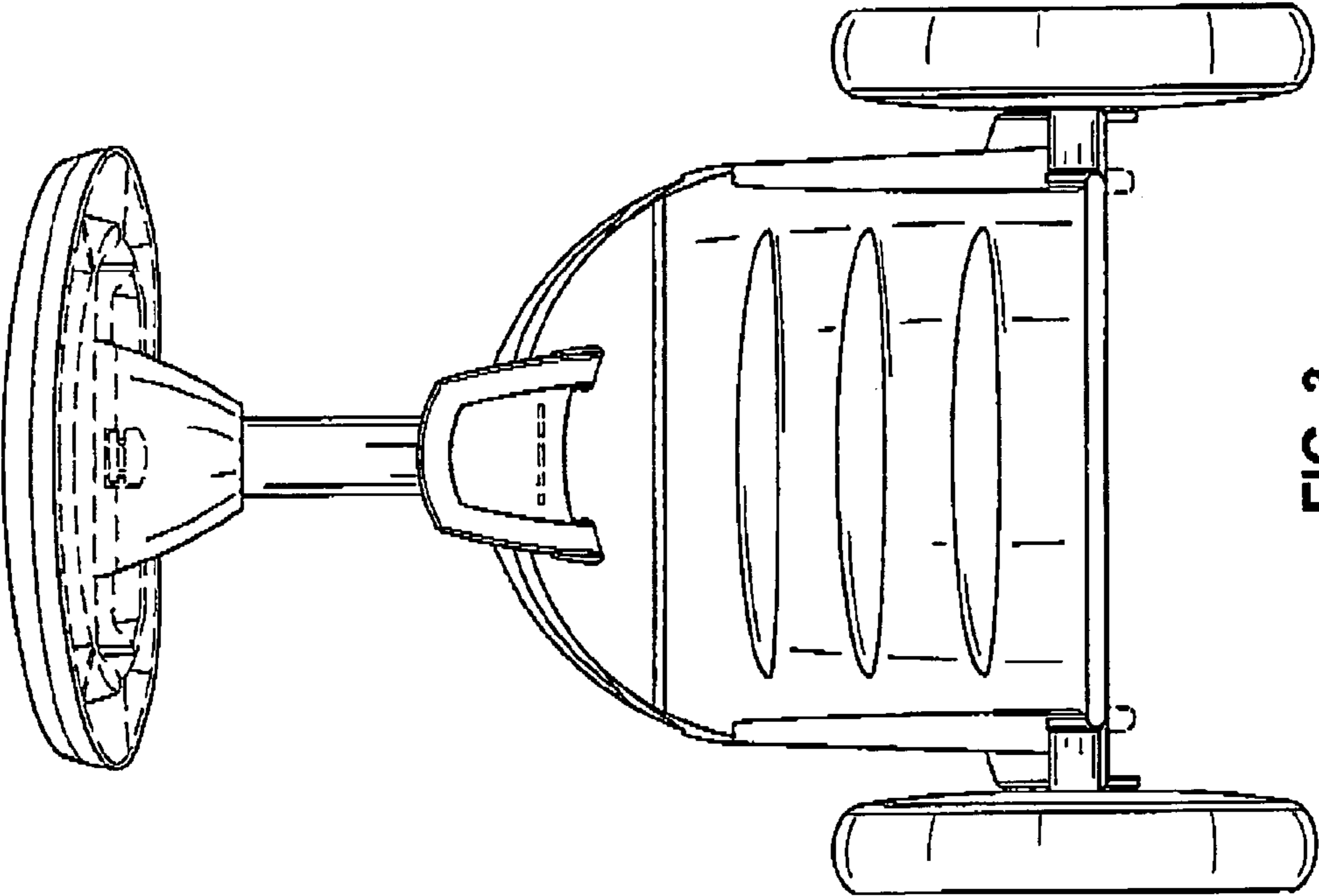


FIG. 3

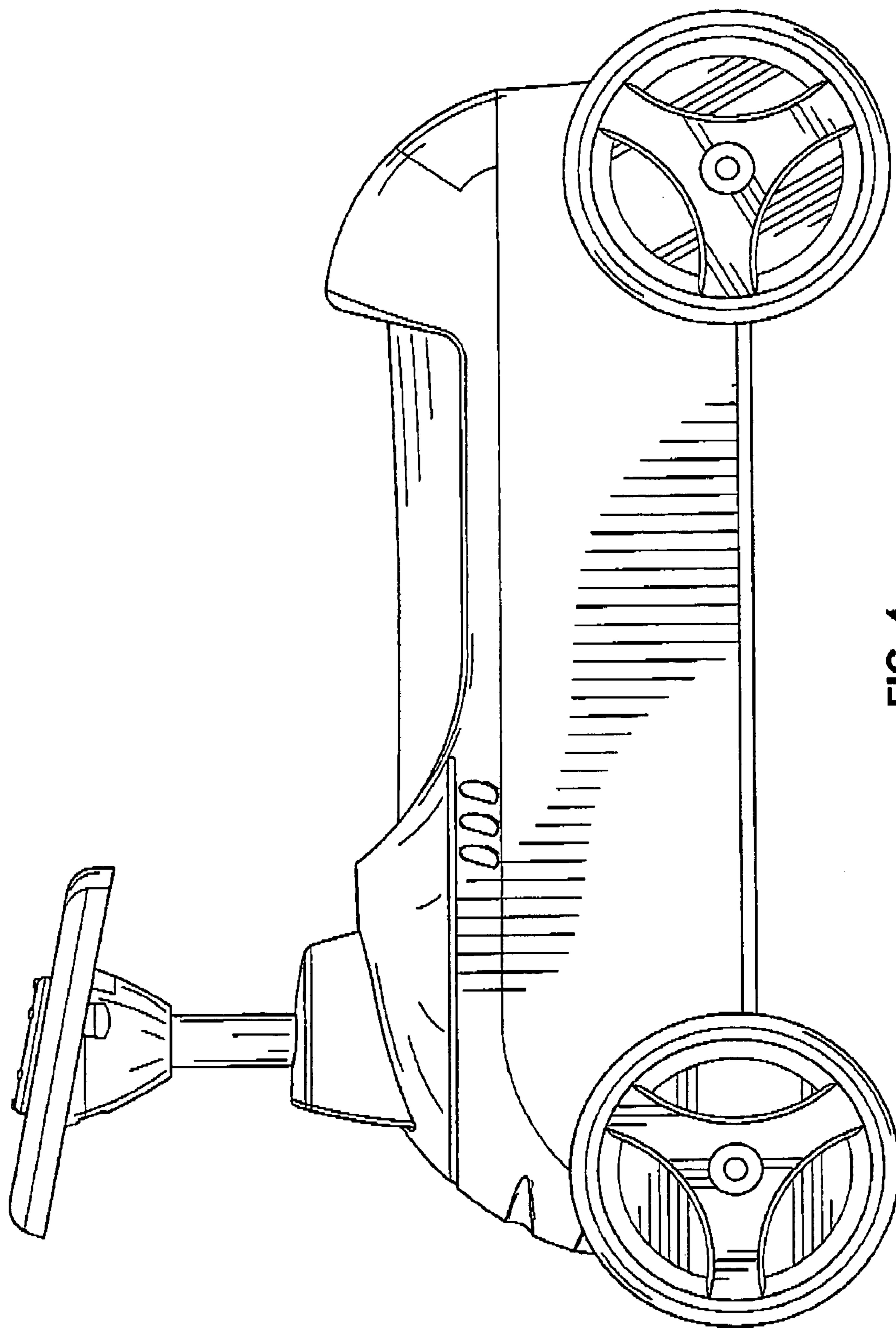


FIG. 4

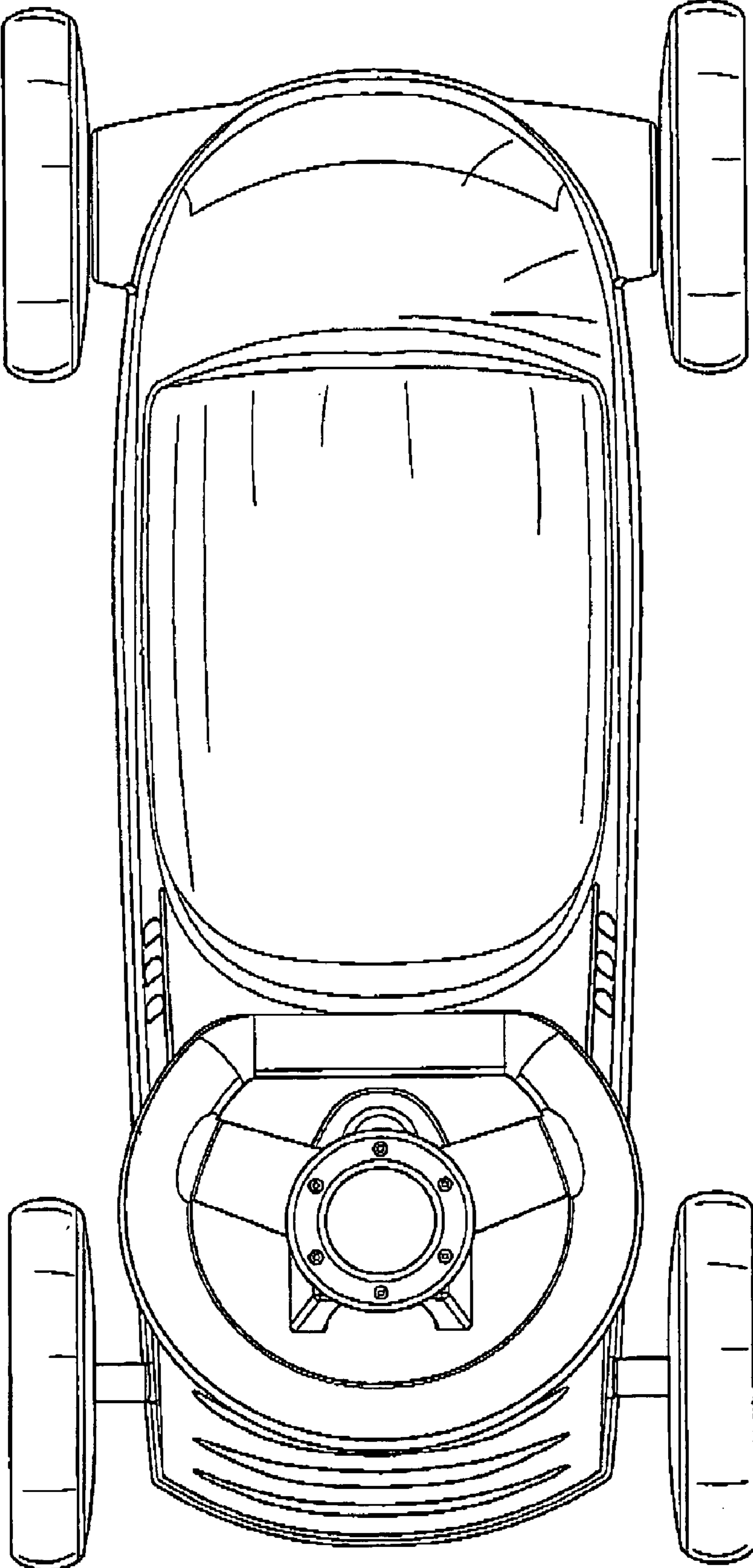


FIG. 5

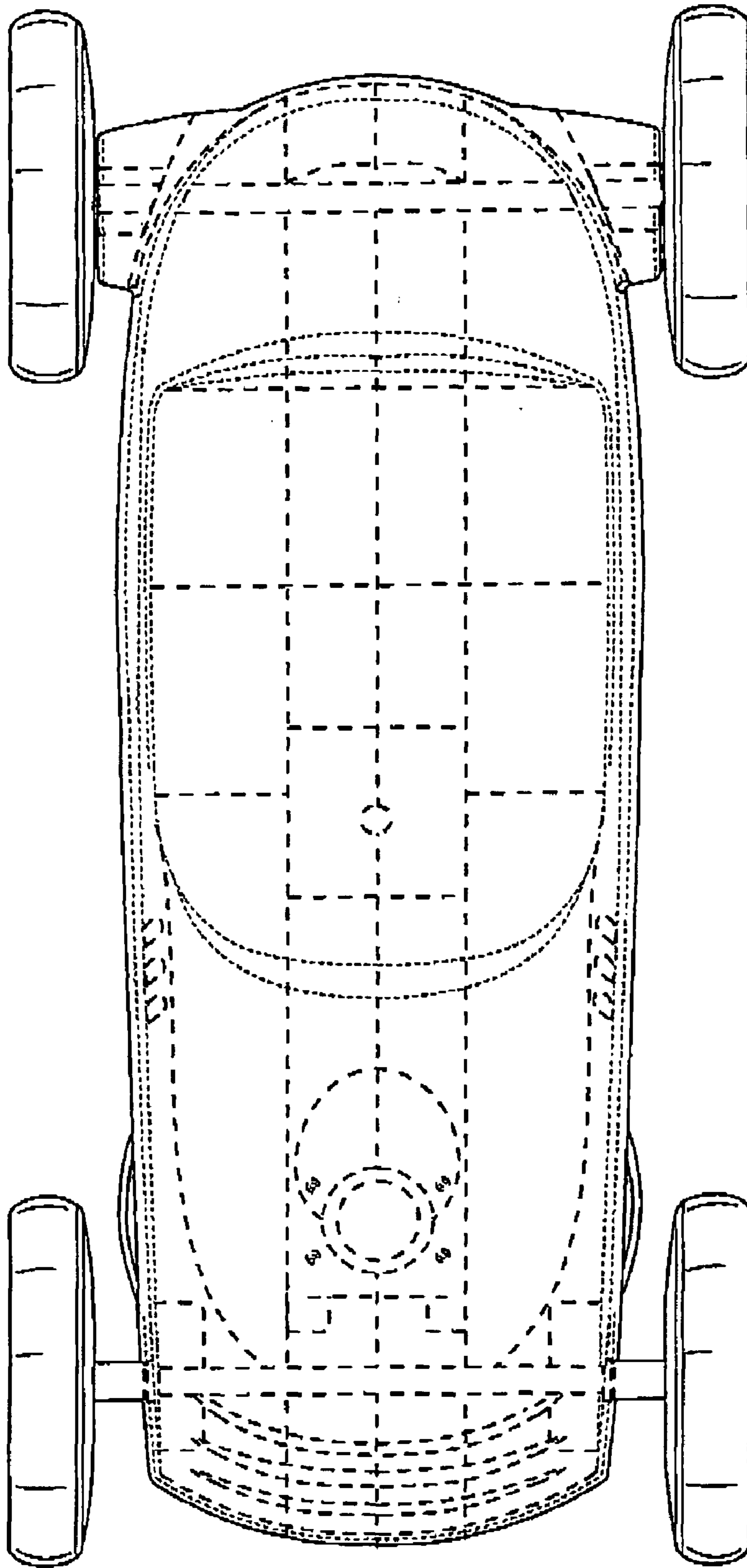


FIG. 6