



US00D640750S

(12) **United States Design Patent**
Bird et al.

(10) **Patent No.:** **US D640,750 S**
(45) **Date of Patent:** **** Jun. 28, 2011**

(54) **LABEL HOLDER**

(75) Inventors: **Greg Bird**, Solon, OH (US); **Joseph P. Kosir**, Euclid, OH (US)

(73) Assignee: **Fasteners For Retail, Inc.**, Cleveland, OH (US)

(**) Term: **14 Years**

(21) Appl. No.: **29/376,389**

(22) Filed: **Oct. 6, 2010**

(51) **LOC (9) Cl.** **20-03**

(52) **U.S. Cl.** **D20/44**

(58) **Field of Classification Search** D20/10,
D20/19, 42-44, 99; 40/124.01, 299.01, 446,
40/625-629, 649, 661, 661.02, 661.03, 662,
40/745; D6/300, 314; D25/119; 248/300

See application file for complete search history.

(56) **References Cited**

U.S. PATENT DOCUMENTS

D99,822	S	*	5/1936	Newhard	D20/10
D141,059	S	*	5/1945	Siegel	D6/314
2,409,814	A	*	10/1946	Vargish	40/745
D238,528	S	*	1/1976	Crawford	D6/314
4,295,288	A		10/1981	Westberg		

D273,204	S	*	3/1984	Baker	D20/44
D308,990	S	*	7/1990	Grossman	D20/43
D573,656	S	*	7/2008	Wamsley	D20/43
D580,498	S	*	11/2008	Healy et al.	D20/43
D595,782	S	*	7/2009	Whitfield	D20/43

OTHER PUBLICATIONS

FFR-DSI Yellow Pages® 2010 Product Catalog, "Renew—Refresh—Remodel With Total Retail Solutions From FFR-DSI!", Cover page and pp. 59-69.

* cited by examiner

Primary Examiner — Mary Ann Calabrese

(74) *Attorney, Agent, or Firm* — Fay Sharpe LLP

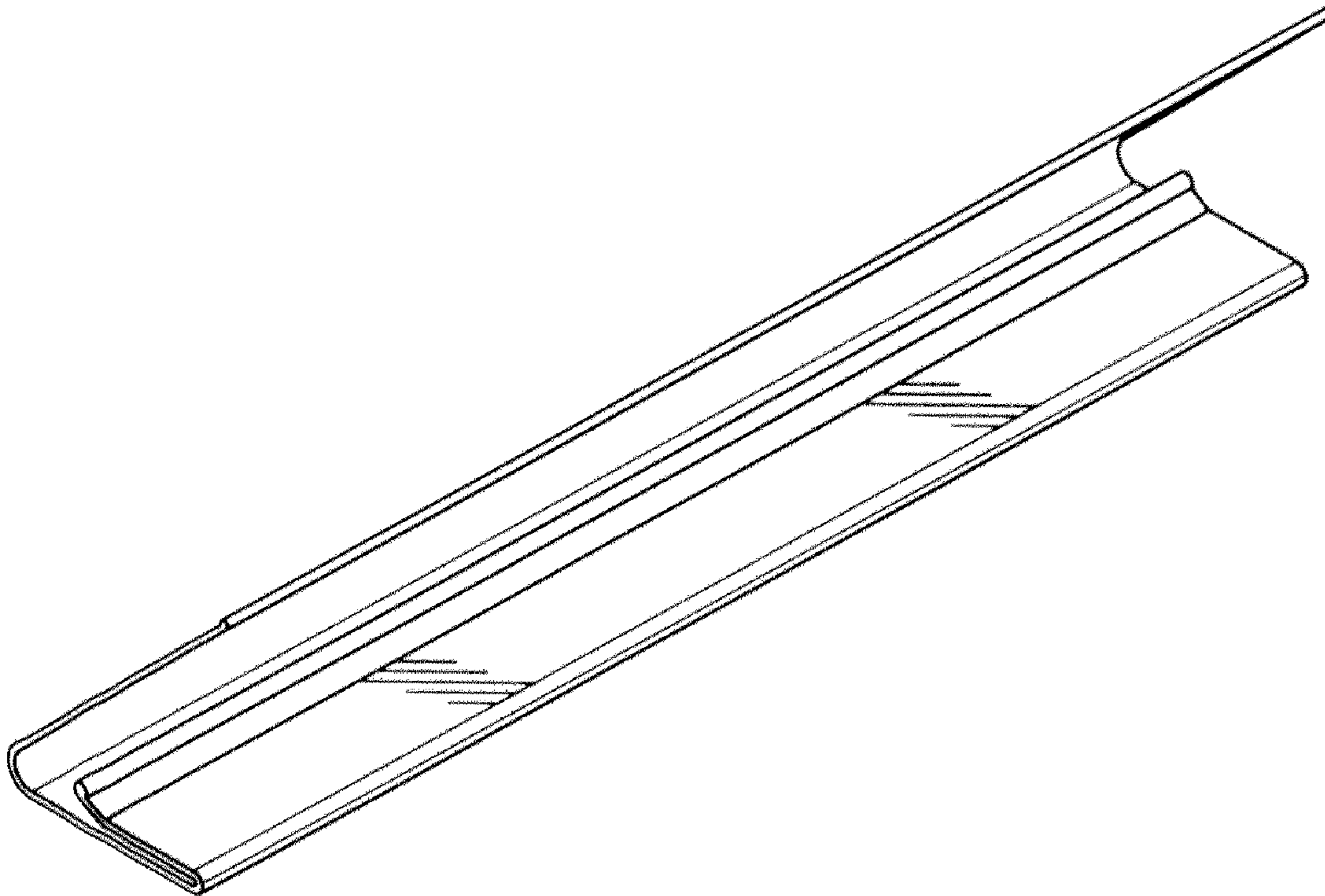
(57) **CLAIM**

The ornamental design for a label holder, as shown and described.

DESCRIPTION

FIG. 1 is a perspective view from the rear upper right side of a label holder showing my new design; FIG. 2 is a right side elevational view thereof, with a left side elevational view being a mirror image thereof; FIG. 3 is a top plan view thereof; FIG. 4 is a bottom plan view thereof; FIG. 5 is a front elevational view thereof; and, FIG. 6 is a rear elevational view thereof.

1 Claim, 2 Drawing Sheets



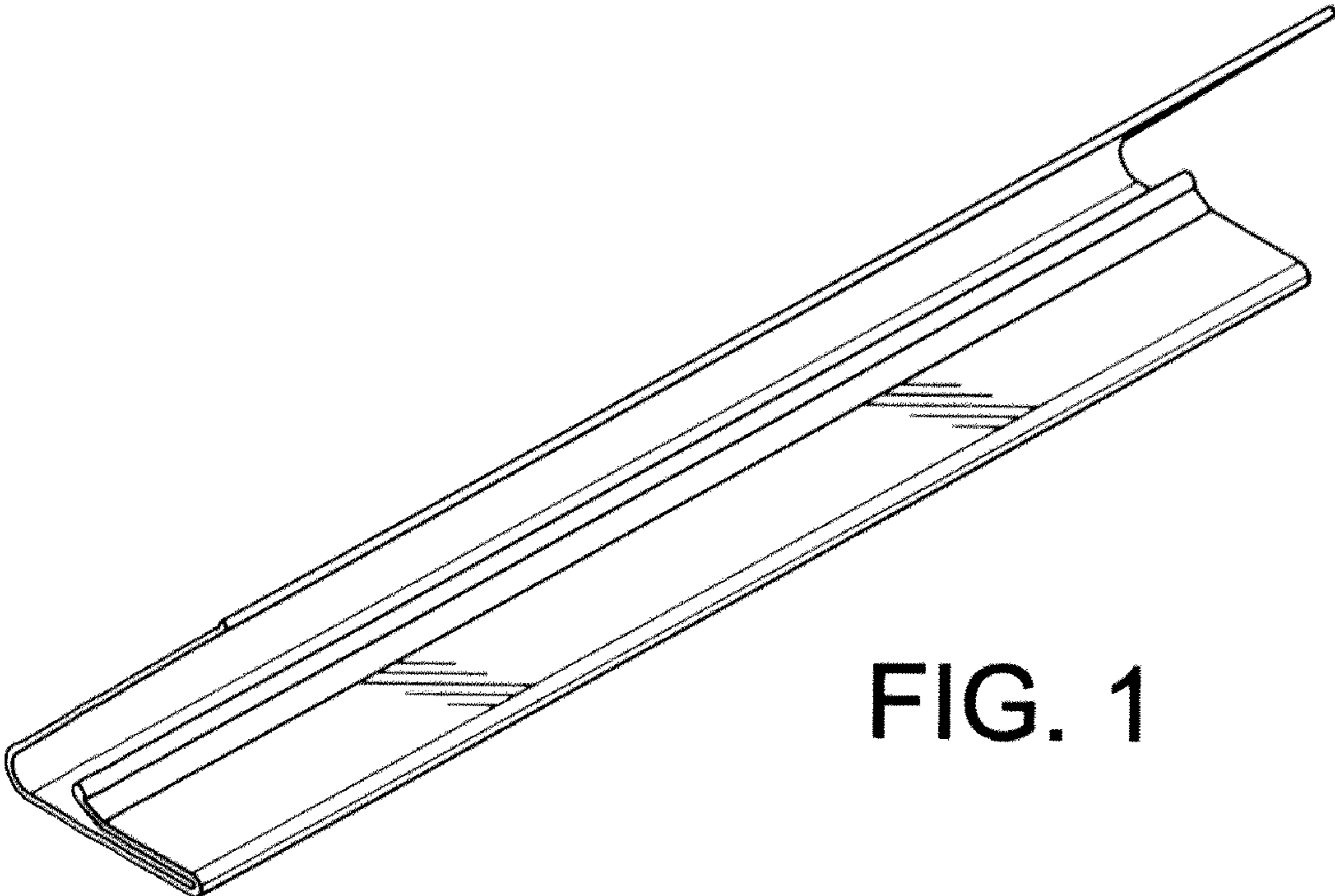


FIG. 1

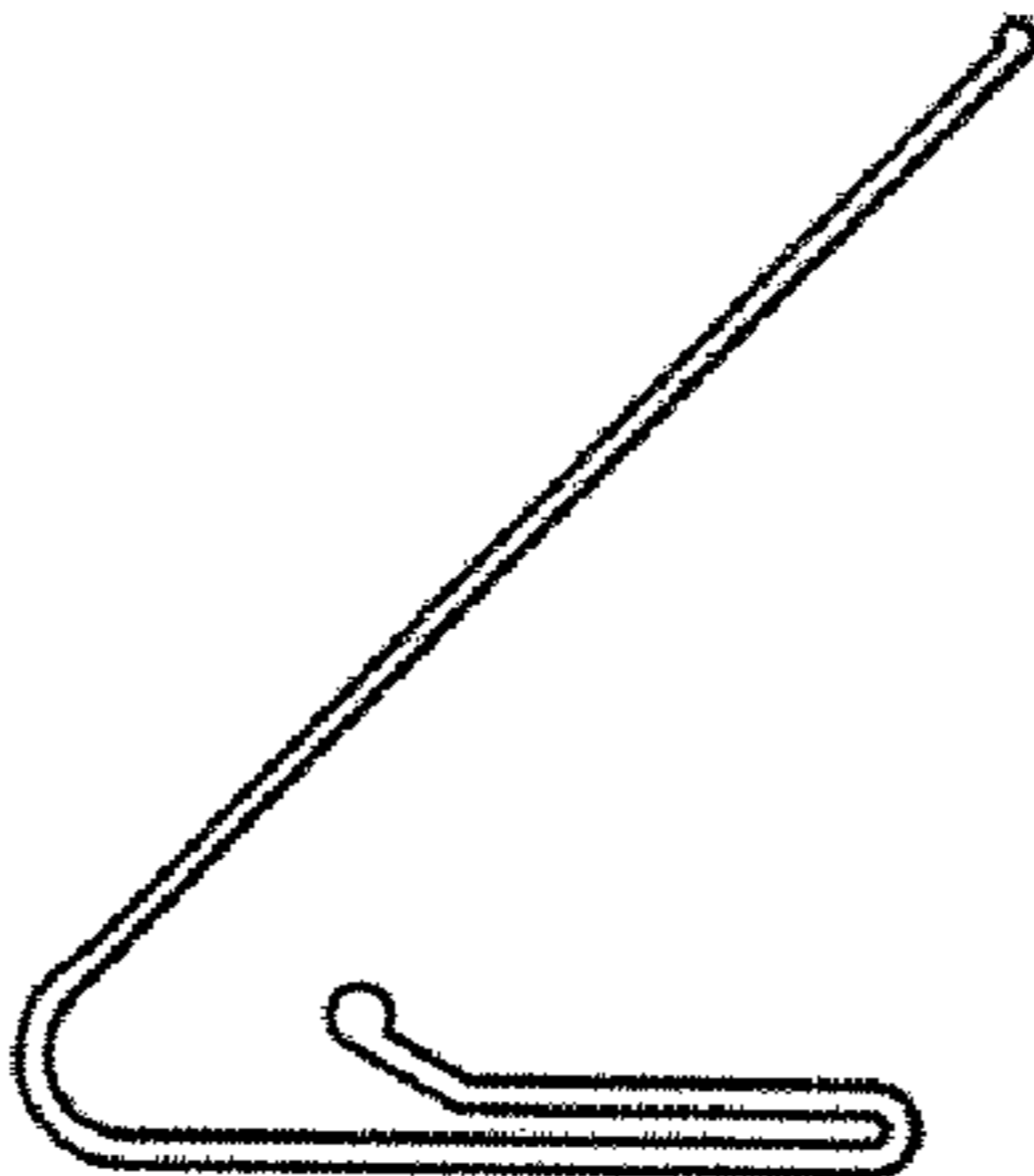


FIG. 2

FIG. 3

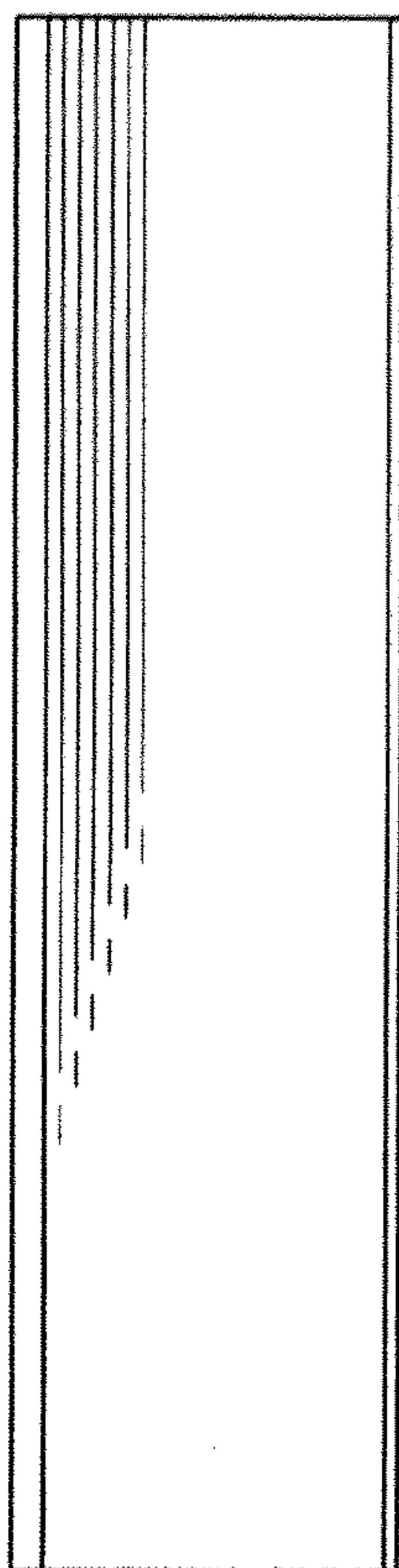


FIG. 4

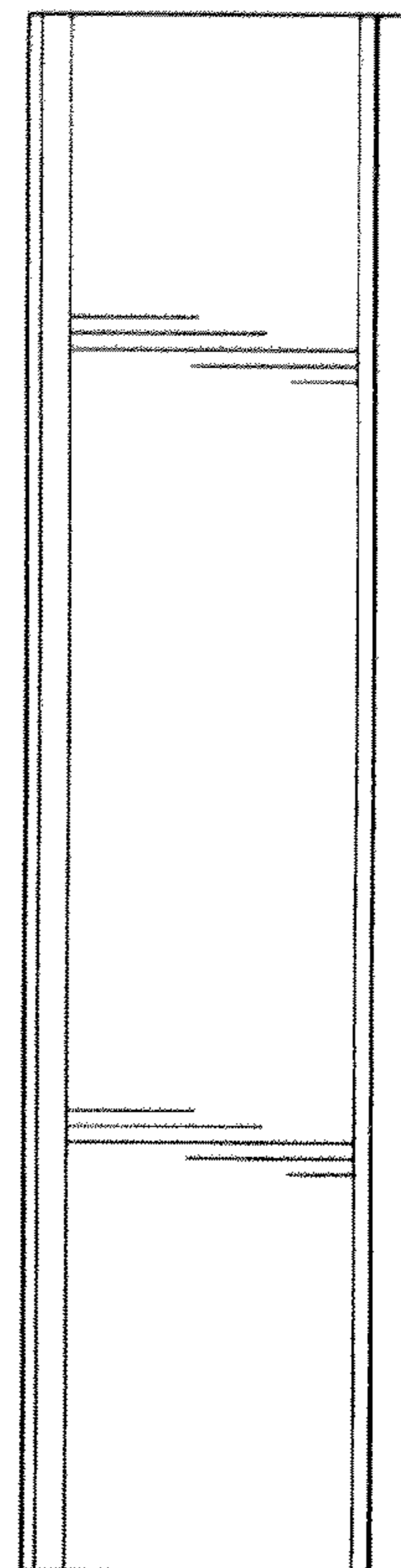


FIG. 5

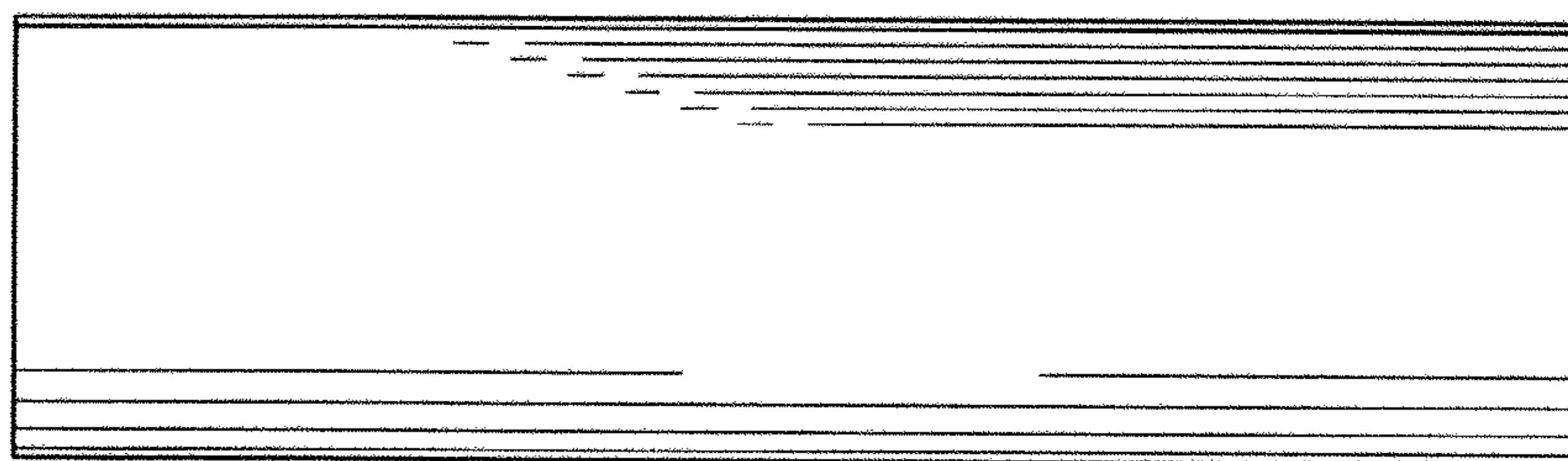


FIG. 6

