



US00D640749S

(12) **United States Design Patent**
Darress

(10) **Patent No.:** **US D640,749 S**

(45) **Date of Patent:** **** Jun. 28, 2011**

(54) **SHELF LABEL**

(76) Inventor: **Ronald Darress**, Lynbrook, NY (US)

(**) Term: **14 Years**

(21) Appl. No.: **29/367,827**

(22) Filed: **Aug. 13, 2010**

(51) **LOC (9) Cl.** **20-02**

(52) **U.S. Cl.** **D20/40; D20/22**

(58) **Field of Classification Search** D20/10,
D20/19, 22-29, 39, 40-43, 99; 40/124.01-124.09,
40/124.11-124.19, 124.191, 299.01, 310,
40/360, 446, 538, 541, 584, 626, 628-630,
40/638, 642.02, 649, 650, 654, 661, 661.01-661.03,
40/661.08, 661.09, 661.11; 206/449; 283/56,
283/70, 71, 81, 105, 106

See application file for complete search history.

(56) **References Cited**

U.S. PATENT DOCUMENTS

1,348,899	A *	8/1920	Sargent	40/310
2,720,044	A *	10/1955	Montalto	40/649
2,984,031	A *	5/1961	Giesecke	40/649
3,077,686	A *	2/1963	Montalto	40/649
3,774,328	A *	11/1973	Tanney	40/661.09
D245,290	S *	8/1977	Kingsford	D20/10
4,161,074	A *	7/1979	DePinna	40/124.05
4,716,669	A *	1/1988	Fast	40/650
4,798,014	A *	1/1989	Stoerzinger et al.	40/642.02
5,848,698	A *	12/1998	Stompe	206/449
6,701,653	B2 *	3/2004	Chess et al.	40/638
D505,699	S *	5/2005	Lawson	D20/23
D535,701	S *	1/2007	Lawson	D20/23

D602,532 S * 10/2009 Tegtmeier et al. D20/10
2001/0054817 A1 * 12/2001 Kelley et al. 283/70
2004/0093772 A1 * 5/2004 Gottlieb et al. 40/124.05

* cited by examiner

Primary Examiner — Mary Ann Calabrese
(74) *Attorney, Agent, or Firm* — Frommer Lawrence & Haug LLP; Marilyn M. Brogan; Paul A. Levy

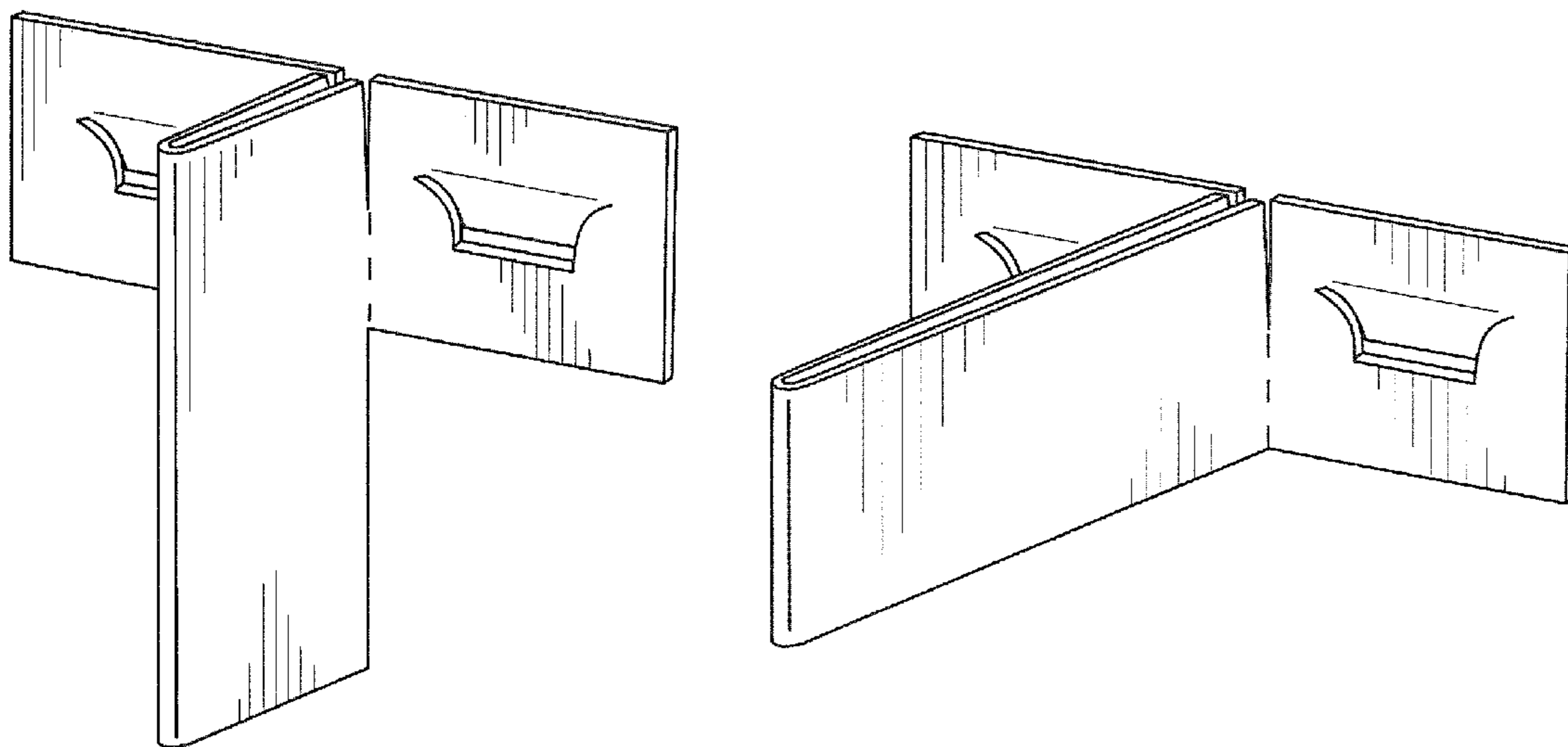
(57) **CLAIM**

The ornamental design for a shelf label, as shown and described.

DESCRIPTION

FIG. 1 is a front perspective view in the folded position of a first embodiment of a shelf label according to my invention; FIG. 2 is a front view in the unfolded position thereof; FIG. 3 is a rear view in the folded position thereof; FIG. 4 is a left side view in the folded position, the right side view being the mirror image, thereof; FIG. 5 is a top view in the folded position thereof; FIG. 6 is a bottom view in the folded position thereof; FIG. 7 is a view of the shelf label in use in the C-channel of a shelf; FIG. 8 is a front perspective view in the folded position of a second embodiment of a shelf label according to my invention; FIG. 9 is a front view in the unfolded position thereof; FIG. 10 is a rear view in the folded position thereof; FIG. 11 is a left side view in the folded position, the right side view being the mirror image, thereof; FIG. 12 is a top view in the folded position thereof; and, FIG. 13 is a bottom view in the folded position thereof. The broken lines shown directly on the surface of the claimed article, throughout the views, represent fold lines and form no part of the claimed design. The broken lines shown in FIG. 7 are environmental features and form no part of the claimed design.

1 Claim, 7 Drawing Sheets



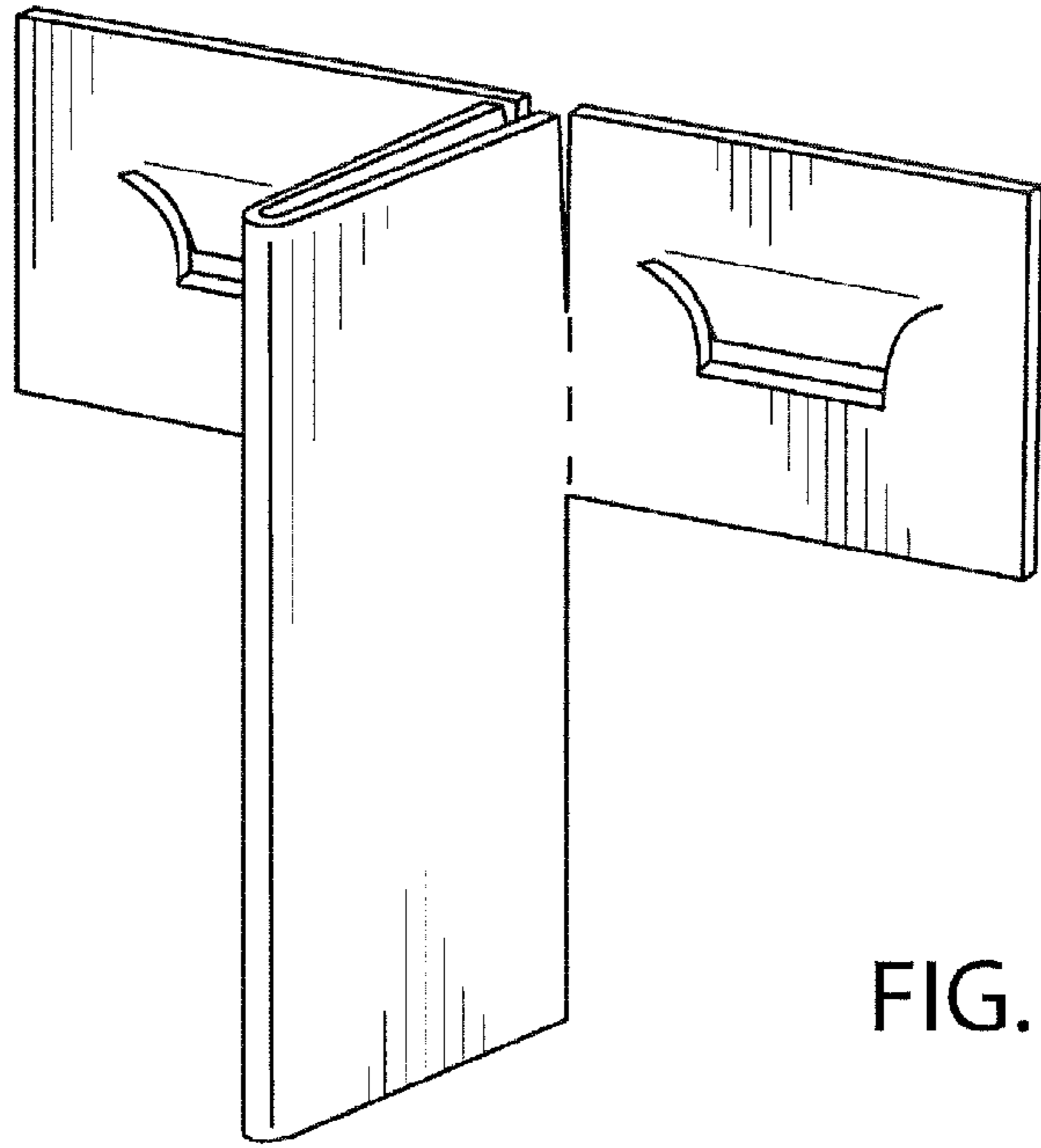


FIG. 1

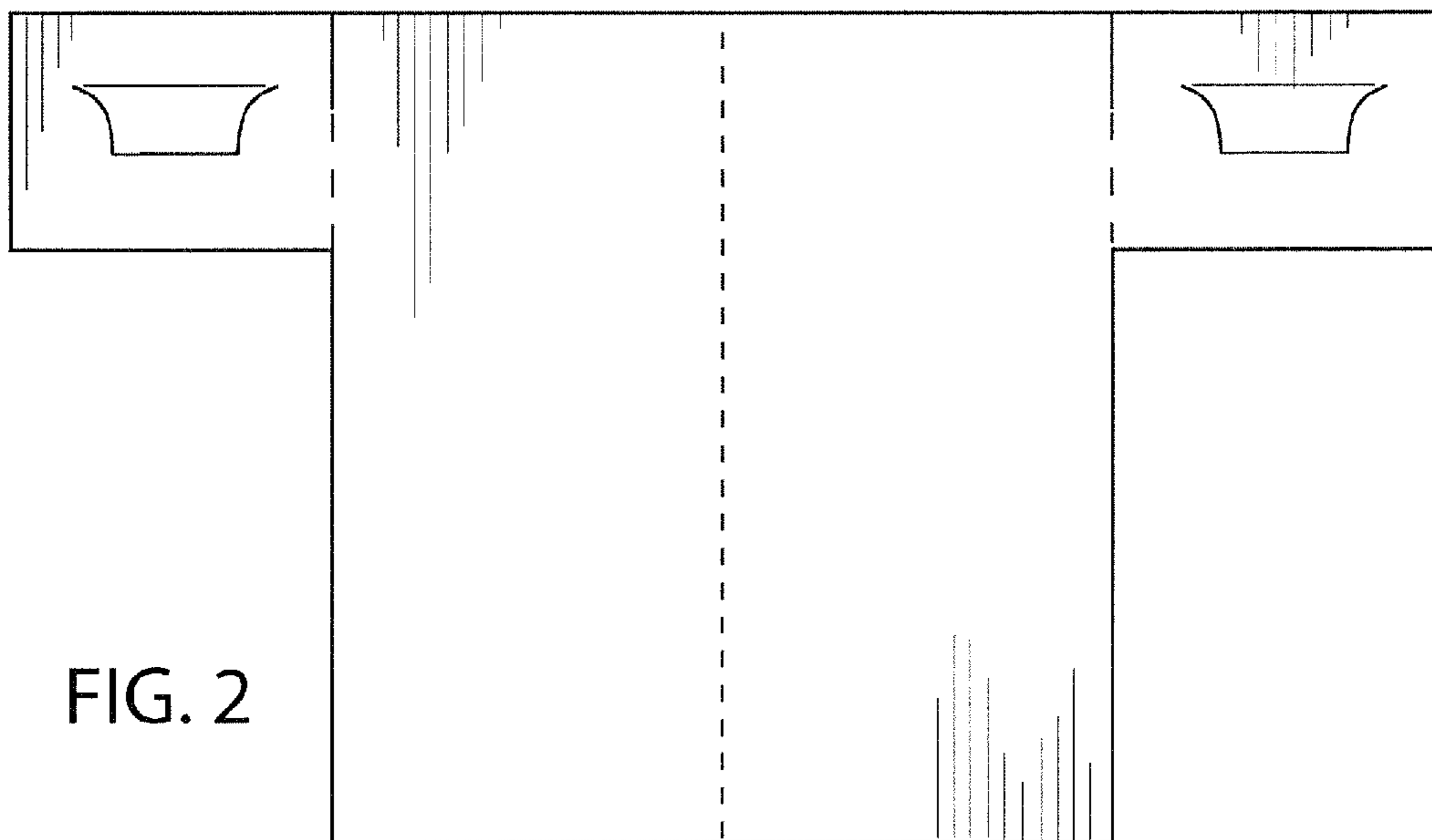


FIG. 2

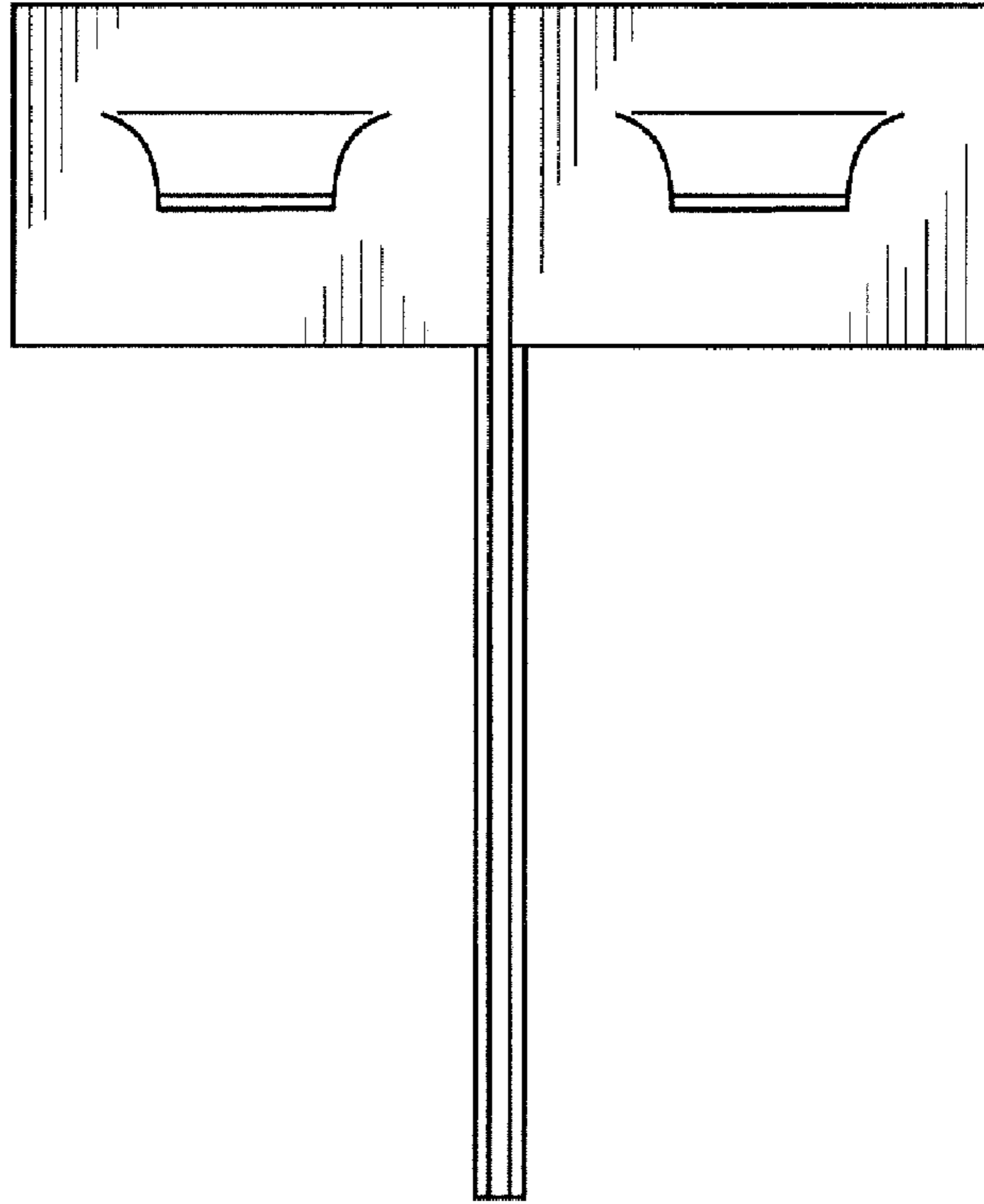


FIG. 3

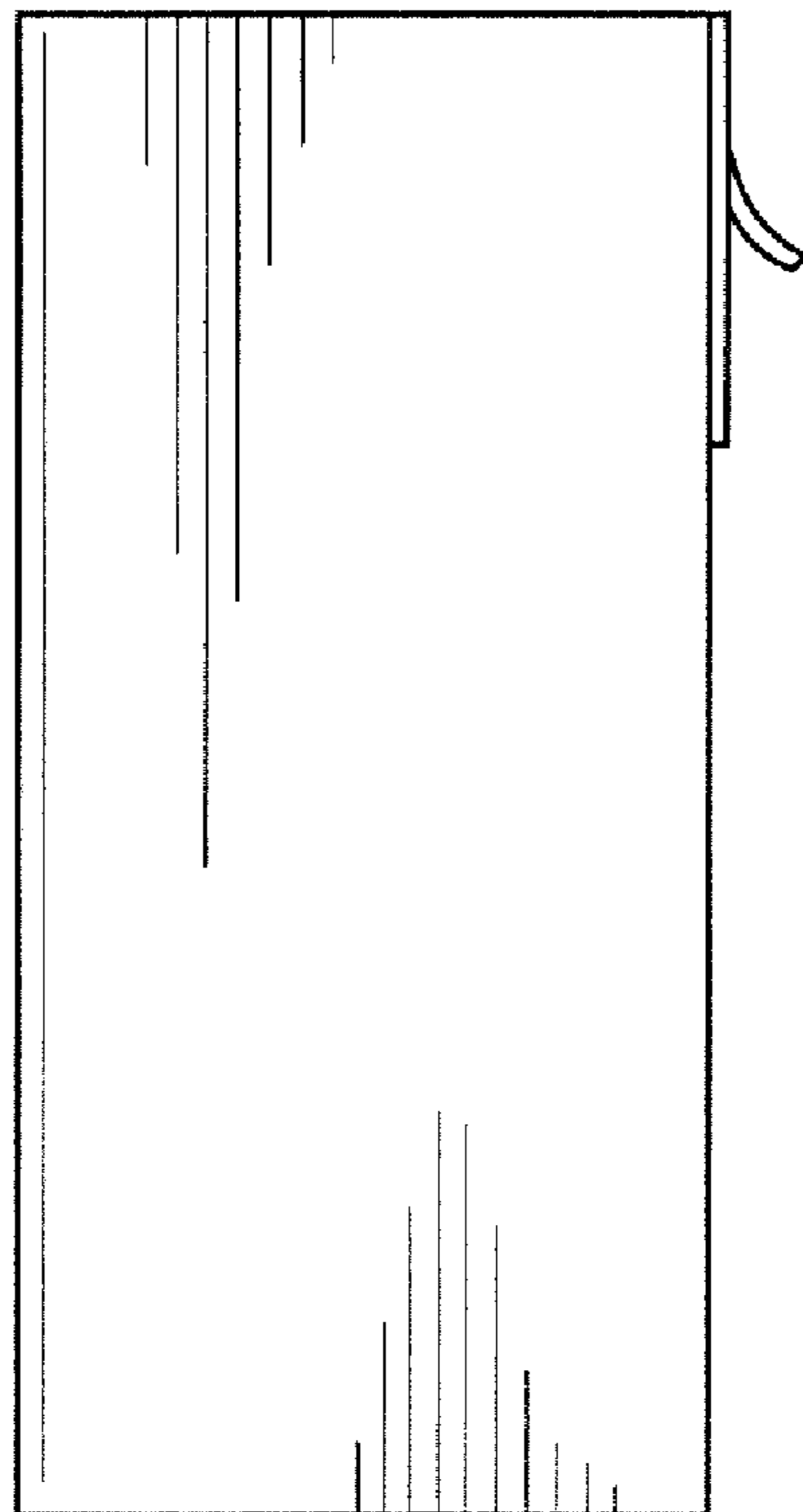


FIG. 4

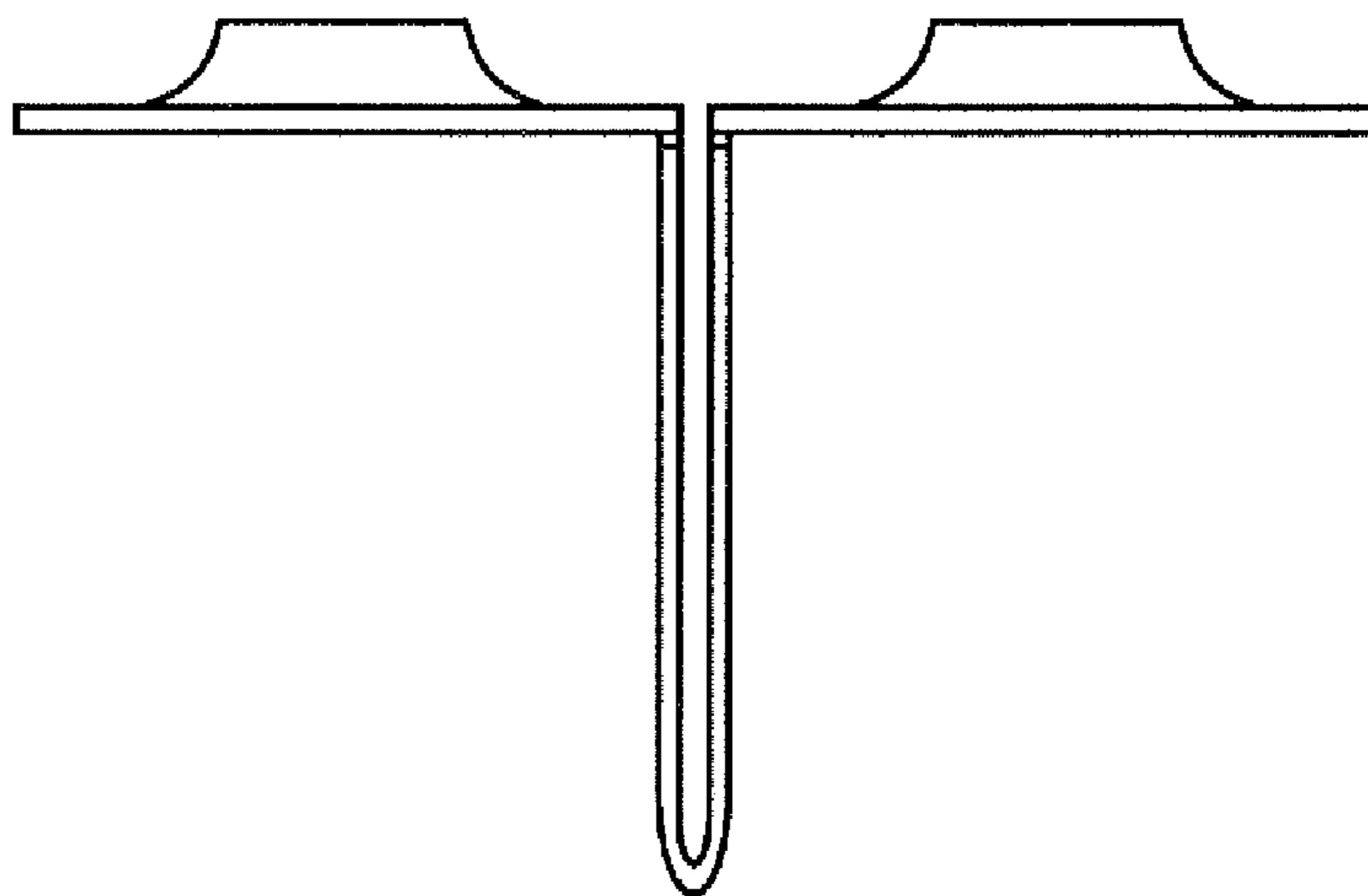


FIG. 5

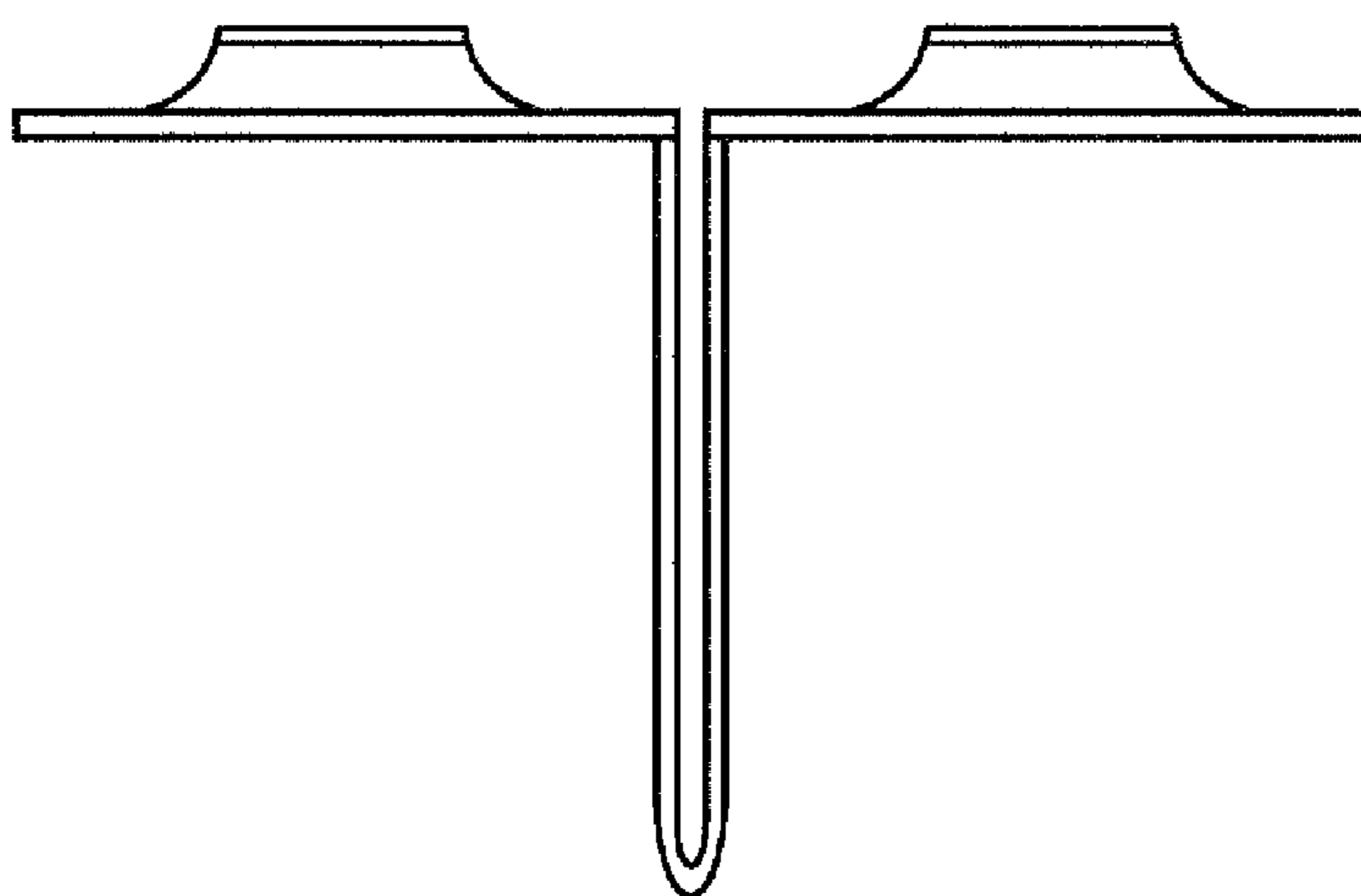


FIG. 6

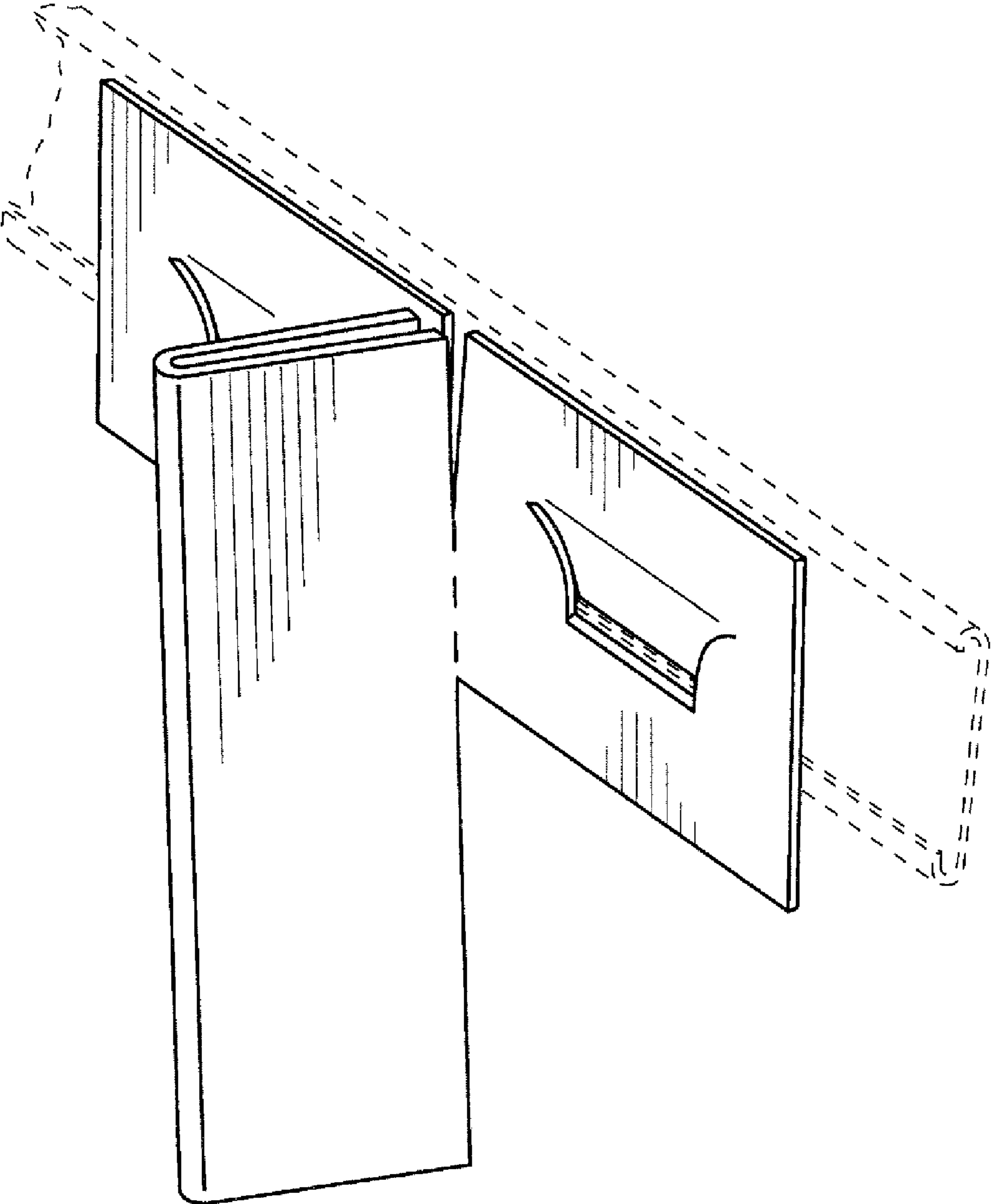


FIG. 7

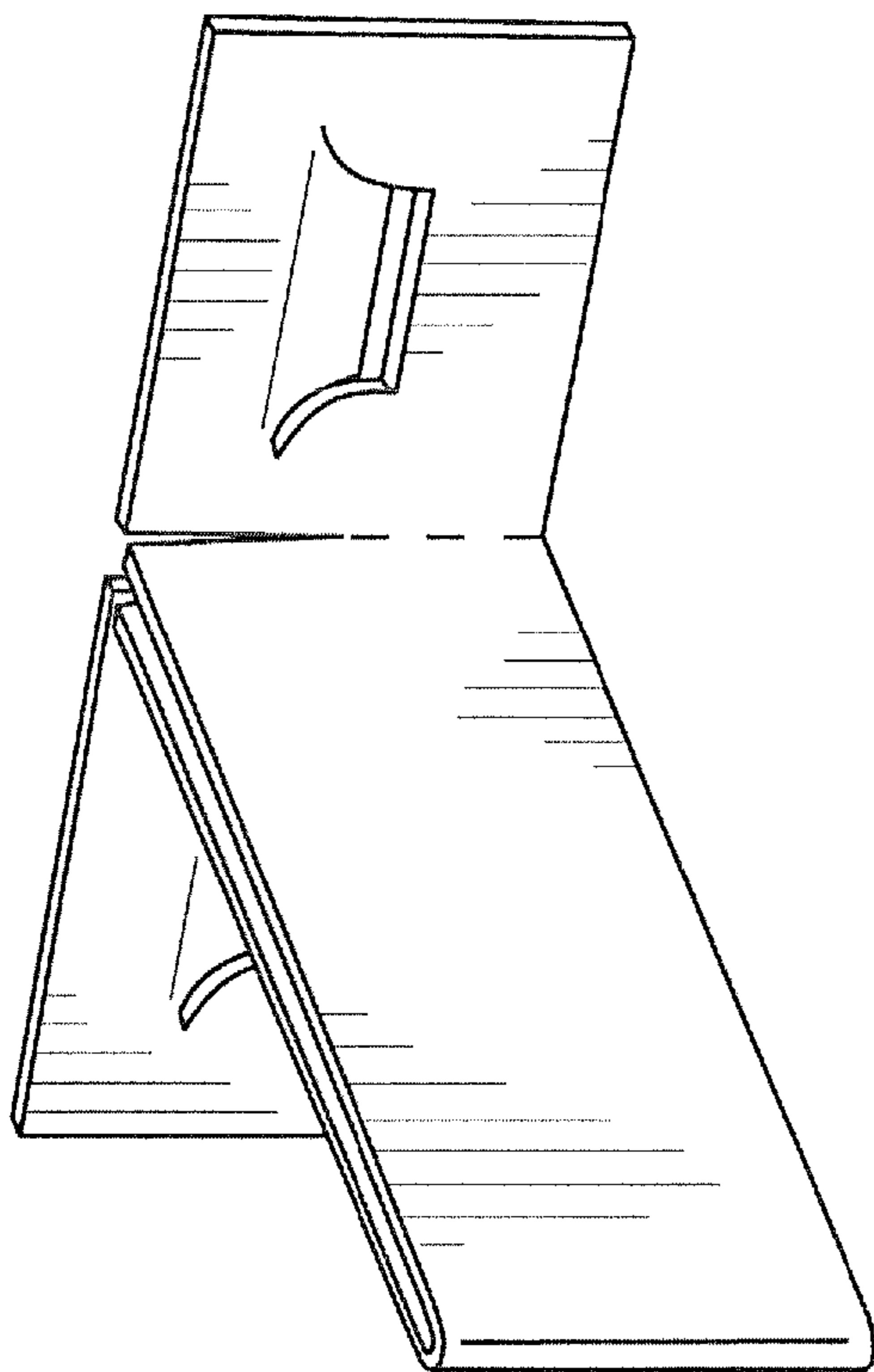


FIG. 8

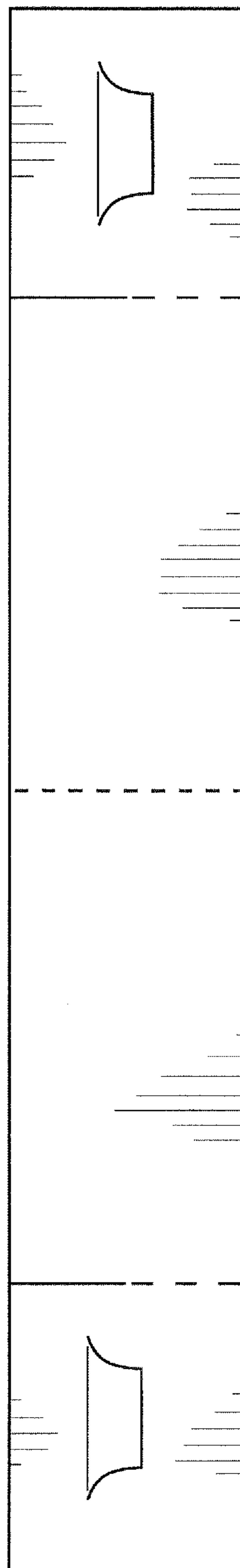


FIG. 9

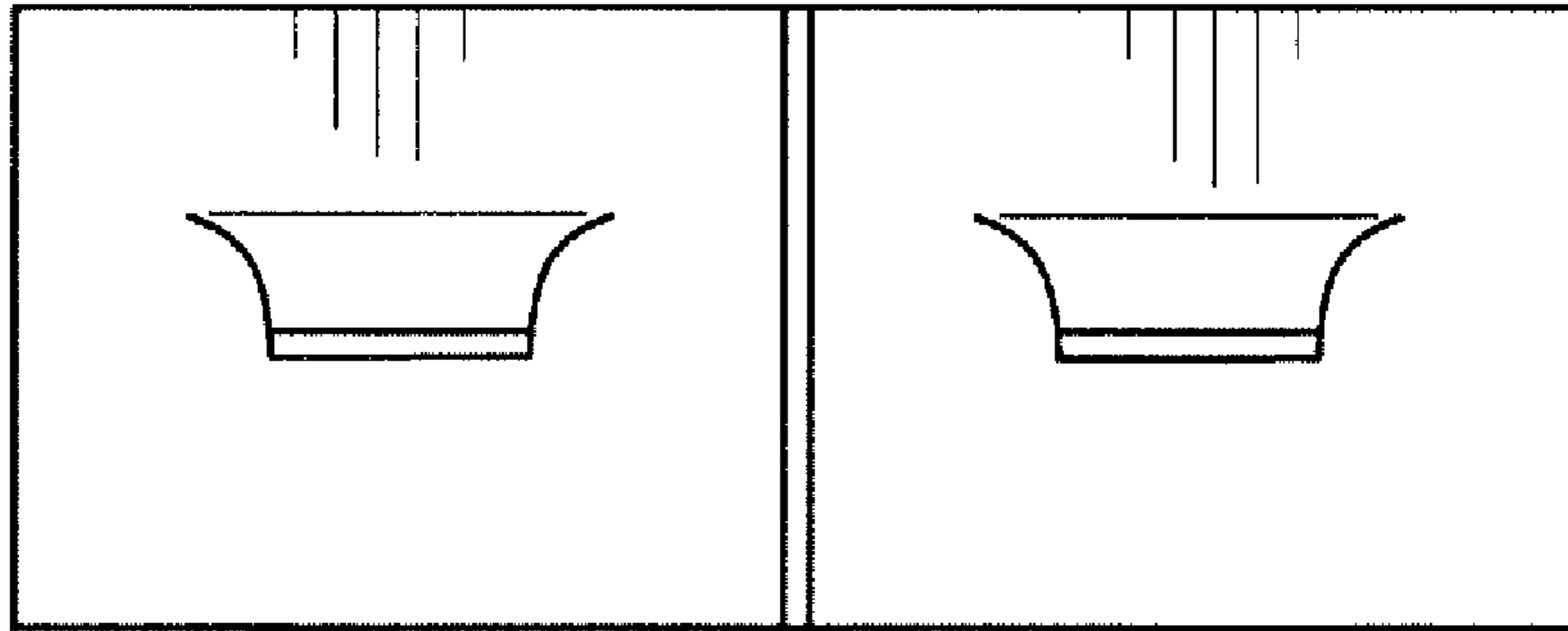


FIG. 10

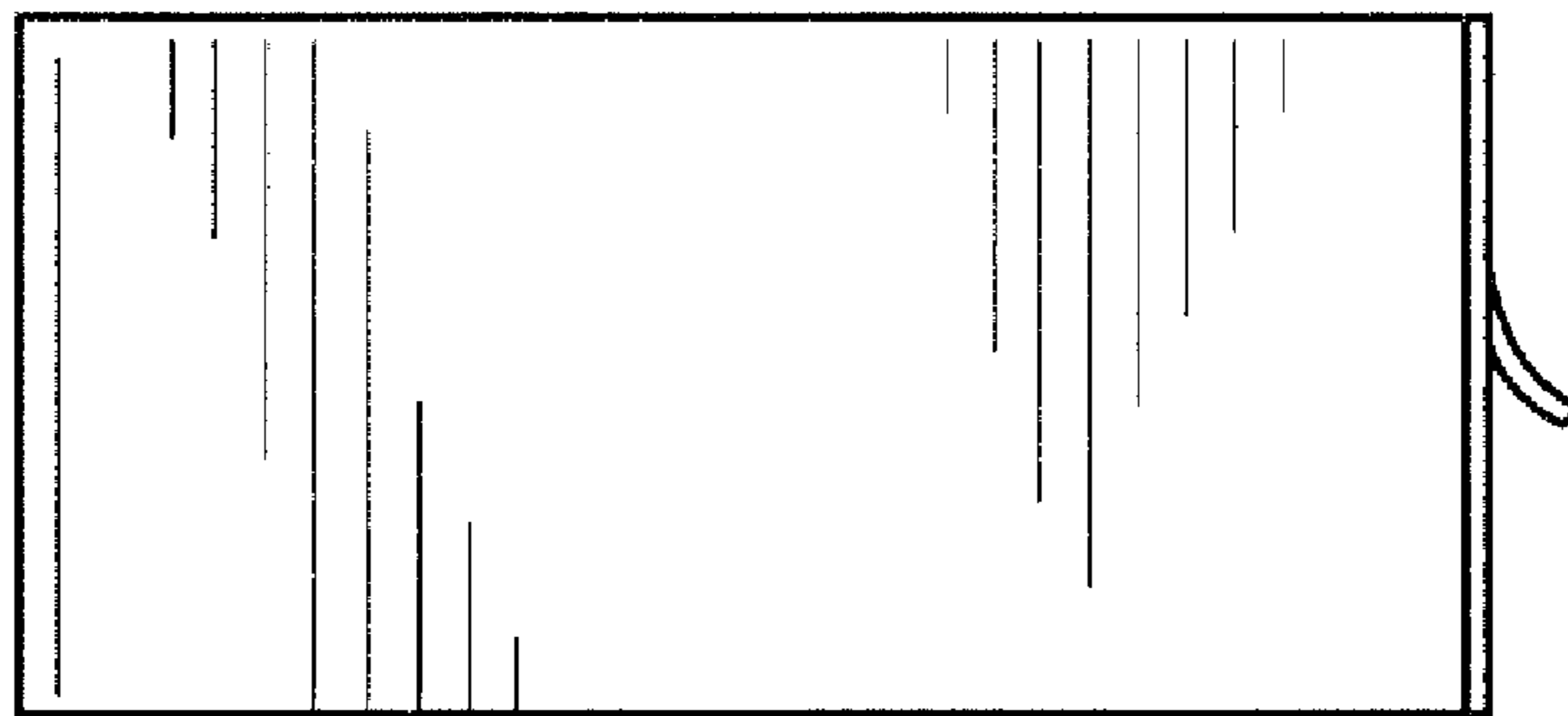


FIG. 11

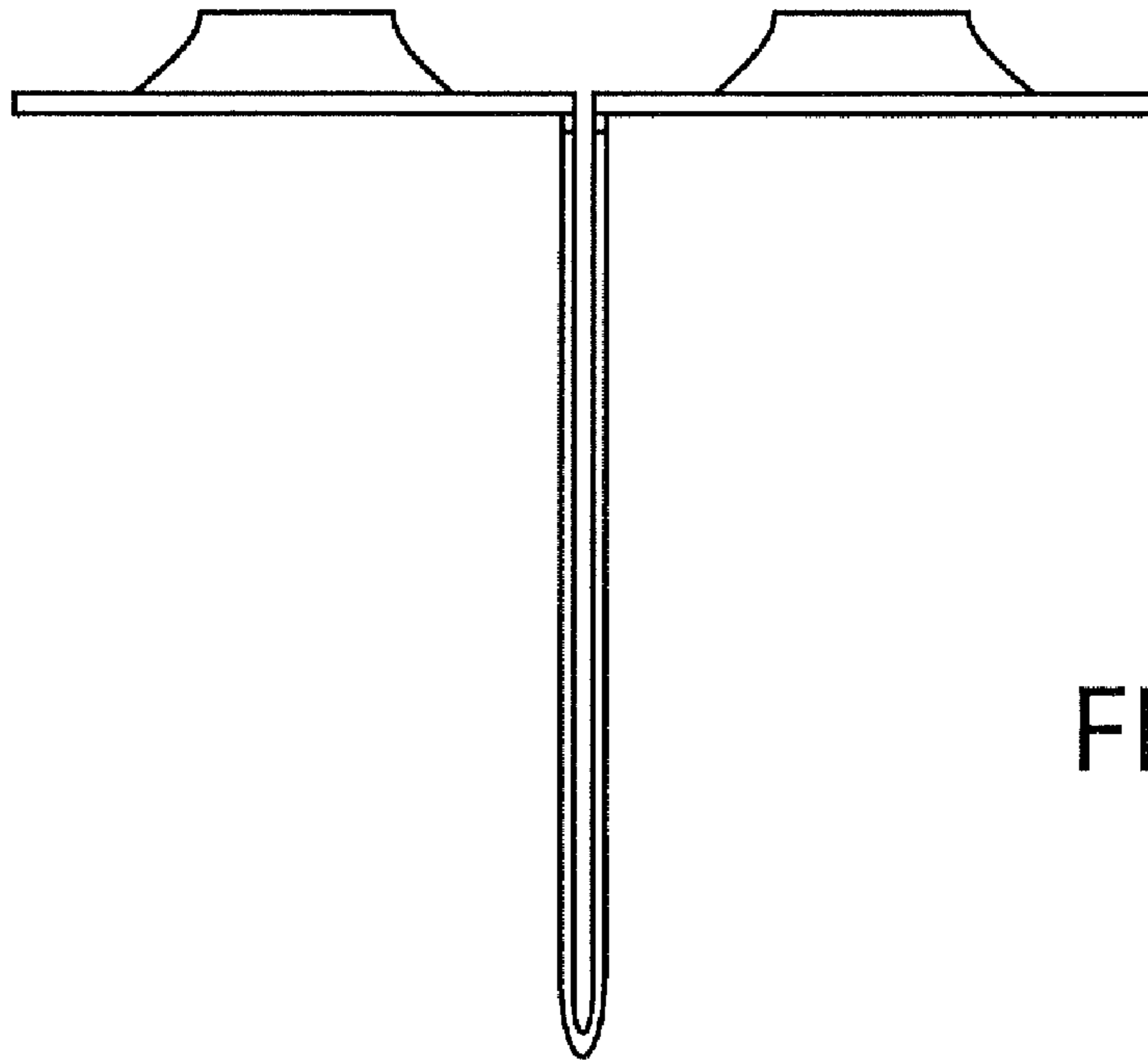


FIG. 12

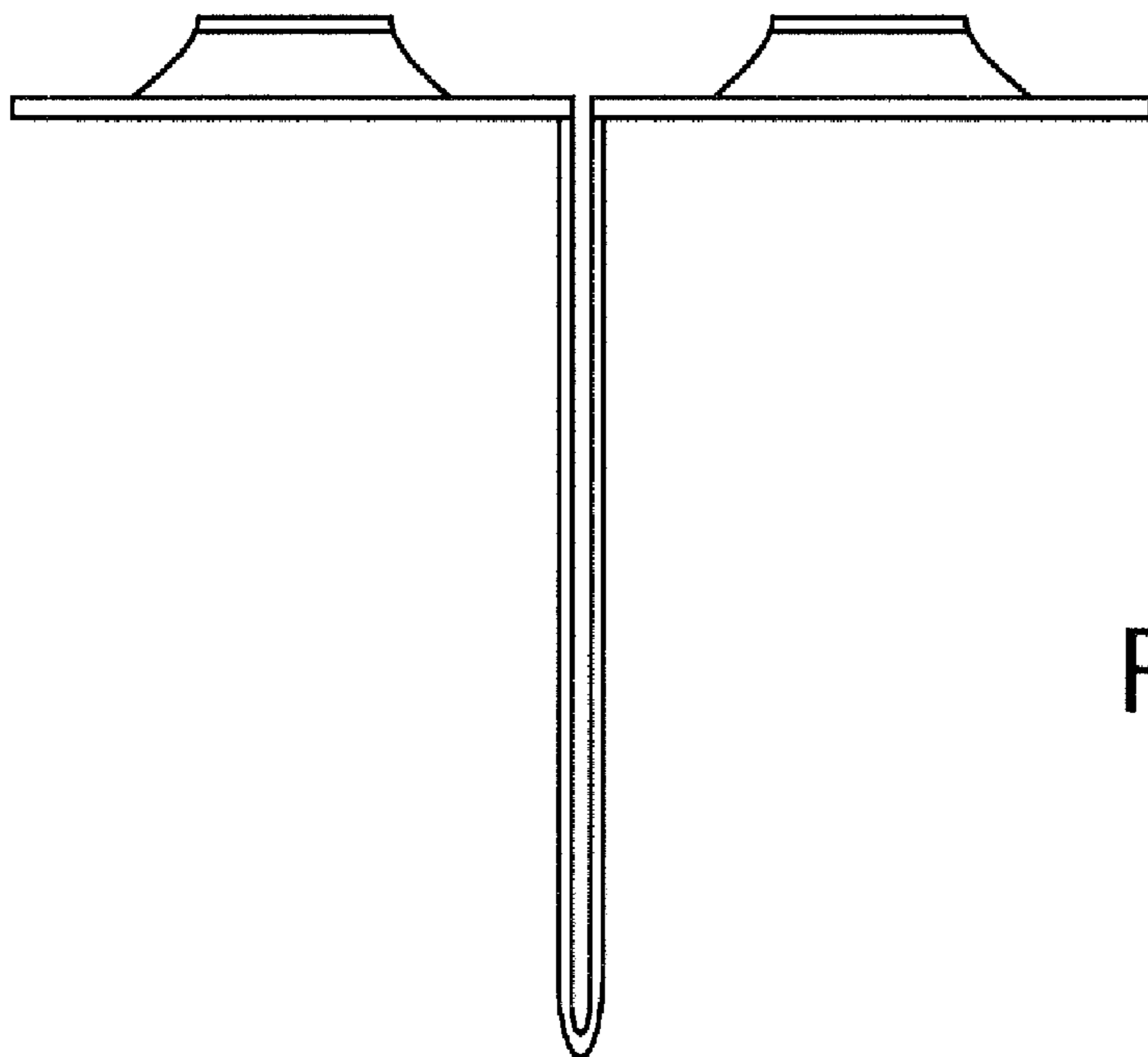


FIG. 13