



US00D640748S

(12) **United States Design Patent**  
**Weinstein et al.**

(10) **Patent No.:** **US D640,748 S**

(45) **Date of Patent:** **\*\* Jun. 28, 2011**

(54) **DOUBLE-SIDED INFORMATION STAND**

(75) Inventors: **Marc Chase Weinstein**, Roslyn Harbor, NY (US); **Yuji Fujimura**, Tokyo (JP)

(73) Assignee: **Marc Chase Weinstein**, Roslyn Harbor, NY (US)

(\*\*) Term: **14 Years**

(21) Appl. No.: **29/361,574**

(22) Filed: **May 12, 2010**

(51) **LOC (9) Cl.** ..... **20-02**

(52) **U.S. Cl.** ..... **D20/18**

(58) **Field of Classification Search** ..... D20/10,  
D20/12-15, 17-19, 39-43, 99; 40/124.01-124.09,  
40/124.11-124.19, 124.191, 299.01, 368,  
40/446, 453, 490, 538, 541, 564, 565, 568,  
40/572, 577, 584, 585, 600, 606.12-606.14,  
40/606.18, 612, 618, 661, 661.02; D10/104,  
D10/109; 116/319, 321; 362/812

See application file for complete search history.

(56) **References Cited**

U.S. PATENT DOCUMENTS

553,555 A \* 1/1896 Doster ..... 116/321  
D241,181 S \* 8/1976 Jenks ..... D20/18  
D263,964 S \* 4/1982 Butman ..... D20/10

D285,810 S \* 9/1986 Glasener ..... D20/10  
D335,310 S \* 5/1993 Kurnow et al. .... D20/10  
D350,566 S \* 9/1994 Pearson ..... D20/40  
D351,423 S \* 10/1994 Cassidy, Jr. .... D20/18  
D375,526 S \* 11/1996 Londino ..... D20/18  
D508,956 S \* 8/2005 Gaston ..... D20/18  
D544,040 S \* 6/2007 Burns ..... D20/19

\* cited by examiner

*Primary Examiner* — Mary Ann Calabrese

(57) **CLAIM**

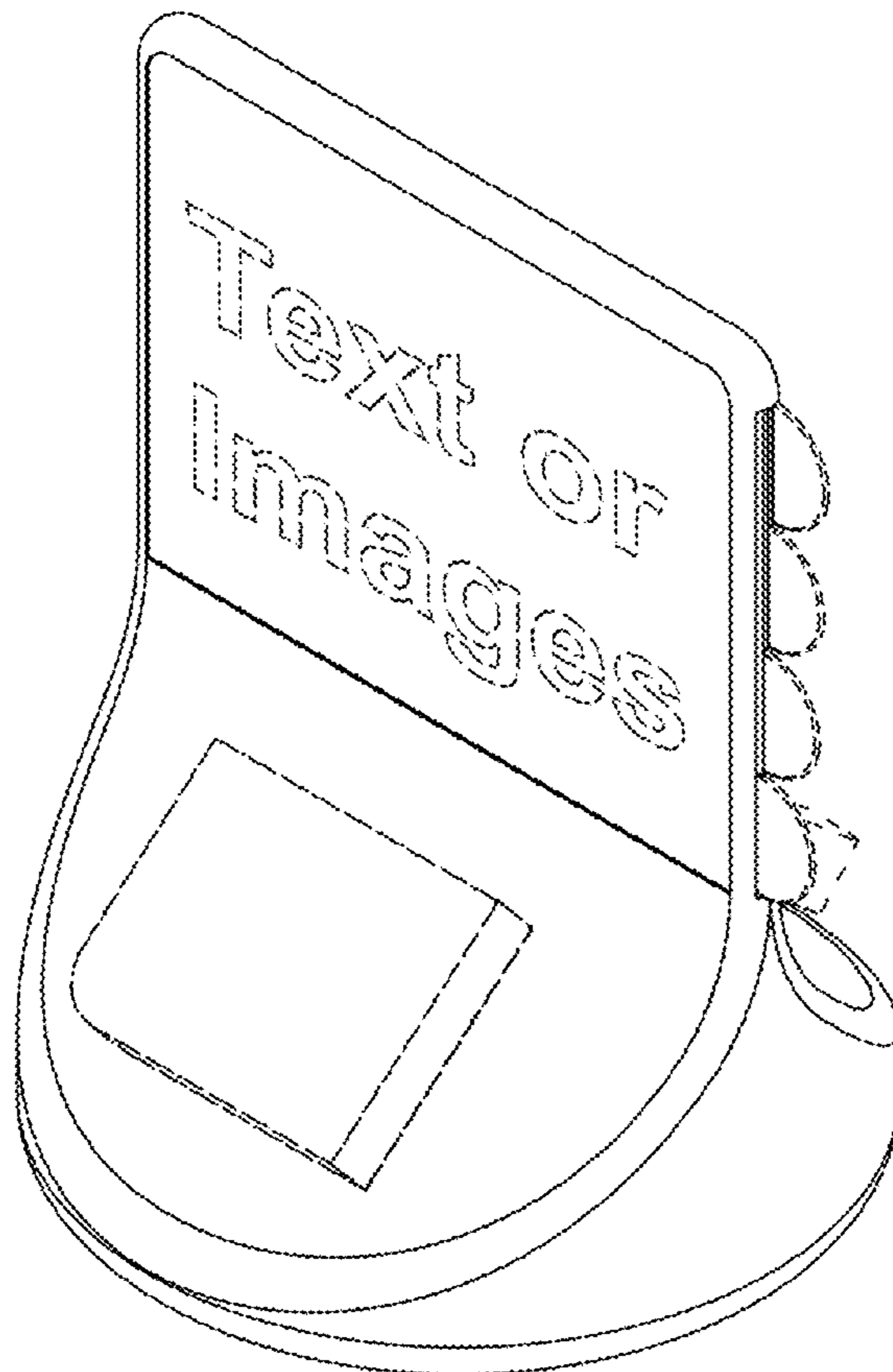
We claim the ornamental design for a double-sided information stand, as shown and described.

**DESCRIPTION**

FIG. 1 shows a perspective view of an informational stand showing our new design;  
FIG. 2 shows a front plane view thereof;  
FIG. 3 shows a rear plane view thereof;  
FIG. 4 shows a right side elevation view thereof;  
FIG. 5 shows a left side elevation view thereof;  
FIG. 6 shows a top end elevation view thereof;  
FIG. 7 shows a bottom end elevation view thereof; and,  
FIG. 8 shows a perspective thereof, with the pull tab extended in an alternate position of use.

The structure depicted by means of broken lines is for illustrative purposes only and forms no part of the claimed design.

**1 Claim, 5 Drawing Sheets**



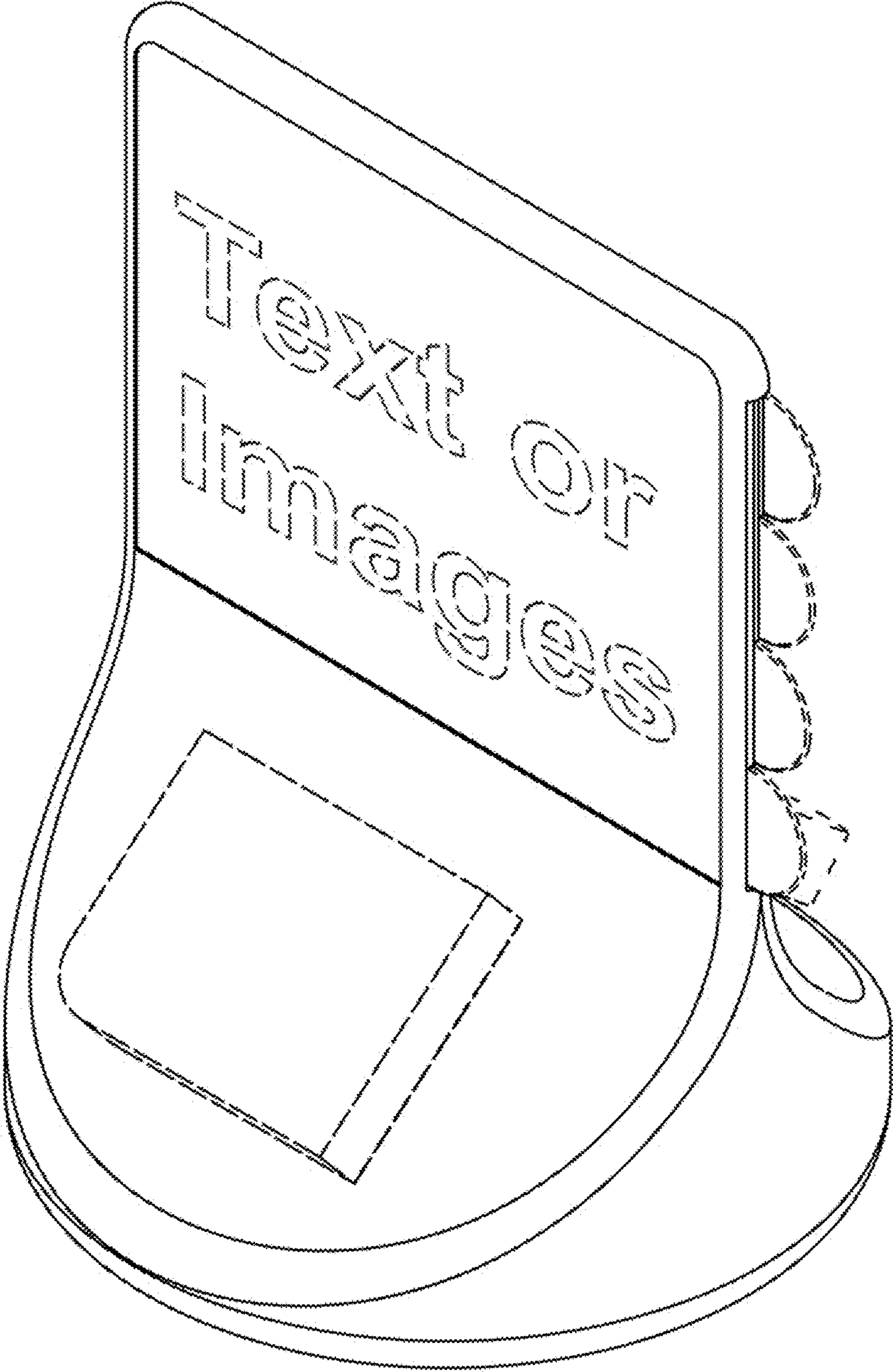


Fig. 1

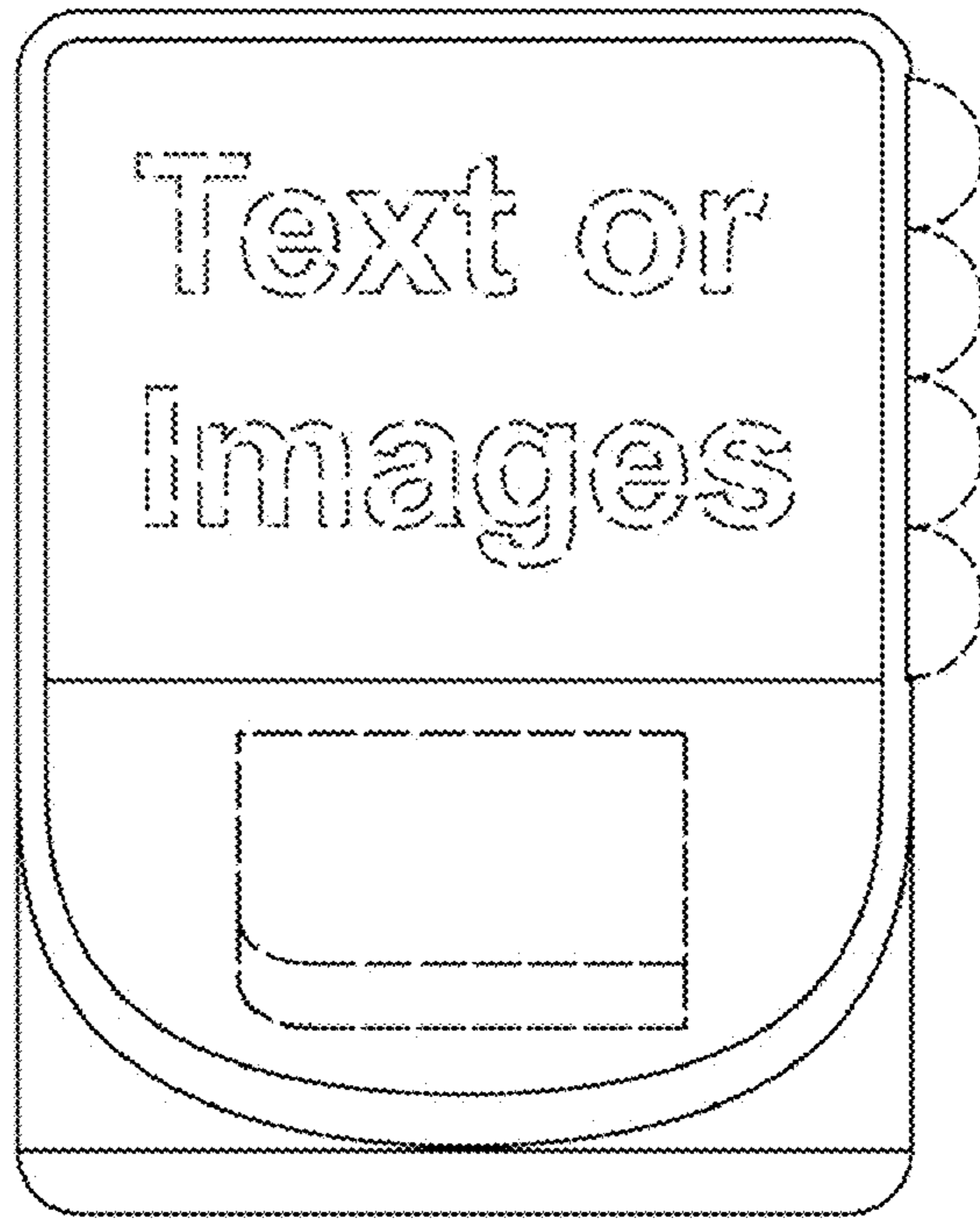


Fig. 2

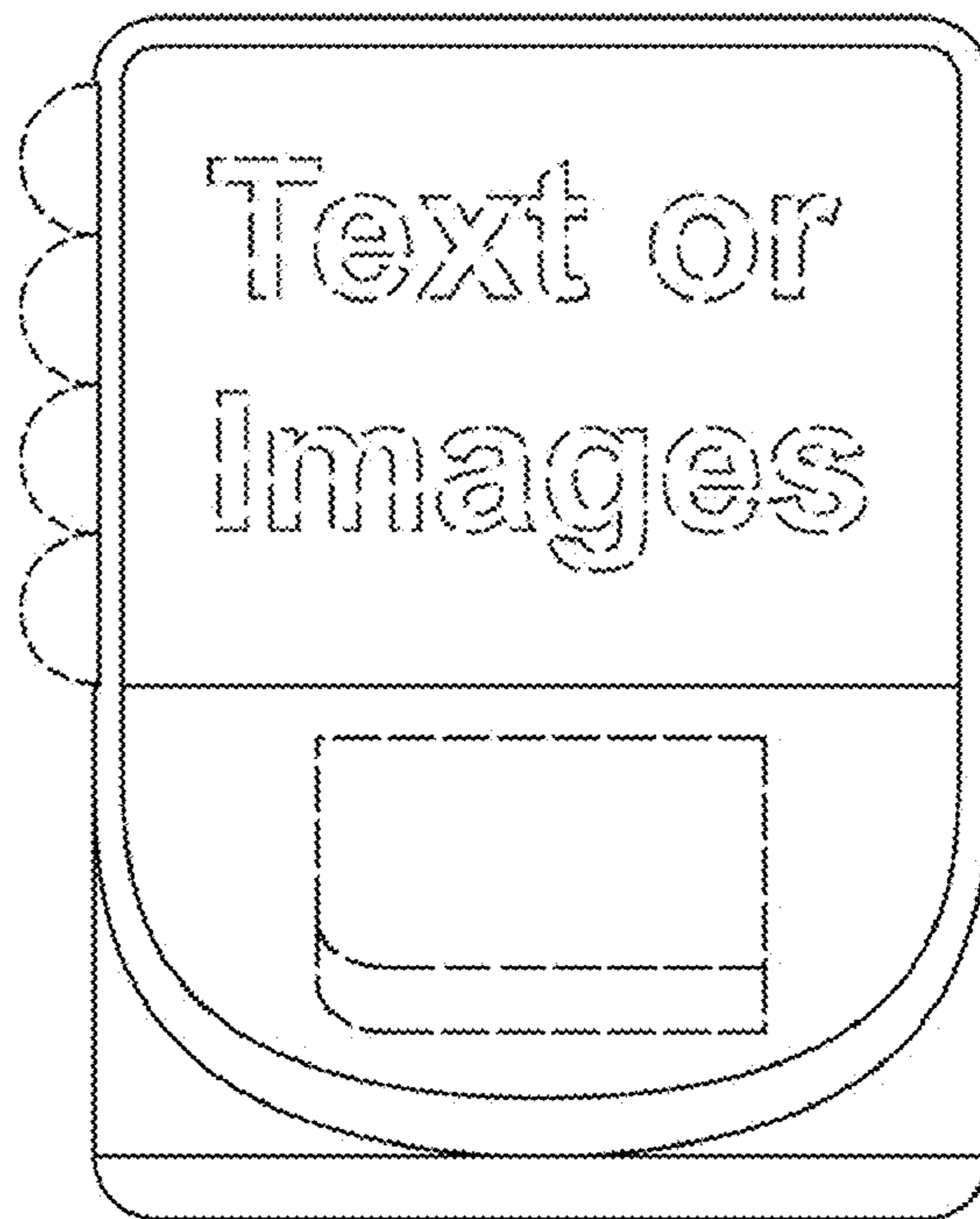


Fig. 3

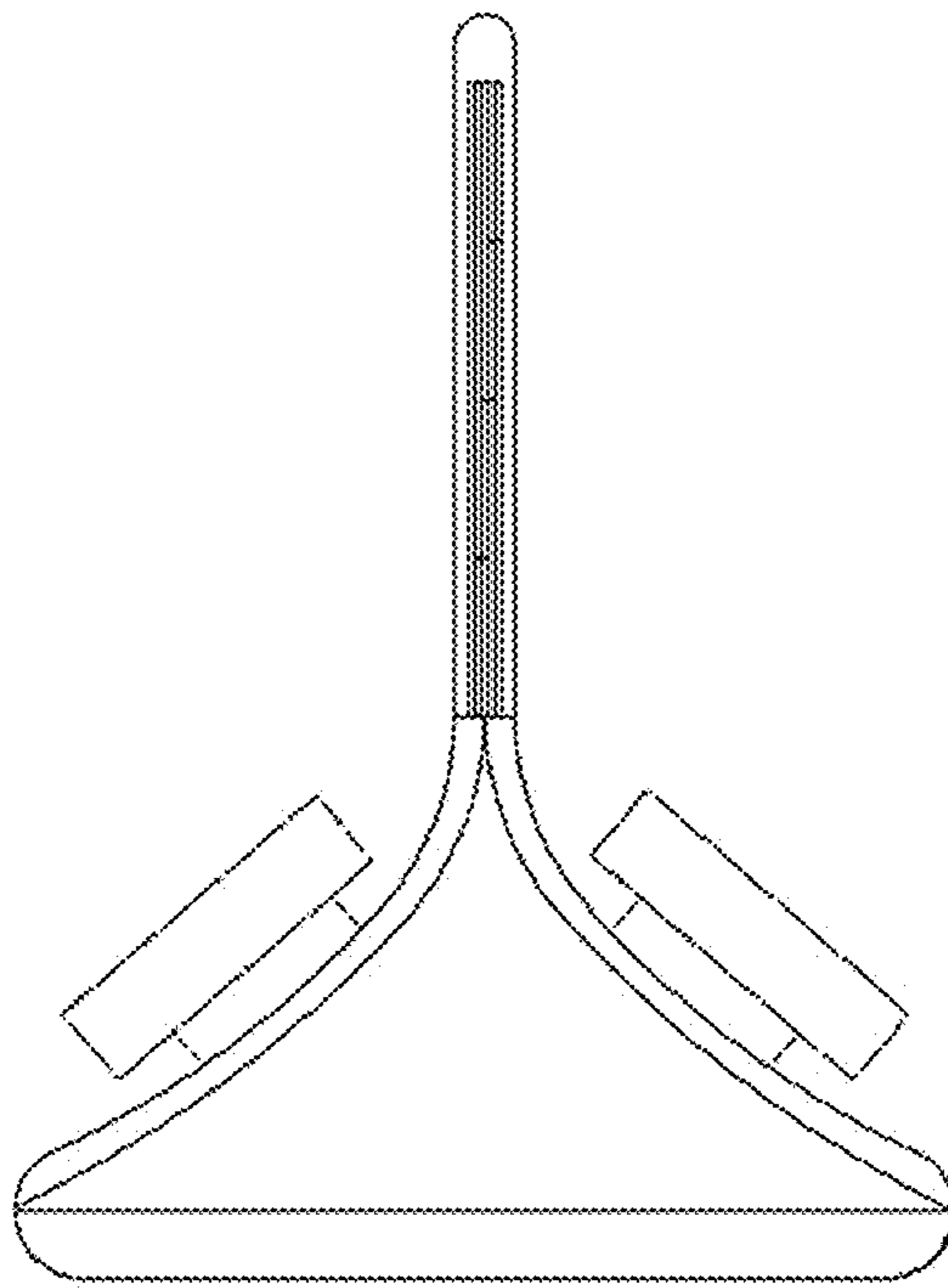


Fig. 4

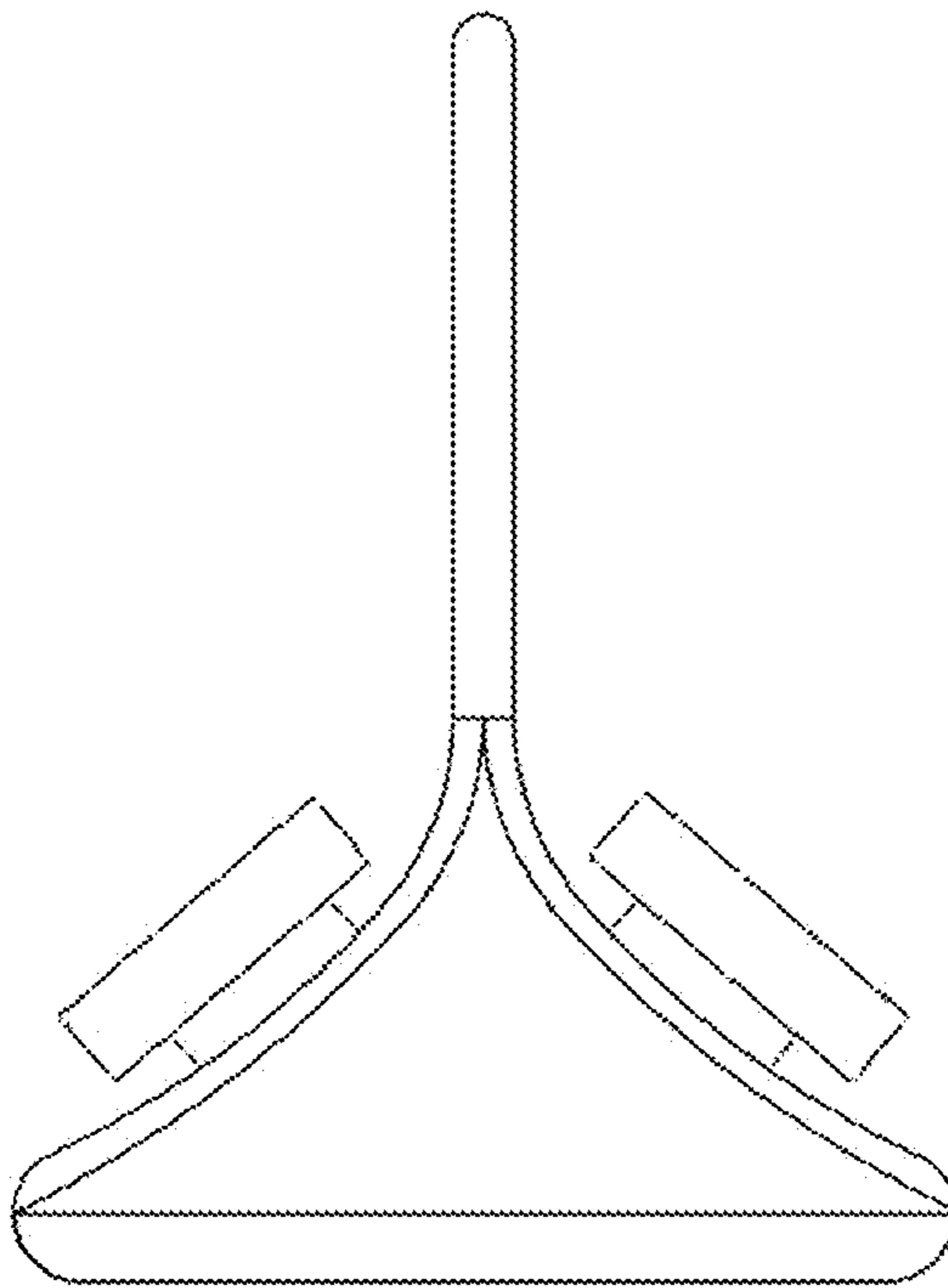


Fig. 5

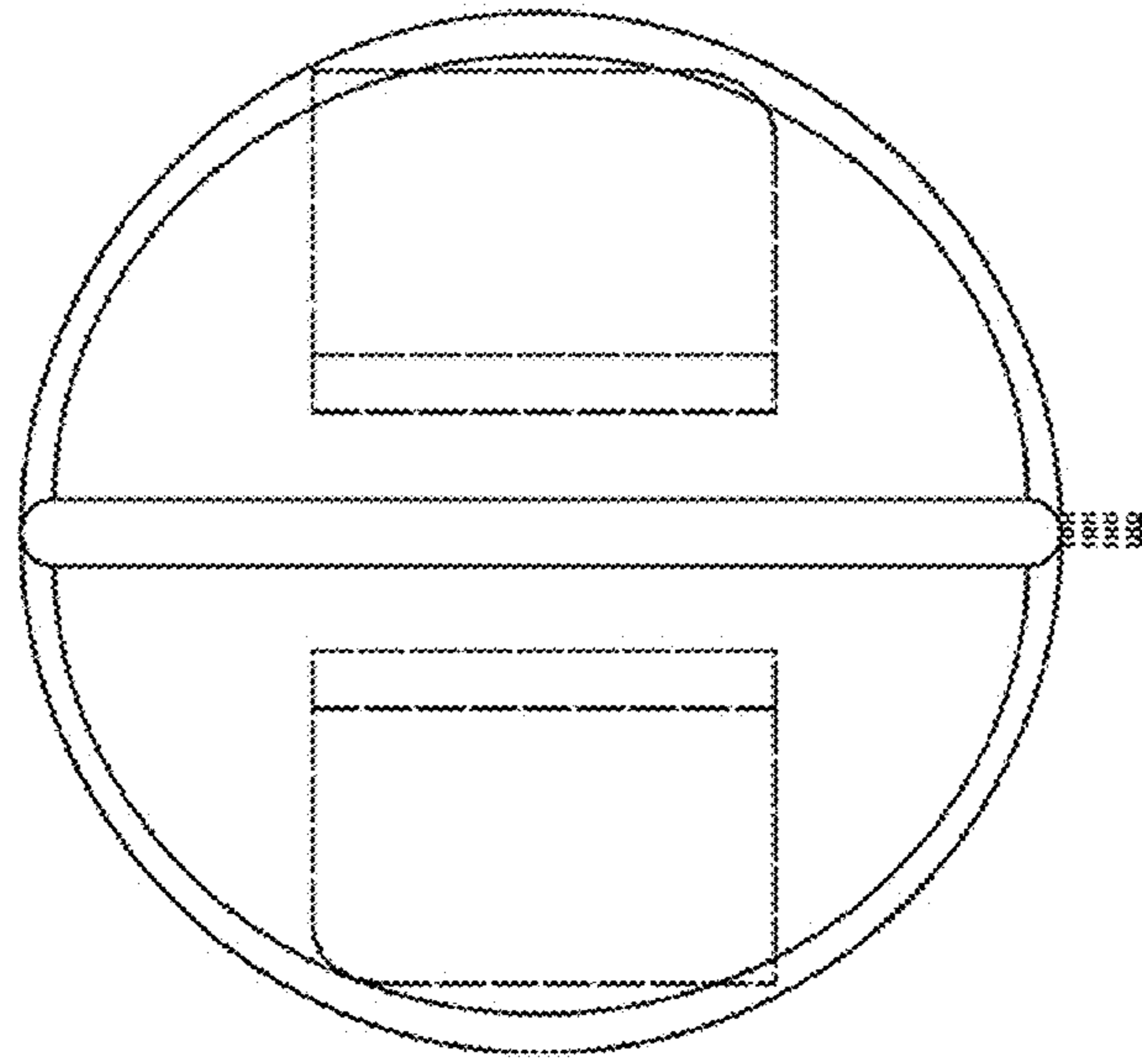


Fig. 6

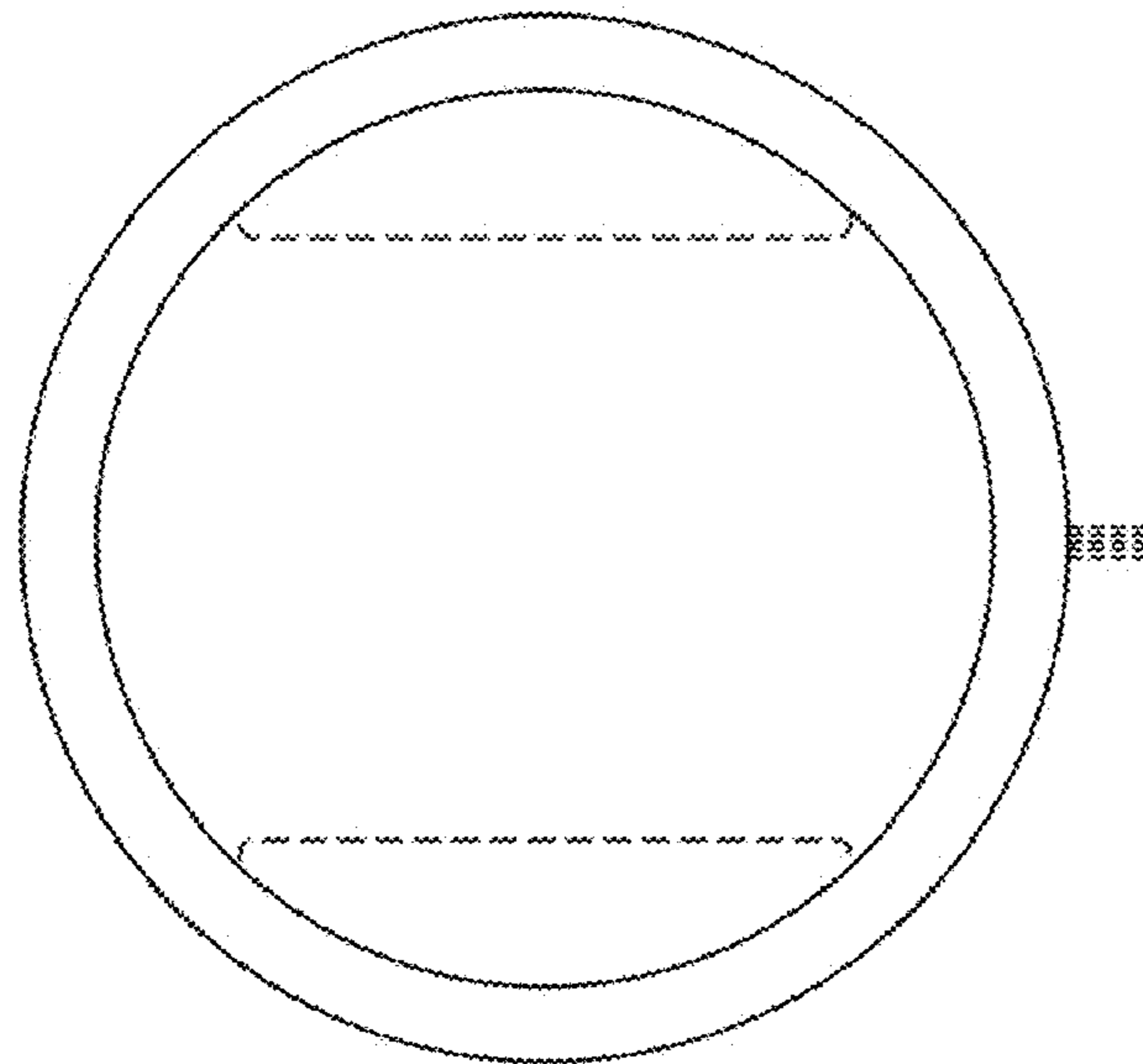


Fig. 7

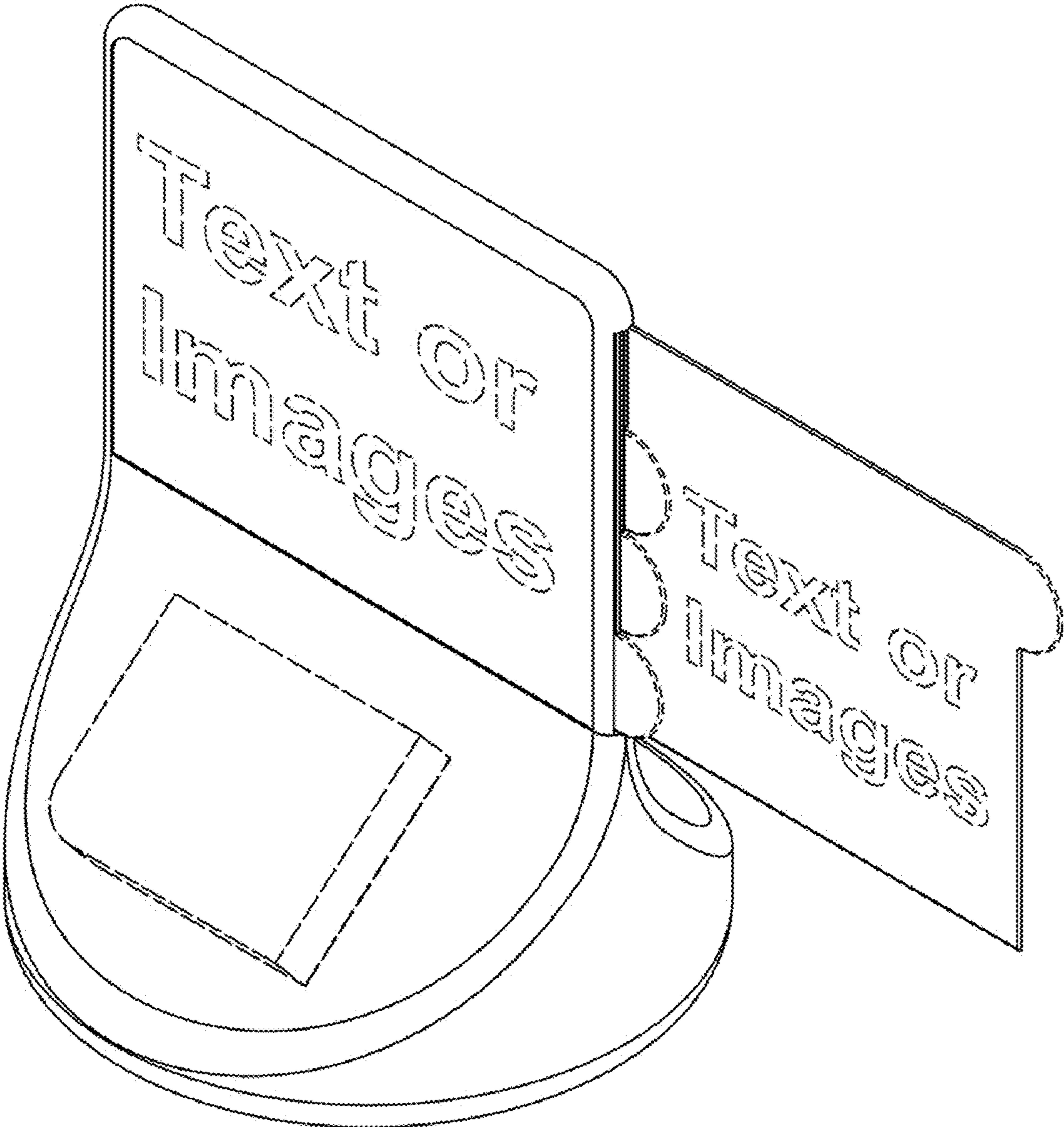


Fig. 8