



US00D640747S

(12) **United States Design Patent**
Sweere et al.

(10) **Patent No.:** **US D640,747 S**
(45) **Date of Patent:** **** Jun. 28, 2011**

(54) **MIXING BOWL UNIT FOR A VENDING MACHINE**

(75) Inventors: **Antonius Petrus Julius Sweere**, Veghel (NL); **Mara Maria Wilhelmina Van Haandel**, Venhorst (NL); **Wiebe Nicolaas Van Druten**, Zeewolde (NL)

(73) Assignee: **Friesland Brands B.V.**, Amersfoort (NL)

(**) Term: **14 Years**

(21) Appl. No.: **29/375,607**

(22) Filed: **Sep. 24, 2010**

(51) **LOC (9) Cl.** **20-01**

(52) **U.S. Cl.** **D20/8**

(58) **Field of Classification Search** D20/1-9;
221/2, 92, 169, 174, 265; D7/300, 589, 590;
194/236; 222/105, 129.1-129.3; 366/165.1
See application file for complete search history.

(56) **References Cited**

U.S. PATENT DOCUMENTS

1,602,130 A * 10/1926 Stimpson 221/169
1,807,941 A * 6/1931 Stimpson et al. 221/169
2,354,717 A * 8/1944 Treciokas 221/169
2,558,522 A * 6/1951 Knapp 222/2

D169,065 S * 3/1953 Hall D20/9
3,385,569 A * 5/1968 Bookout 366/165.1
5,839,610 A * 11/1998 Reese et al. 222/129.3
6,250,506 B1 * 6/2001 Geiger et al. 222/105
6,868,988 B2 * 3/2005 Ufheil et al. 222/129.1
7,175,046 B2 * 2/2007 Yao 221/265

* cited by examiner

Primary Examiner — Mary Ann Calabrese

(74) *Attorney, Agent, or Firm* — Young & Thompson

(57) **CLAIM**

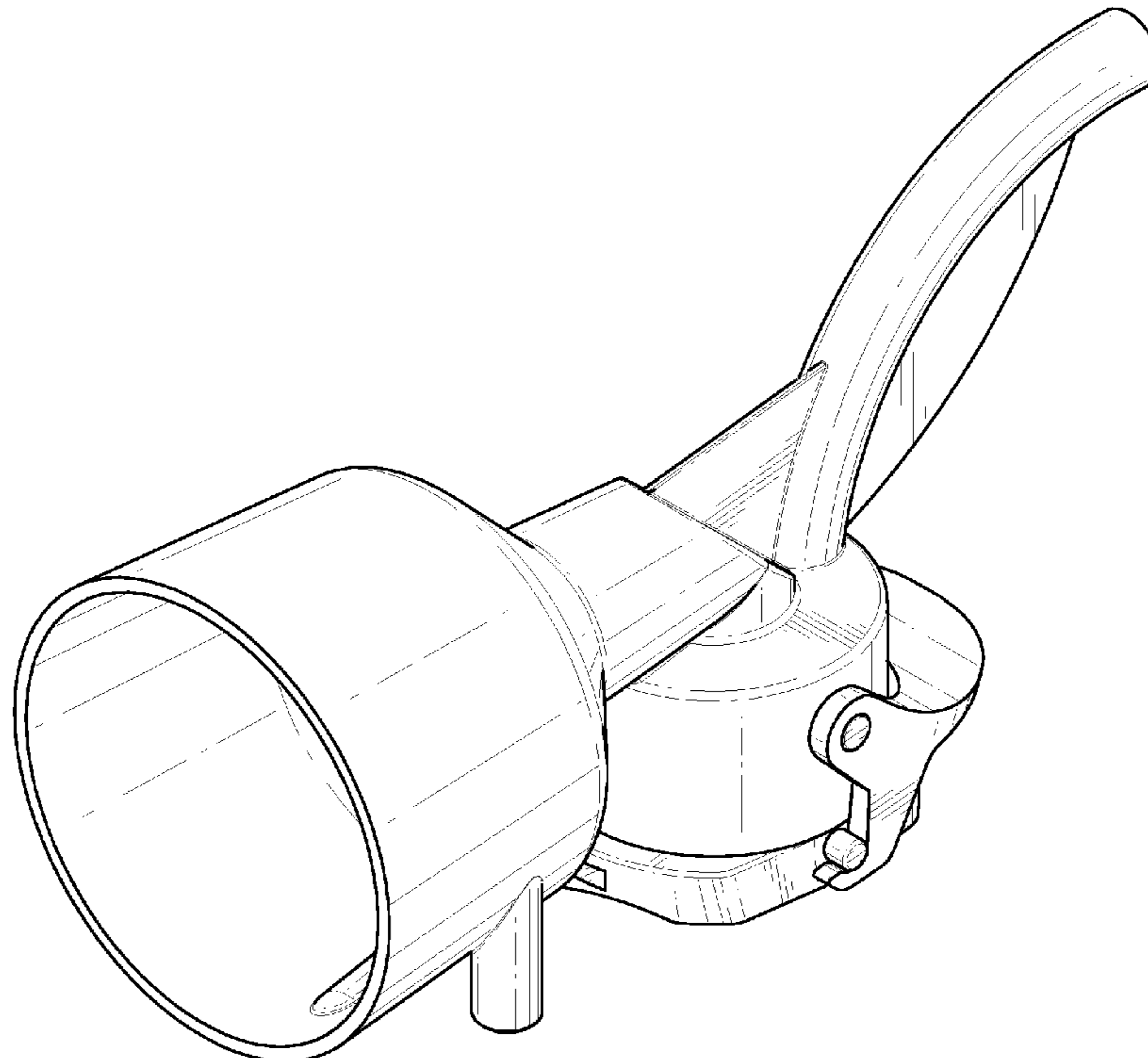
The ornamental design for a mixing bowl unit for a vending machine, as shown and described.

DESCRIPTION

FIG. 1 is a top, front, and side perspective view of a mixing bowl unit for a vending machine showing our design; FIG. 2 is a bottom, rear, and side perspective view; FIG. 3 is a left side view thereof; FIG. 4 is a right side view thereof; FIG. 5 is a rear view thereof; FIG. 6 is a front view thereof; FIG. 7 is a top plan view thereof; and, FIG. 8 is a bottom plan view thereof.

In the drawings, the broken lines represent features that form no part of the claimed design.

1 Claim, 5 Drawing Sheets



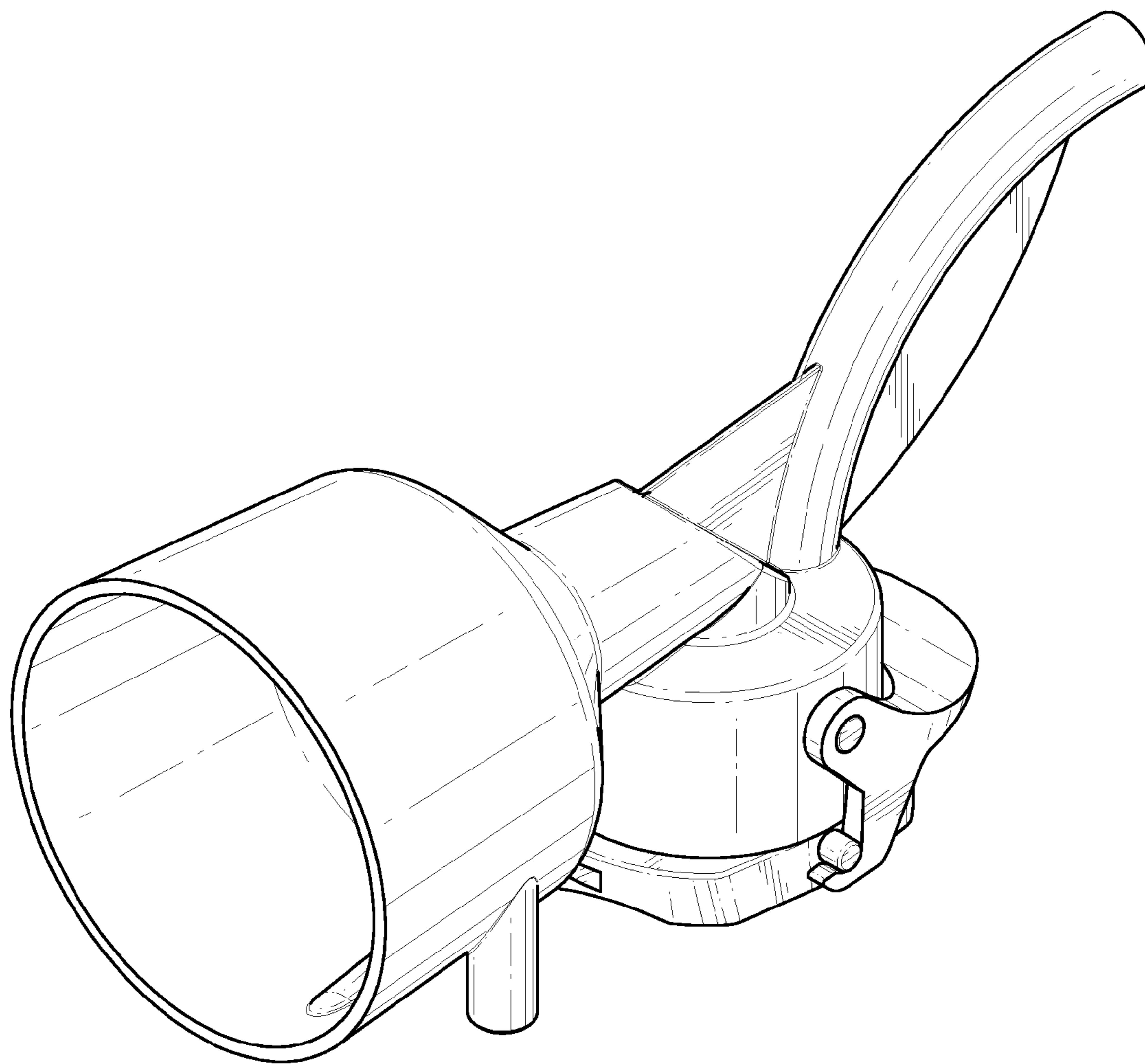


FIG. 1

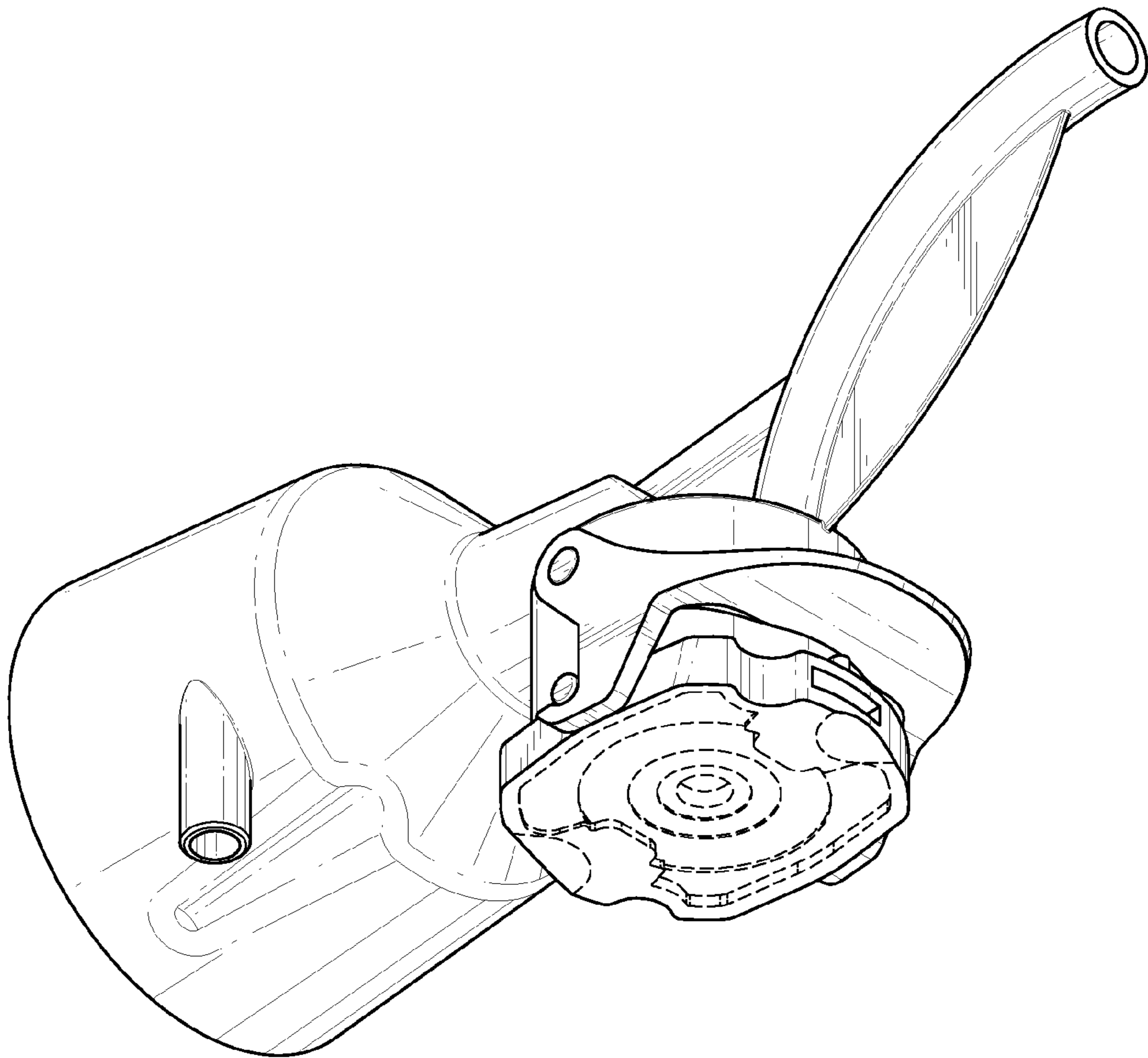


FIG. 2

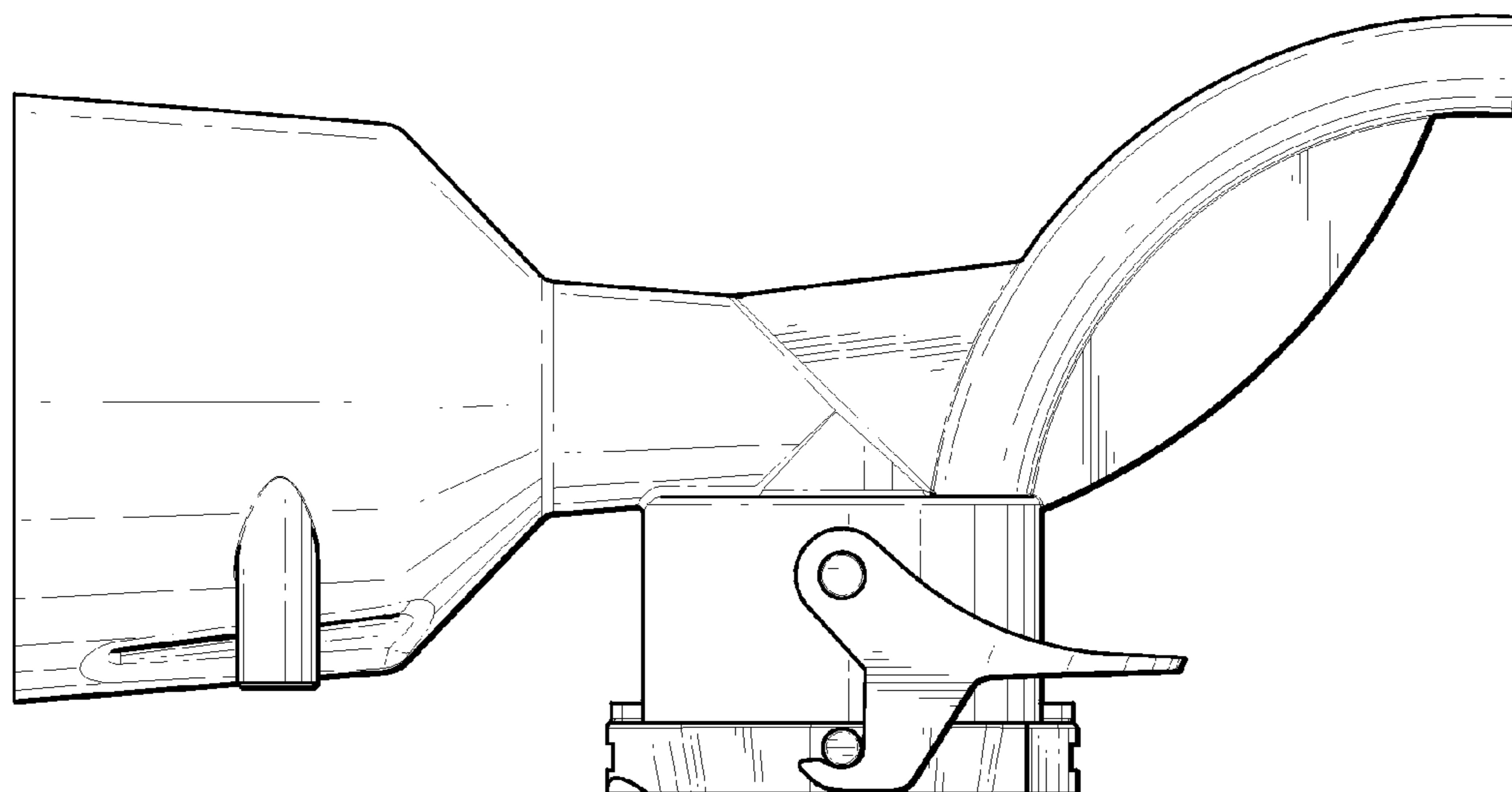


FIG. 3

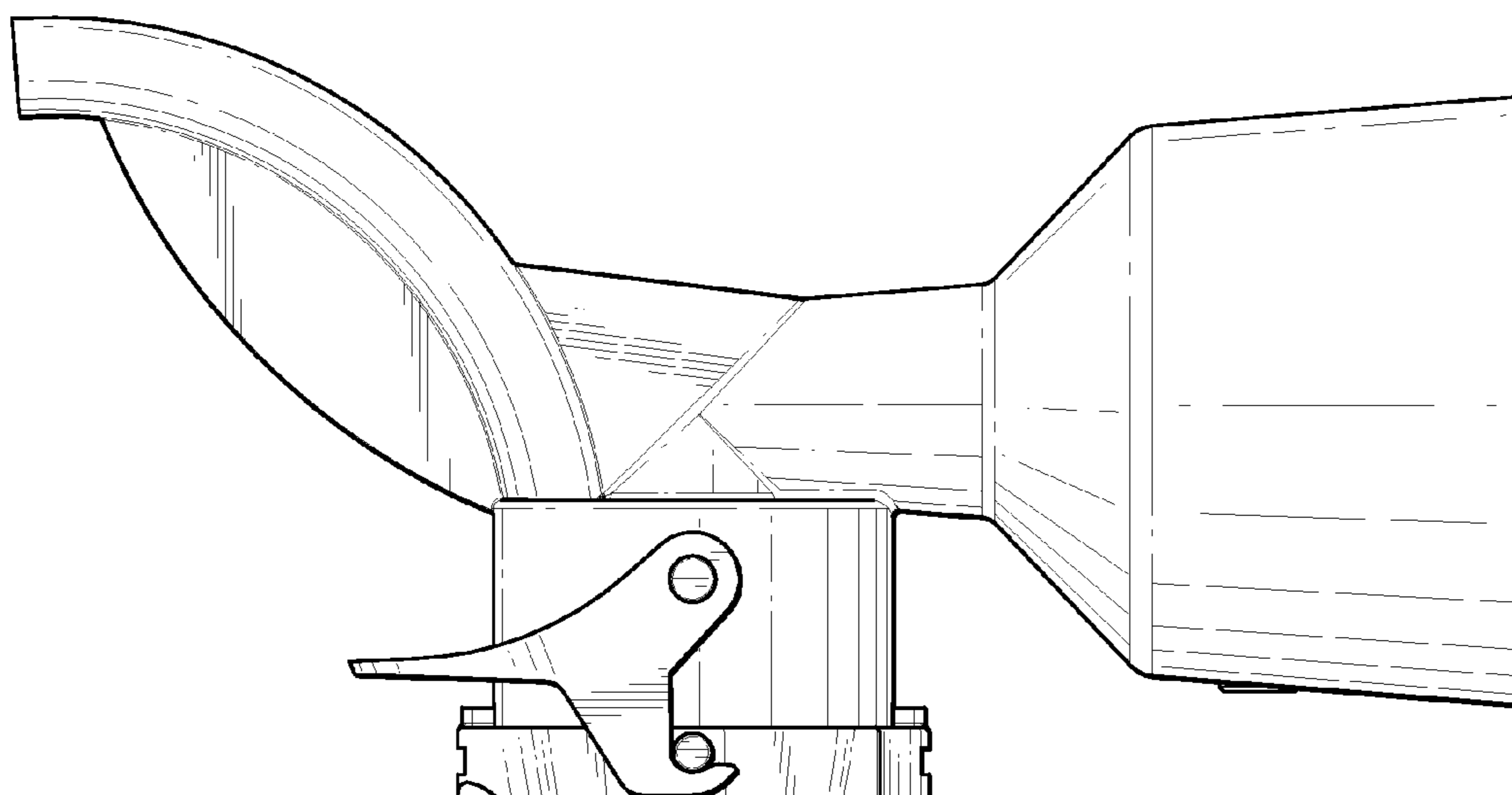


FIG. 4

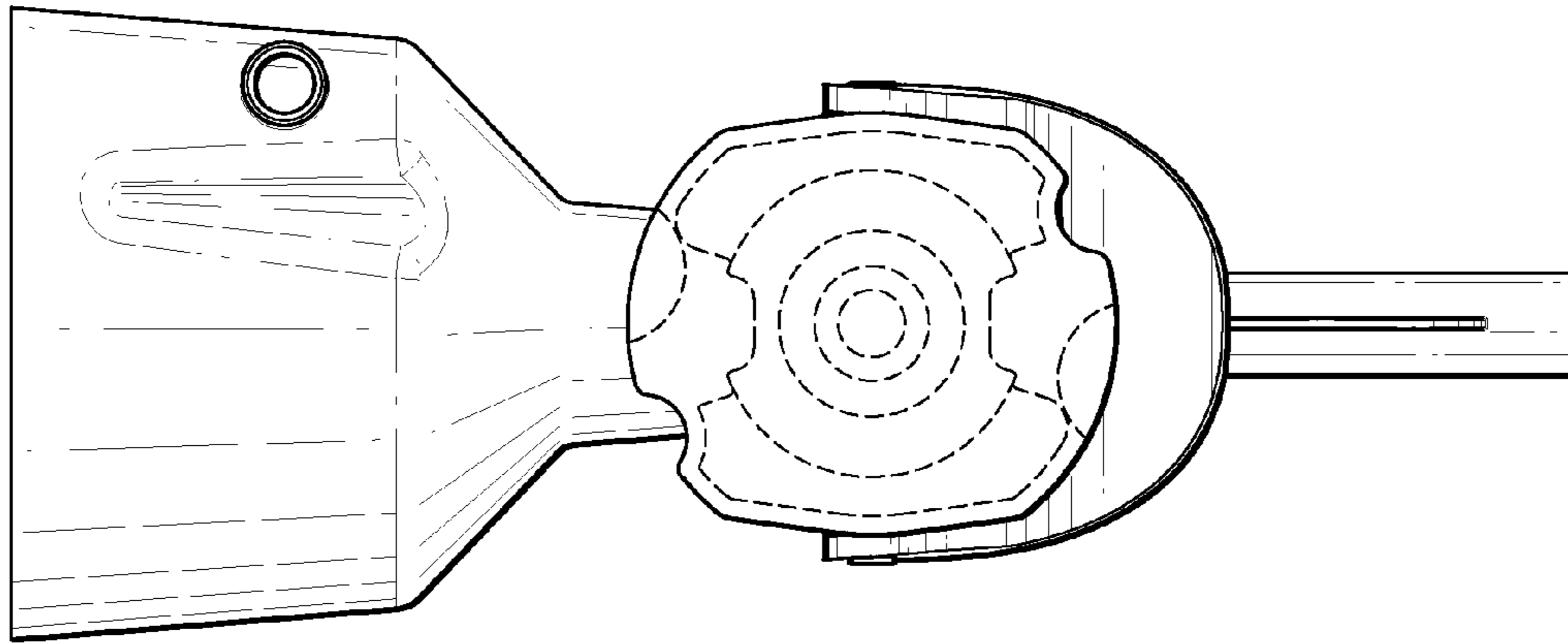


FIG. 5

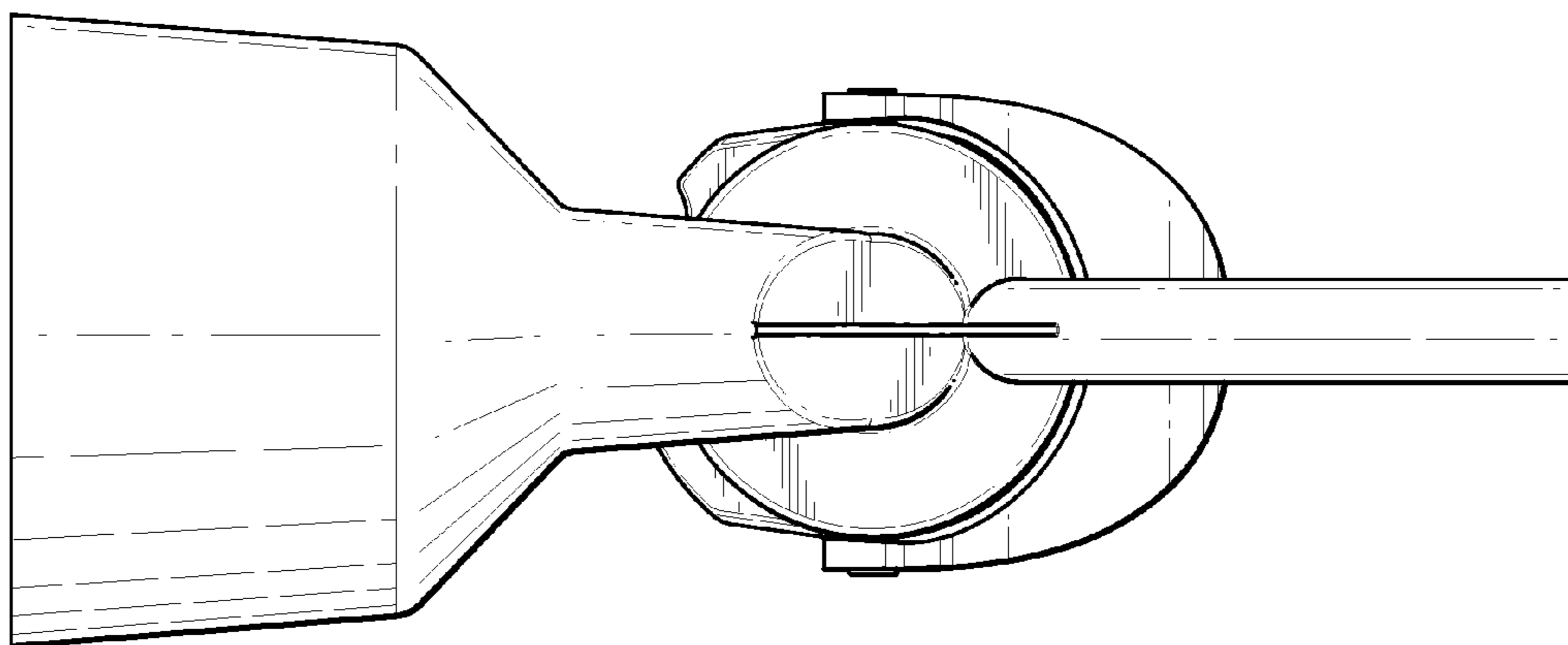


FIG. 6

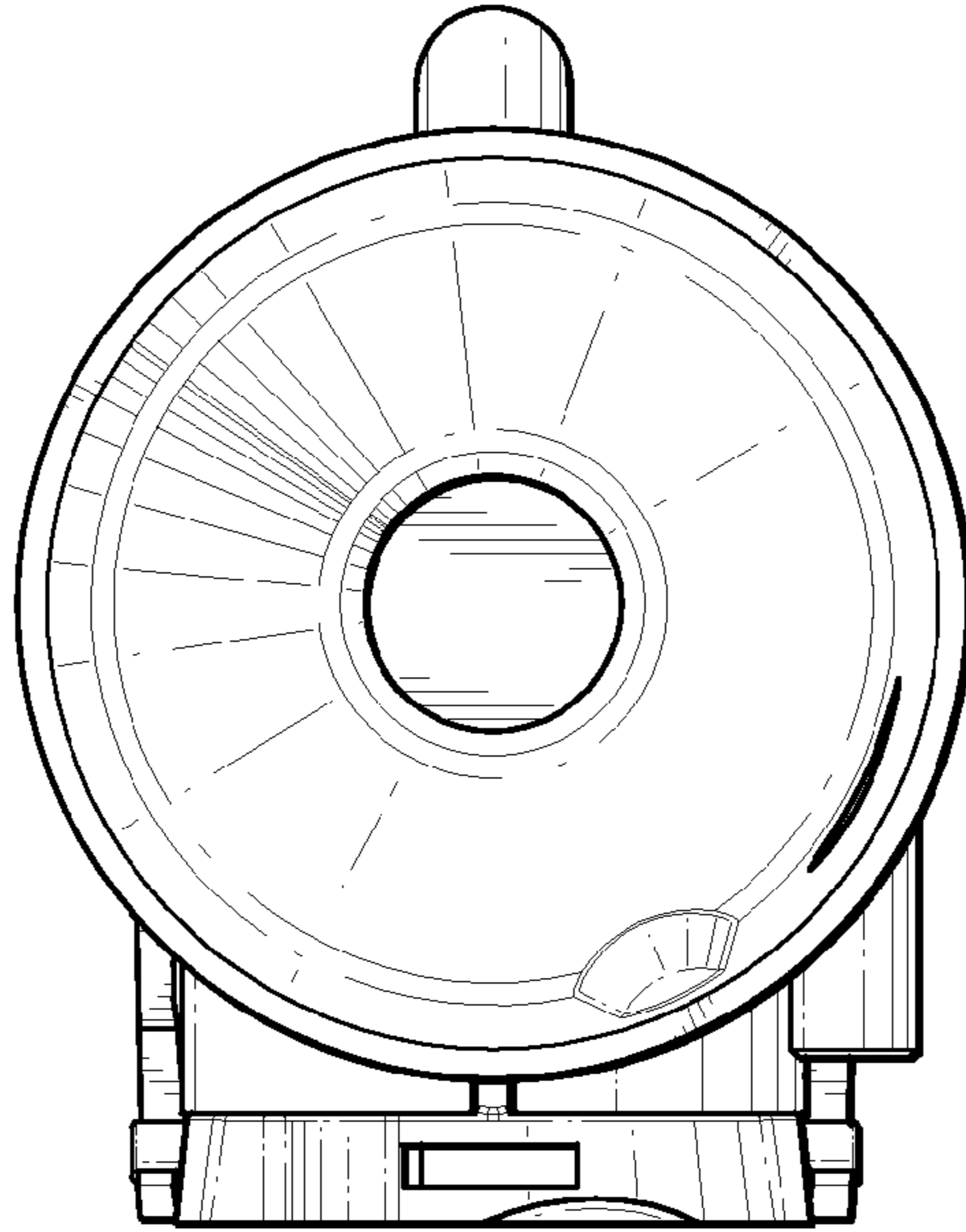


FIG. 7

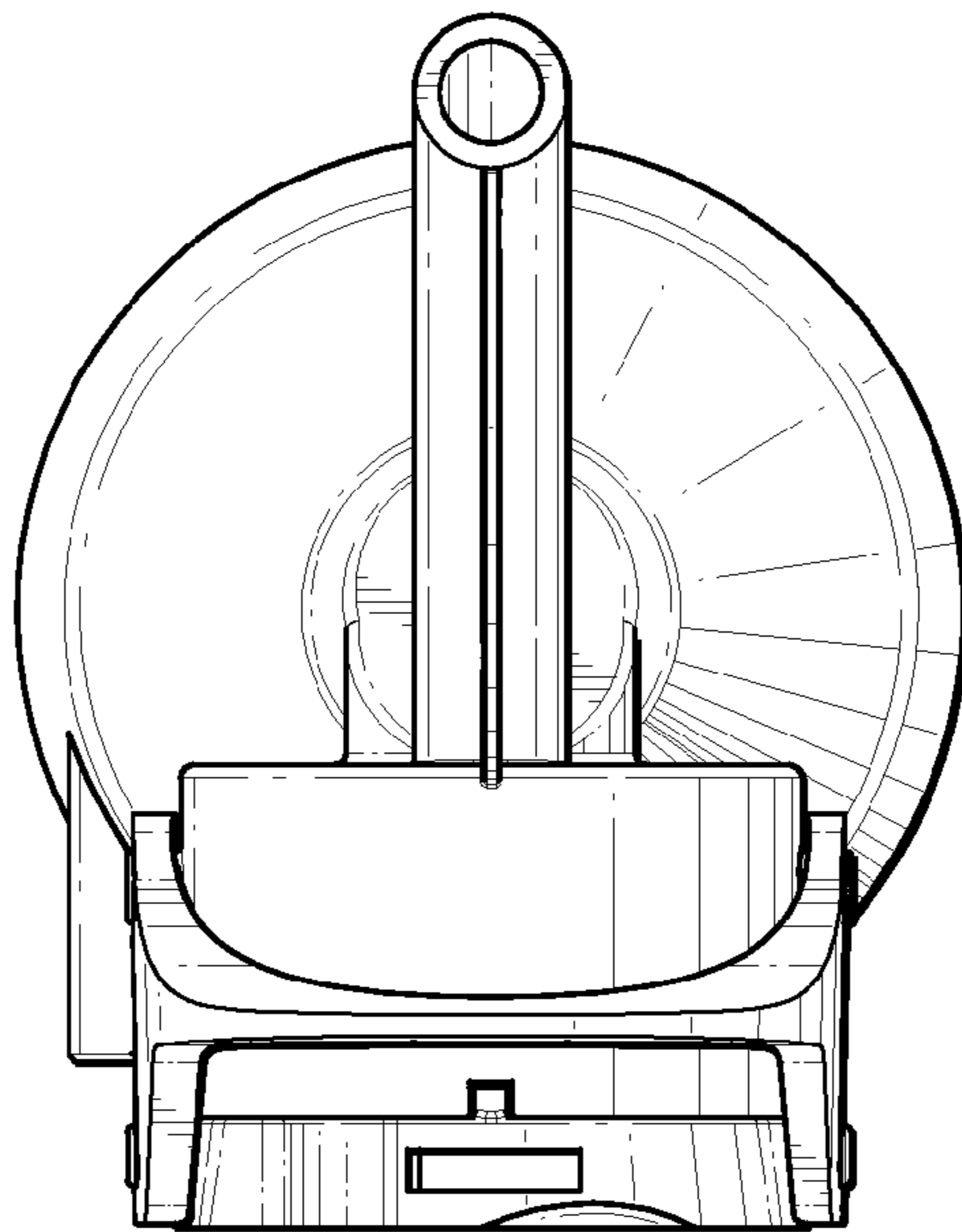


FIG. 8