



US00D640746S

(12) **United States Design Patent**
Jour

(10) **Patent No.:** **US D640,746 S**
(45) **Date of Patent:** **** Jun. 28, 2011**

- (54) **NOTEPAPER HOLDER**
- (75) Inventor: **David C. T. Jour**, Taipei (TW)
- (73) Assignee: **Kudos Finder Trading Co., Ltd.**, Taipei (TW)
- (**) Term: **14 Years**
- (21) Appl. No.: **29/353,856**
- (22) Filed: **Jan. 14, 2010**
- (51) **LOC (9) Cl.** **19-02**
- (52) **U.S. Cl.** **D19/92**
- (58) **Field of Classification Search** D6/515, D6/518, 519; D9/734; D19/65, 75, 78, 86-92; 206/39.5, 215, 233, 494, 555; 221/45, 46, 221/48, 52, 56, 59, 61, 63
See application file for complete search history.

- 6,796,427 B2 * 9/2004 Kiso et al. 206/387.1
- D514,810 S * 2/2006 Armato D3/294
- D542,841 S * 5/2007 King et al. D19/22
- D566,192 S * 4/2008 Bhavnani D19/92
- D567,864 S * 4/2008 Bhavnani D19/92
- D591,951 S * 5/2009 Peters D3/295
- D600,699 S * 9/2009 Johnston et al. D14/440
- D606,394 S * 12/2009 Stewart D9/423
- D606,591 S * 12/2009 Pearson D19/86

* cited by examiner

Primary Examiner — Elizabeth Albert
(74) *Attorney, Agent, or Firm* — Rabin & Berdo, PC

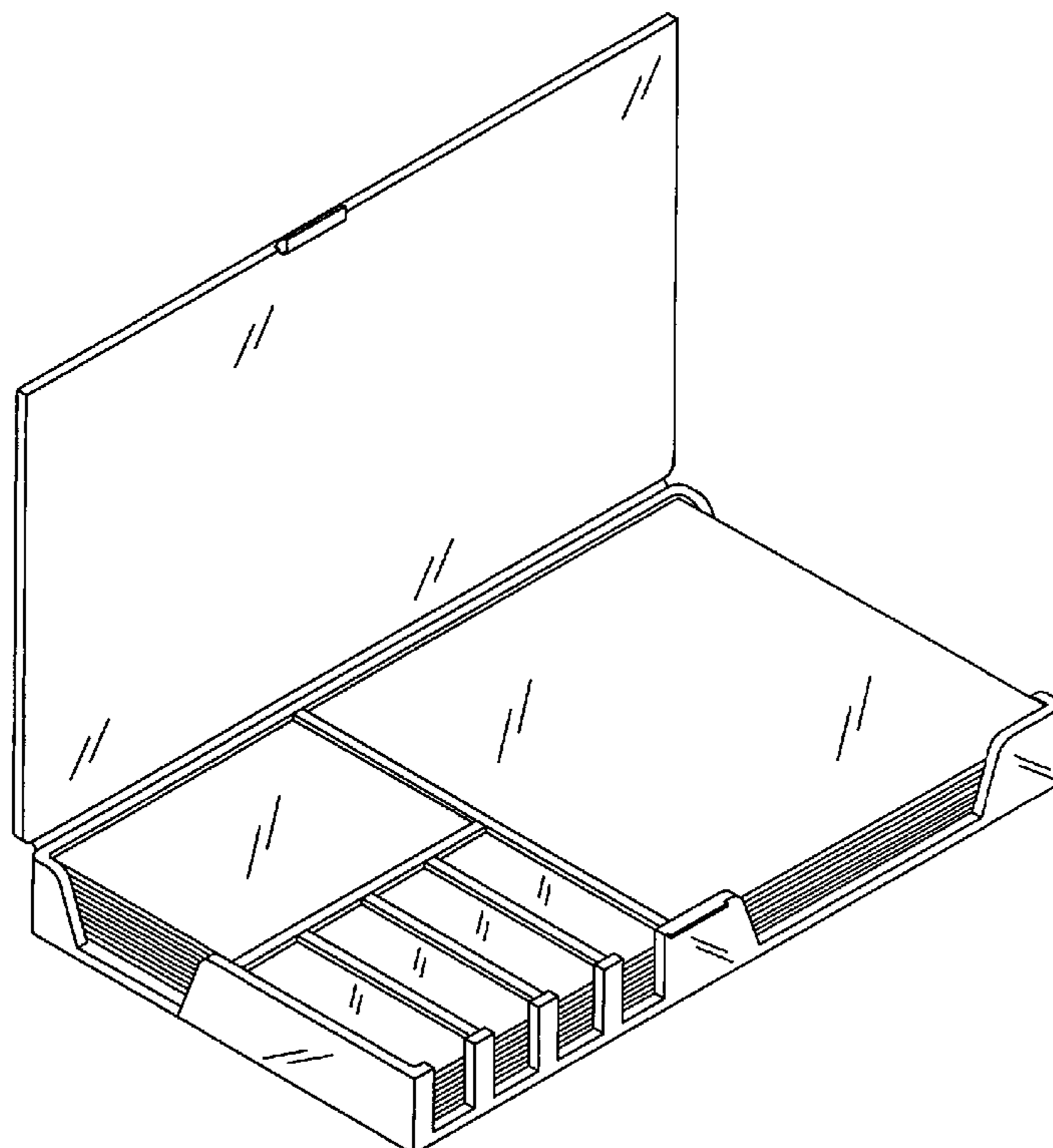
(57) **CLAIM**
An ornamental design for a notepaper holder, as shown and described.

DESCRIPTION

FIG. 1 is a front view of a notepaper holder showing my new design;
FIG. 2 is a rear view thereof;
FIG. 3 is a left side view thereof;
FIG. 4 is a right side view thereof;
FIG. 5 is a top plan view thereof;
FIG. 6 is a bottom plan view thereof; and,
FIG. 7 is a perspective view thereof.

1 Claim, 4 Drawing Sheets

- (56) **References Cited**
- U.S. PATENT DOCUMENTS
- 230,298 A * 7/1880 Lovell 206/425
- D303,398 S * 9/1989 Lowinger D19/78
- D351,080 S * 10/1994 Sykes et al. D6/629
- D356,922 S * 4/1995 Du Corday D6/632
- D429,941 S * 8/2000 Williams D6/632
- D449,853 S * 10/2001 Myers D19/26
- D491,009 S * 6/2004 Burdett et al. D6/632



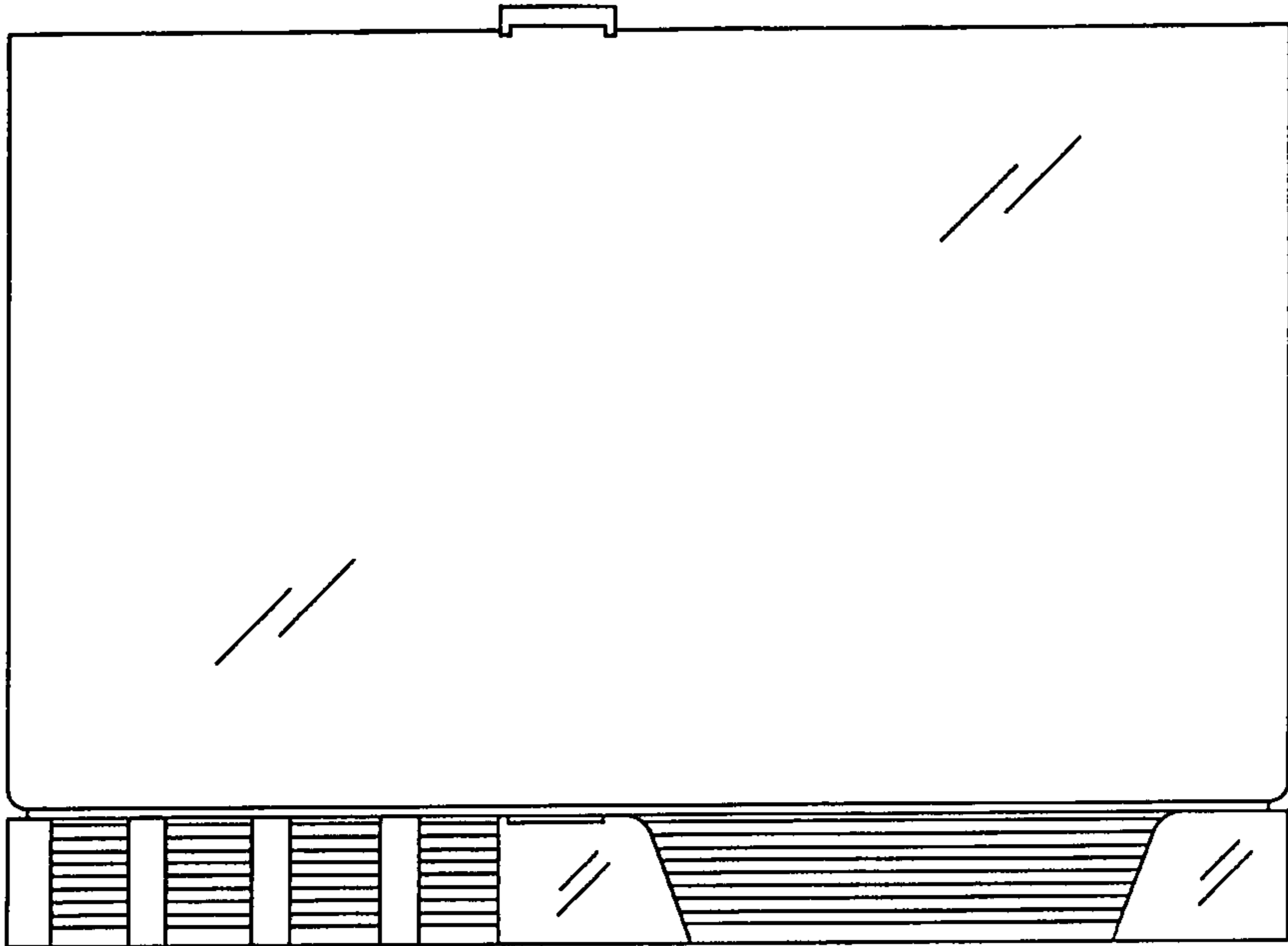


Fig. 1

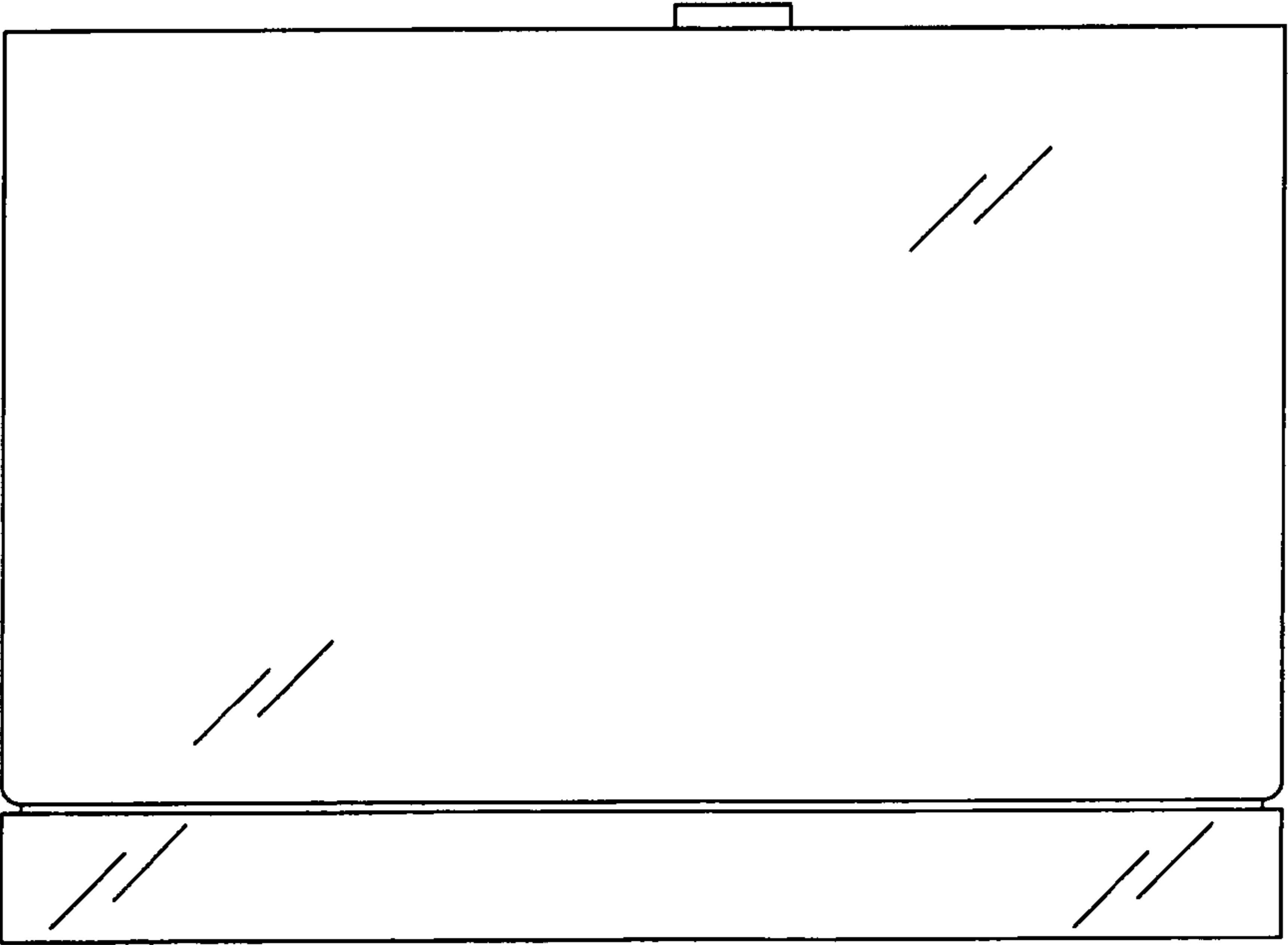


Fig. 2

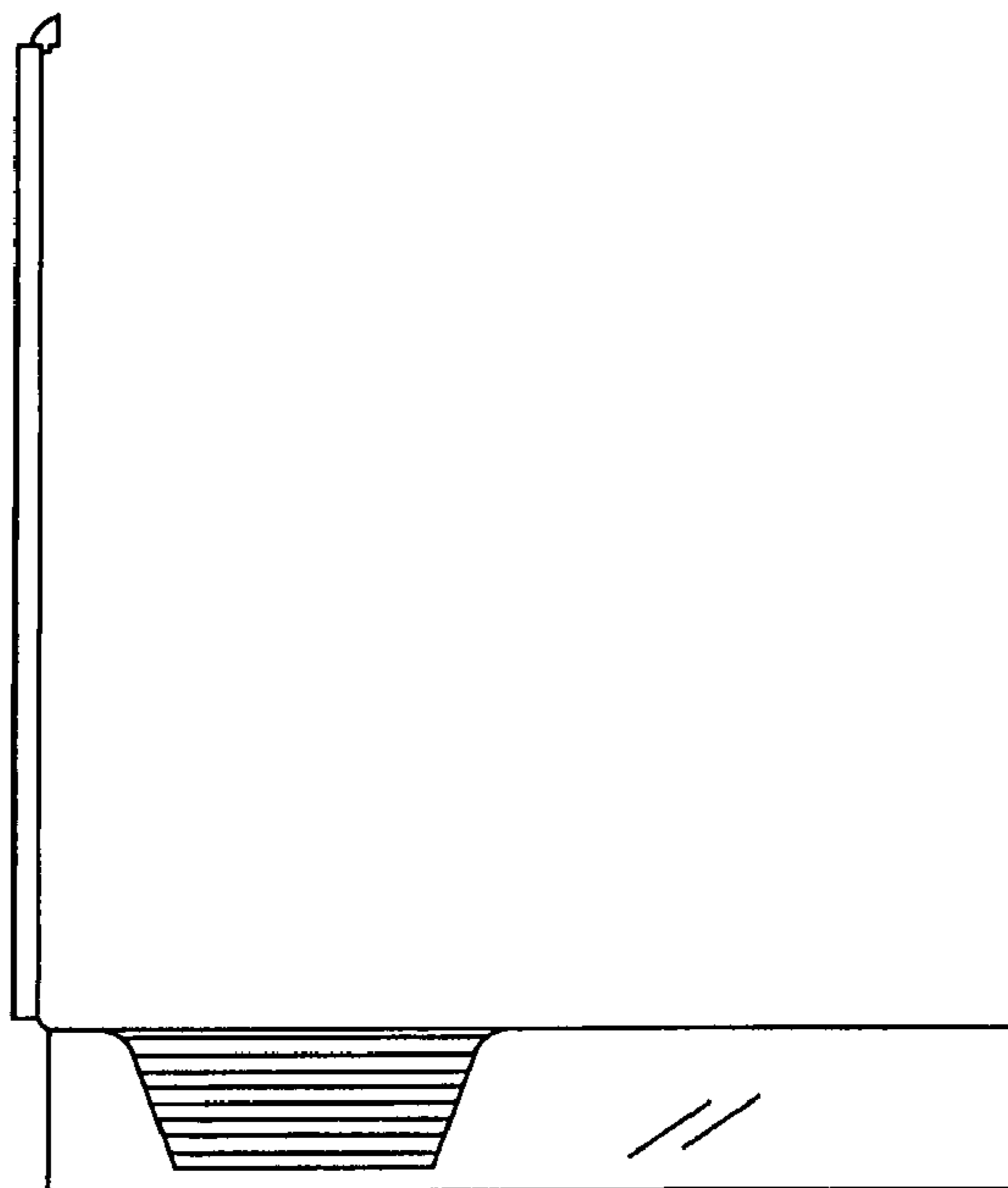


Fig. 3

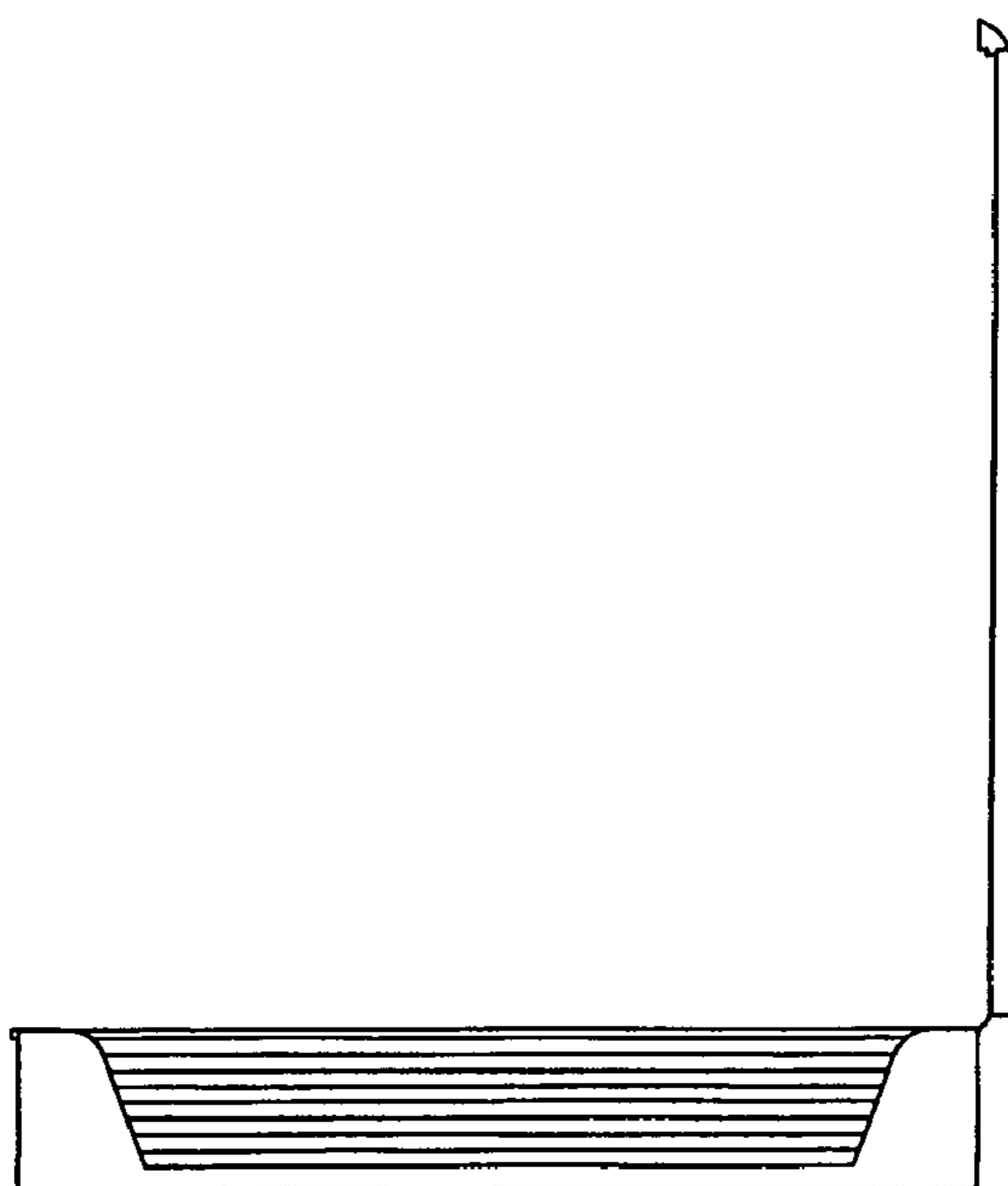


Fig. 4

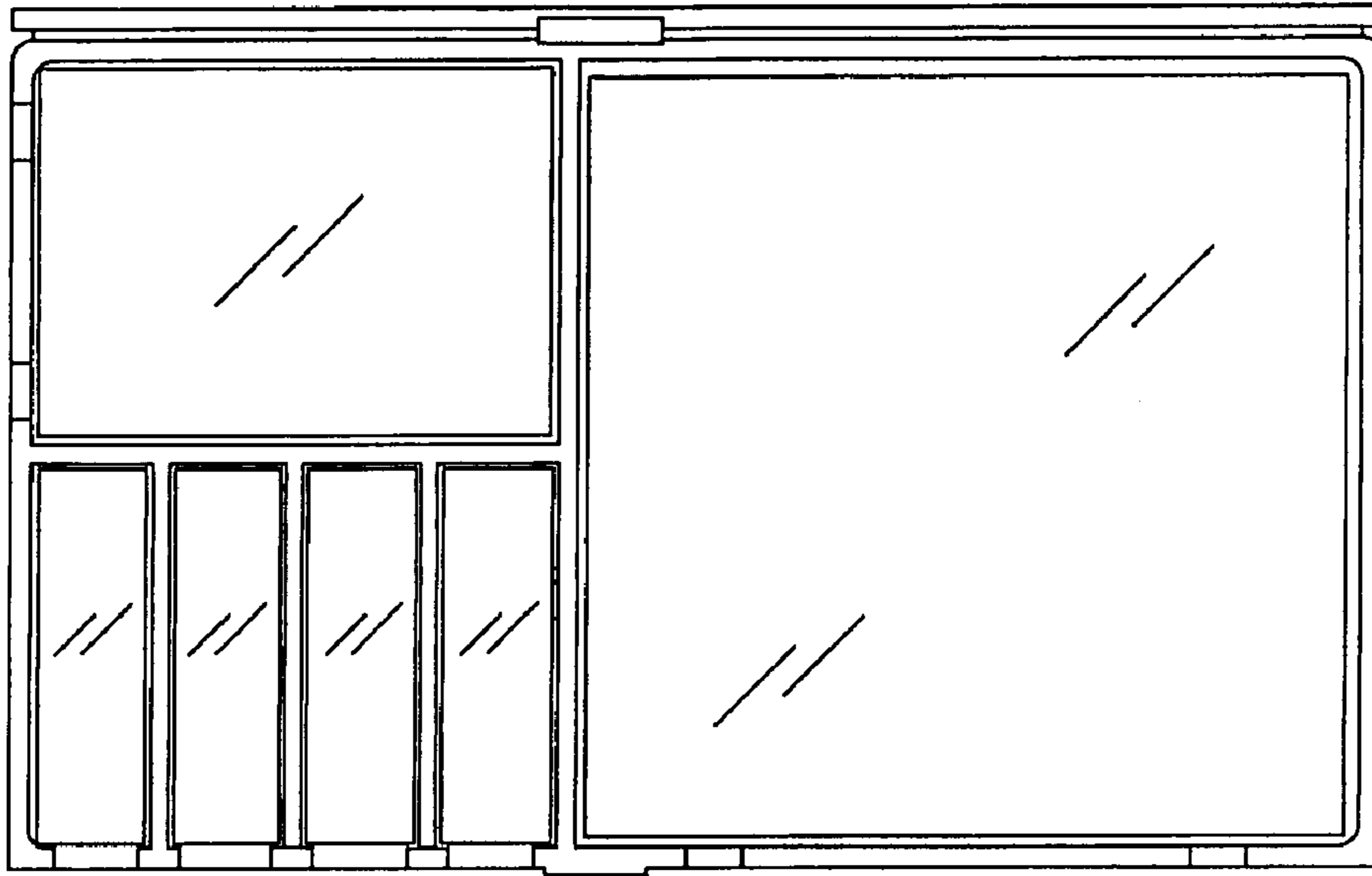


Fig. 5

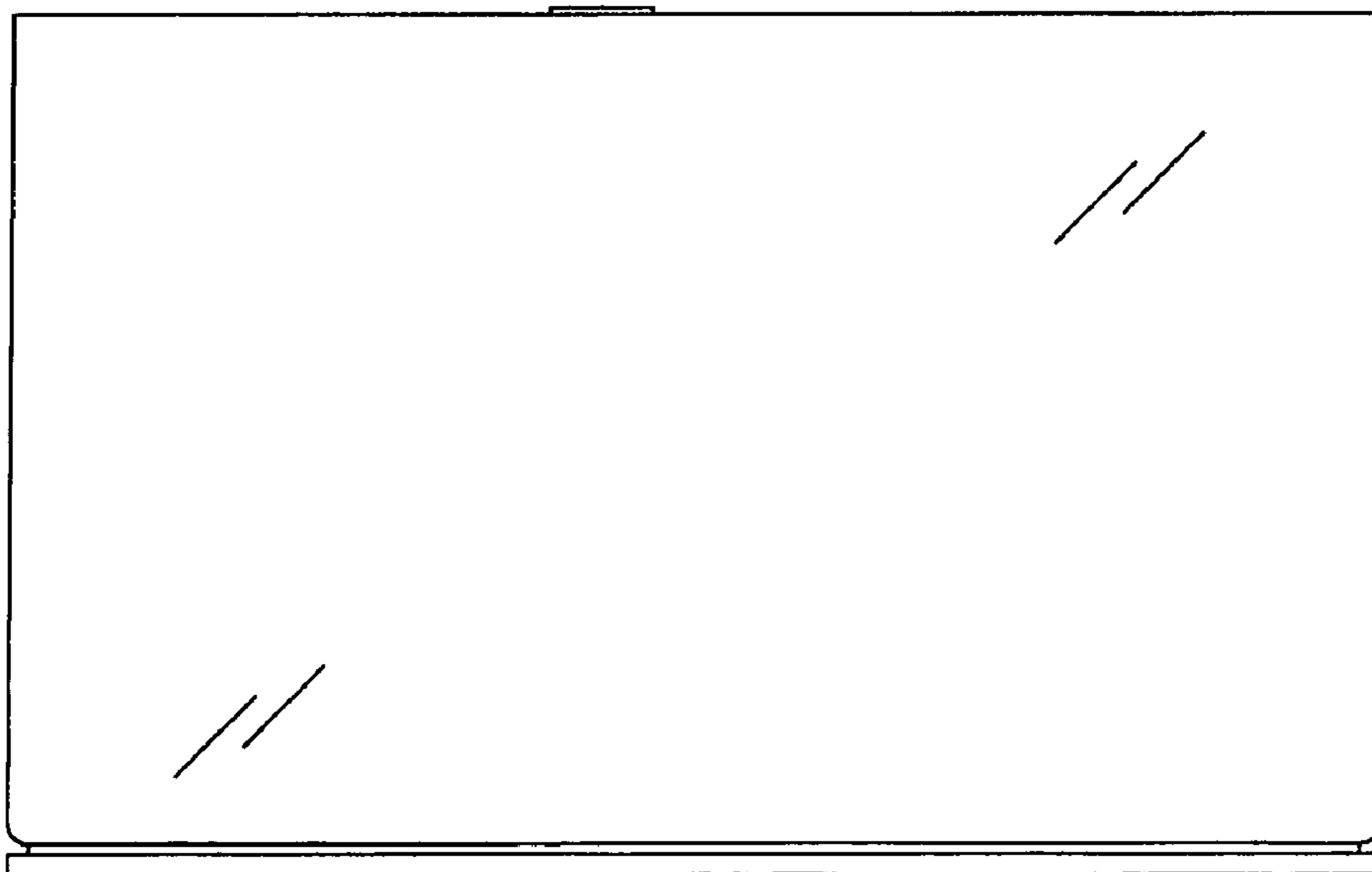


Fig. 6

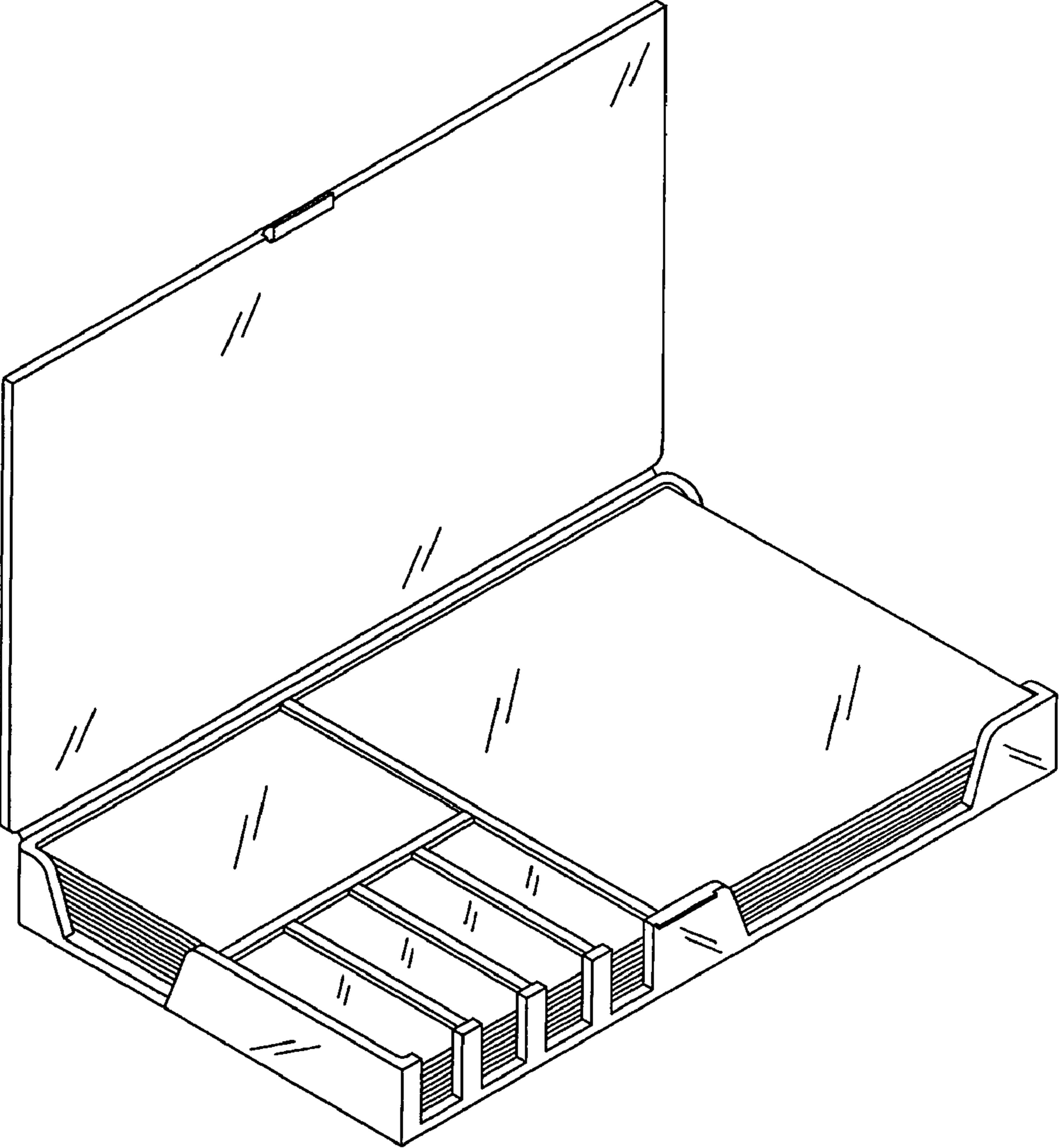


Fig. 7