



US00D640744S

(12) **United States Design Patent**
Jour

(10) **Patent No.:** **US D640,744 S**

(45) **Date of Patent:** **** Jun. 28, 2011**

(54) **NOTEPAPER DISPENSER**

(75) **Inventor:** **David C. T. Jour**, Taipei (TW)

(73) **Assignee:** **Kudos Finder Trading Co., Ltd.**, Taipei (TW)

(**) **Term:** **14 Years**

(21) **Appl. No.:** **29/355,293**

(22) **Filed:** **Feb. 4, 2010**

(51) **LOC (9) Cl.** **19-02**

(52) **U.S. Cl.** **D19/86**

(58) **Field of Classification Search** D6/515,
D6/518, 519; D9/734; D19/65, 75, 78, 86-92,
D19/37; 206/39.5, 215, 233, 494, 555; 221/45,
221/46, 48, 52, 56, 59, 61, 63; D10/71, 72,
D10/73

See application file for complete search history.

(56) **References Cited**

U.S. PATENT DOCUMENTS

D120,743 S *	5/1940	Petzold	D19/89
4,770,320 A *	9/1988	Miles et al.	221/33
5,093,760 A *	3/1992	Bedol	361/679.02
D346,121 S *	4/1994	Lapsker et al.	D10/71
D348,897 S *	7/1994	Bedol	D18/6
D379,569 S *	6/1997	Strickland et al.	D6/518
D398,308 S *	9/1998	Bedol	D14/167

D408,743 S *	4/1999	Bedol	D10/2
D419,601 S *	1/2000	Windorski	D19/86
D420,664 S *	2/2000	Bedol	D14/168
D424,450 S *	5/2000	Bedol	D10/2
D428,926 S *	8/2000	Windorski	D19/86
D482,915 S *	12/2003	Yang et al.	D6/515
D564,812 S *	3/2008	Tomic et al.	D6/518
D570,142 S *	6/2008	Lin	D6/515
D576,506 S *	9/2008	Farnworth et al.	D10/71
D576,507 S *	9/2008	Farnworth et al.	D10/71
D576,508 S *	9/2008	Farnworth et al.	D10/71
D624,967 S *	10/2010	Jour	D19/86

* cited by examiner

Primary Examiner — Elizabeth Albert

(74) *Attorney, Agent, or Firm* — Rabin & Berdo, PC

(57) **CLAIM**

An ornamental design for a notepaper dispenser, as shown and described.

DESCRIPTION

FIG. 1 is a front view of a notepaper dispenser showing my new design;

FIG. 2 is a rear view thereof;

FIG. 3 is a left side view thereof;

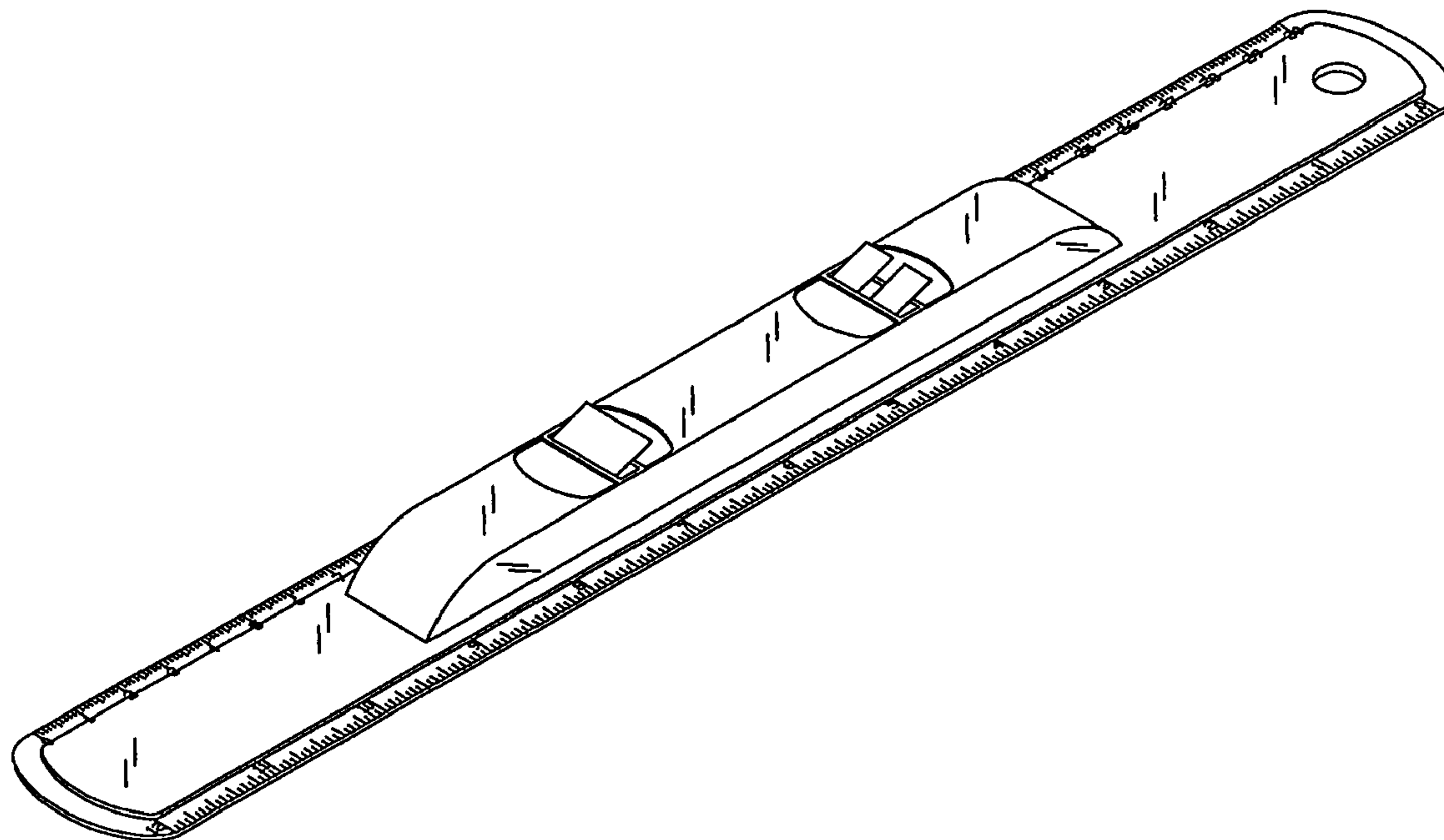
FIG. 4 is a right side view thereof;

FIG. 5 is a top plan view thereof;

FIG. 6 is a bottom plan view thereof; and,

FIG. 7 is a perspective view thereof.

1 Claim, 4 Drawing Sheets



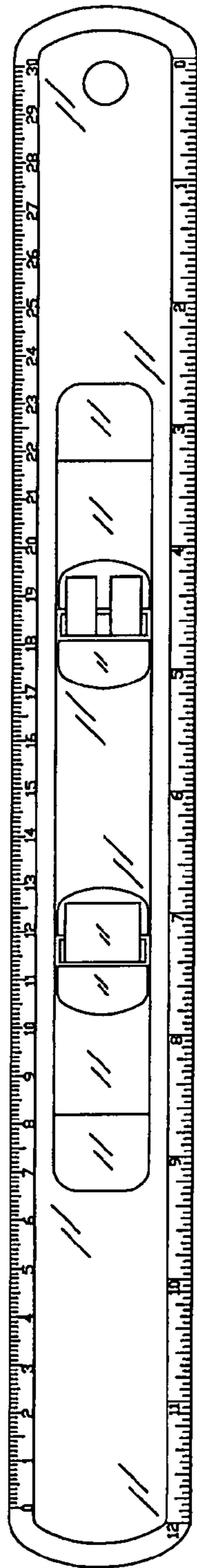


Fig. 1

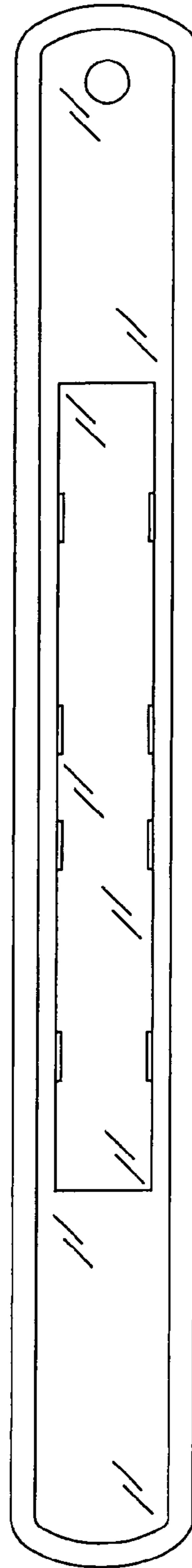


Fig. 2

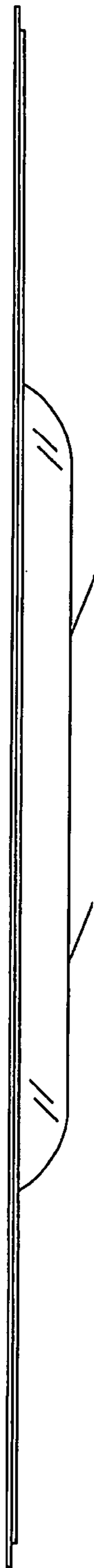


Fig. 3



Fig. 4



Fig. 5



Fig. 6

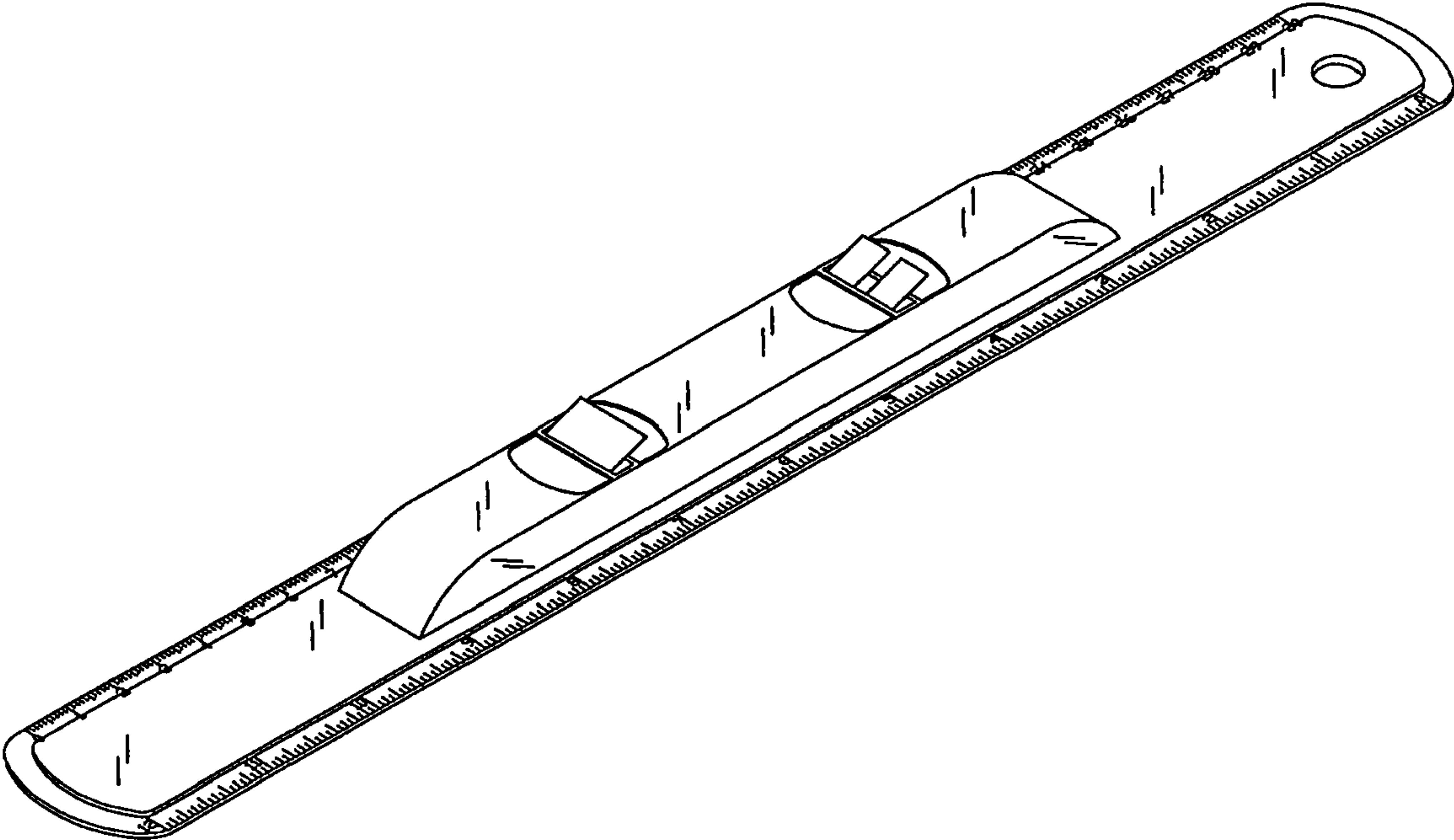


Fig. 7