



US00D640741S

(12) **United States Design Patent**  
**Renner et al.**

(10) **Patent No.:** **US D640,741 S**  
(45) **Date of Patent:** **\*\* Jun. 28, 2011**

(54) **PENCIL**

(75) Inventors: **Reinhard Renner**, Esslingen (DE);  
**Ulrich Schweig**, Esslingen (DE)

(73) Assignee: **J.S. Staedtler GmbH & Co. KG**,  
Nürnberg (DE)

(\*\*) Term: **14 Years**

(21) Appl. No.: **29/365,837**

(22) Filed: **Jul. 15, 2010**

**Related U.S. Application Data**

(62) Division of application No. 29/314,907, filed on May 7, 2009, now Pat. No. Des. 620,979.

**Foreign Application Priority Data**

Nov. 11, 2008 (EM) ..... 001 037 139

(51) **LOC (9) Cl.** ..... **19-06**

(52) **U.S. Cl.** ..... **D19/45**

(58) **Field of Classification Search** ..... D19/35,  
D19/36, 41-51, 53-57; 15/435, 436; 16/430;  
24/10 P, 11 R, 11 F, 11 P; 401/6, 52, 88,  
401/99, 100, 104-109, 192, 195, 196  
See application file for complete search history.

(56) **References Cited**

**U.S. PATENT DOCUMENTS**

D18,410 S \* 6/1888 Richards ..... D19/54  
D25,606 S \* 6/1896 Kaiser ..... D19/49

D107,521 S \* 12/1937 Kropsch ..... D19/49  
2,107,816 A \* 2/1938 Chesler ..... 401/96  
2,171,188 A \* 8/1939 Morris ..... 401/52  
2,893,109 A \* 7/1959 Young ..... 29/90.01  
D217,838 S \* 6/1970 Lee et al. .... D19/43  
D231,409 S \* 4/1974 Jenkins ..... D19/54  
4,580,919 A \* 4/1986 Ambasz ..... 401/117  
4,625,366 A \* 12/1986 Egerer ..... 19/97  
D313,245 S \* 12/1990 Iwase ..... D19/43  
5,056,945 A \* 10/1991 Klodt ..... 401/6  
6,179,502 B1 \* 1/2001 Gray ..... 401/96  
D466,155 S \* 11/2002 Brunetti ..... D19/49  
D588,641 S \* 3/2009 Koch ..... D19/48  
D605,695 S \* 12/2009 Leibeck ..... D19/43

\* cited by examiner

*Primary Examiner* — Elizabeth A Albert

(74) *Attorney, Agent, or Firm* — Lucas & Mercanti, LLP;  
Klaus P. Stoffel

(57) **CLAIM**

The ornamental design for a pencil, as shown and described.

**DESCRIPTION**

FIG. 1 is an elevational side view of the pencil of the present invention;

FIG. 2 is another side view thereof;

FIG. 3 is another side view thereof;

FIG. 4 is another side view thereof;

FIG. 5 is a front view thereof;

FIG. 6 is an enlarged rear view thereof; and,

FIG. 7 is an enlarged front view thereof.

**1 Claim, 5 Drawing Sheets**

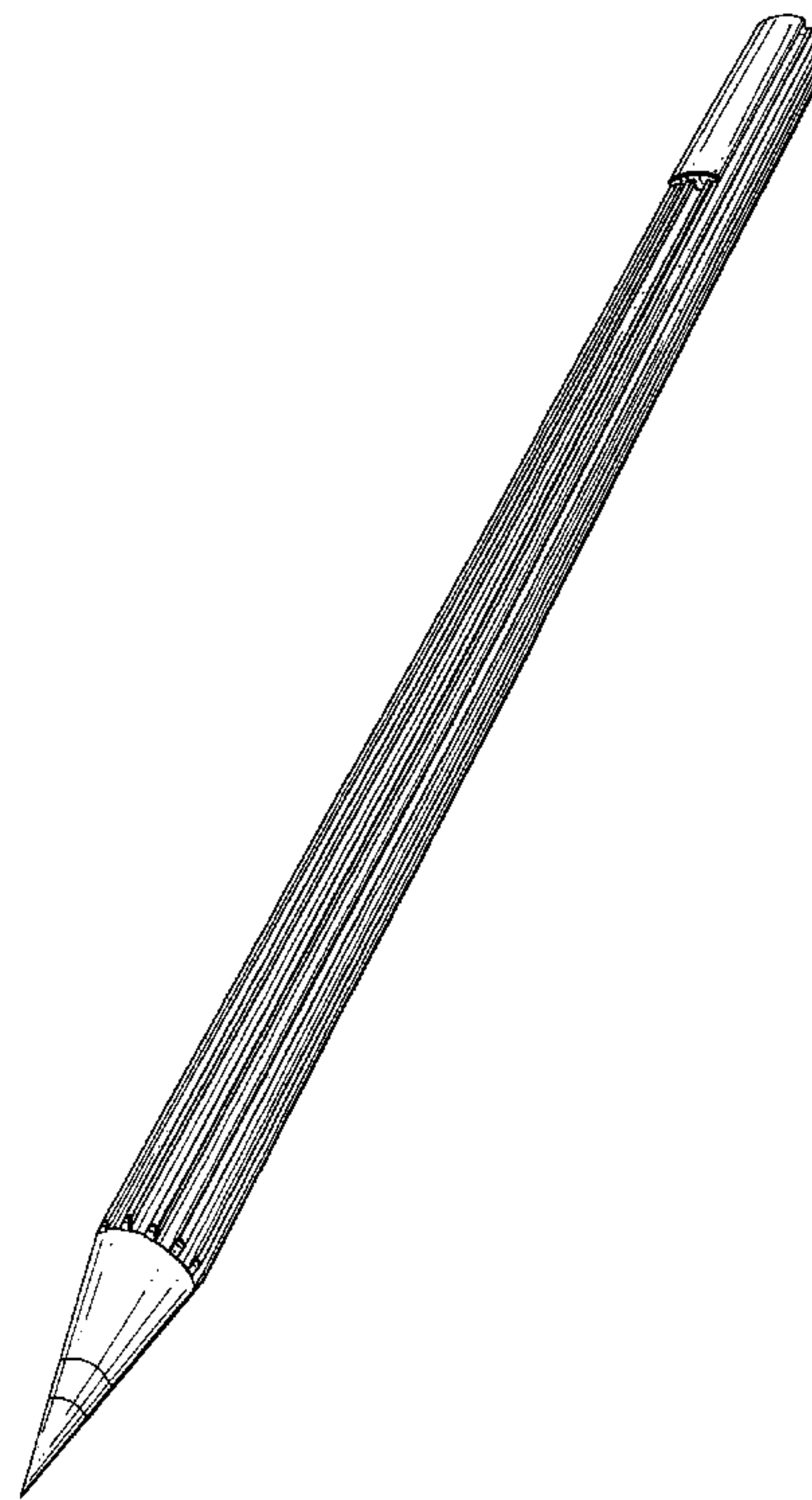
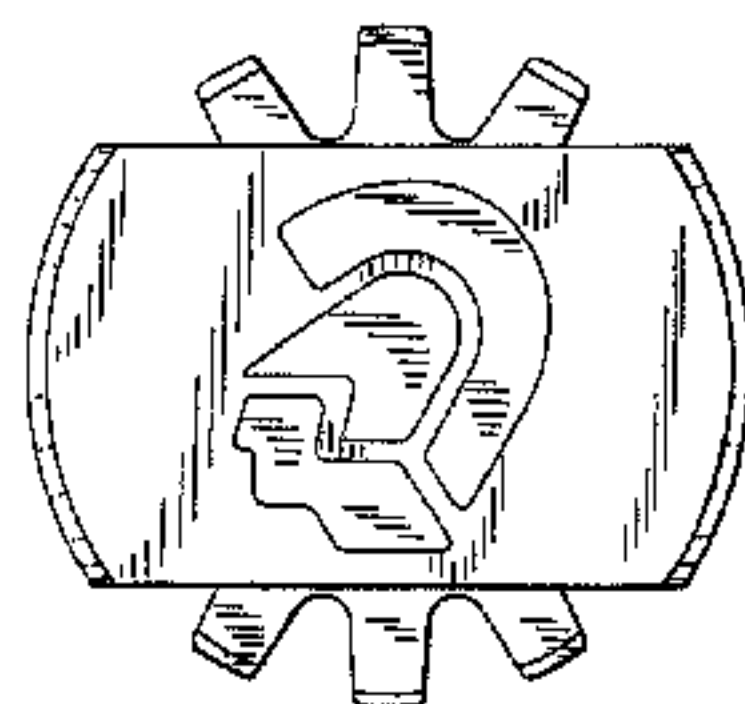


FIG. 1

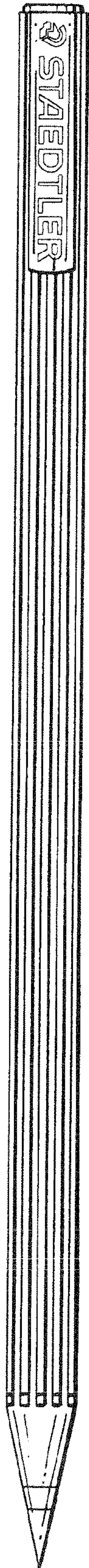


FIG. 2



FIG. 3

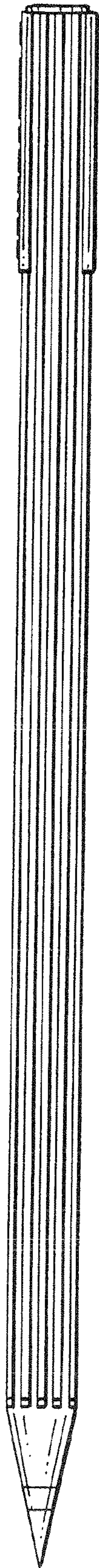
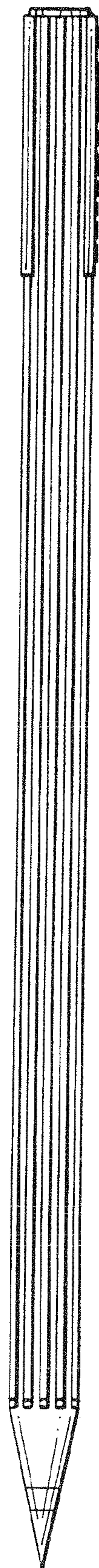
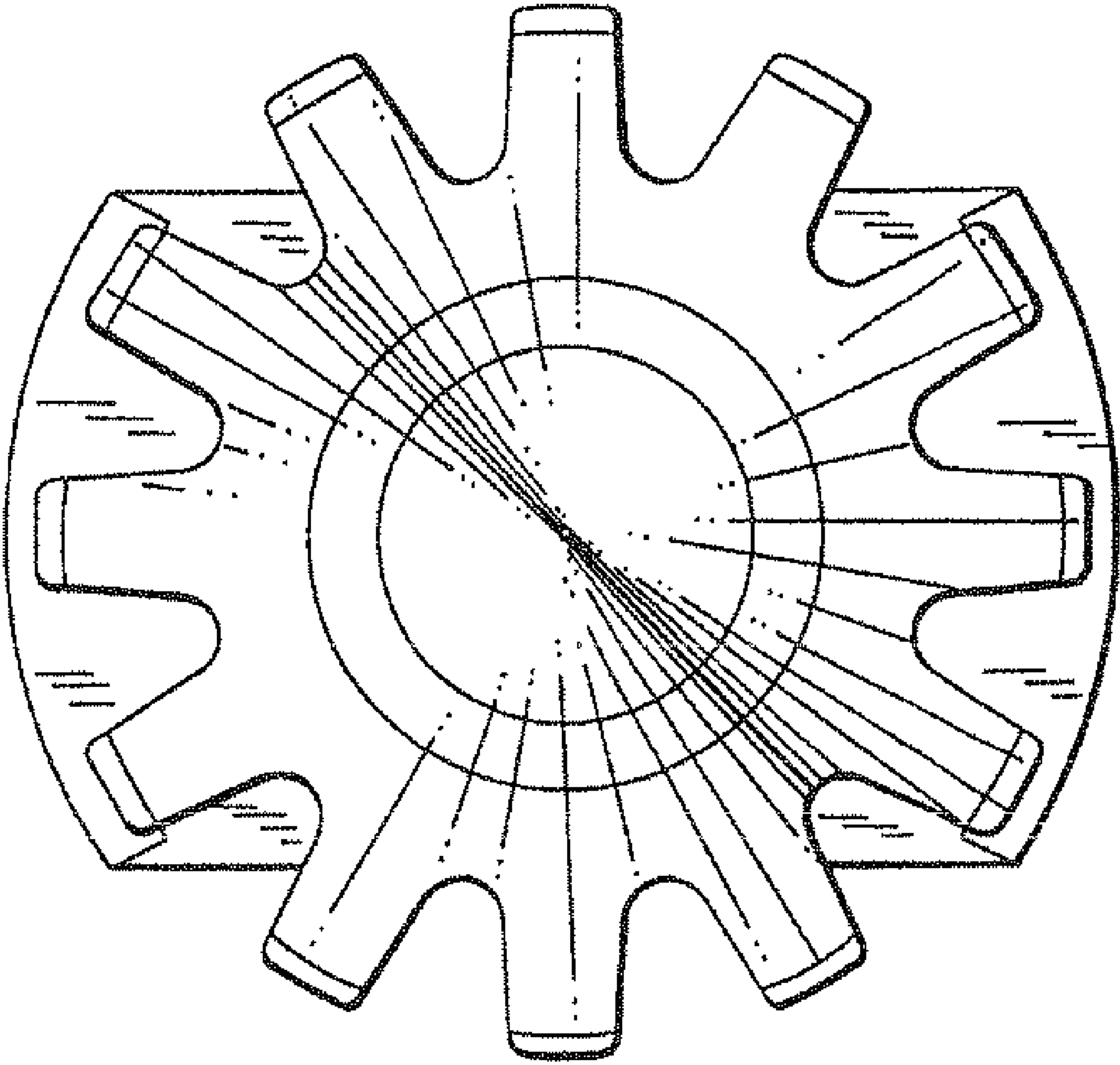


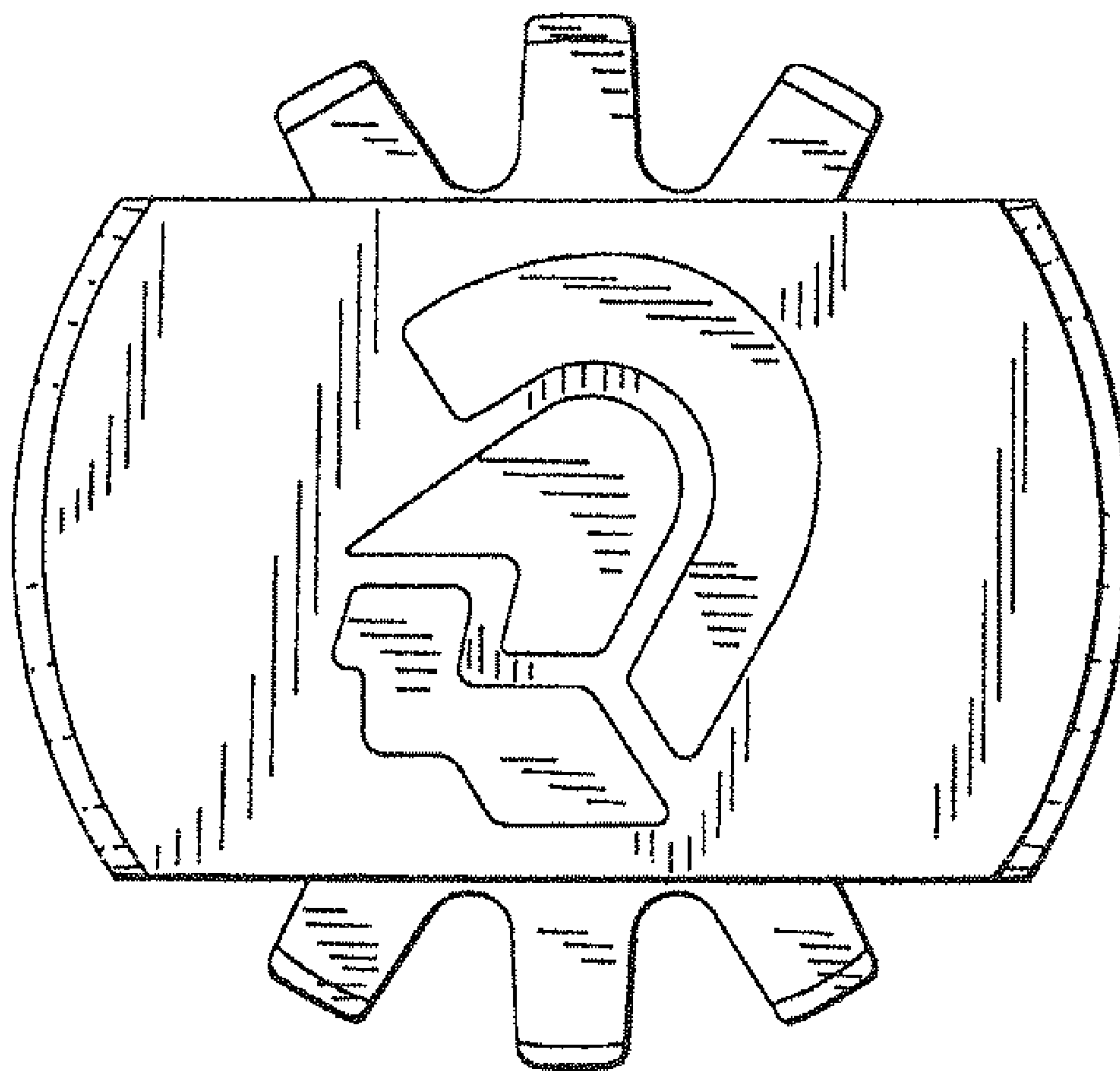
FIG. 4







*FIG. 5*



**FIG. 6**

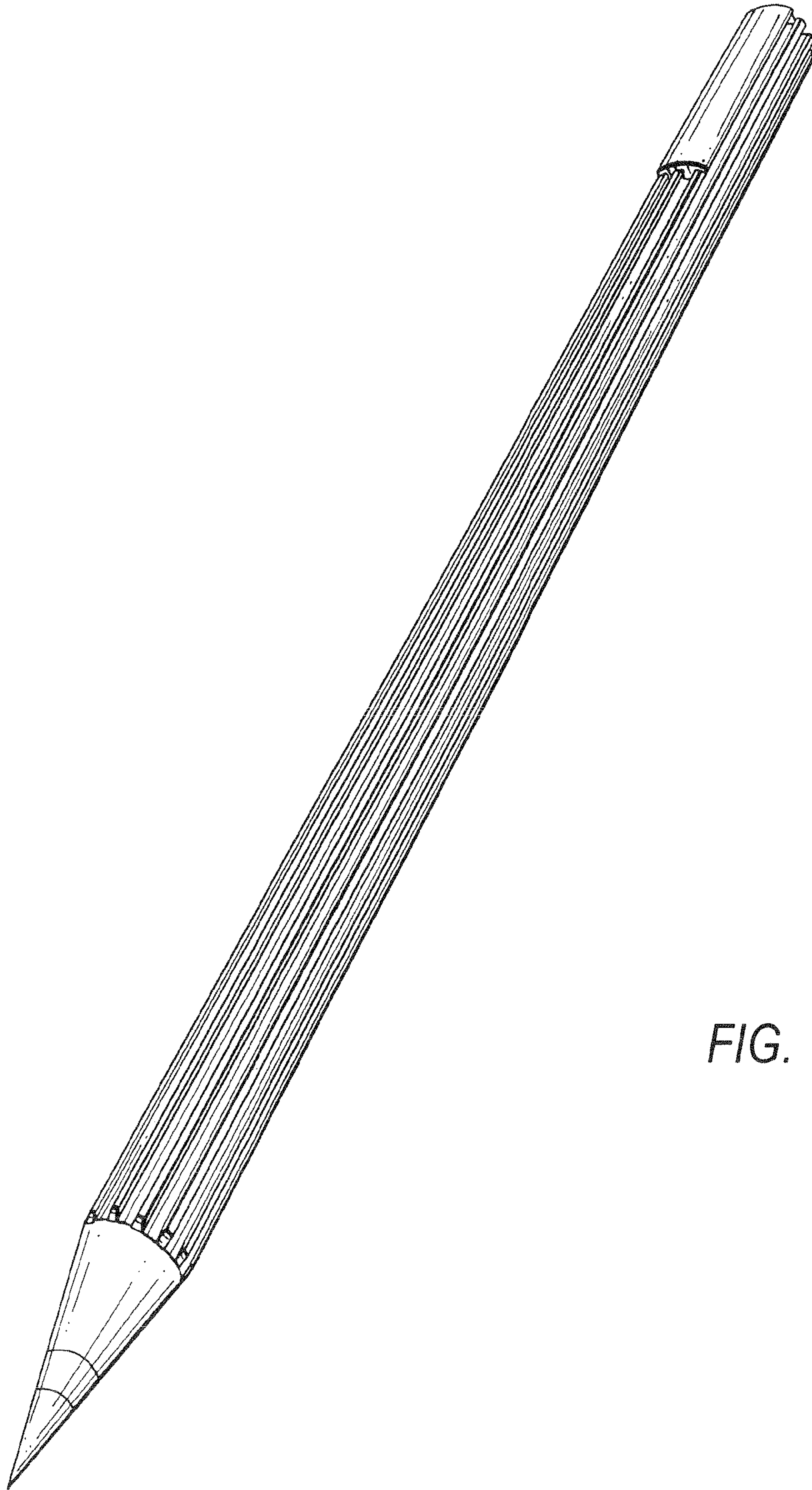


FIG. 7