



US00D640735S

(12) **United States Design Patent**  
**Kimura et al.**

(10) **Patent No.:** **US D640,735 S**

(45) **Date of Patent:** **\*\* Jun. 28, 2011**

(54) **PRINTER**

(75) Inventors: **Seiji Kimura**, Shiojiri (JP); **Kanako Nakatani**, Matsumoto (JP); **Kenichi Hirabayashi**, Shiojiri (JP); **Shinsuke Tomomatsu**, Matsumoto (JP)

(73) Assignee: **Seiko Epson Corporation**, Tokyo (JP)

(\*\*) Term: **14 Years**

(21) Appl. No.: **29/364,453**

(22) Filed: **Jun. 23, 2010**

(30) **Foreign Application Priority Data**

Dec. 28, 2009 (JP) ..... 2009-030502  
Jan. 6, 2010 (JP) ..... 2010-000188

(51) **LOC (9) Cl.** ..... **14-02**

(52) **U.S. Cl.** ..... **D18/50**

(58) **Field of Classification Search** ..... D18/19,  
D18/34.1, 36-37, 50, 54, 54.1, 55; D14/420-425,  
D14/434, 463-470; 400/613.1-613.4, 690,  
400/690.1-690.4, 691-694  
See application file for complete search history.

(56) **References Cited**

**U.S. PATENT DOCUMENTS**

D236,489 S \* 8/1975 Pycha et al. .... D14/359  
D303,979 S \* 10/1989 Kato et al. .... D18/55  
D323,526 S \* 1/1992 Kobayashi ..... D18/54  
D340,471 S 10/1993 Yamamoto  
D369,177 S \* 4/1996 Kasai et al. .... D18/54  
D465,236 S 11/2002 Fukasawa et al.  
D491,217 S 6/2004 Miyauchi et al.  
D527,413 S \* 8/2006 Delaney et al. .... D18/50  
D558,819 S 1/2008 Kimura et al.

D577,764 S 9/2008 Yamano et al.  
D607,507 S 1/2010 Kimura et al.  
7,914,219 B2 \* 3/2011 Harris ..... 400/693  
2003/0170064 A1 \* 9/2003 Hetzer et al. .... 400/693

**FOREIGN PATENT DOCUMENTS**

JP 1264936 S 3/2006

\* cited by examiner

*Primary Examiner* — Cathy A MacCormac

(57) **CLAIM**

The ornamental design for a printer, as shown and described.

**DESCRIPTION**

FIG. 1 is a top, front and right side perspective view of a printer showing our new design;  
FIG. 2 is a top, rear and left side perspective view thereof;  
FIG. 3 is a front view thereof;  
FIG. 4 is a rear view thereof;  
FIG. 5 is a top plan view thereof;  
FIG. 6 is a bottom plan view thereof;  
FIG. 7 is a right side elevational view thereof;  
FIG. 8 is a left side elevational view thereof;  
FIG. 9 is a top, front and right side perspective view of a printer according to a second embodiment of the present design;  
FIG. 10 is a top, rear and left side perspective view thereof;  
FIG. 11 is a front view thereof;  
FIG. 12 is a rear view thereof;  
FIG. 13 is a top plan view thereof;  
FIG. 14 is a bottom plan view thereof;  
FIG. 15 is a right side elevational view thereof; and,  
FIG. 16 is a left side elevational view thereof.

**1 Claim, 12 Drawing Sheets**

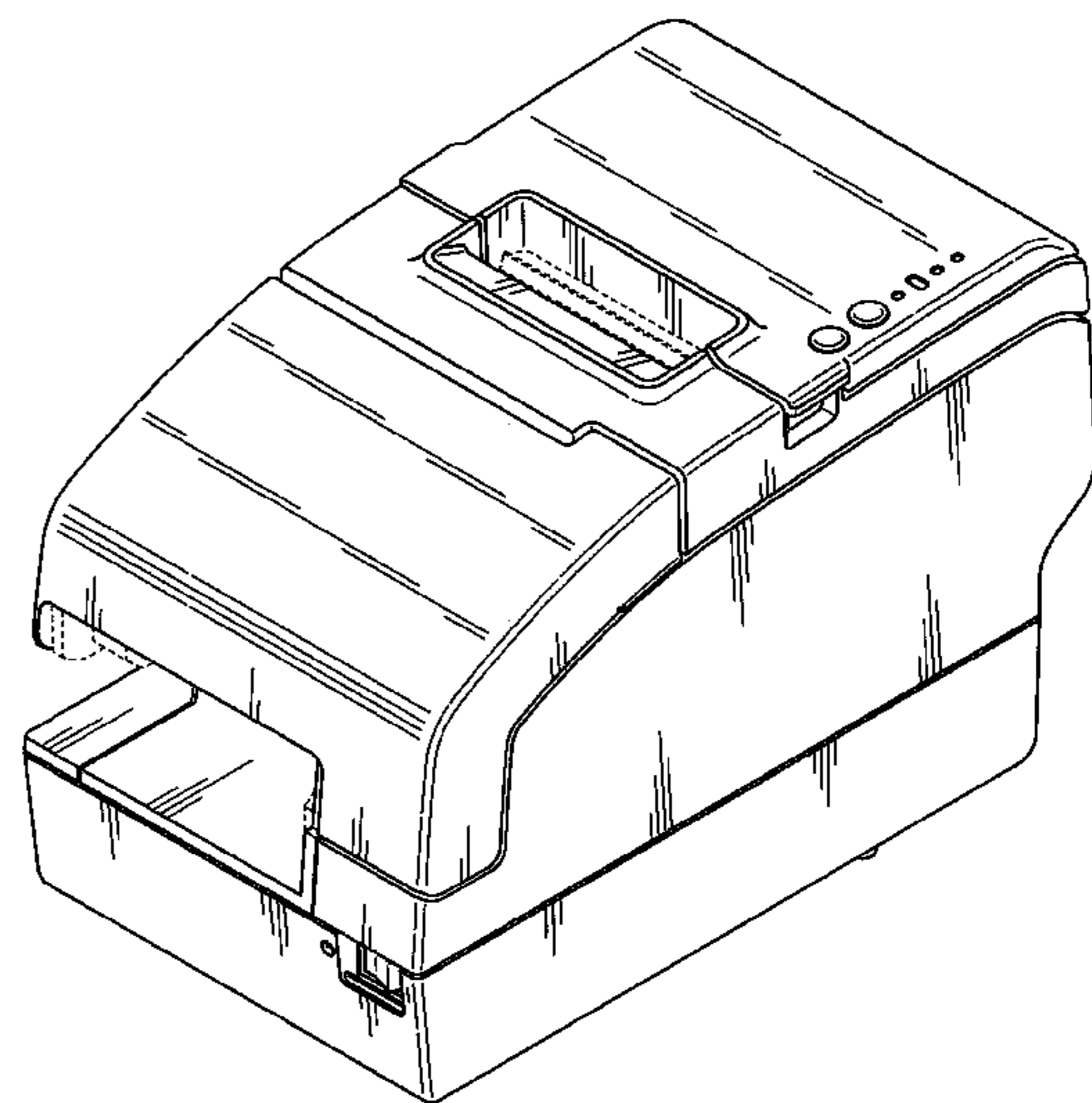
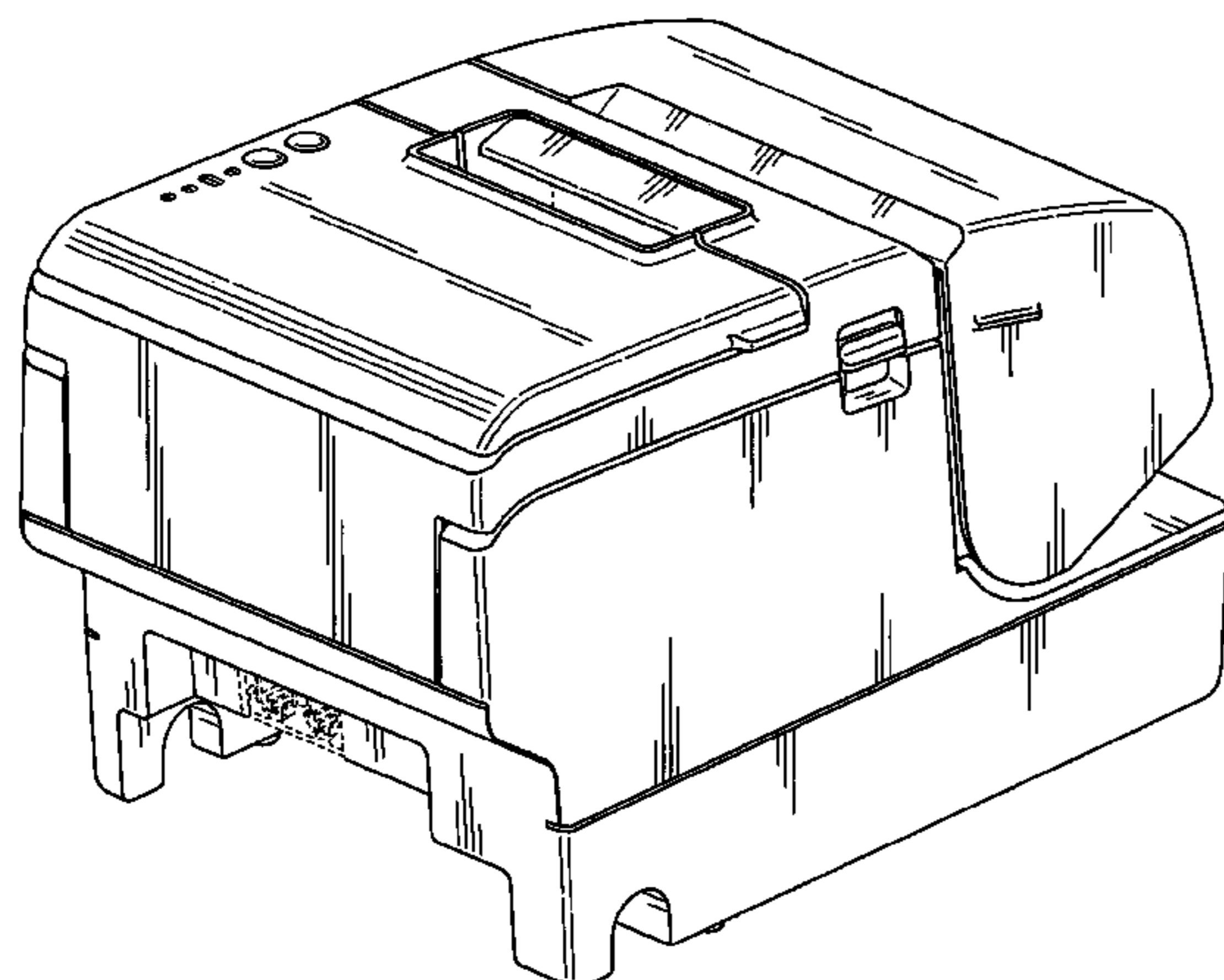


Fig. 1

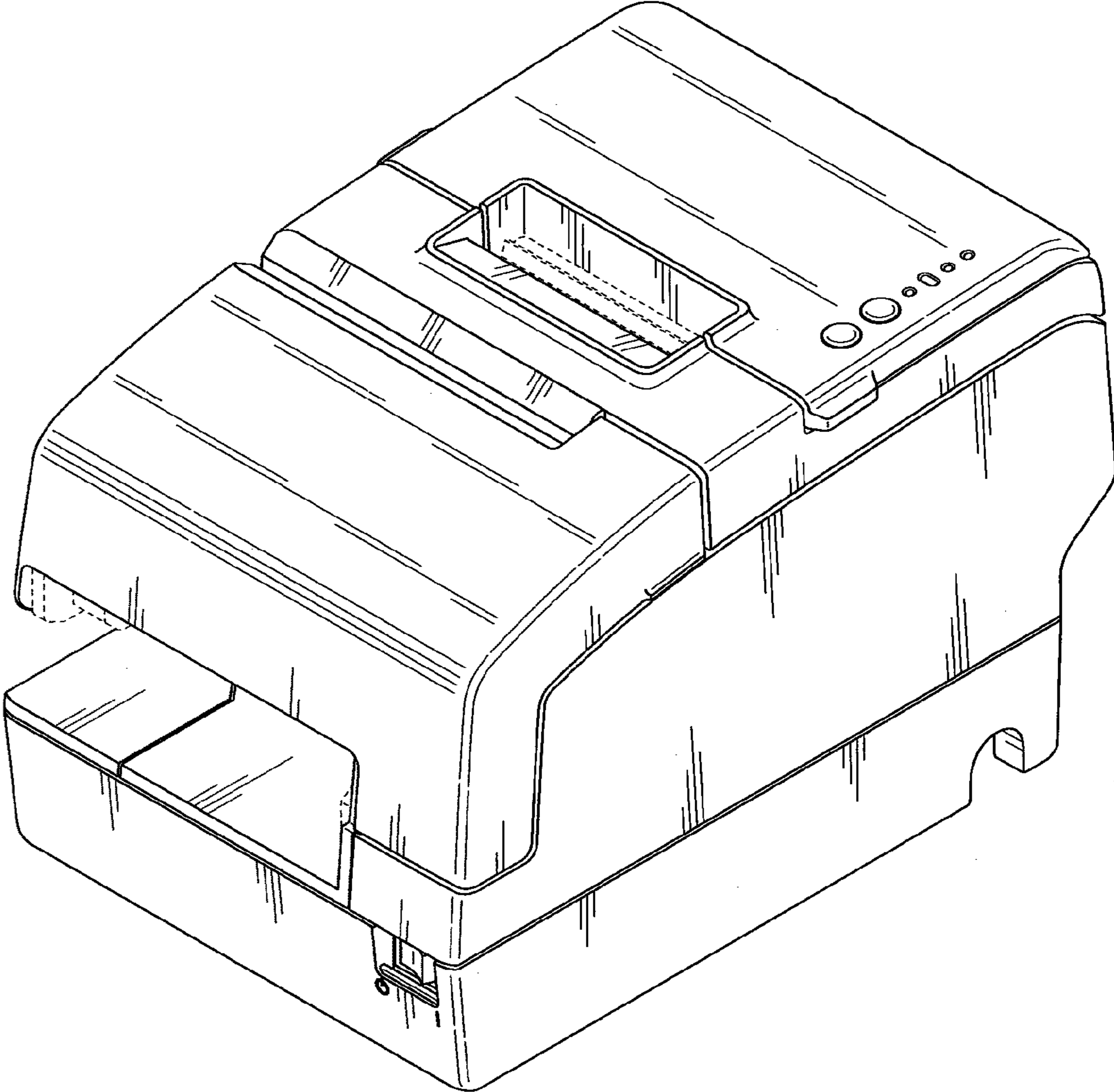


Fig. 2

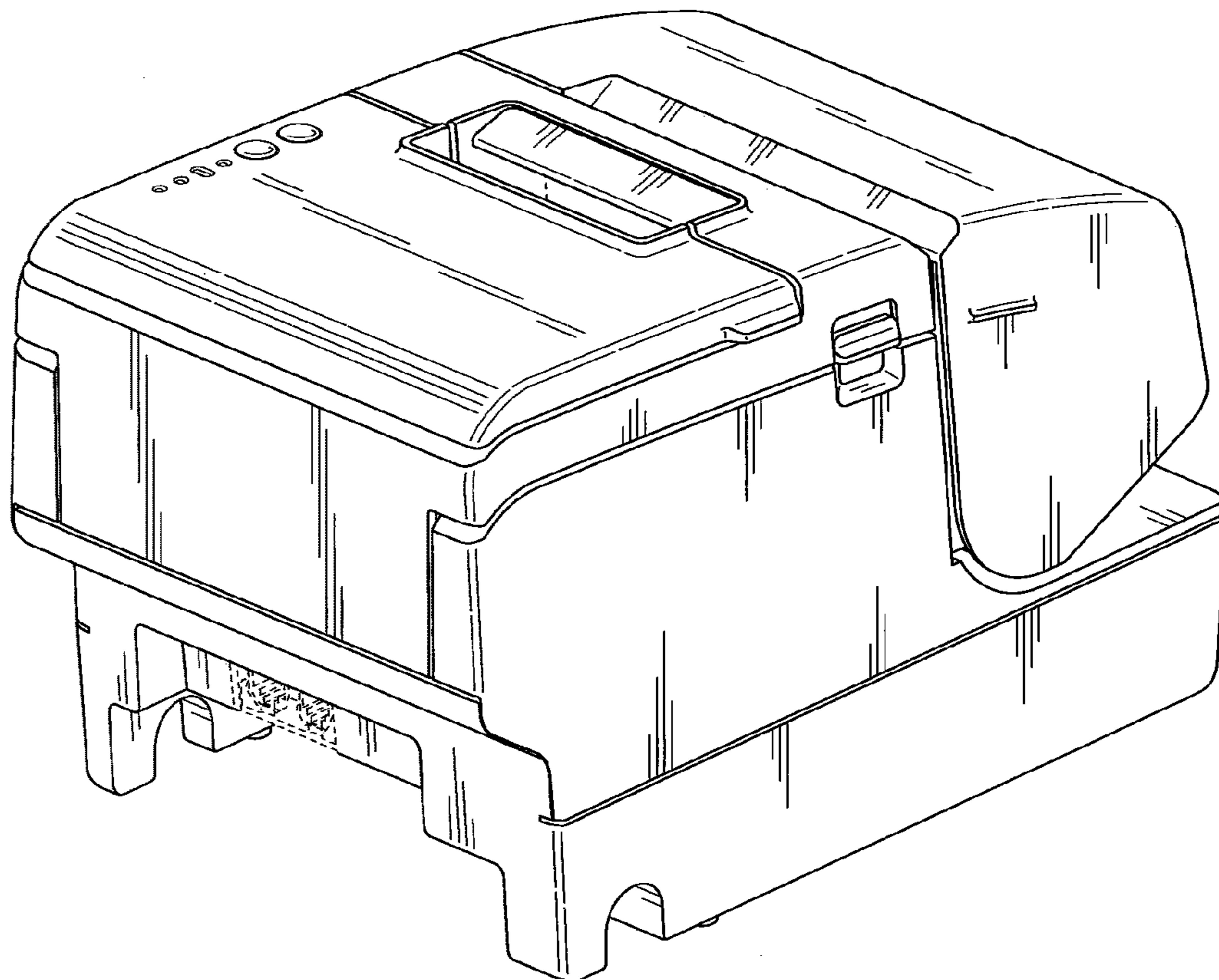


Fig. 3

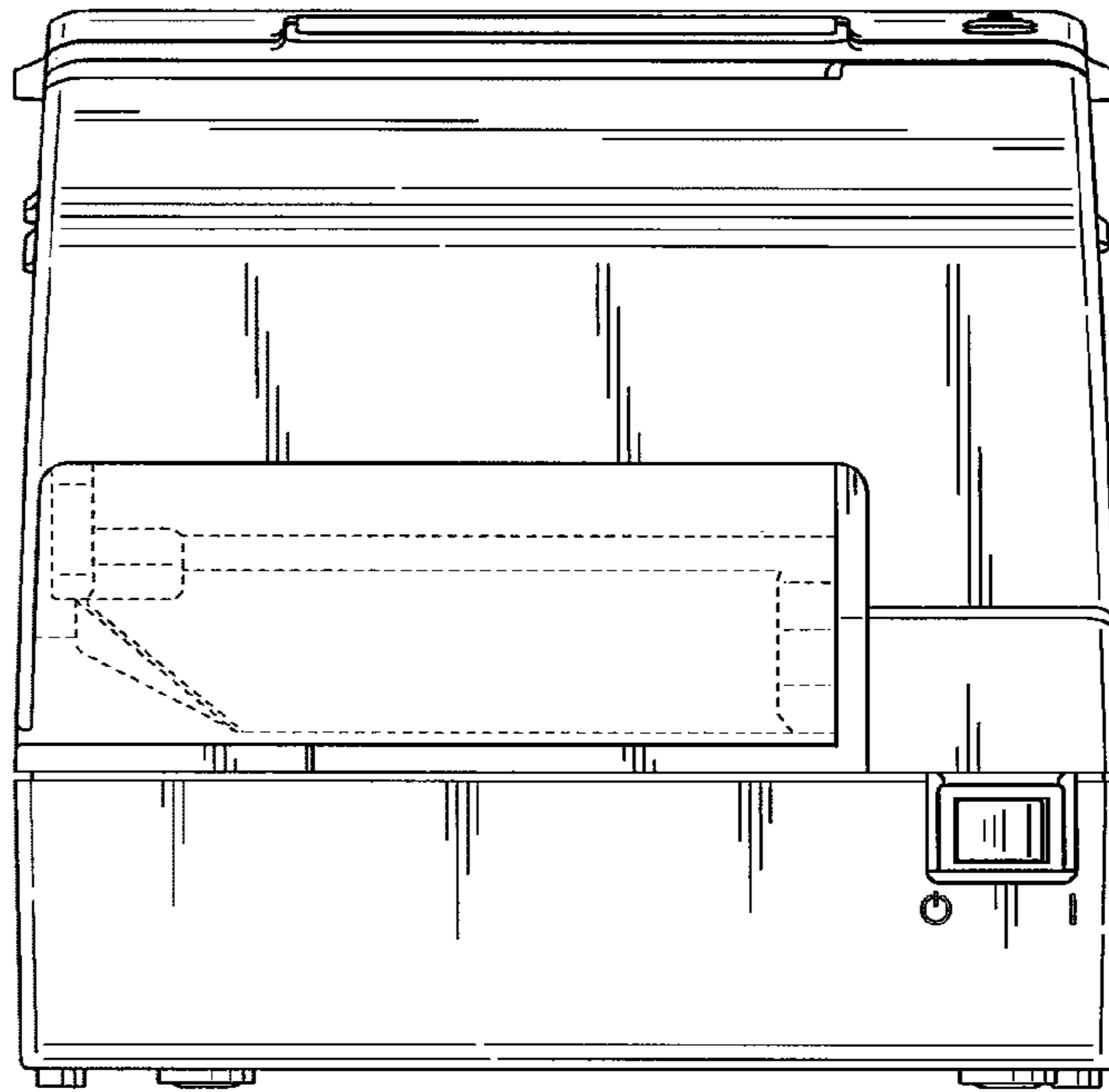


Fig. 4

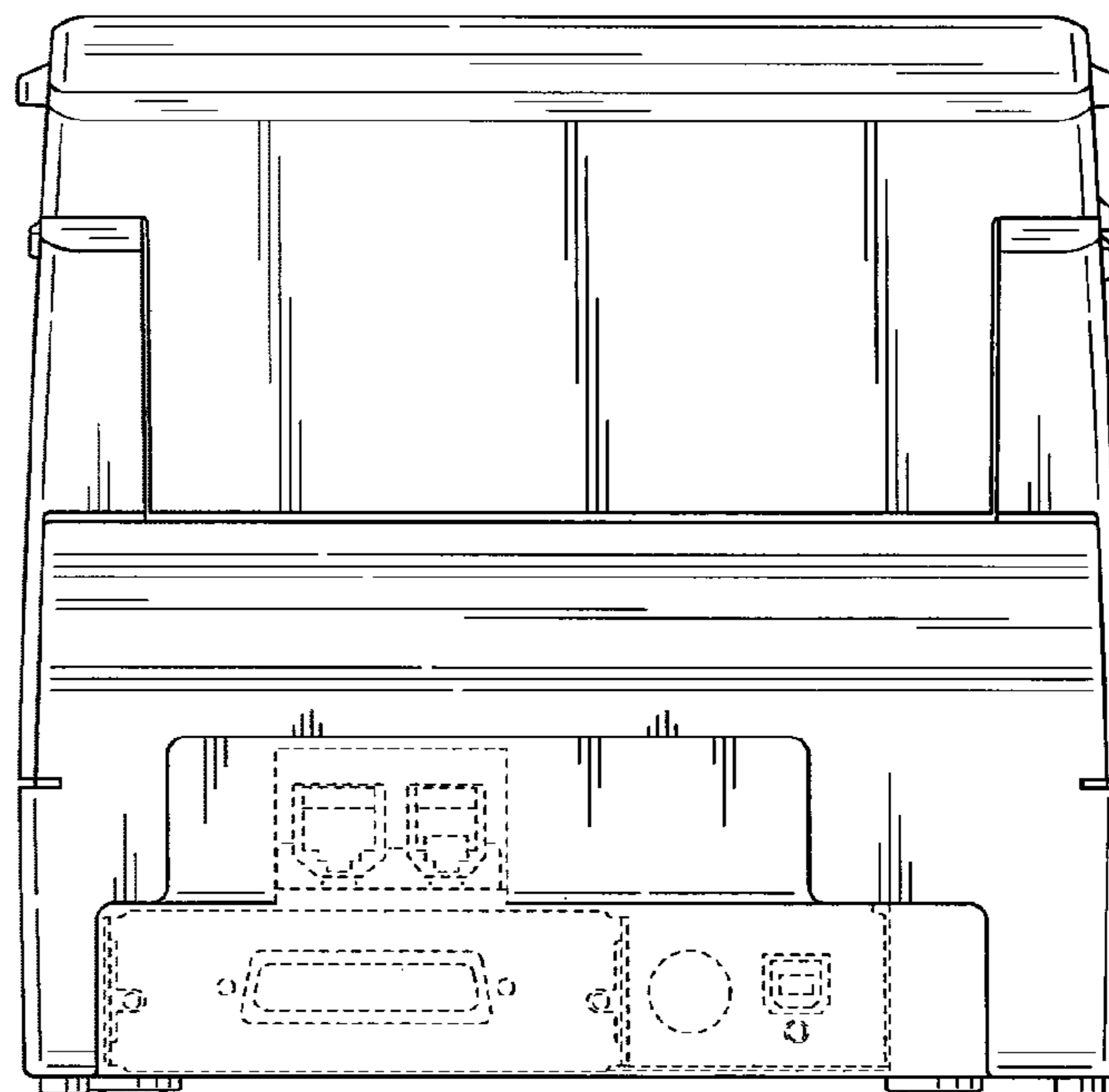


Fig. 5

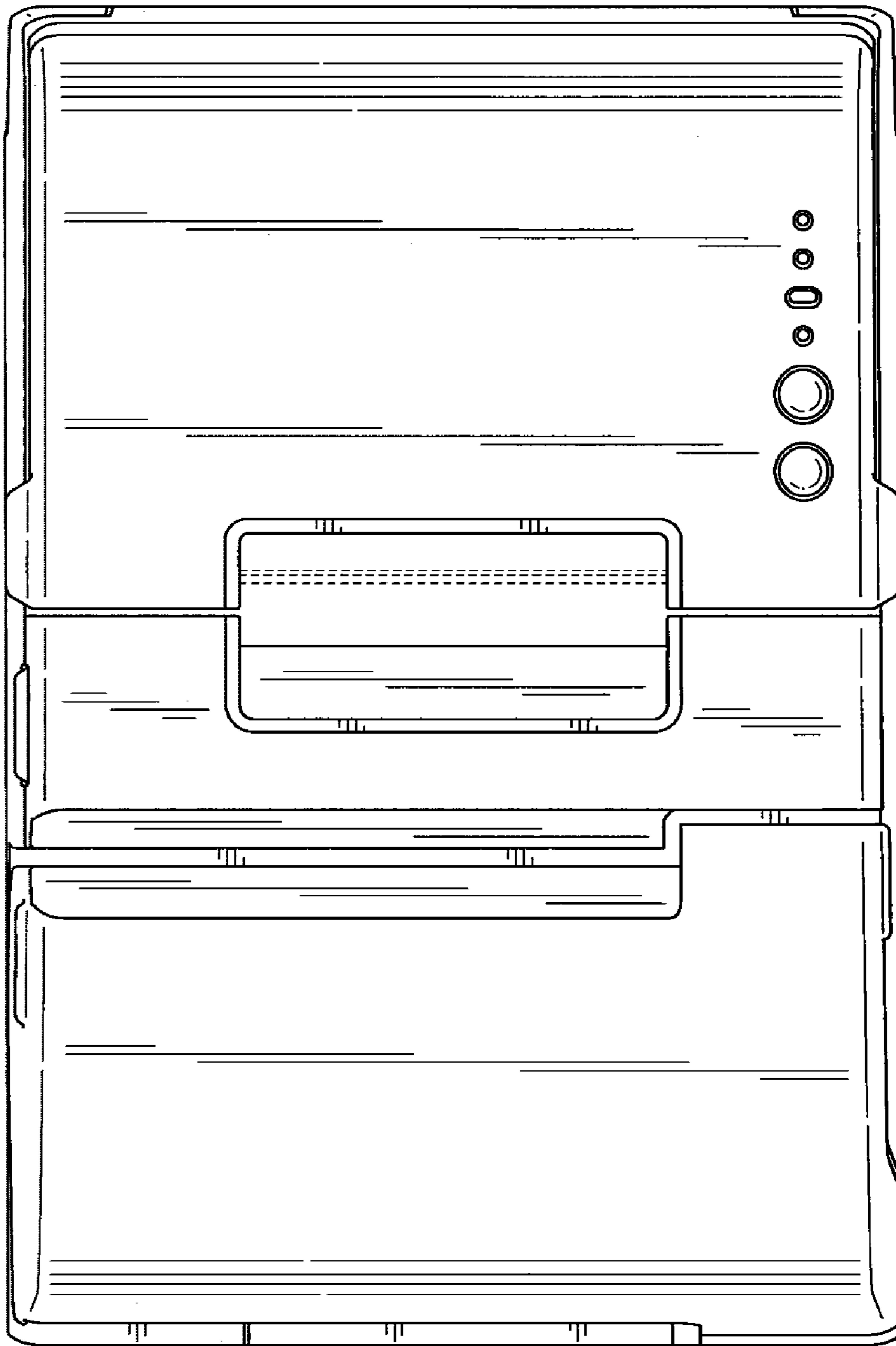


Fig. 6

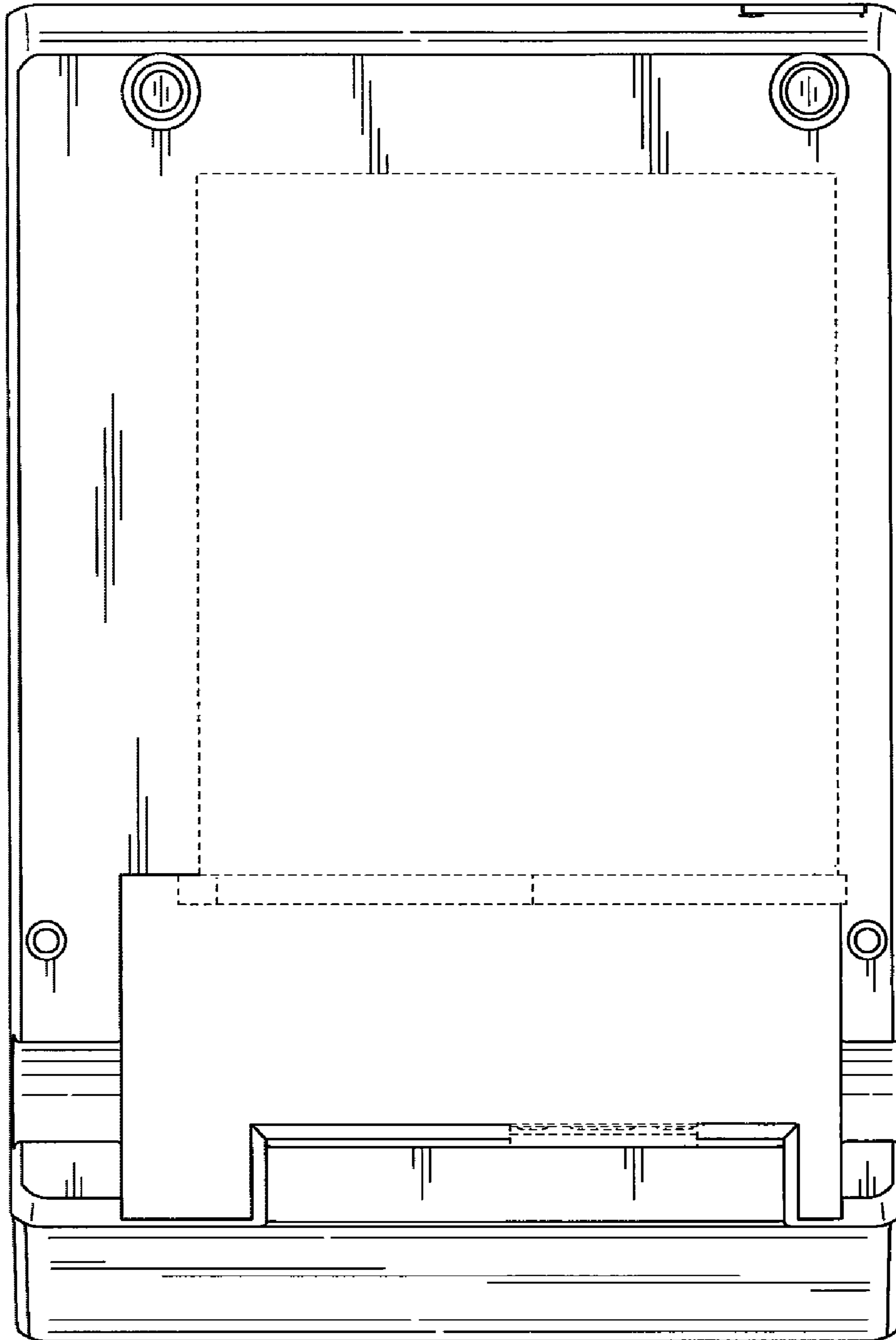


Fig. 7

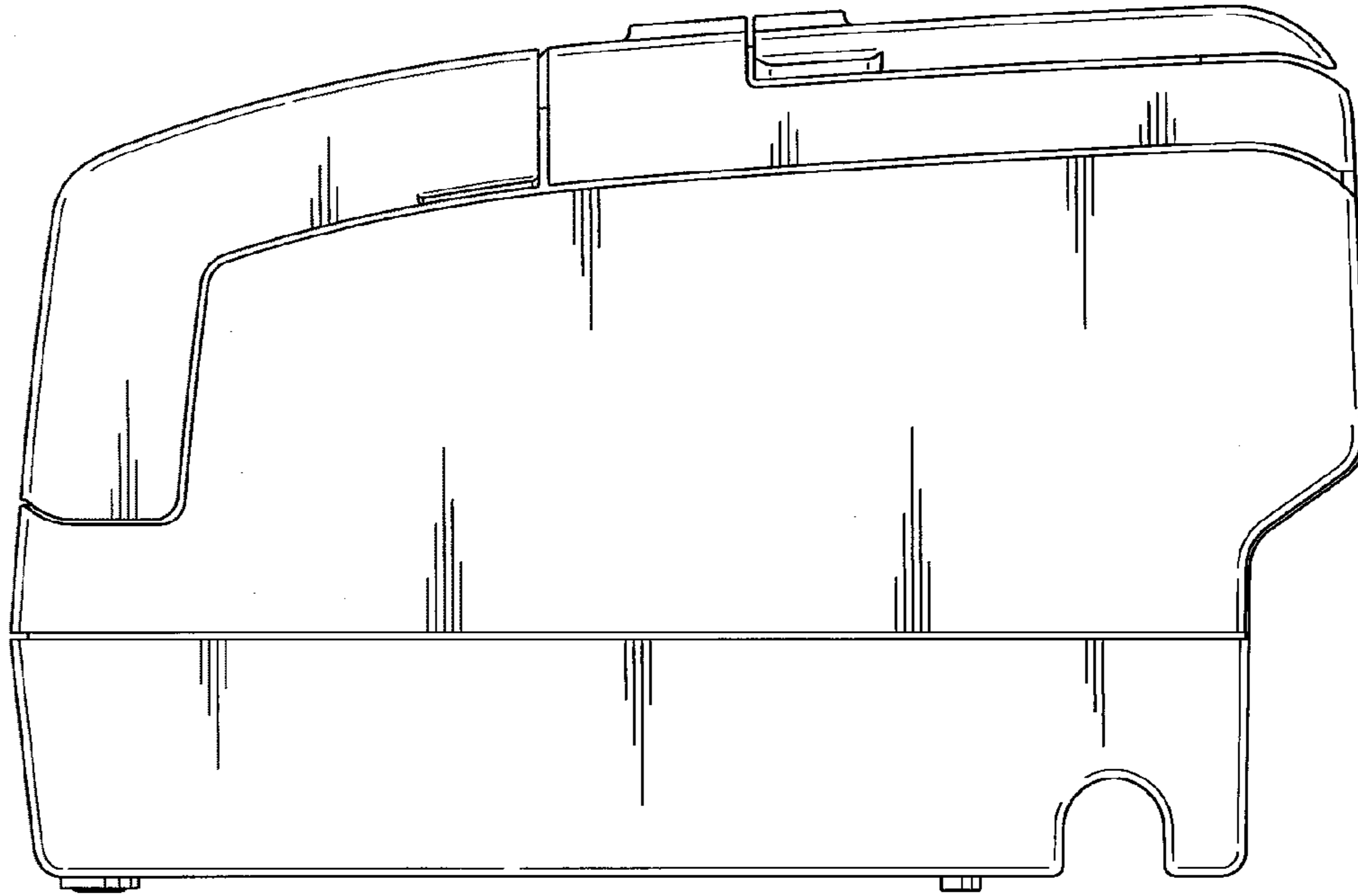


Fig. 8

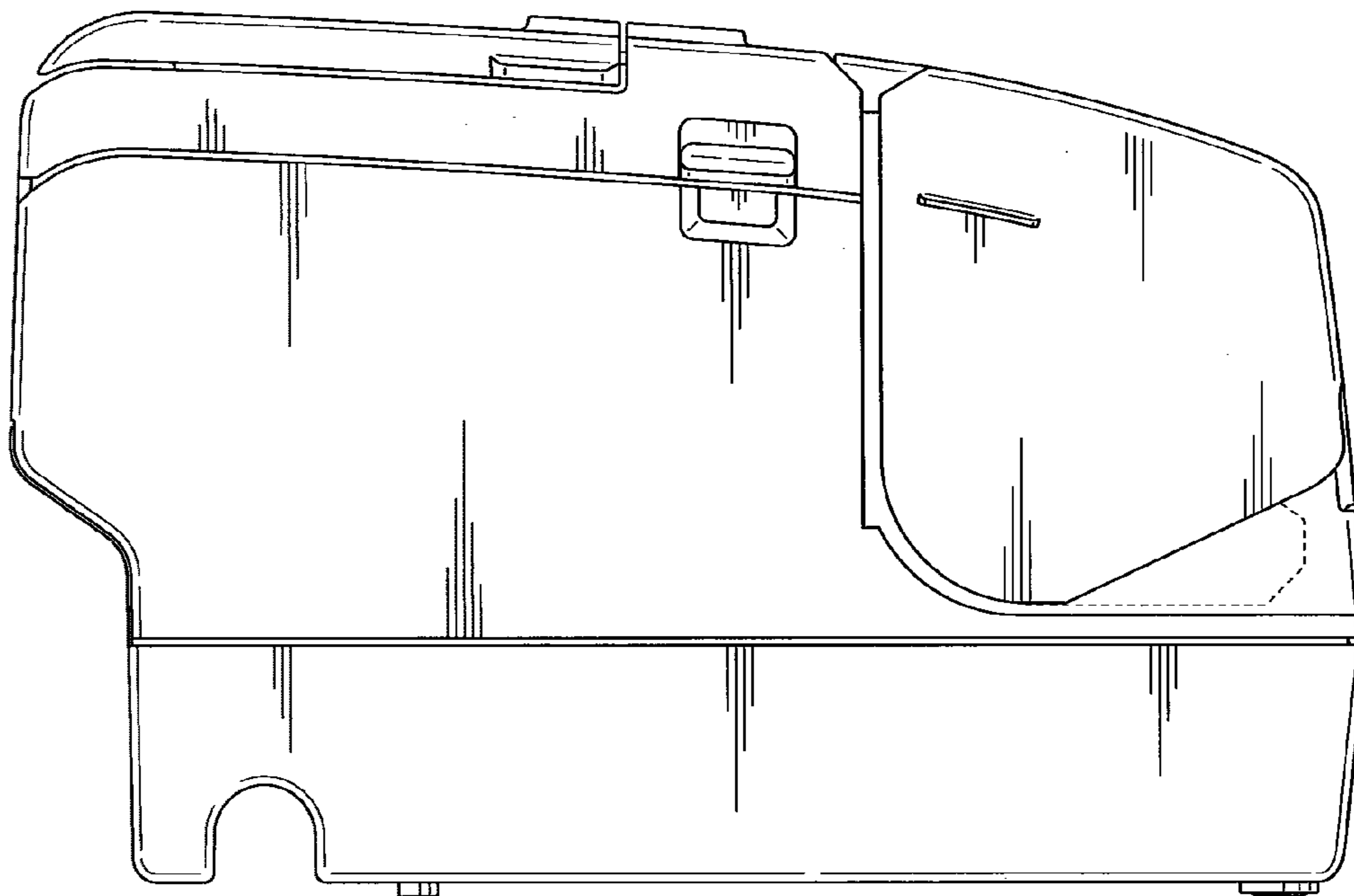


Fig. 9

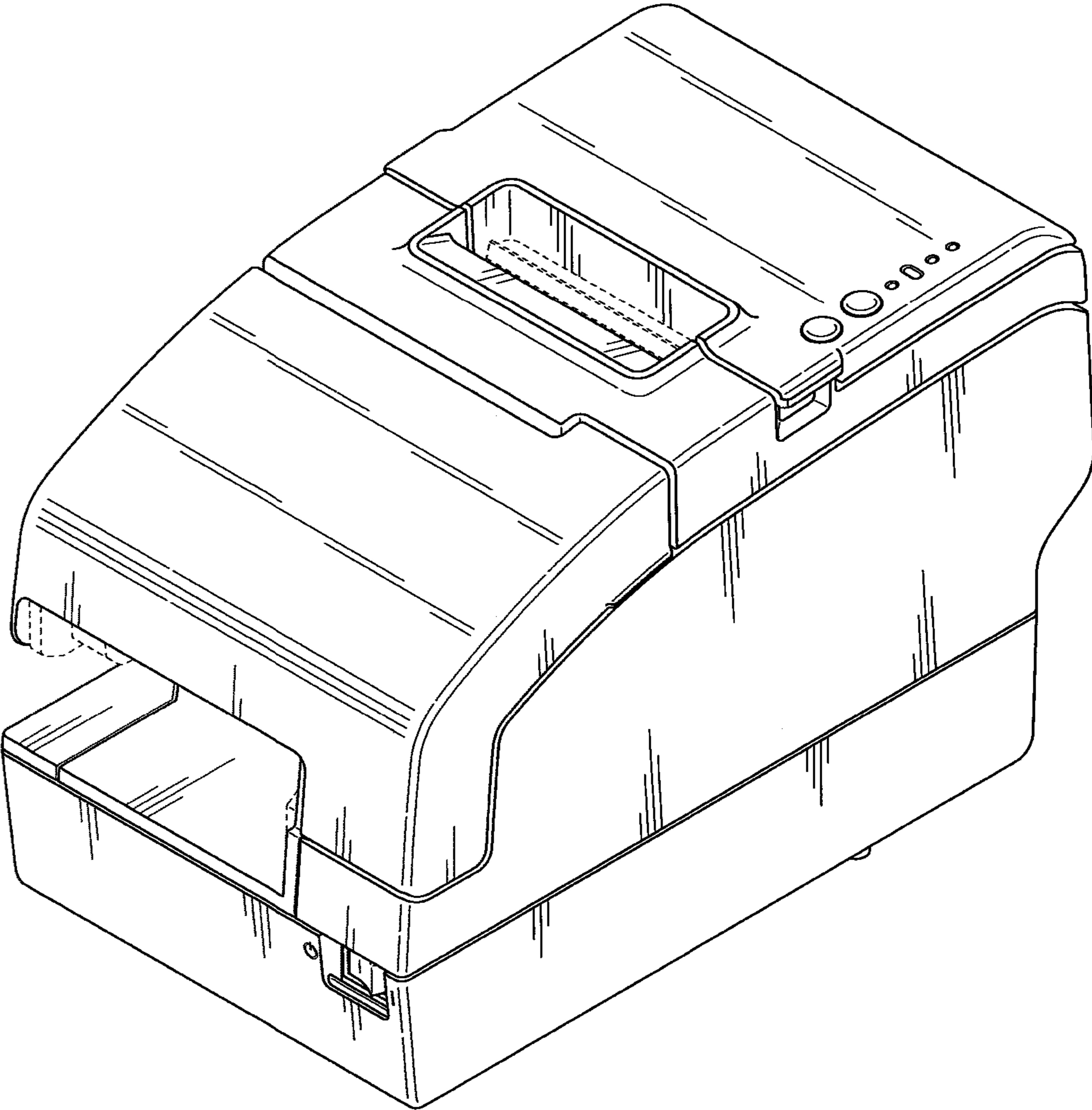




Fig. 10

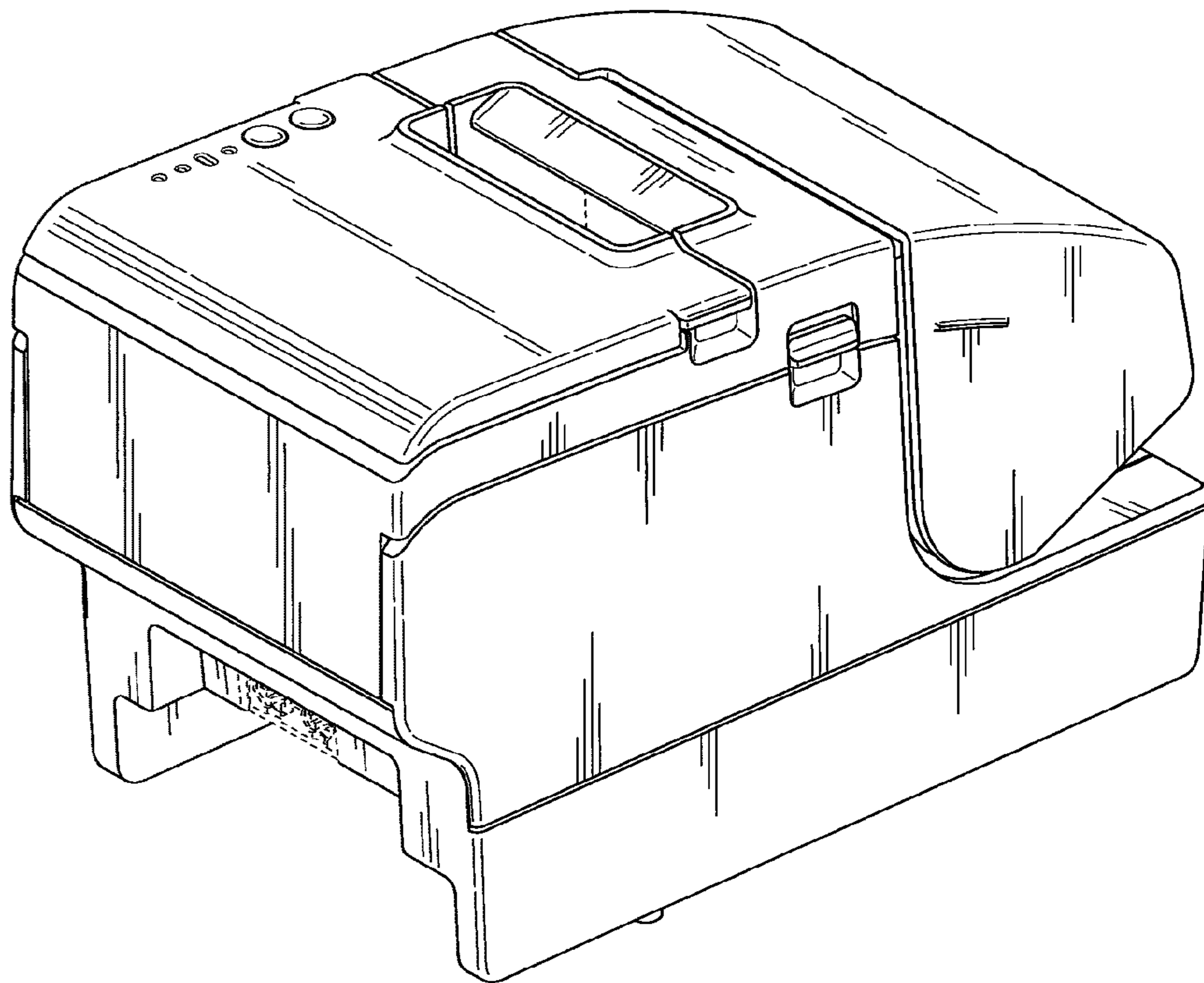


Fig. 11

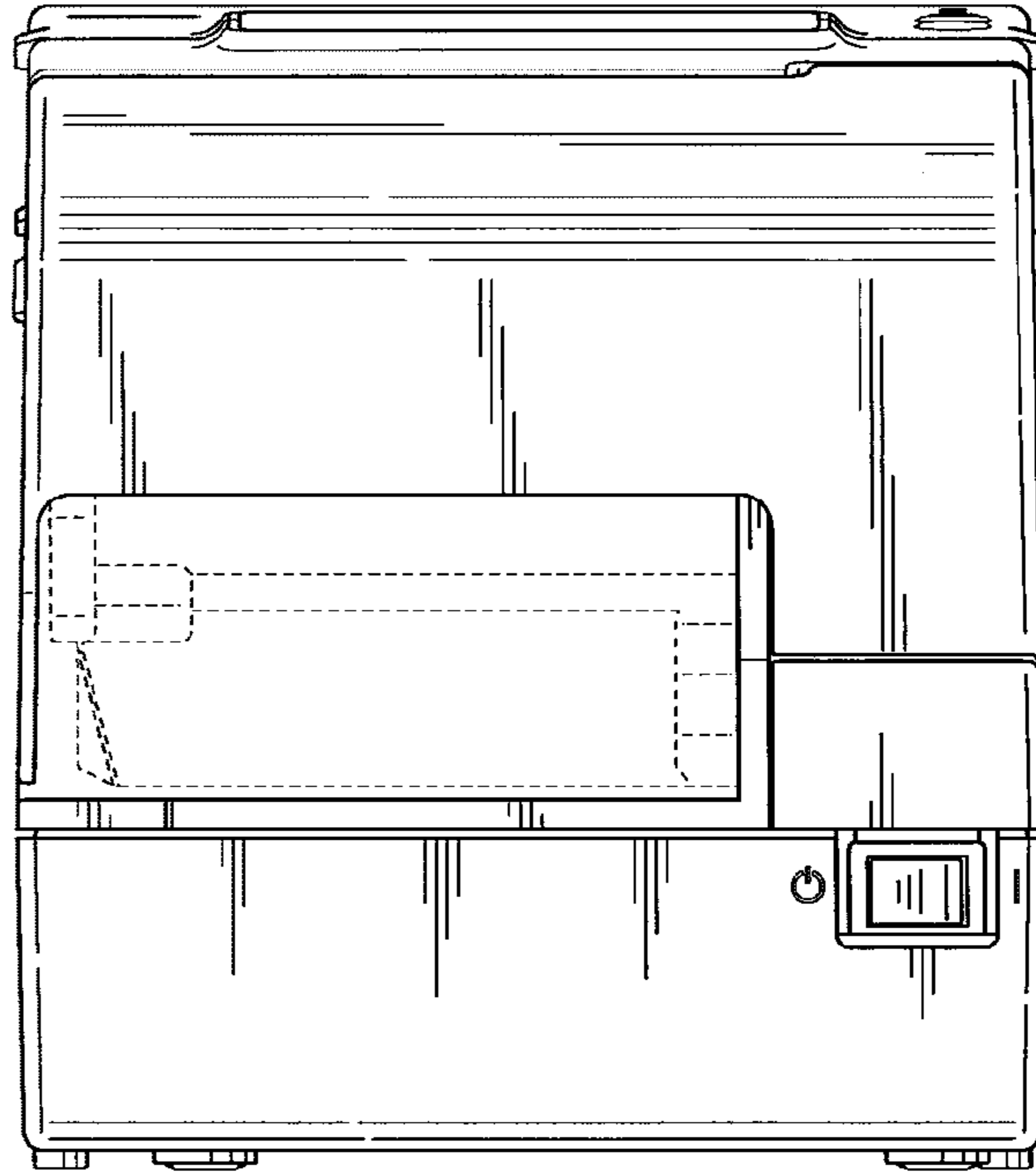


Fig. 12

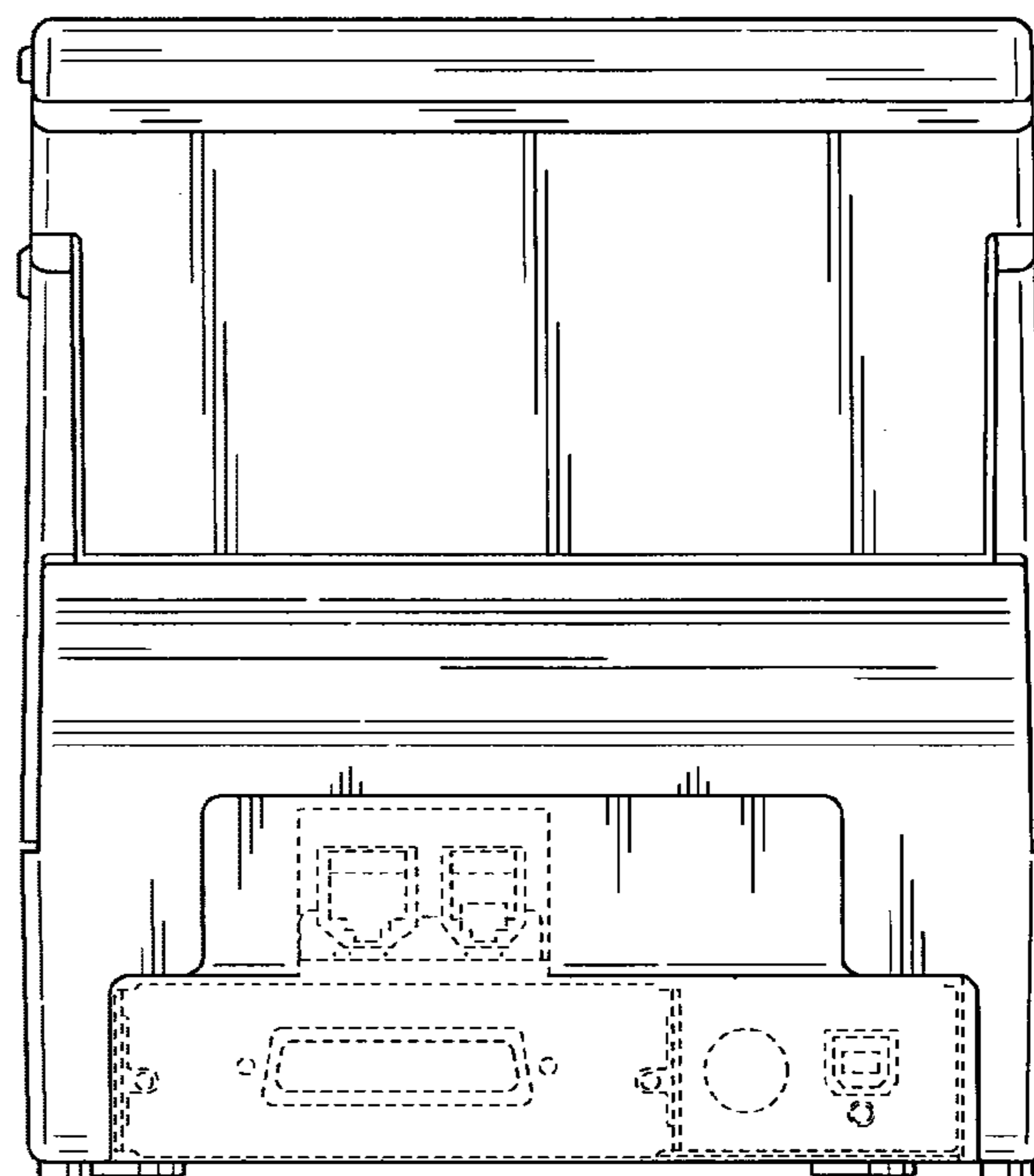


Fig. 13

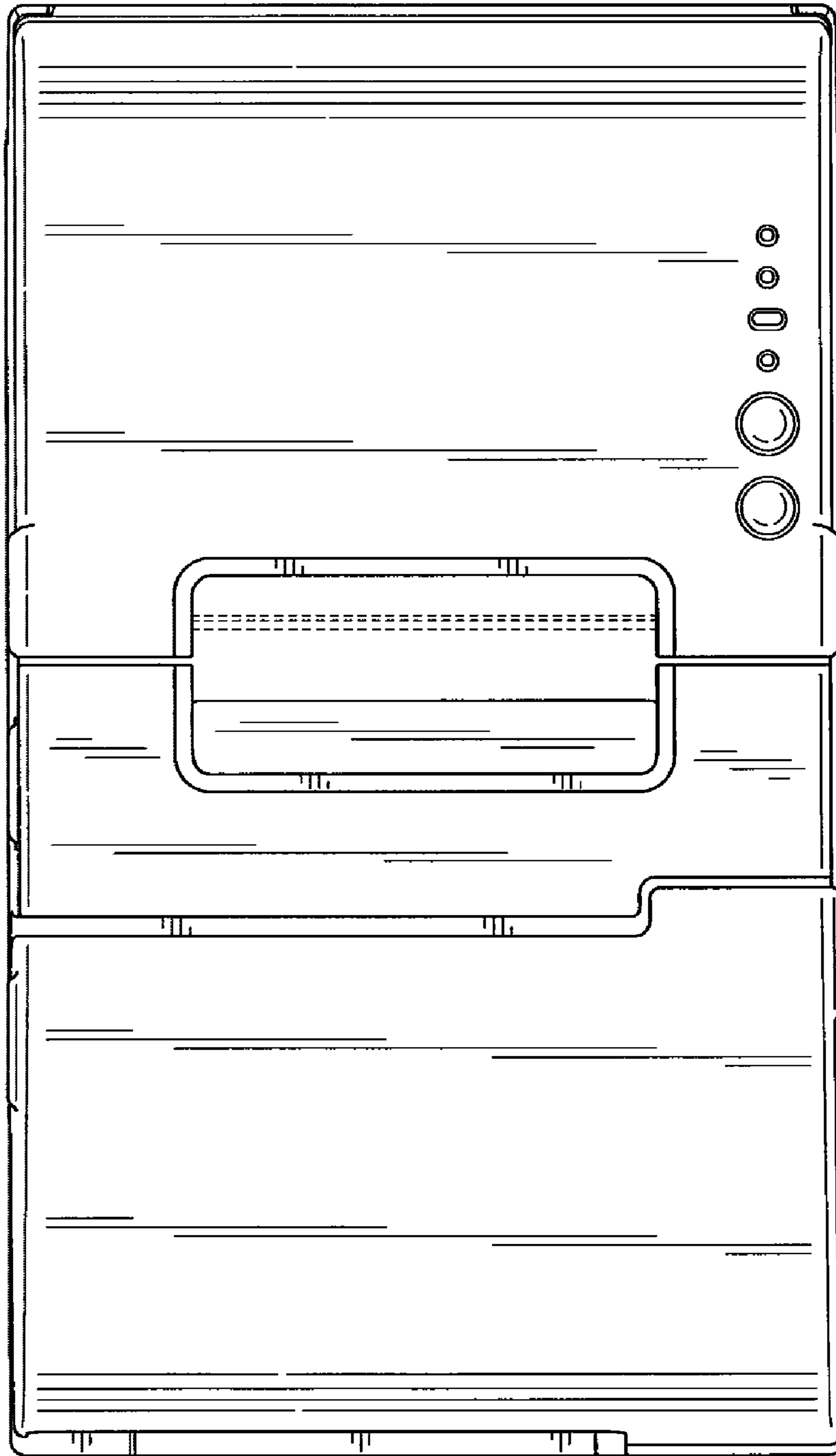


Fig. 14

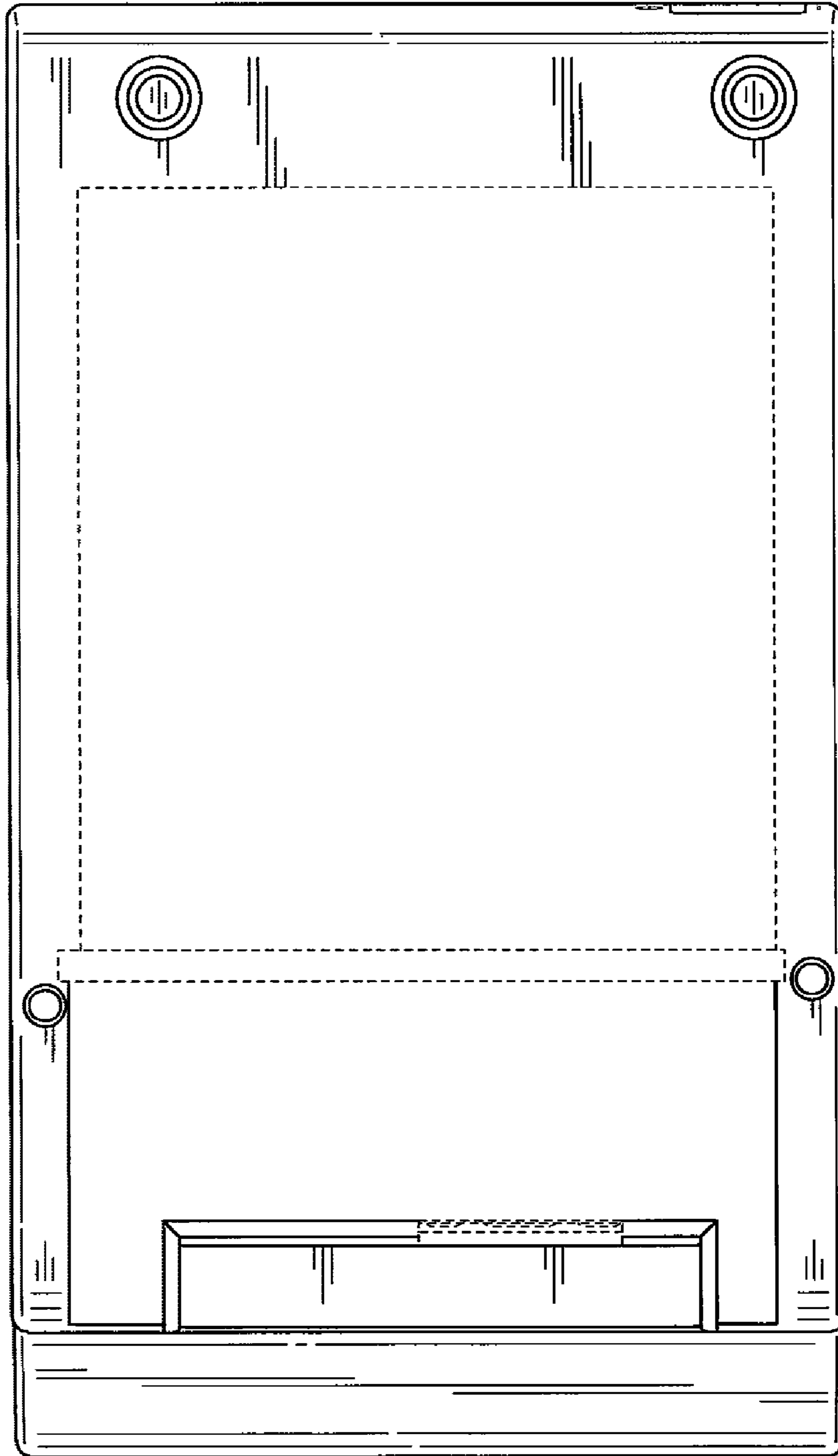


Fig. 15

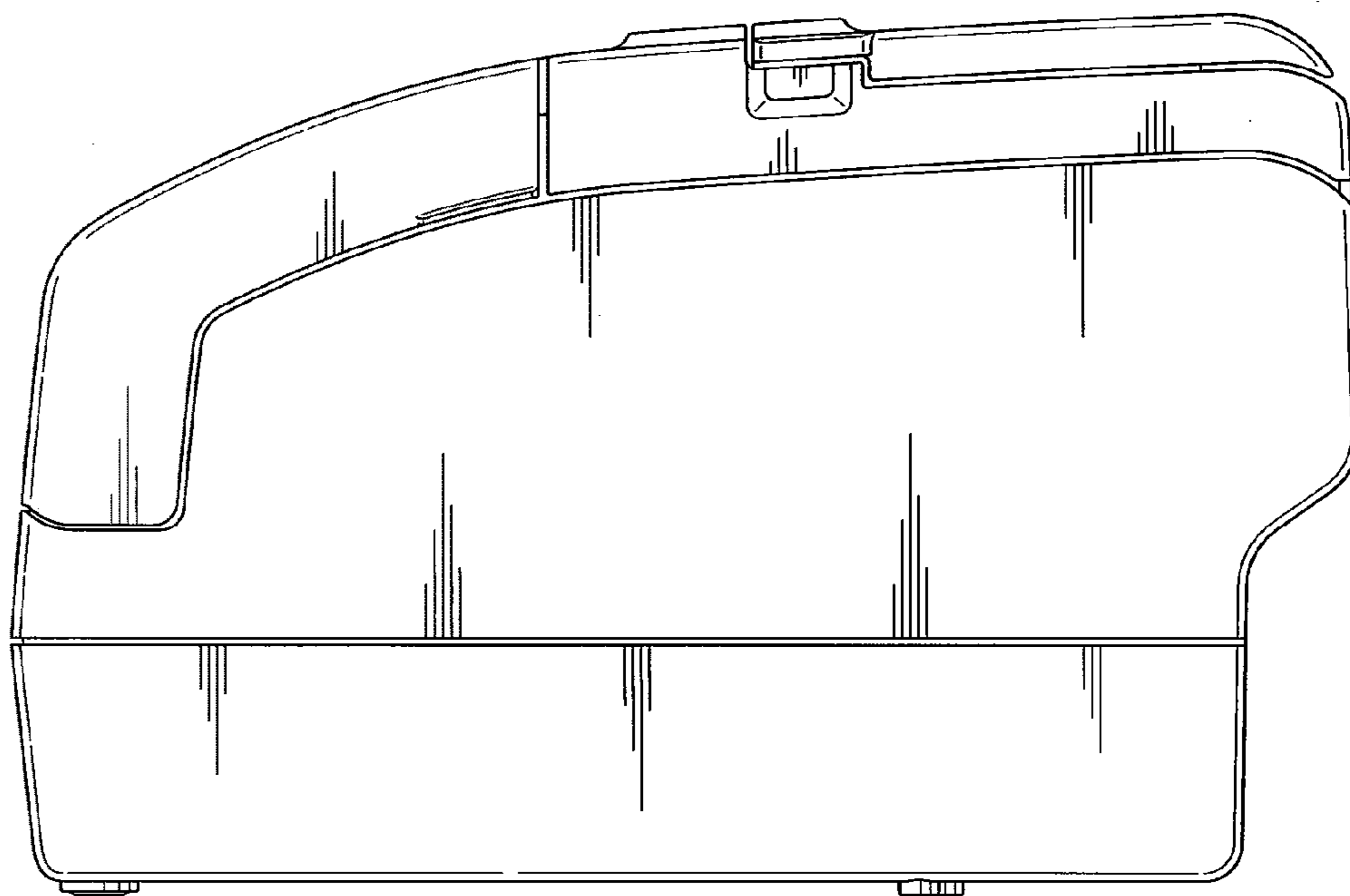


Fig. 16

