

US00D640722S

(12) **United States Design Patent**
Green et al.

(10) **Patent No.:** **US D640,722 S**
(45) **Date of Patent:** **** Jun. 28, 2011**

(54) **DIGITAL VIDEO CAMERA**

(75) Inventors: **Jason Green**, Seattle, WA (US); **Marc Barros**, Bellevue, WA (US); **David Thorpe**, Portland, OR (US); **Chunshik Kim**, Portland, OR (US); **Felix Ballerstedt**, Portland, OR (US); **David Randall Knaub**, Portland, OR (US); **Oved Valadez**, Portland, OR (US); **Peter Kettering**, Reinheim (DE)

(73) Assignee: **Contour, Inc.**, Seattle, WA (US)

(**) Term: **14 Years**

(21) Appl. No.: **29/367,294**

(22) Filed: **Aug. 5, 2010**

(51) **LOC (9) Cl.** **16-05**

(52) **U.S. Cl.** **D16/219**

(58) **Field of Classification Search** D16/200–205,
D16/208, 218, 219; 348/373–376; 358/906;
396/427, 535–541

See application file for complete search history.

(56) **References Cited**

U.S. PATENT DOCUMENTS

4,516,157	A	5/1985	Campbell	
4,525,045	A	6/1985	Fazekas	
5,218,439	A	6/1993	Mizoguchi et al.	
5,557,329	A	9/1996	Lim	
5,583,571	A	12/1996	Friedland	
D378,095	S	2/1997	Hasegawa	
D392,300	S	3/1998	Chow et al.	
D400,898	S	* 11/1998	Phillips	D16/130
5,859,666	A	1/1999	Manabe	
5,966,176	A	10/1999	Chow et al.	
6,028,627	A	2/2000	Helmsderfer	
6,091,831	A	7/2000	Cho	
D430,888	S	9/2000	Adachi et al.	
6,142,437	A	11/2000	Wilkins, Jr.	
6,377,302	B1	4/2002	Ozaki et al.	
6,421,088	B1	7/2002	Lee	
6,704,044	B1	3/2004	Foster et al.	
6,819,354	B1	11/2004	Foster et al.	

(Continued)

FOREIGN PATENT DOCUMENTS

CA 2 463 117 A1 8/2004

(Continued)

OTHER PUBLICATIONS

International Application No. PCT/US2008/71661, filed Jul. 30, 2008.

(Continued)

Primary Examiner — Adir Aronovich

(74) *Attorney, Agent, or Firm* — Stoel Rives LLP

(57) **CLAIM**

We claim the ornamental design for a digital video camera, as shown and described.

DESCRIPTION

This application claims benefit U.S. Design application Ser. No. 29/355,173, filed Feb. 3, 2010, now U.S. patent. No. D621,435, U.S. Design application Ser. No. 29/356,376, filed Feb. 24, 2010, and U.S. patent application Ser. No. 12/671,442, filed May 14, 2010, all of which claim benefit of U.S. Design application Ser. No. 29/322,219, filed Jul. 30, 2008, now U.S. Pat. No. D616,006.

FIG. 1 is a top, front, and left side perspective view of a digital video camera;

FIG. 2 is a front elevation view thereof;

FIG. 3 is a top, rear, and left side perspective view thereof;

FIG. 4 is a left side elevation view thereof;

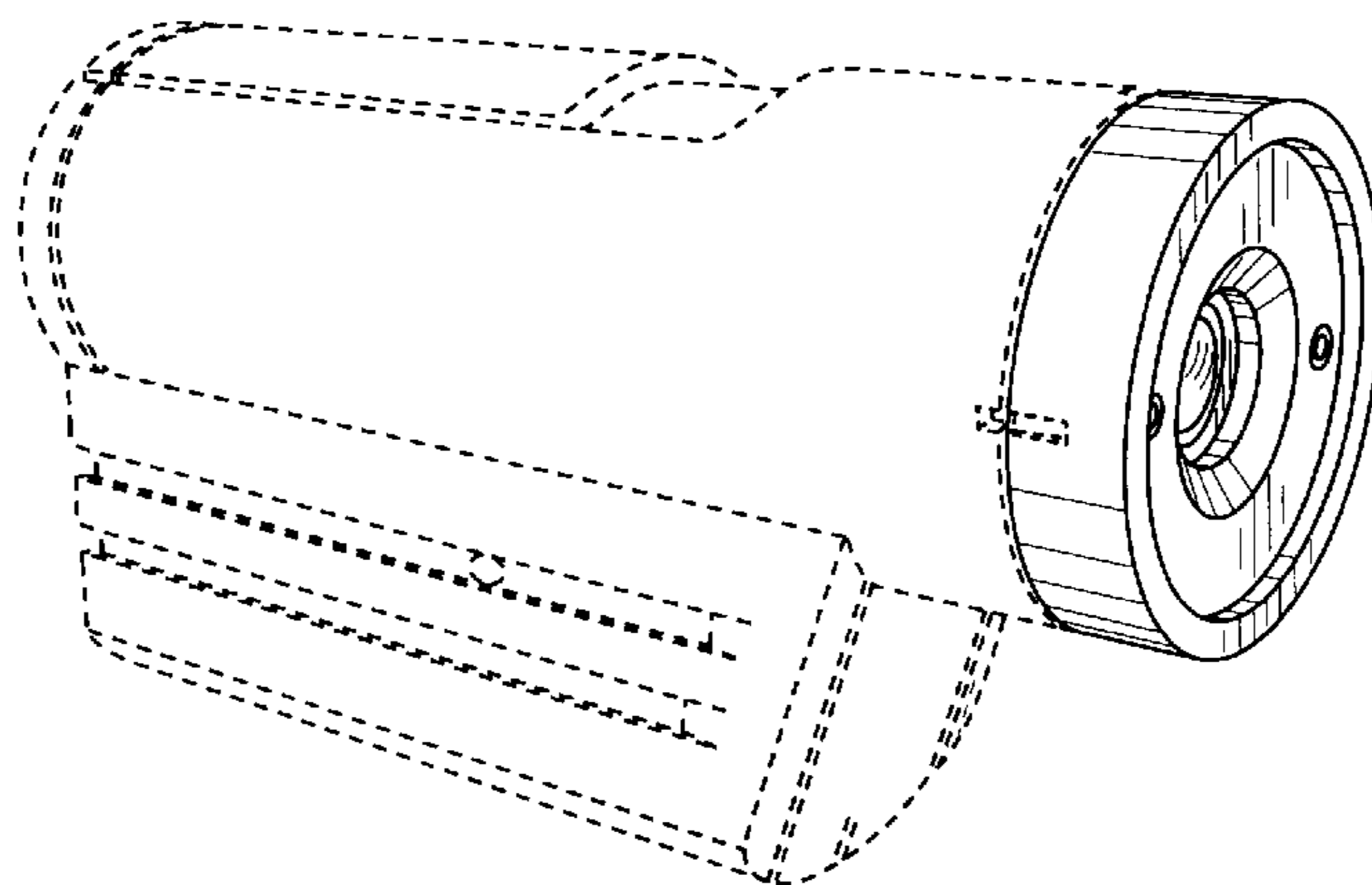
FIG. 5 is a top plan view thereof;

FIG. 6 is a rear elevation view thereof; and,

FIG. 7 is a top, front, and left side perspective view thereof, with a lens in an alternative position and with a different environmental structure.

The broken line portions in FIGS. 1-7 are shown to illustrate environment only and form no part of the claimed design.

1 Claim, 3 Drawing Sheets



US D640,722 S

Page 2

U.S. PATENT DOCUMENTS

D500,511 S * 1/2005 Sybilrud D16/203
D506,489 S 6/2005 Owada
D510,374 S 10/2005 Greenwood et al.
D510,589 S * 10/2005 Andre et al. D16/202
7,006,144 B2 2/2006 Holmberg
D547,346 S 7/2007 Ollila
D558,805 S 1/2008 Sadatsuki
7,436,445 B2 * 10/2008 Hojo et al. 348/373
7,440,025 B2 * 10/2008 Cheng 396/427
7,450,175 B2 * 11/2008 Yoon et al. 348/375
D581,959 S 12/2008 Chan
D589,995 S * 4/2009 Kellar et al. D16/203
7,522,834 B2 4/2009 Heaven et al.
D592,231 S 5/2009 Schnell
D624,577 S * 9/2010 Kujawski et al. D16/203
2002/0067920 A1 6/2002 Weng et al.
2004/0004825 A1 1/2004 Malard et al.
2005/0200750 A1 9/2005 Ollila
2006/0055786 A1 3/2006 Ollila
2006/0274171 A1 12/2006 Wang
2007/0111754 A1 5/2007 Marshall et al.
2010/0066899 A1 3/2010 Holmberg
2010/0128166 A1 5/2010 Holmberg

FOREIGN PATENT DOCUMENTS

DE 198 31 819 C1 7/1998
DE 20 2004 001 608 U1 6/2004
EP 0980181 2/2000
EP 1 944 965 A1 7/2008

JP 61-118076 6/1986
JP 08-223524 8/1996
WO WO 94/26061 11/1994
WO WO 2007/077759 A1 7/2007

OTHER PUBLICATIONS

Nov. 2, 2009 world wide web ("http://www.helmkameras24.de/Oregon-Scientific-ATC-9000_c25_...") 2-page printout concerning new item Oregon Scientific ATC 9000.

Nov. 2, 2009 world wide web ("<http://www.actioncameras.co.uk/X170>") 4-page printout concerning X170 Action Camera and its mounts.

Austrian Patent Office, Search and Opinion on Legal Validity, Aug. 3, 2010 (German language version and English translation).

Supplemental Search Report from the European Patent Office concerning related European Patent Application No. 08782542.8.

English language machine translation of JP 08-223524.

Drawing of subject matter of a photograph of a Midlandradio goggle mount for a camera. The photograph was taken at the CES Trade Show, Jan. 2010.

Drawing of subject matter of a photograph of a Midlandradio goggle mount for a camera with a plug mount inserted into the goggle mount and with a camera showing in the foreground. The photograph was taken at the CES Trade Show, Jan. 2010.

Drawing of subject matter from a print out from an Internet website: https://www.midlandradio.com/Resource_/Product/1390/Detail/LargeImage/Goggle%20Mou..., Oct. 18, 2010.

* cited by examiner

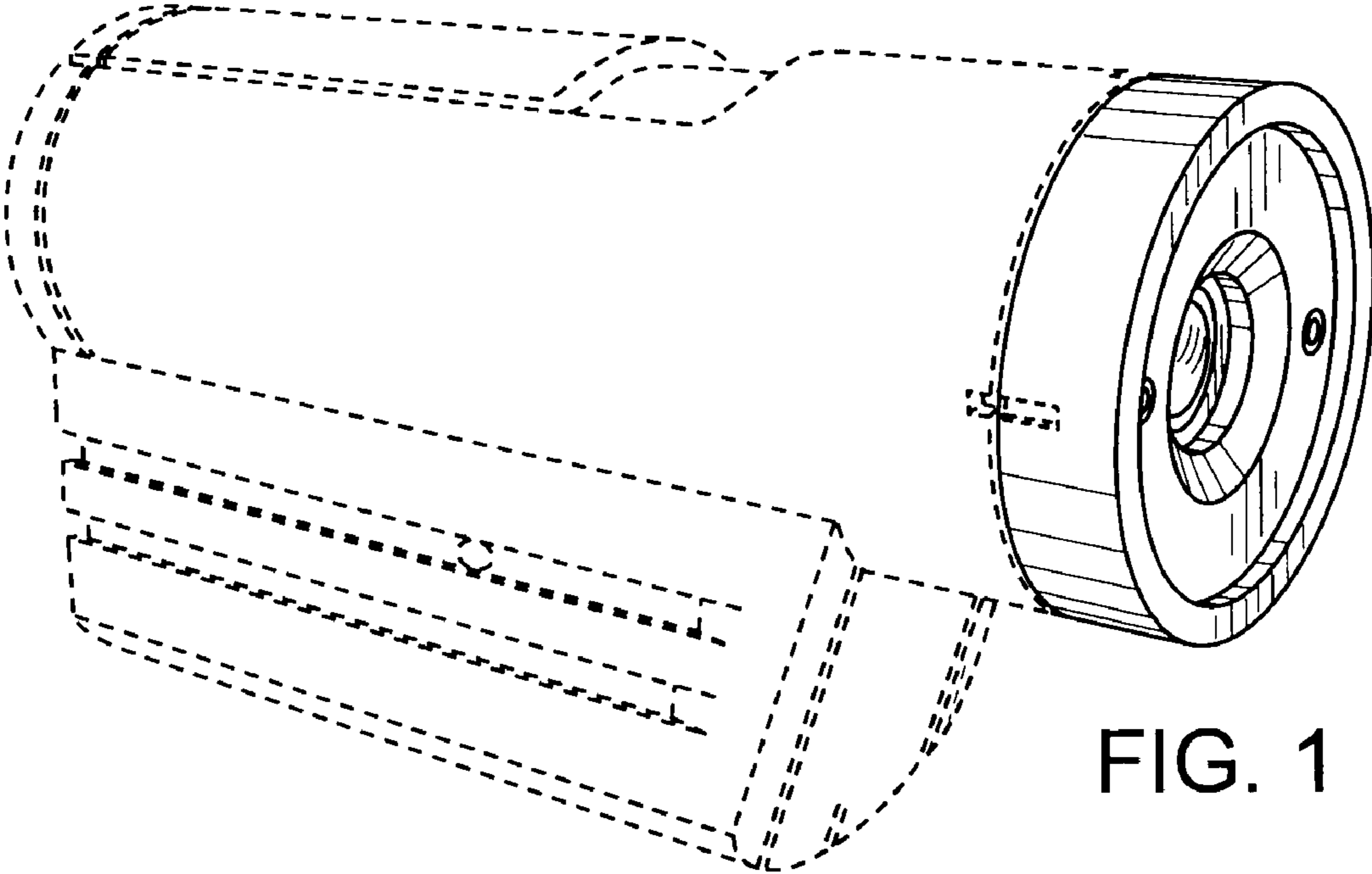


FIG. 1

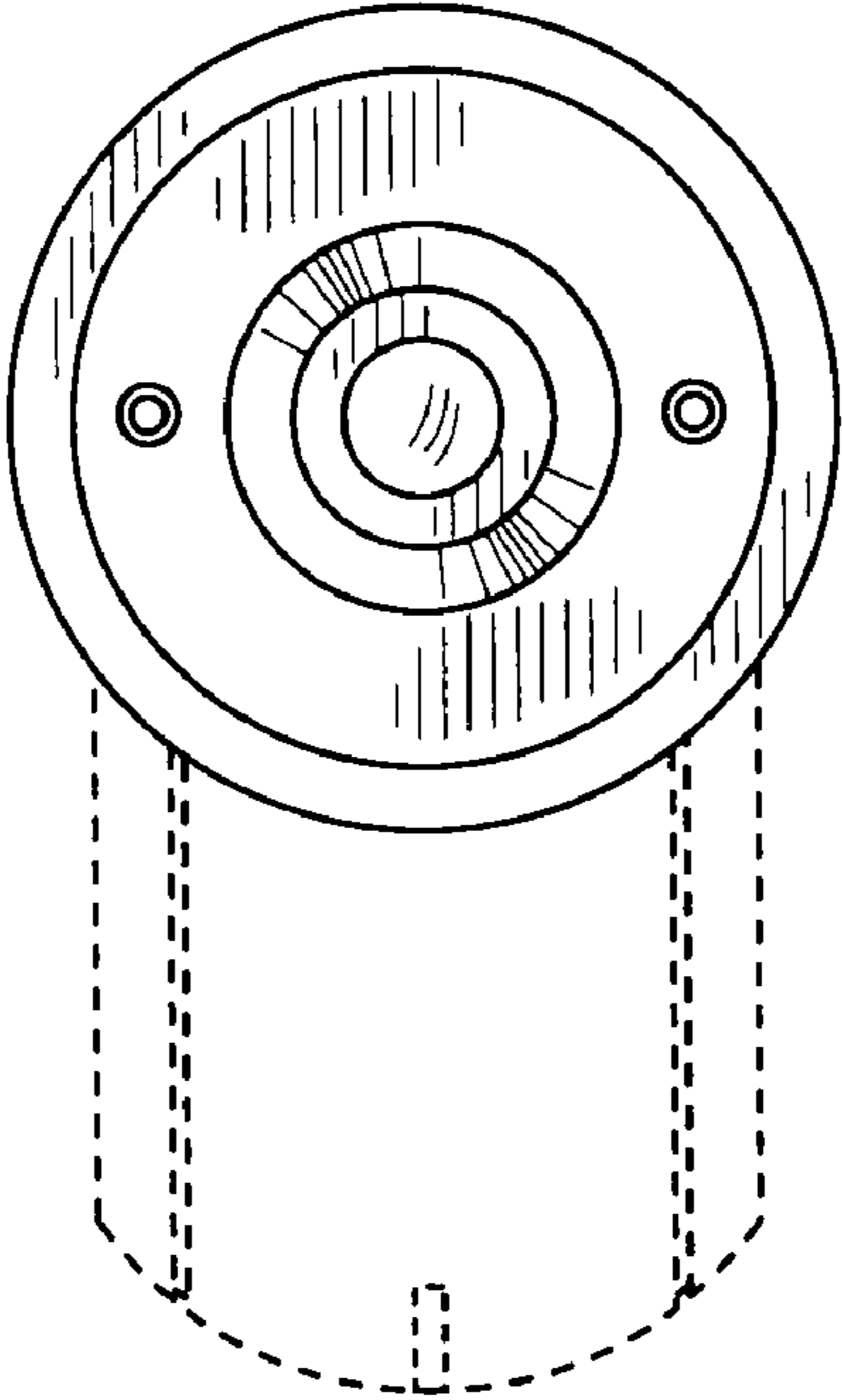
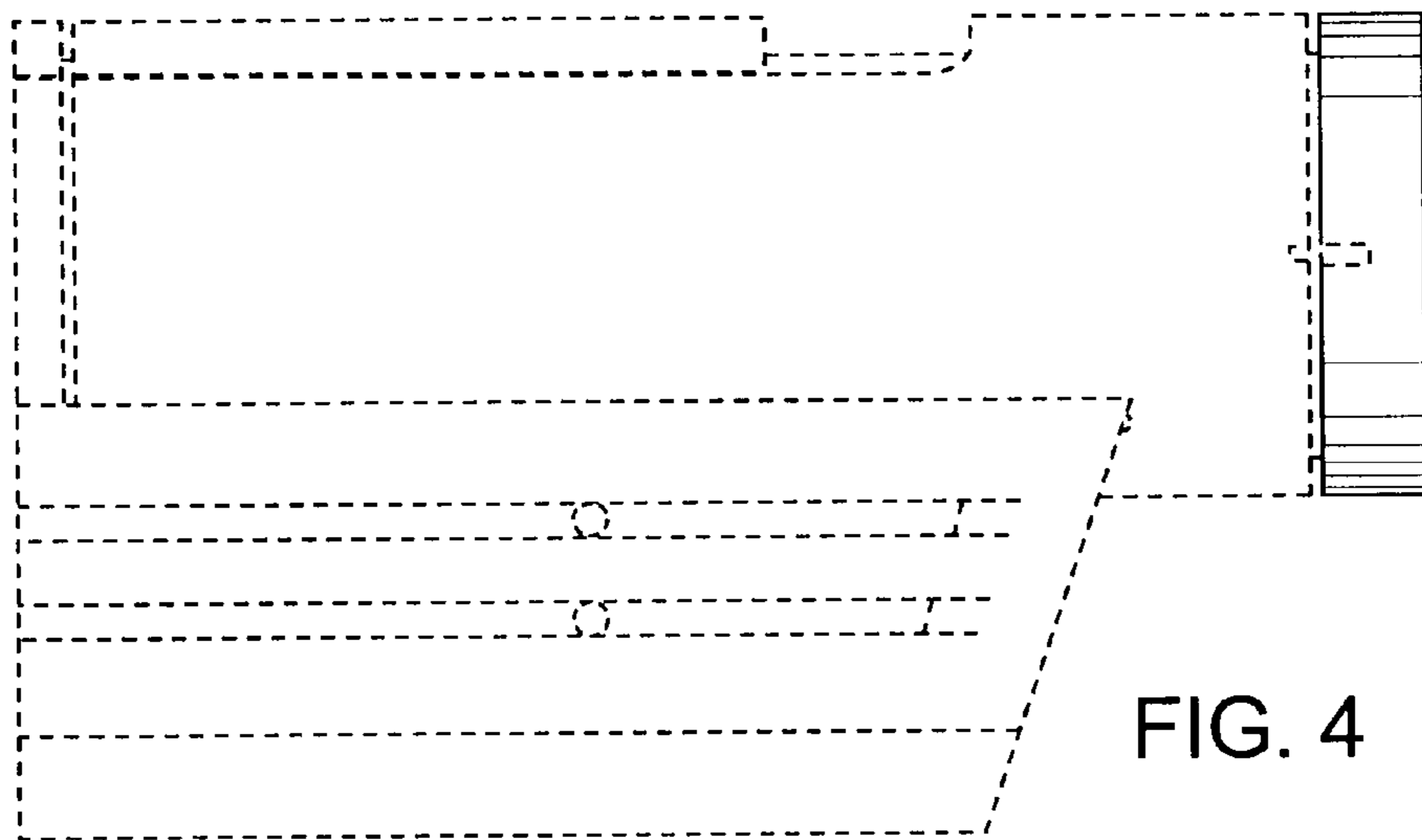
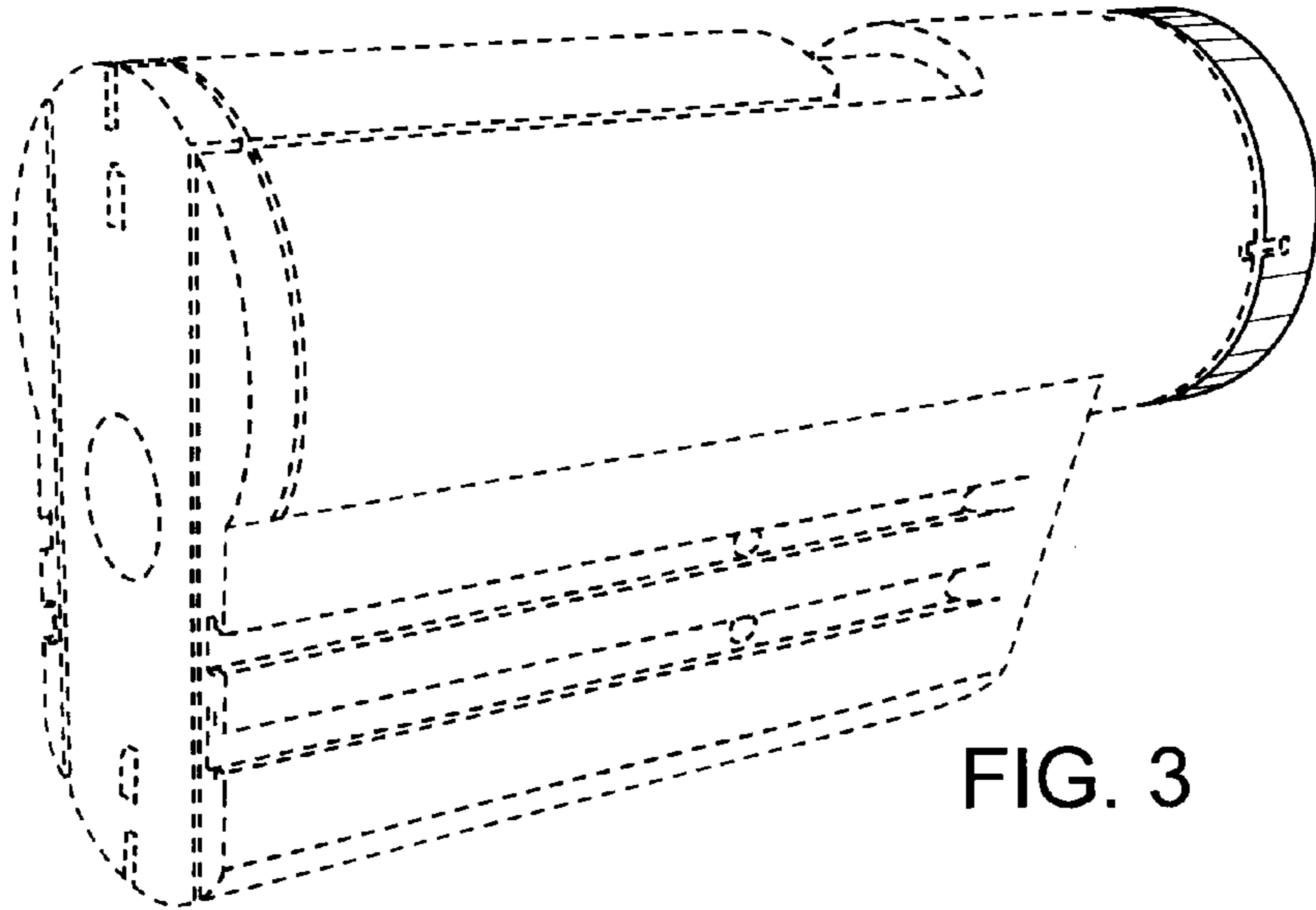


FIG. 2



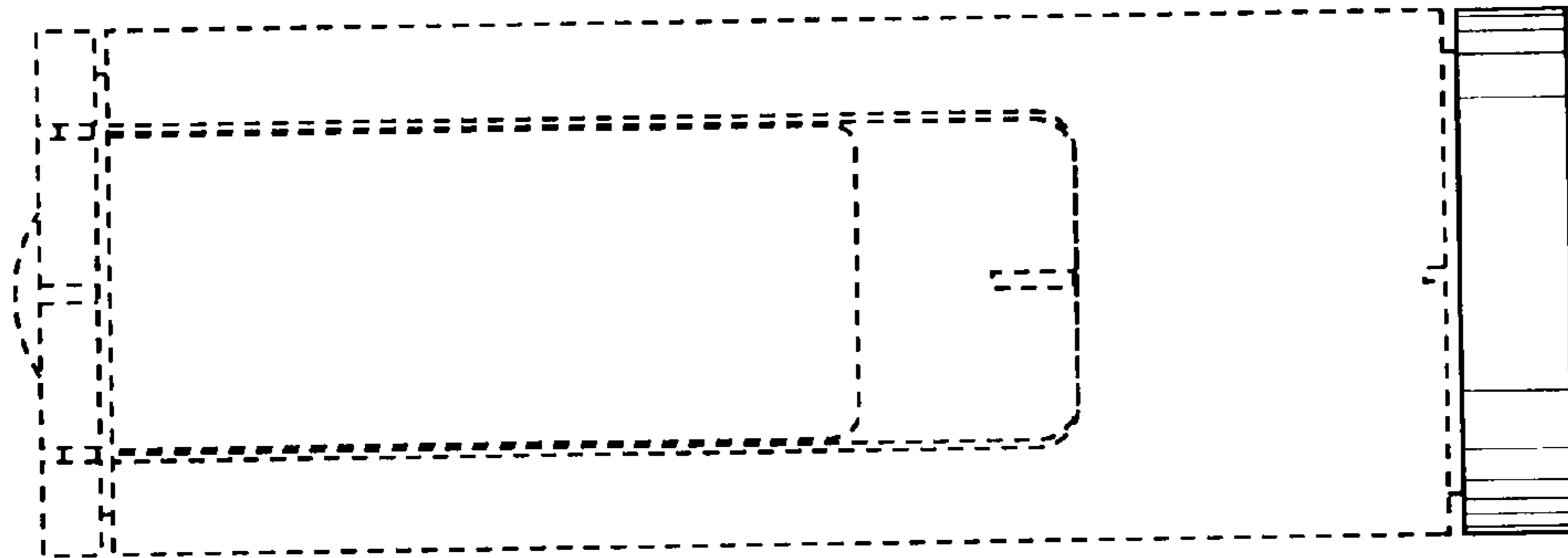


FIG. 5

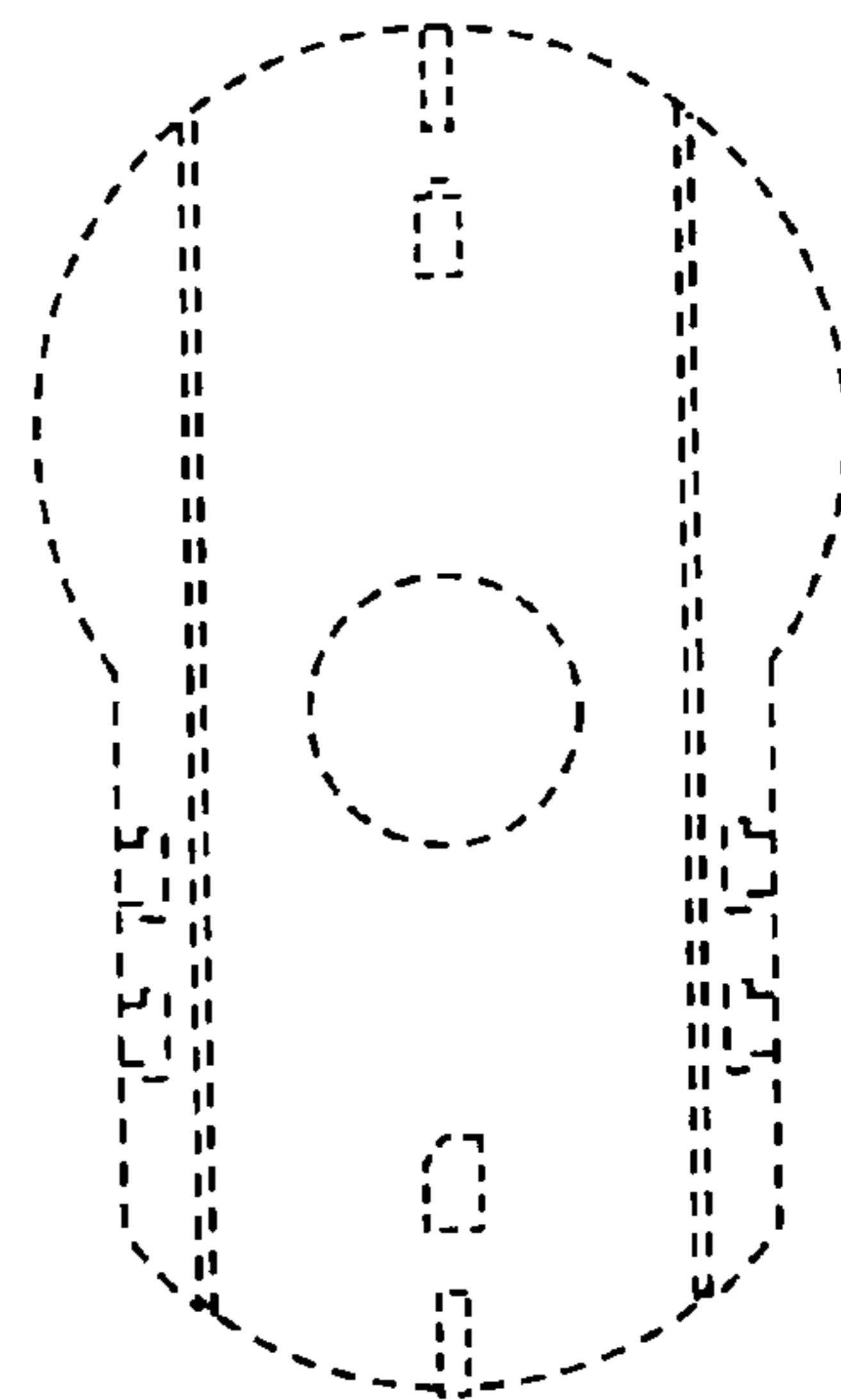


FIG. 6

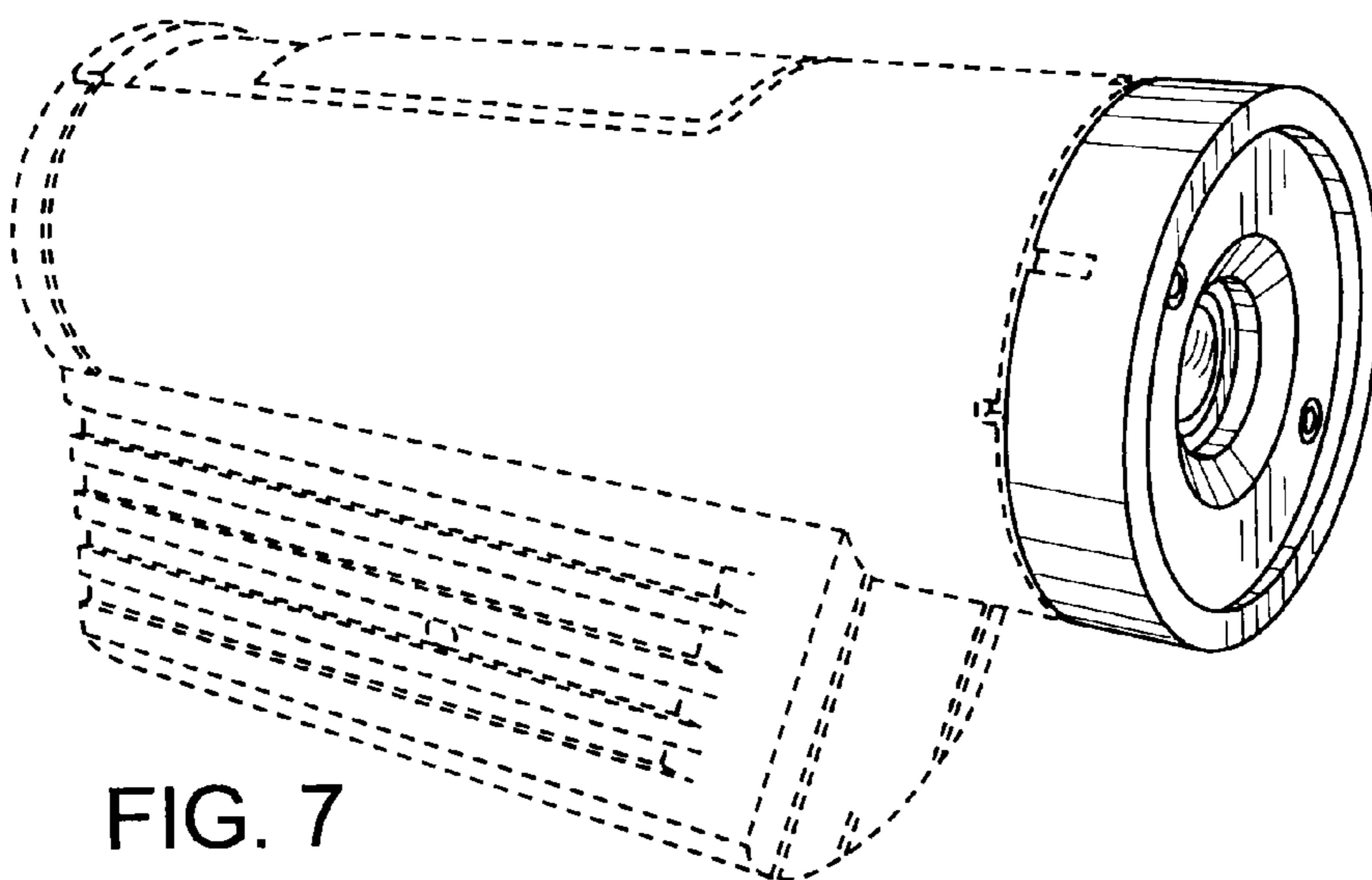


FIG. 7

UNITED STATES PATENT AND TRADEMARK OFFICE
CERTIFICATE OF CORRECTION

PATENT NO. : D640,722 S
APPLICATION NO. : 29/367294
DATED : June 28, 2011
INVENTOR(S) : Jason Green et al.

Page 1 of 1

It is certified that error appears in the above-identified patent and that said Letters Patent is hereby corrected as shown below:

Title Page, add item (63), Related U.S. Application Data: Continuation of application No. 29/356,376, filed on Feb. 24, 2010, now Pat. No. Des. 640,304, which is a continuation of application No. 29/322,219, filed on Jul. 30, 2008, now Pat. No. Des. 616,006. Continuation of application No. 29/355,173, filed on Feb. 3, 2010, now Pat. No. Des. 621,435, which is a continuation of application No. 29/322,219, filed on Jul. 30, 2008, now Pat. No. Des. 616,006.

Title Page, (Description) at paragraph 1, Change "This application claims benefit U.S. Design application Ser. No. 29/355,173, filed Feb. 3, 2010, now U.S. patent. No. D621,435, U.S. Design application Ser. No. 29/356,376, filed Feb. 24, 2010, and U.S. patent application Ser. No. 12/671,442, filed May 14, 2010, all of which claim benefit of U.S. Design application Ser. No. 29/322,219, filed Jul. 30, 2008, now U.S. Pat. No. D616,006." to --This application is a continuation of Application No. 29/356,376, filed on Feb. 24, 2010, now U.S. Pat. No. Des. 640,304, which is a continuation of Application No. 29/322,219, filed on Jul. 30, 2008, now U.S. Pat. No. Des. 616,006. This application is also a continuation of Application No. 29/355,173, filed on Feb. 3, 2010, now U.S. Pat. No. Des. 621,435, which is a continuation of Application No. 29/322,219, filed on Jul. 30, 2008, now U.S. Pat. No. Des. 616,006.--

Signed and Sealed this
Eighteenth Day of November, 2014



Michelle K. Lee
Deputy Director of the United States Patent and Trademark Office