



US00D640721S

(12) **United States Design Patent**
Satine

(10) **Patent No.:** **US D640,721 S**

(45) **Date of Patent:** **** Jun. 28, 2011**

(54) **CANNON-SHAPED, LOW-LIGHT VIDEO CAMERA FOR MARINE USE**

7,480,455 B2 * 1/2009 Lin 396/427
7,751,697 B2 * 7/2010 Gourova 396/27
7,777,810 B2 * 8/2010 Kung et al. 348/374

(76) Inventor: **Scott Satine**, Flower Mound, TX (US)

FOREIGN PATENT DOCUMENTS

(**) Term: **14 Years**

JP D1204191 * 5/2004

* cited by examiner

(21) Appl. No.: **29/370,595**

Primary Examiner — Adir Aronovich

(22) Filed: **Aug. 9, 2010**

(74) *Attorney, Agent, or Firm* — David G. Moore

(51) **LOC (9) Cl.** **16-01**

(57) **CLAIM**

(52) **U.S. Cl.** **D16/204; D16/202**

The ornamental design for a cannon-shaped, low-light video camera for marine use, as shown.

(58) **Field of Classification Search** D16/200–205,
D16/218; 348/81, 373–376; 396/25–29,
396/427, 535, 540, 541

DESCRIPTION

See application file for complete search history.

FIG. 1 is a top, front and left side perspective view of a cannon-shaped, low-light video camera for marine use showing my new design;

(56) **References Cited**

U.S. PATENT DOCUMENTS

D187,165 S * 2/1960 Sampson D16/204
D418,152 S * 12/1999 McBride D16/204
6,304,289 B1 * 10/2001 Sakai et al. 348/81
D454,902 S * 3/2002 Hsu et al. D16/218
D528,576 S * 9/2006 Chung et al. D16/202
D532,809 S * 11/2006 Shih D16/218

FIG. 2 is a front elevational view thereof;

FIG. 3 is a rear elevational view thereof;

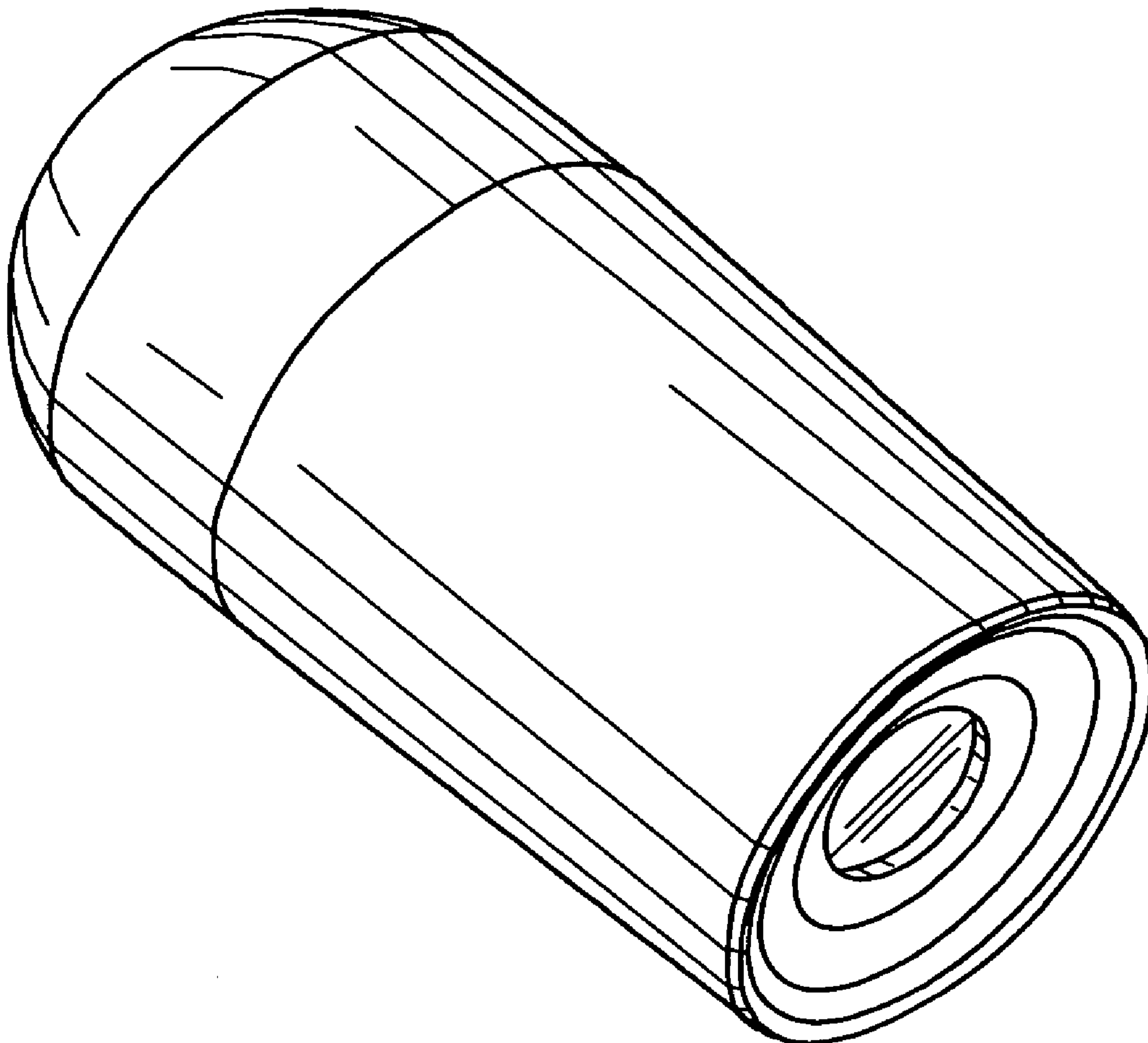
FIG. 4 is a top plan view thereof;

FIG. 5 is a top plan view thereof;

FIG. 6 is left side elevational view thereof; and,

FIG. 7 is right side elevational view thereof.

1 Claim, 3 Drawing Sheets



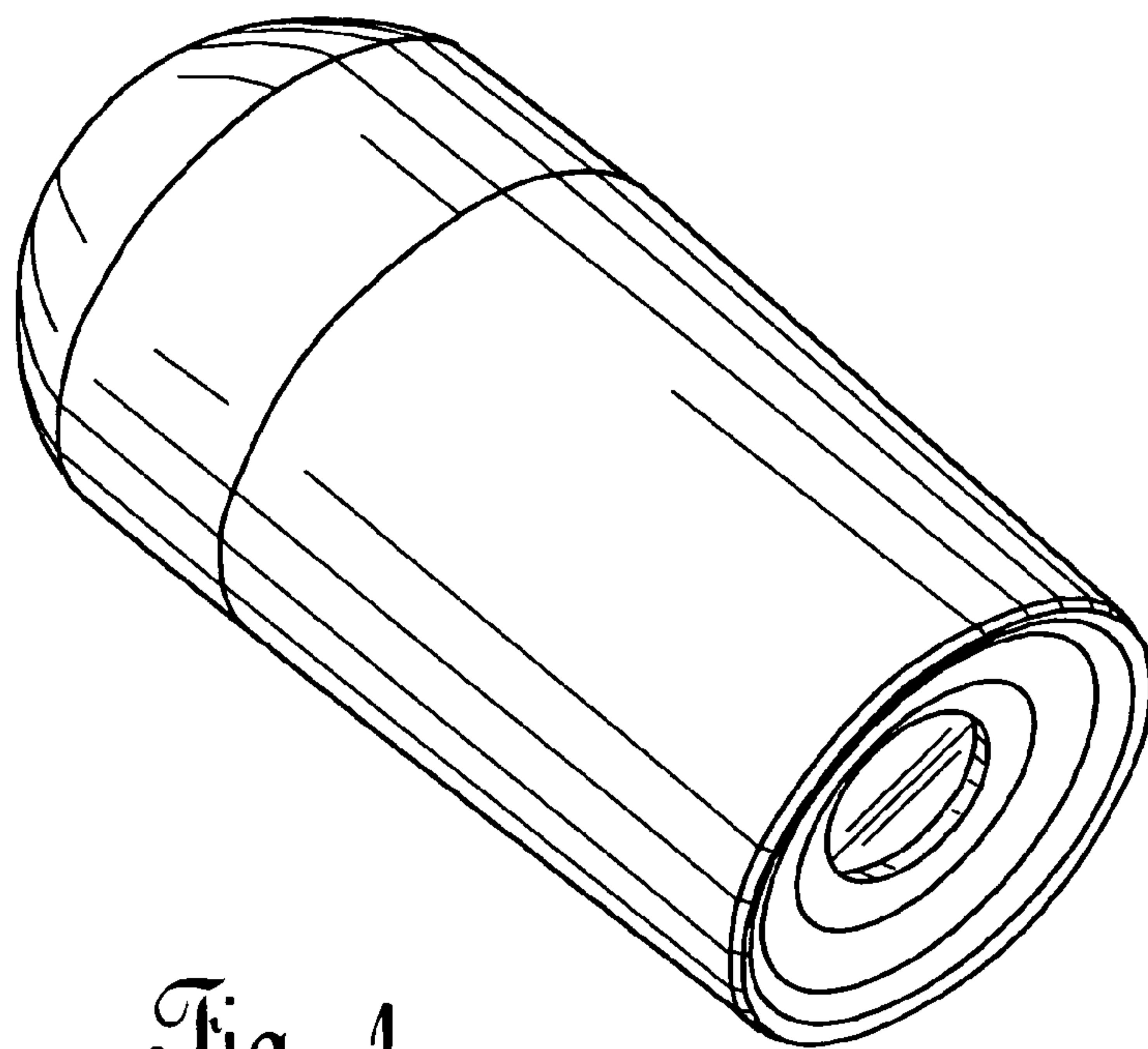


Fig. 1

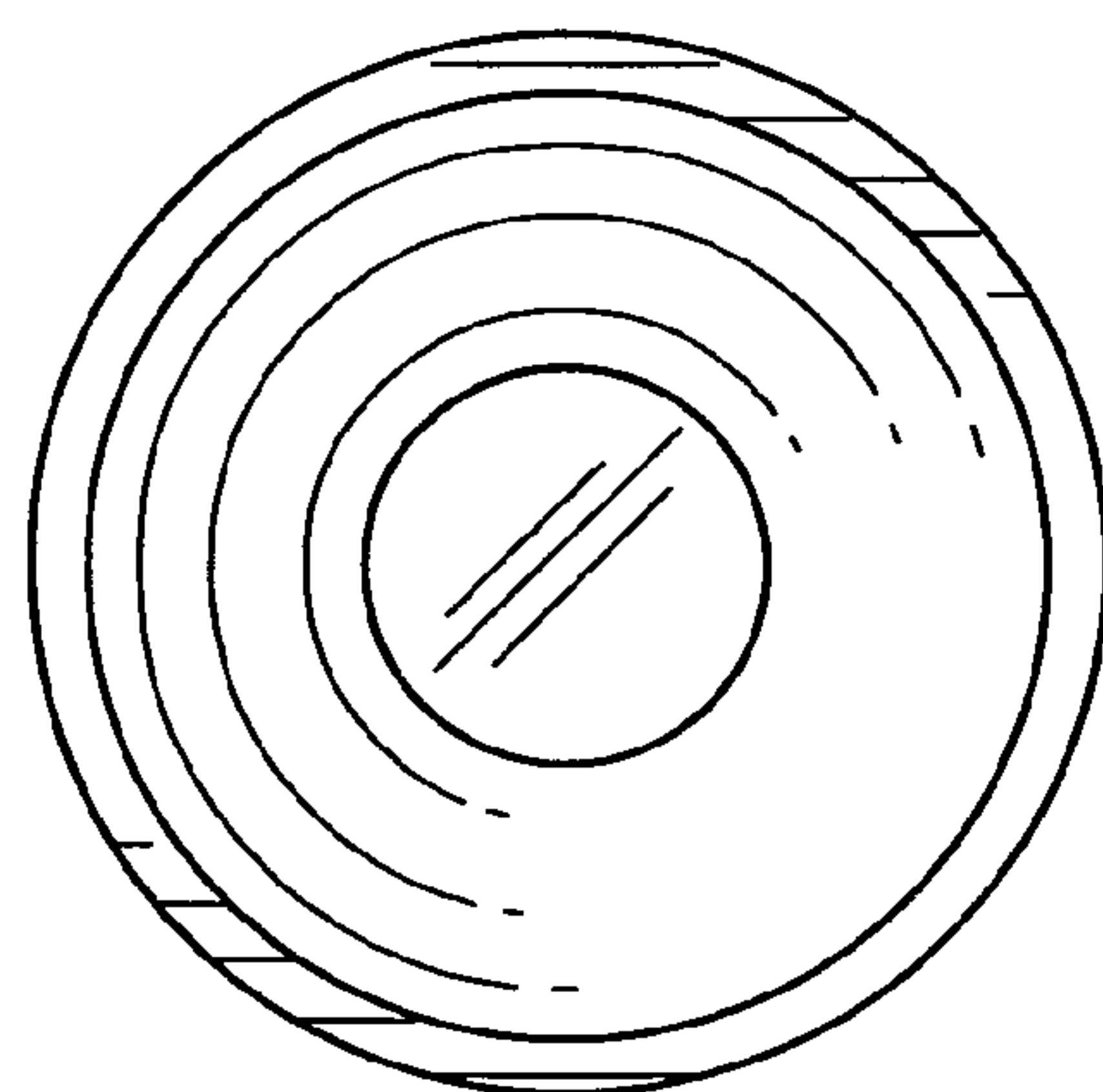


Fig. 2

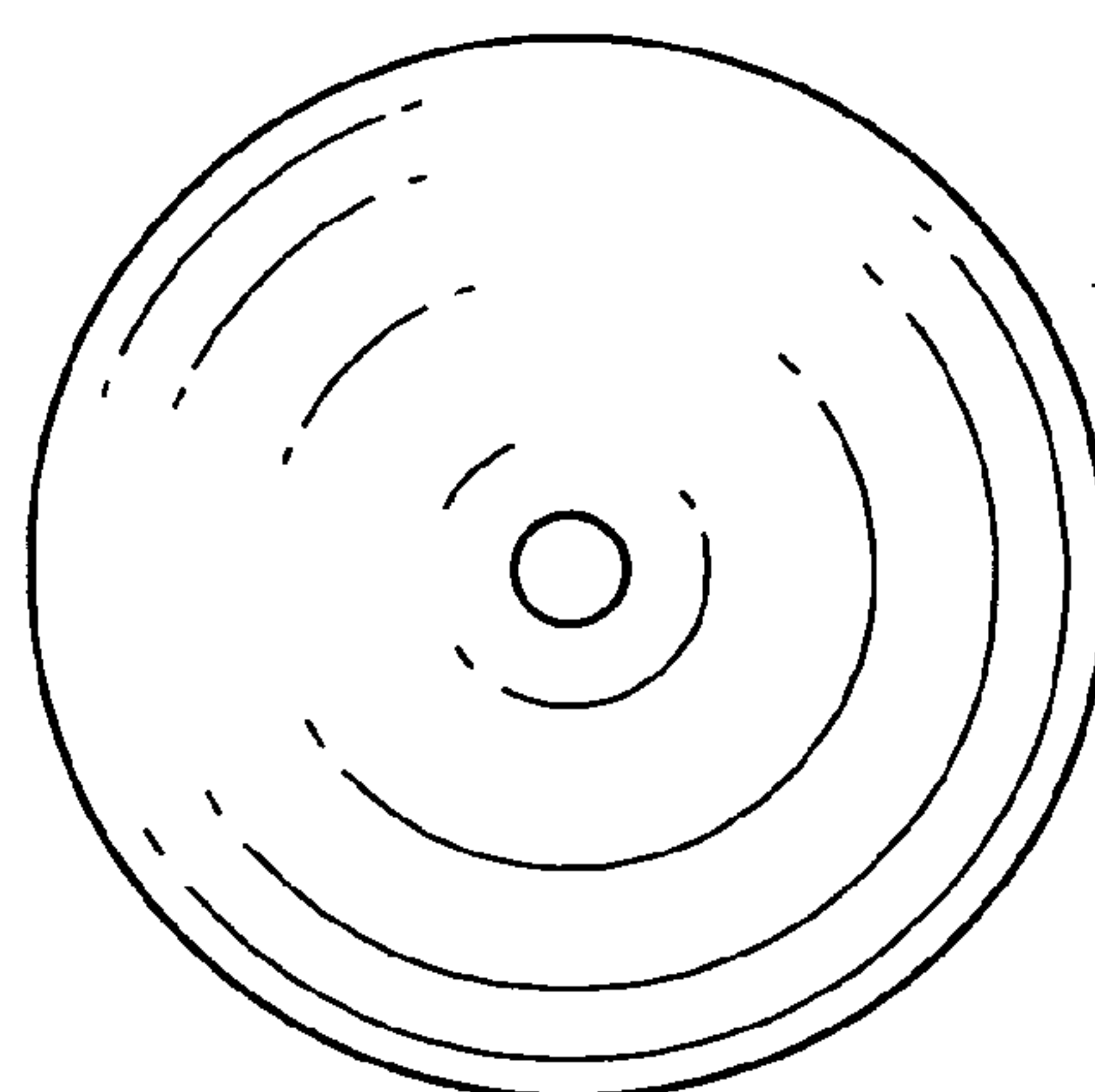


Fig. 3

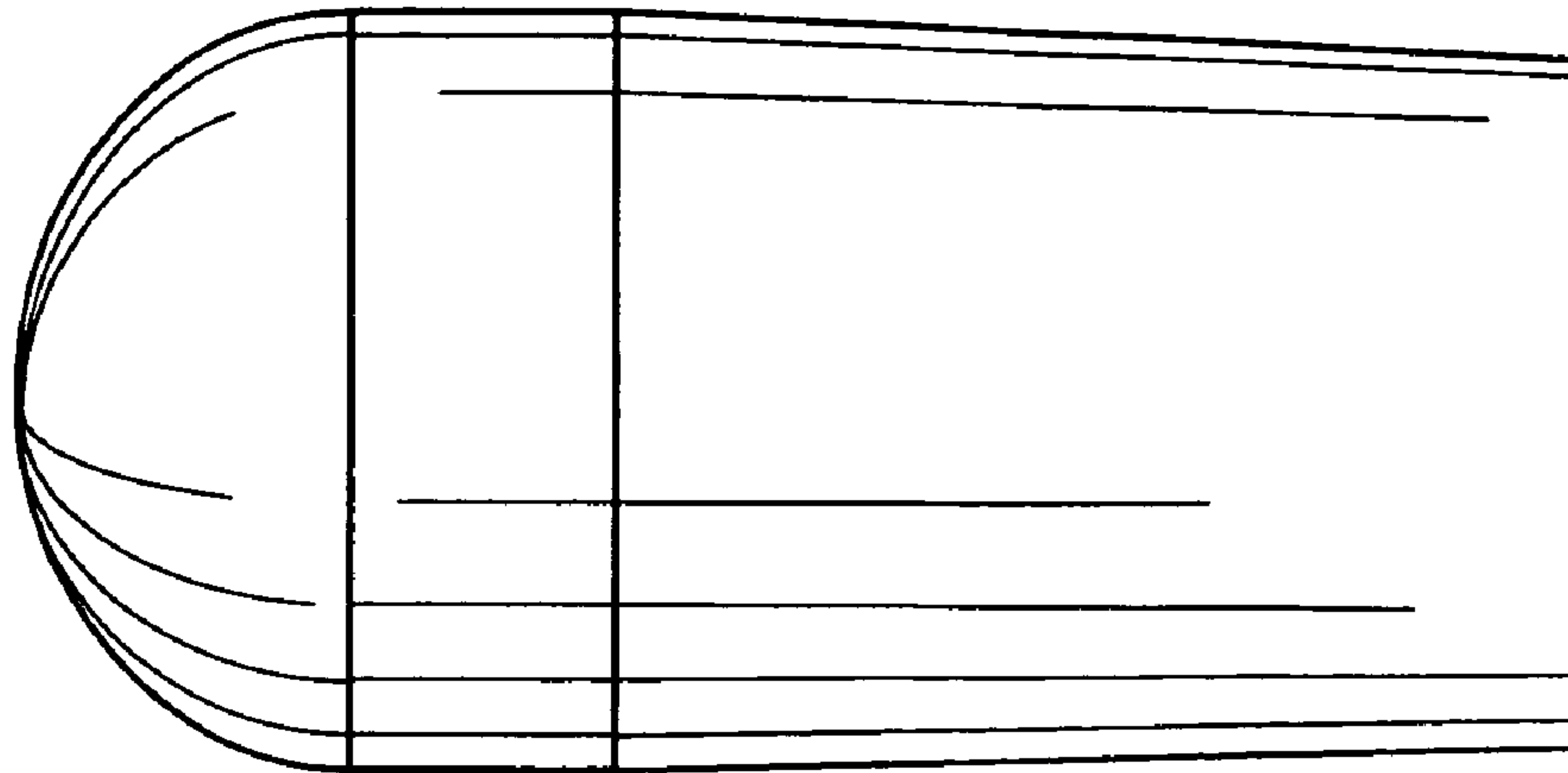


Fig. 4

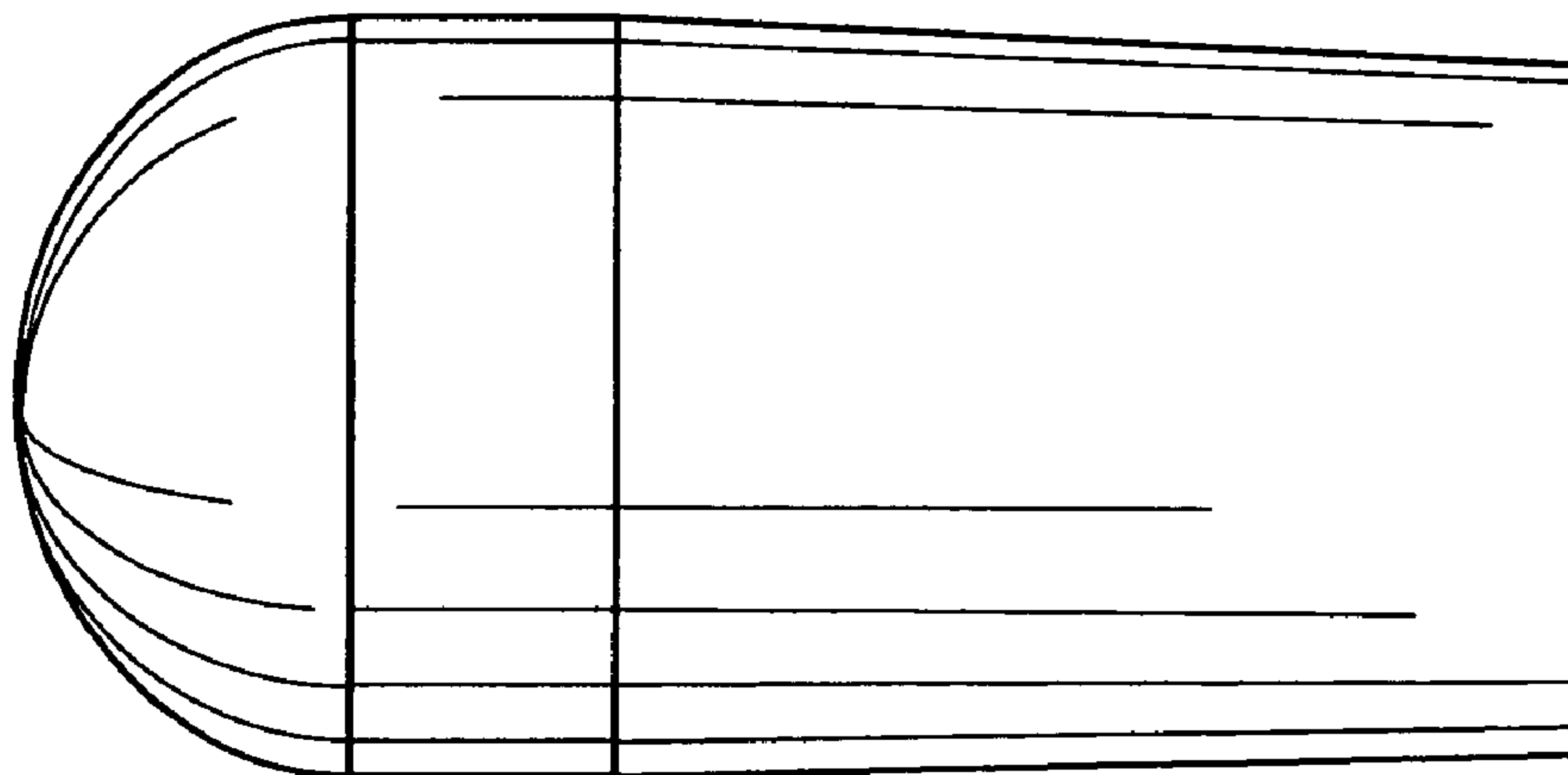


Fig. 5

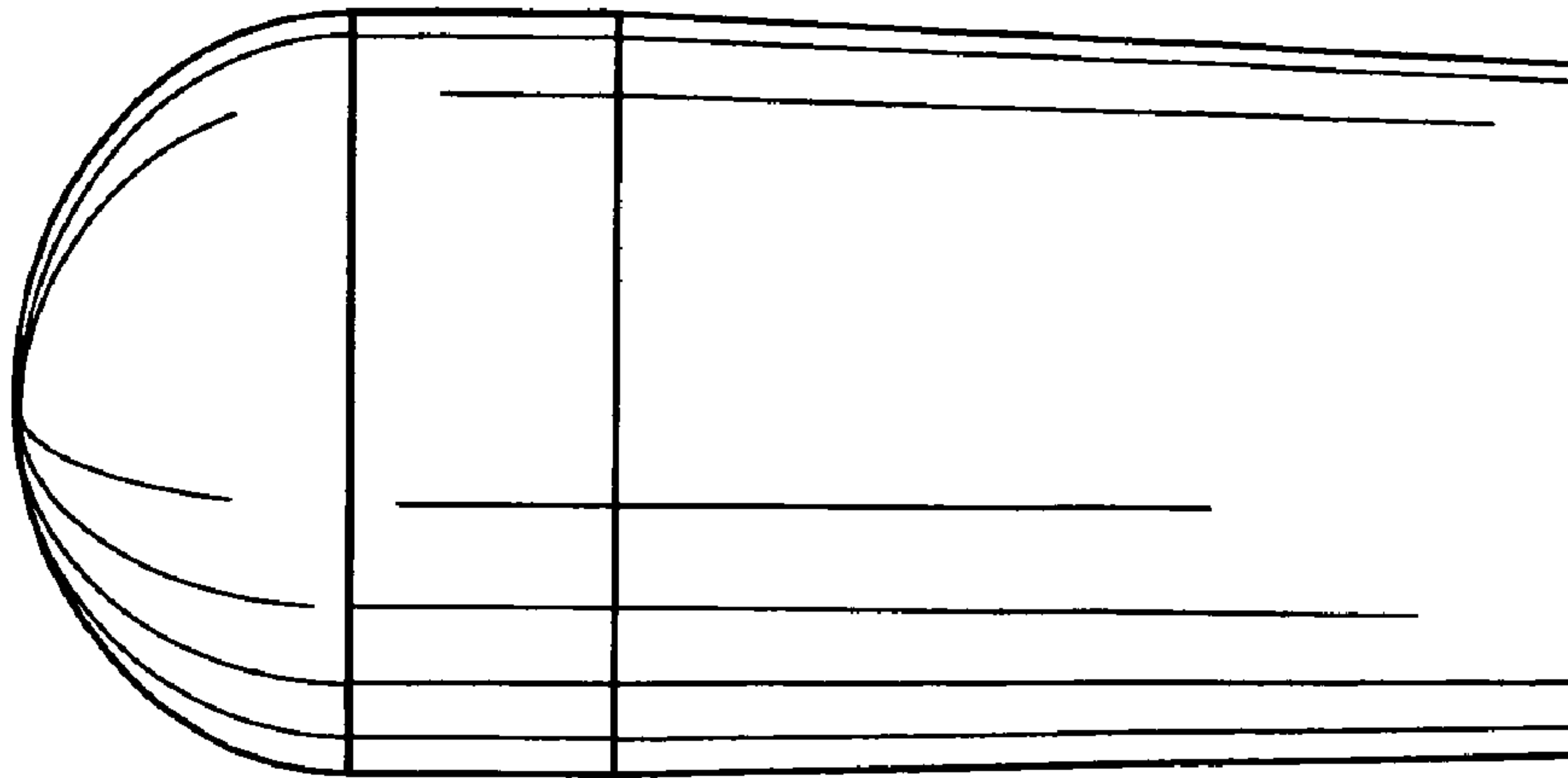


Fig. 6

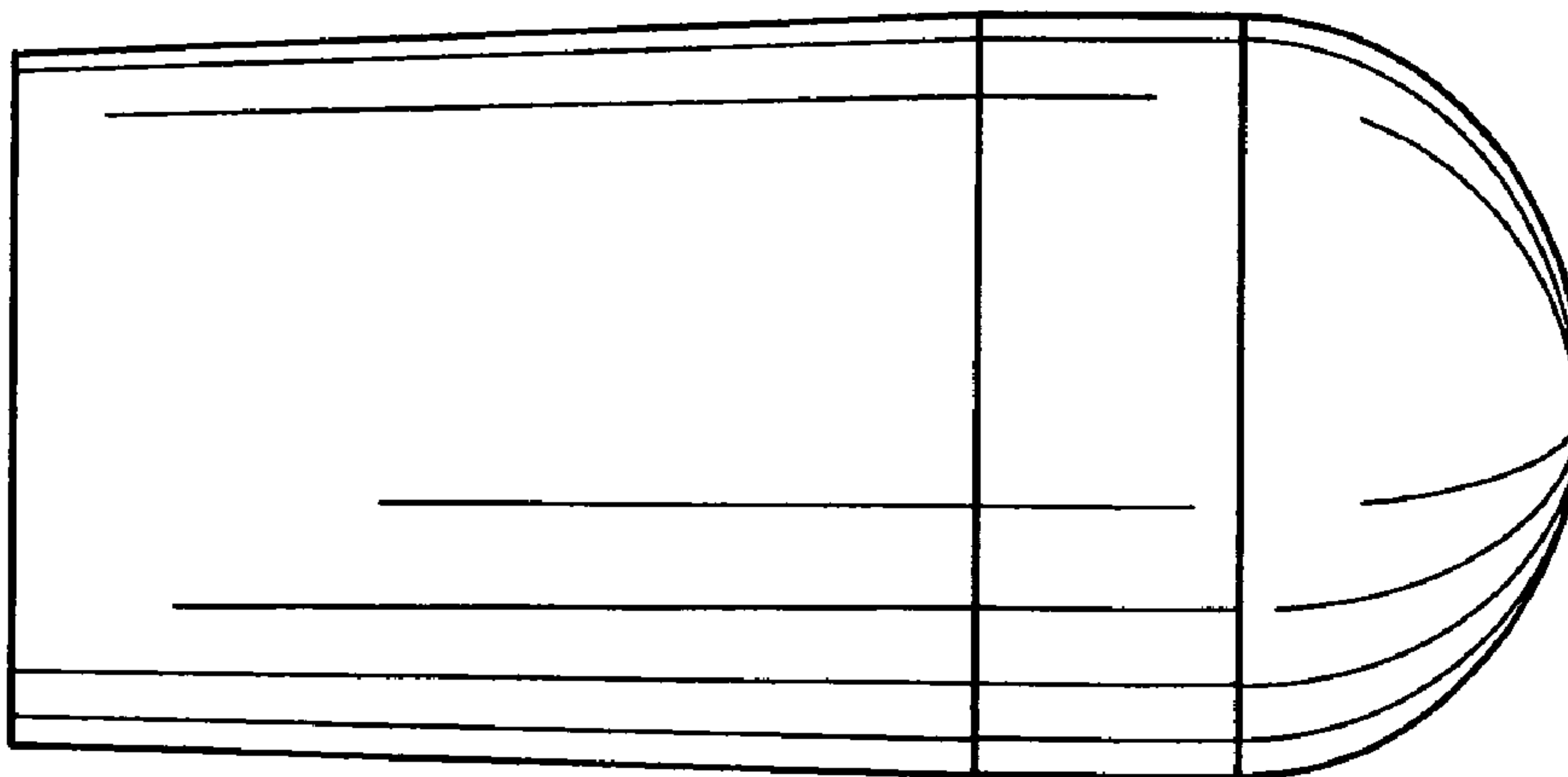


Fig. 7