



US00D640719S

(12) **United States Design Patent**
Sato

(10) **Patent No.:** **US D640,719 S**
(45) **Date of Patent:** **** Jun. 28, 2011**

(54) **ELECTRONIC CAMERA**

(75) Inventor: **Jun Sato**, Tokyo (JP)

(73) Assignee: **Fujifilm Corporation**, Tokyo (JP)

(**) Term: **14 Years**

(21) Appl. No.: **29/339,582**

(22) Filed: **Jul. 2, 2009**

(30) **Foreign Application Priority Data**

Jan. 19, 2009 (JP) 2009-000878

(51) **LOC (9) Cl.** **16-01**

(52) **U.S. Cl.** **D16/202**

(58) **Field of Classification Search** D16/200-204,
D16/212, 218, 219; 348/373-376; 358/909.1;
396/349, 448, 535-541
See application file for complete search history.

(56) **References Cited**

U.S. PATENT DOCUMENTS

D567,836 S * 4/2008 Sato D16/212
D568,362 S * 5/2008 Horikiri et al. D16/212

D588,178 S * 3/2009 Sakai D16/202
D602,968 S * 10/2009 Sato D16/212
2009/0103914 A1 * 4/2009 Kitagawa et al. 396/448

* cited by examiner

Primary Examiner — Adir Aronovich

(74) *Attorney, Agent, or Firm* — Young & Thompson

(57) **CLAIM**

The ornamental design for an electronic camera, as shown and described.

DESCRIPTION

FIG. 1 is a top, front and left side perspective view of an electronic camera showing my new design;
FIG. 2 is a top, rear and left side perspective view thereof;
FIG. 3 is a front elevational view thereof;
FIG. 4 is a rear elevational view thereof;
FIG. 5 is a top plan view thereof;
FIG. 6 is a bottom plan view thereof;
FIG. 7 is a left side elevational view thereof;
FIG. 8 is a right side elevational view thereof; and,
FIG. 9 is a top, front and left side perspective view thereof, with a lens cover in a closed position.

1 Claim, 8 Drawing Sheets

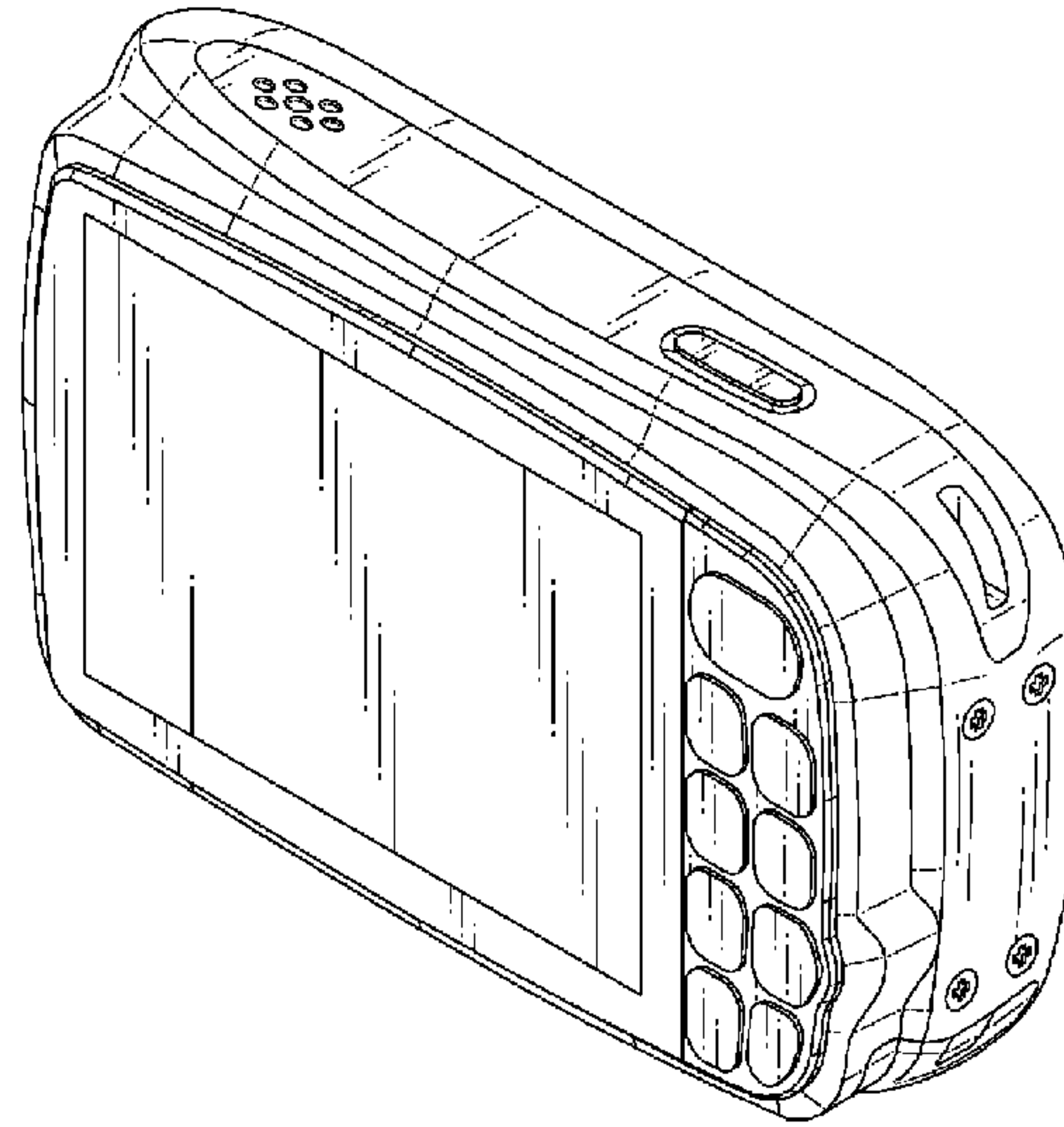
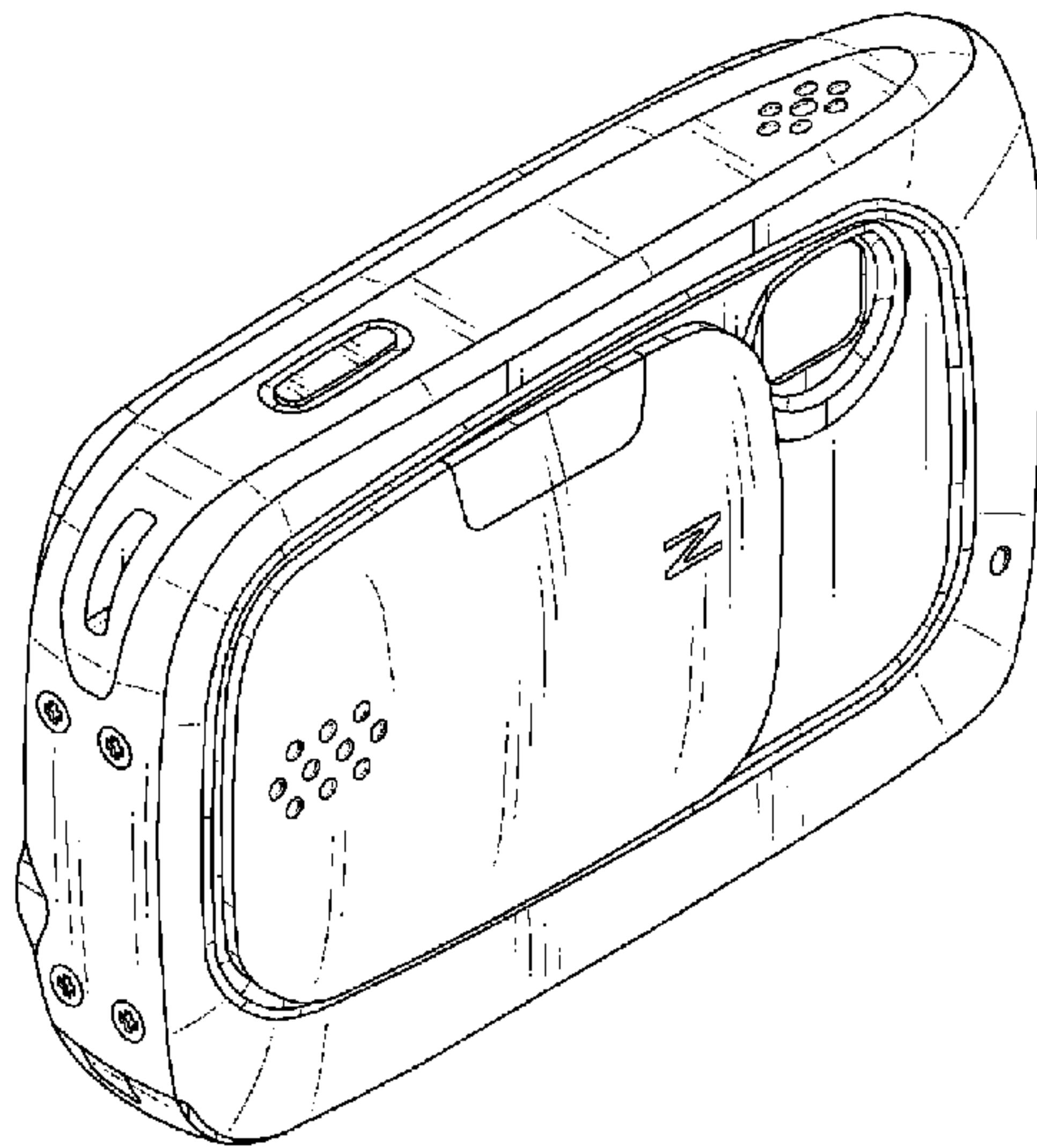


FIG. 1

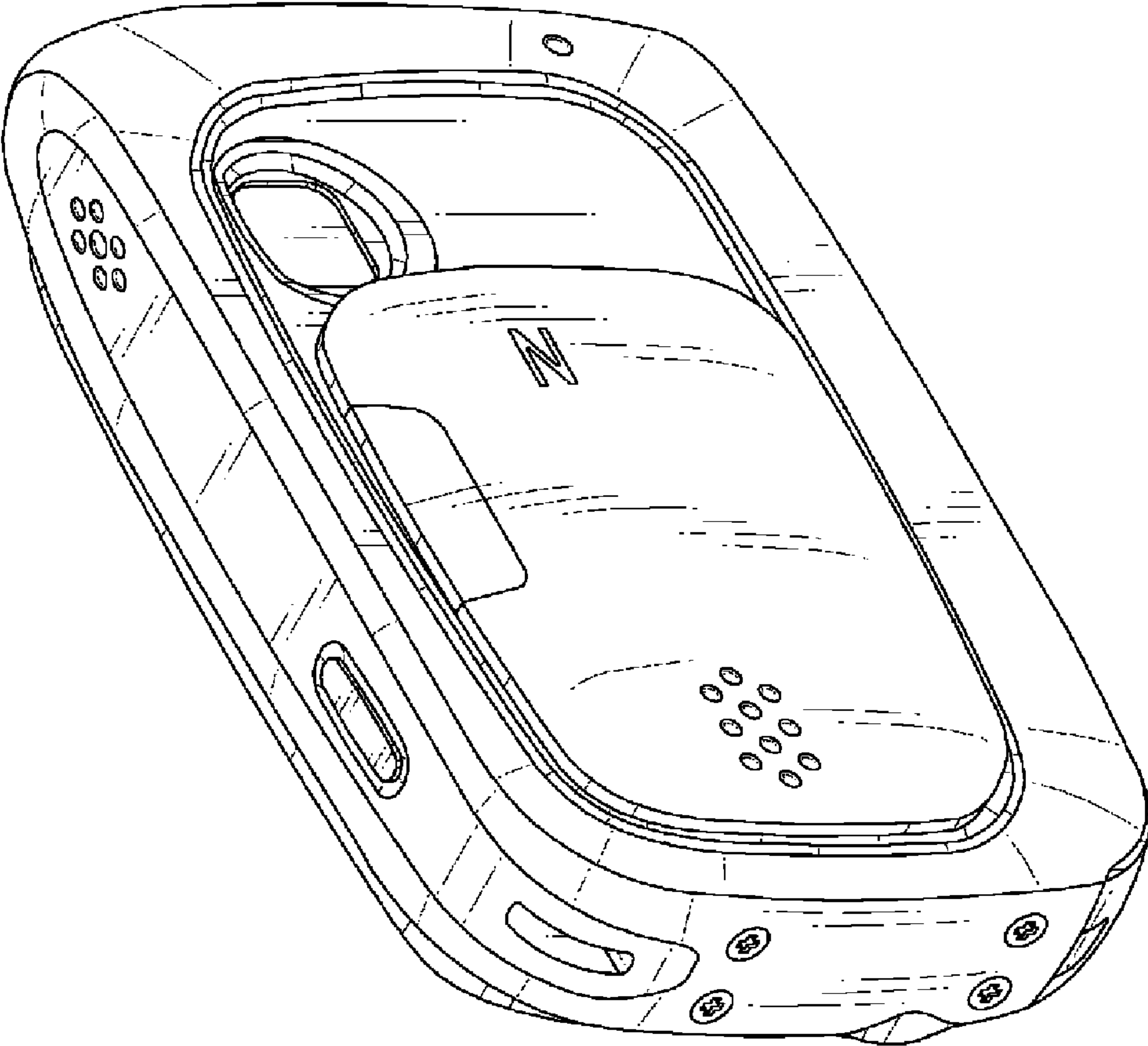


FIG. 2

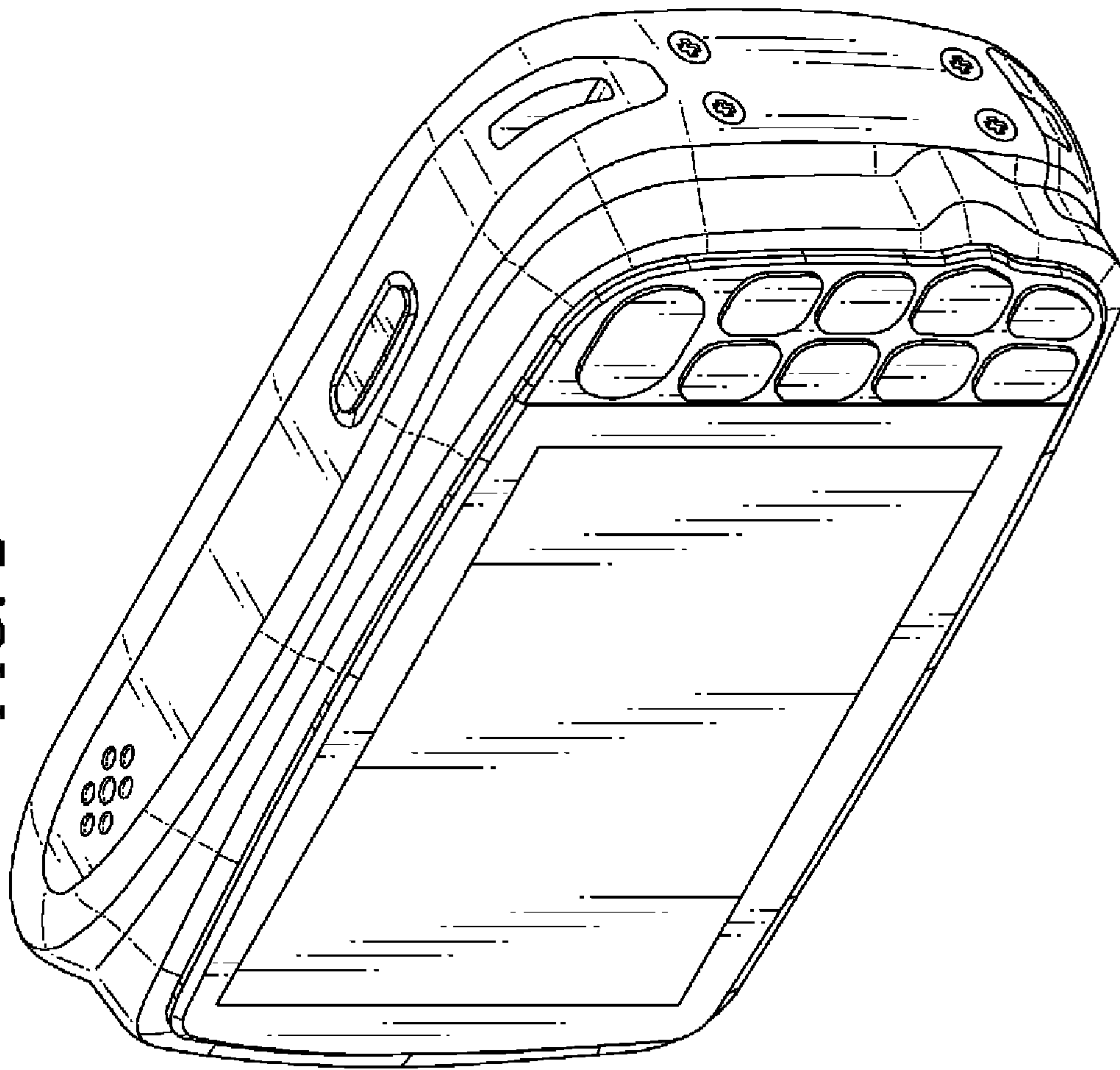


FIG. 3

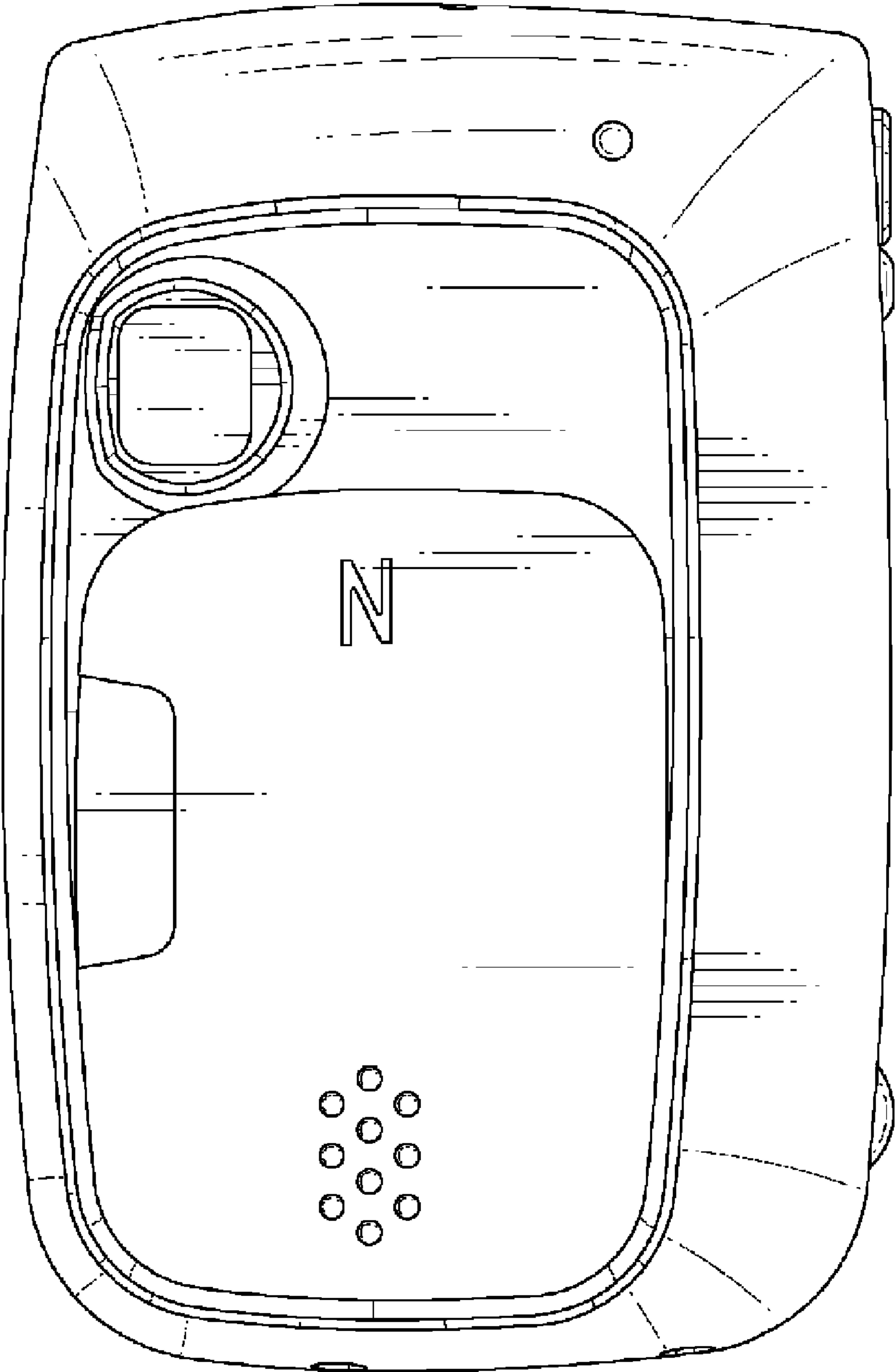


FIG. 4

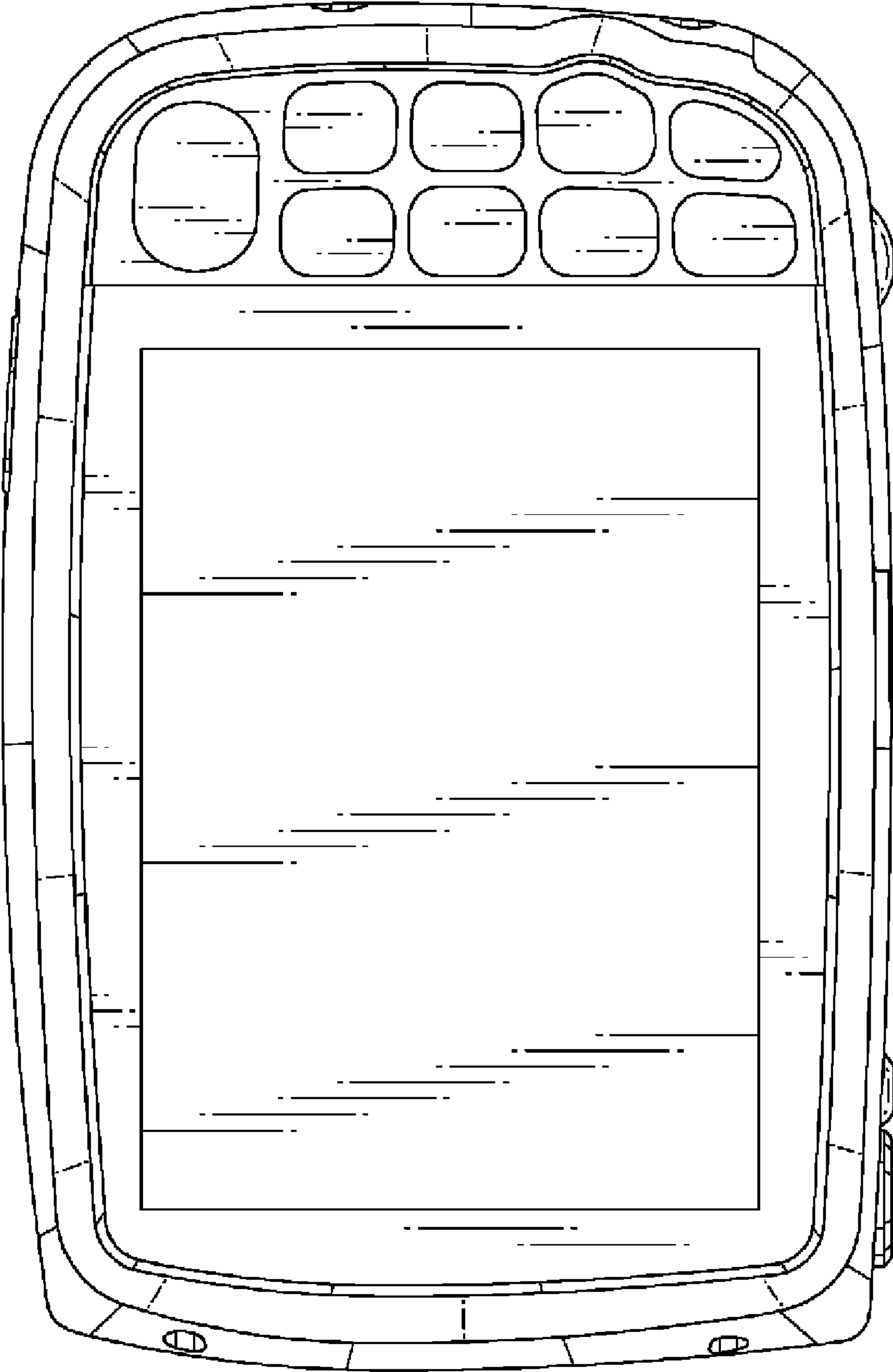


FIG. 5

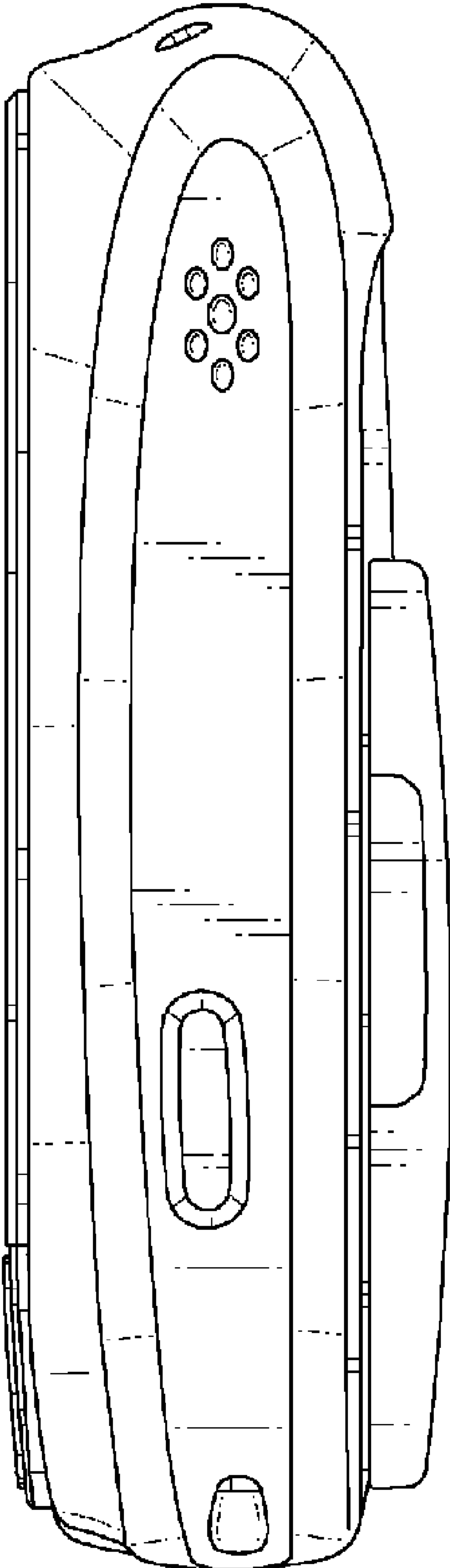


FIG. 6

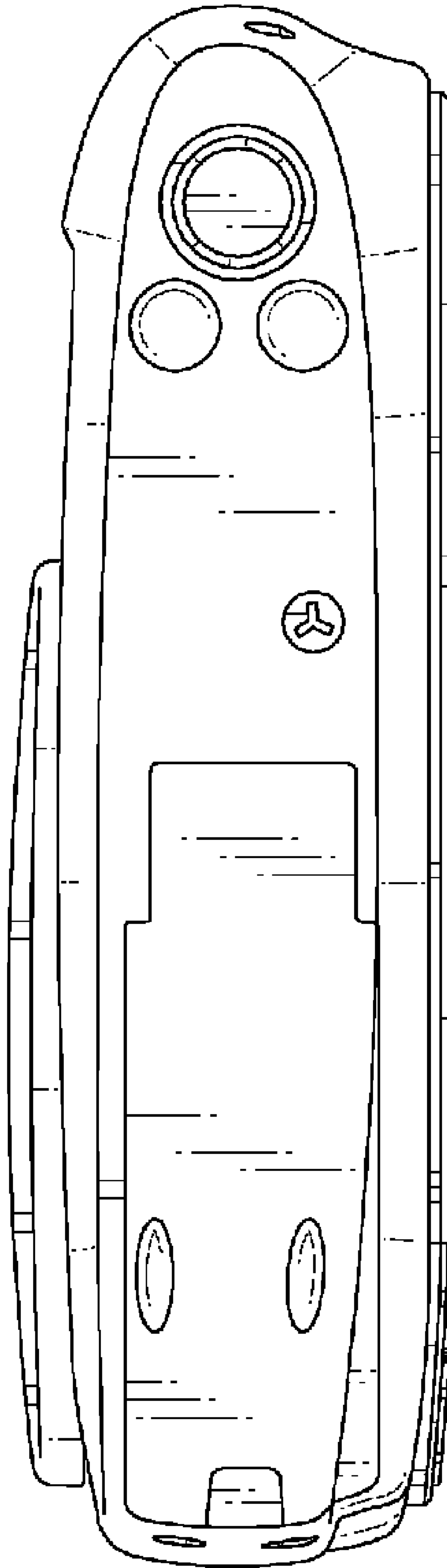


FIG. 8

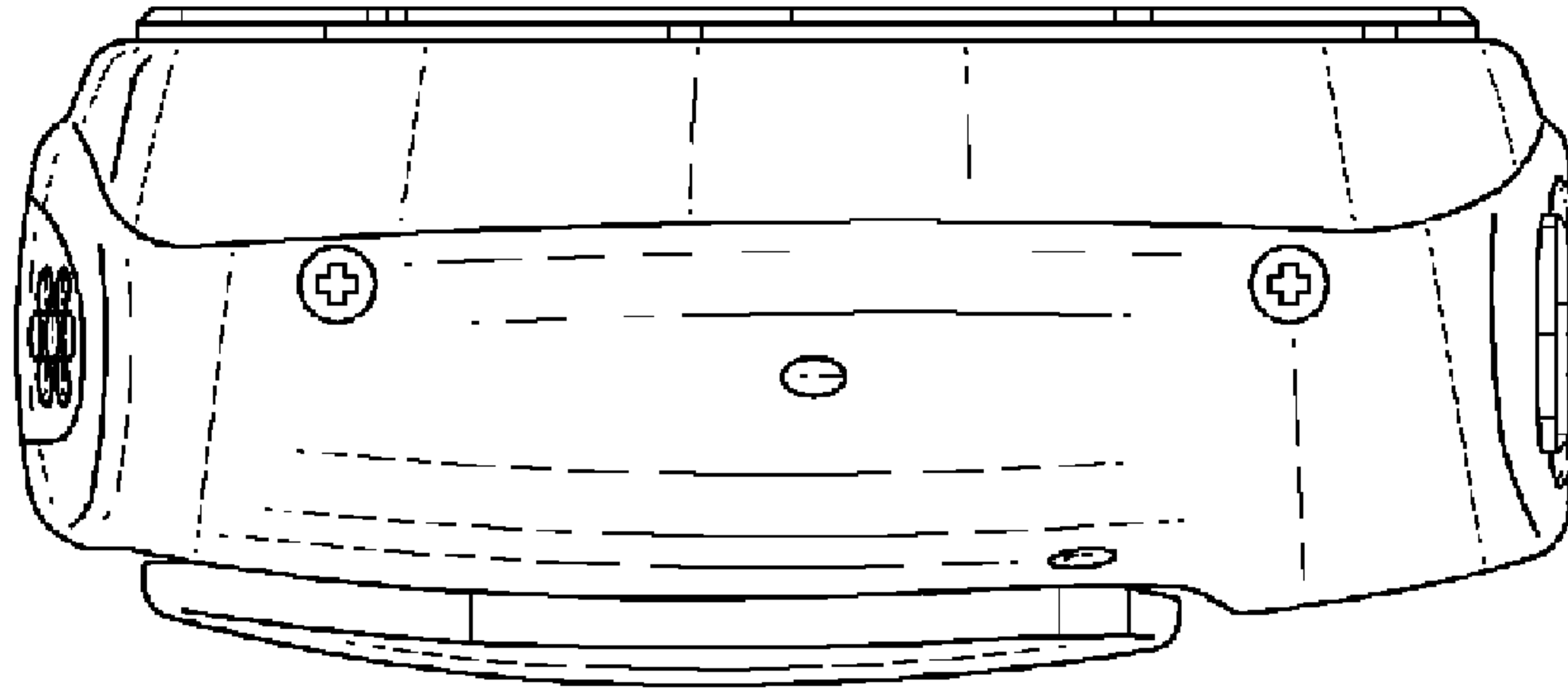


FIG. 7

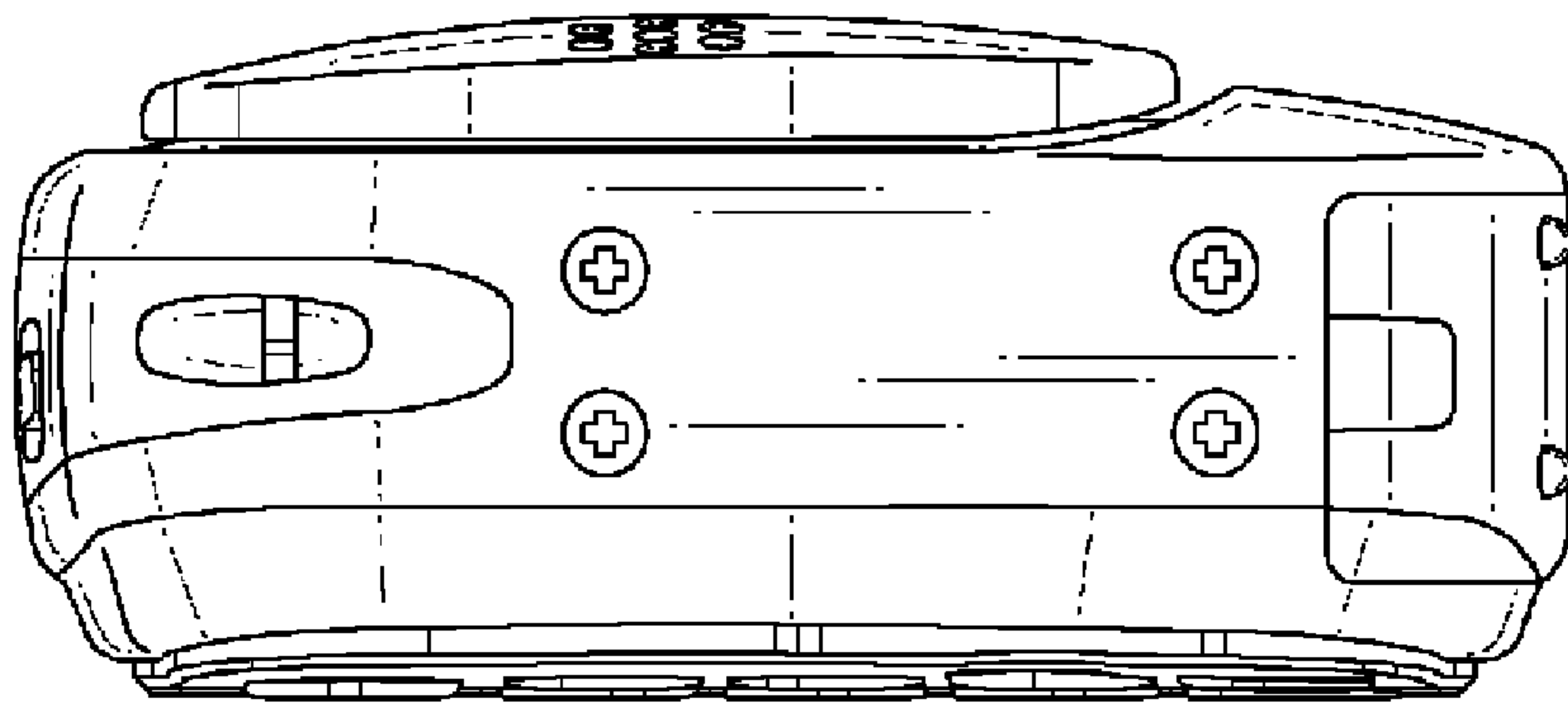


FIG. 9

