



US00D640718S

(12) **United States Design Patent**
Benson

(10) **Patent No.:** **US D640,718 S**

(45) **Date of Patent:** **** Jun. 28, 2011**

(54) **TOWABLE SERVICE CART**

(76) **Inventor:** **Robert D. Benson**, St. Paul, MN (US)

(**) **Term:** **14 Years**

(21) **Appl. No.:** **29/358,421**

(22) **Filed:** **Mar. 26, 2010**

(51) **LOC (9) Cl.** **15-09**

(52) **U.S. Cl.** **D15/150**

(58) **Field of Classification Search** D15/150,
D15/151, 152; D34/12, 16, 18; 141/86,
141/88, 98, 231, 375, 391; 184/6.28, 6.4,
184/27.1, 27.3, 31, 58, 65, 81, 106, 108;
206/311; 222/389, 608-628; 280/47.23,
280/47.26, 47.35, 659

See application file for complete search history.

(56) **References Cited**

U.S. PATENT DOCUMENTS

1,987,649	A *	1/1935	Wertz	134/111
D311,080	S *	10/1990	Arnott et al.	D34/21
D365,583	S *	12/1995	Viken	D15/151
5,494,191	A	2/1996	Benson		
D368,726	S *	4/1996	Few	D15/151
D395,439	S *	6/1998	King et al.	D15/150

D426,691	S *	6/2000	Johnson et al.	D34/21
D442,756	S *	5/2001	Jarvis et al.	D34/19
D465,895	S *	11/2002	Pfefferle et al.	D34/19
D470,871	S *	2/2003	Burger et al.	D15/150
D486,915	S *	2/2004	Warschewske et al.	D24/185
6,698,472	B2 *	3/2004	Camacho et al.	141/231
D518,267	S *	3/2006	Arceta	D34/14
7,513,510	B2 *	4/2009	Vanderberg et al.	280/47.26
D611,610	S *	3/2010	Fleck et al.	D24/185
2007/0079739	A1 *	4/2007	Meyer	111/200

* cited by examiner

Primary Examiner — Patricia Palasik

(74) *Attorney, Agent, or Firm* — Haugen Law Firm PLLP

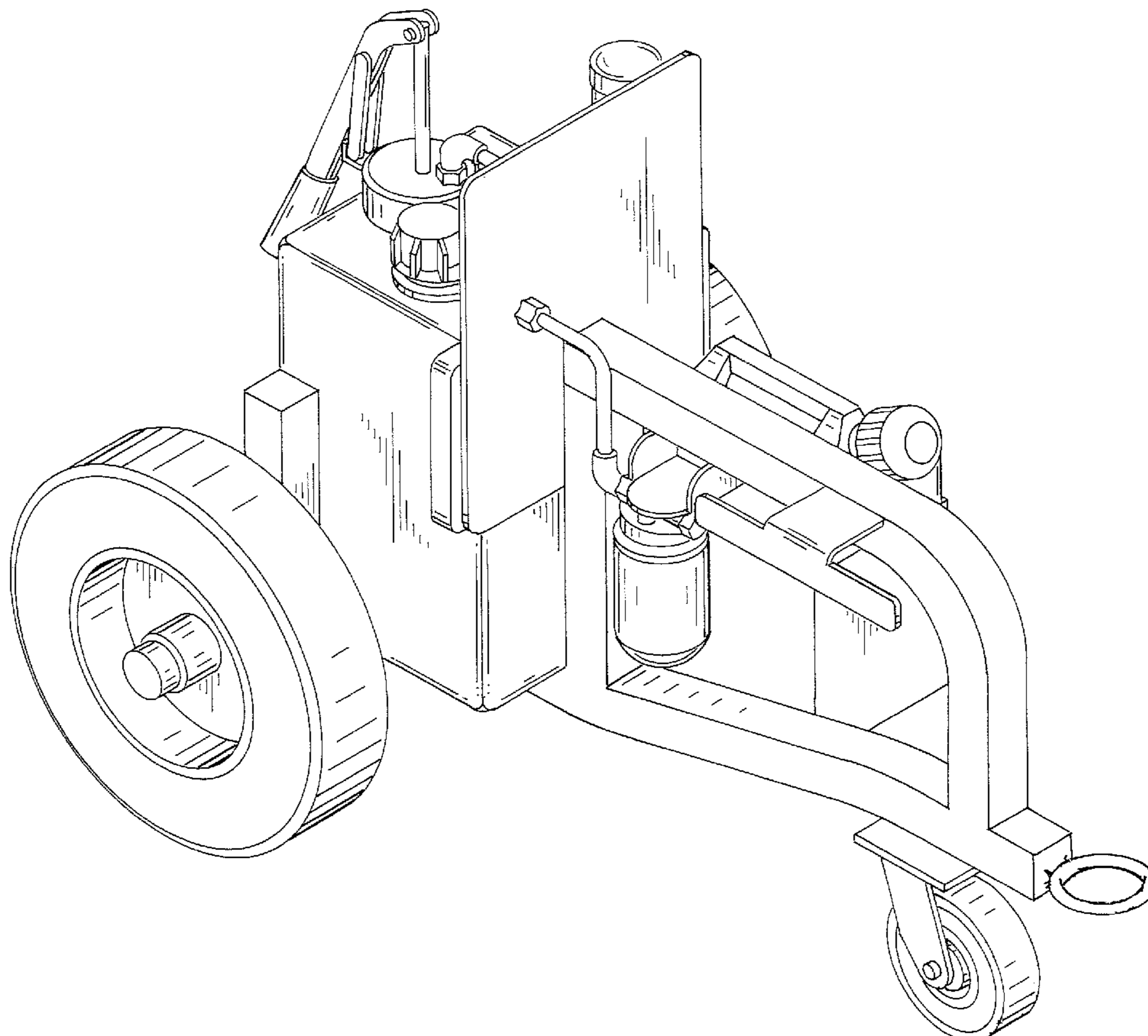
(57) **CLAIM**

The ornamental design for a towable service cart, as shown and described.

DESCRIPTION

FIG. 1 is a front perspective view of the design;
FIG. 2 is a first side elevational view of the design;
FIG. 3 is second side elevational view of the design;
FIG. 4 is a rear elevational view of the design
FIG. 5 is a front elevational view of the design;
FIG. 6 is a top plan view of the design; and,
FIG. 7 is a bottom plan view of the design.

1 Claim, 7 Drawing Sheets



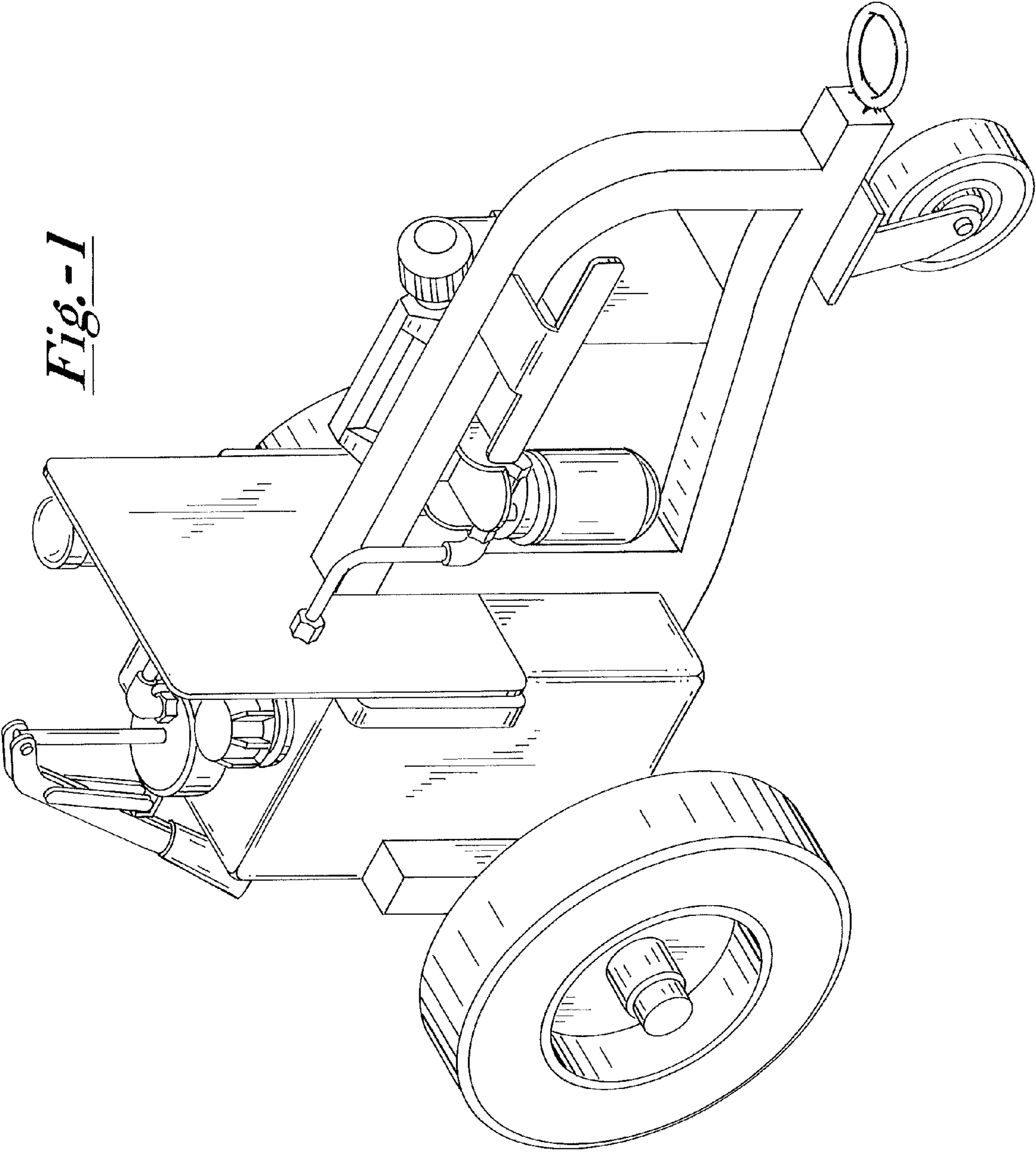
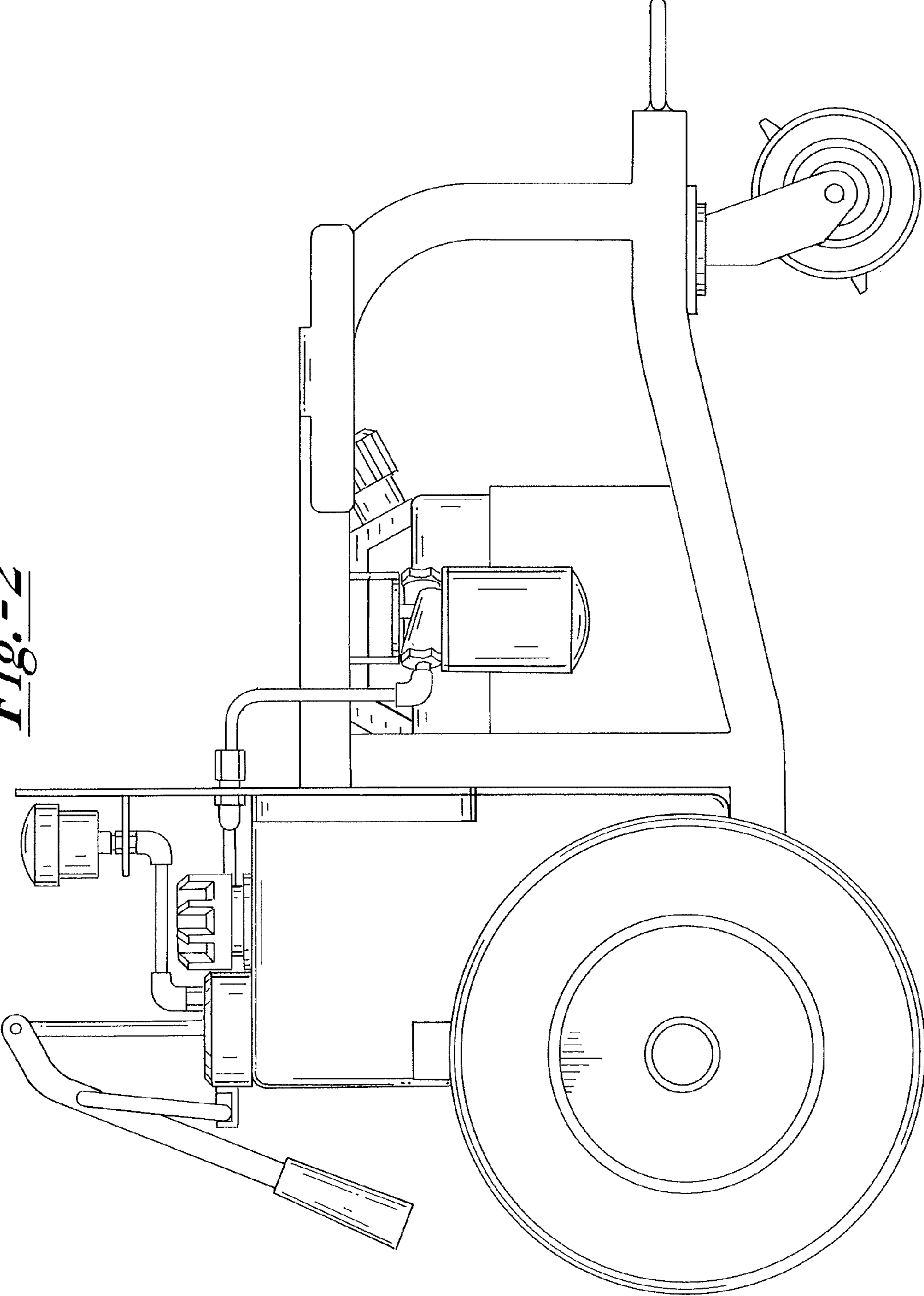


Fig.-1

Fig.-2



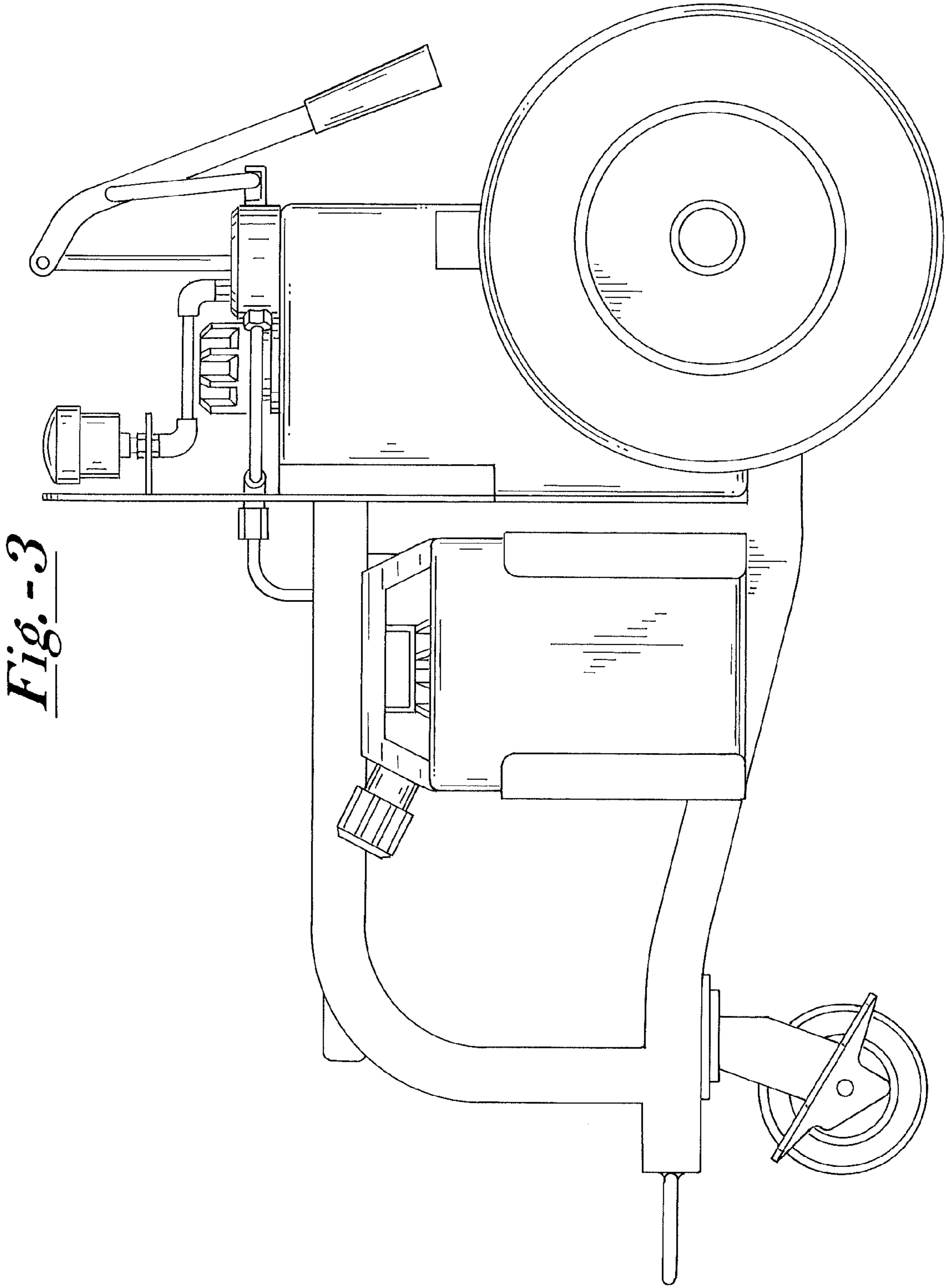


Fig. -3

Fig.-4

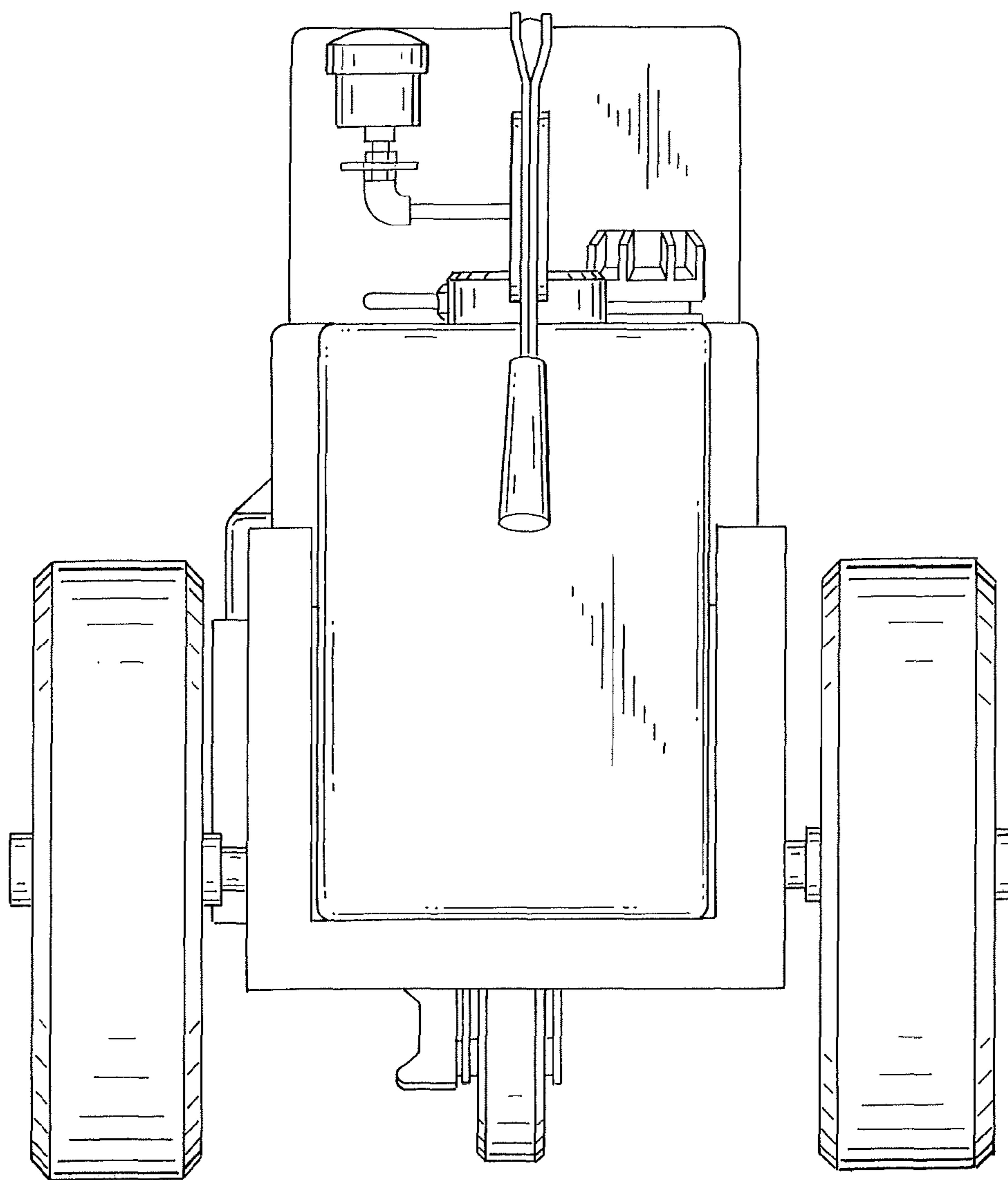


Fig.-5

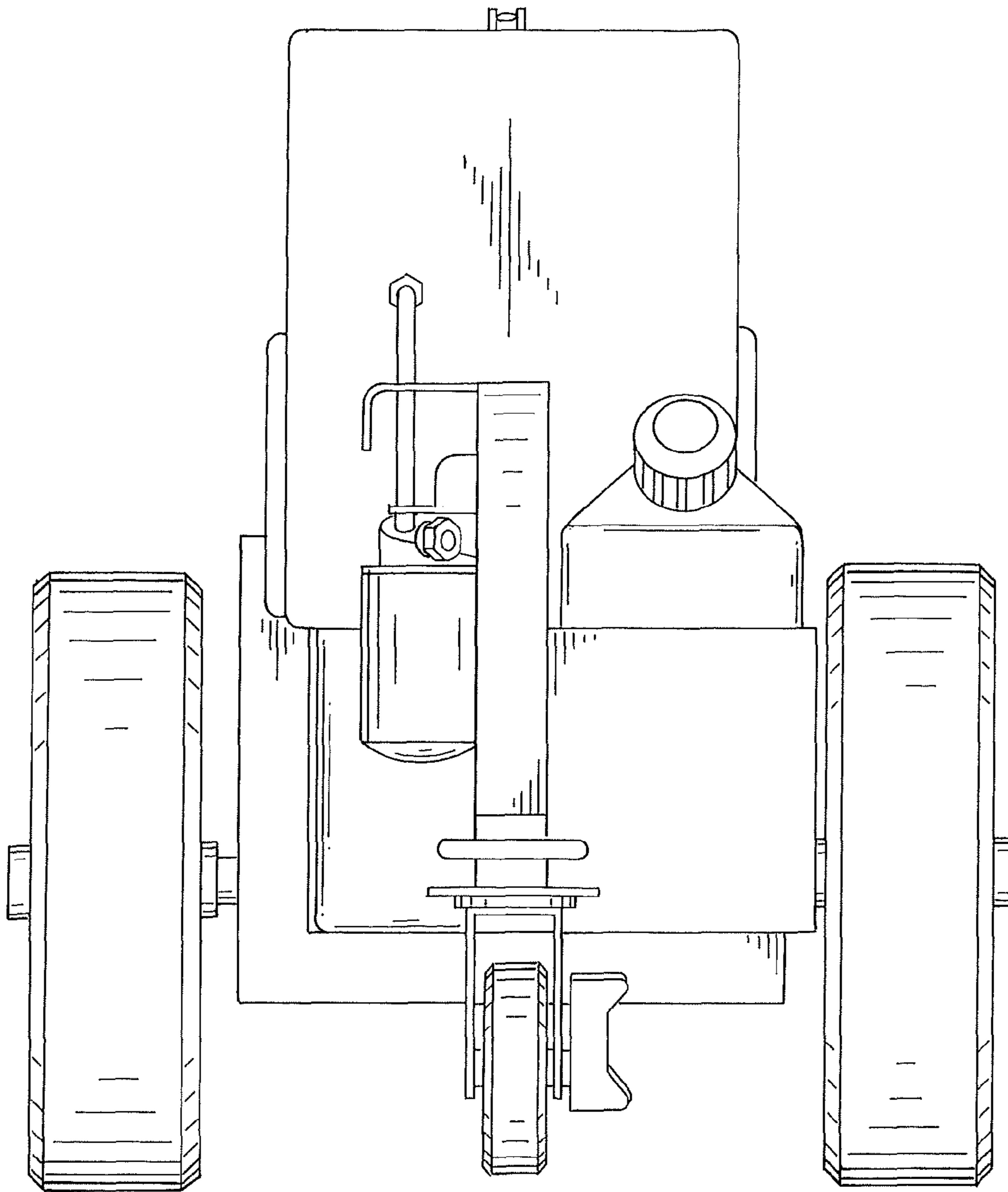


Fig. -6

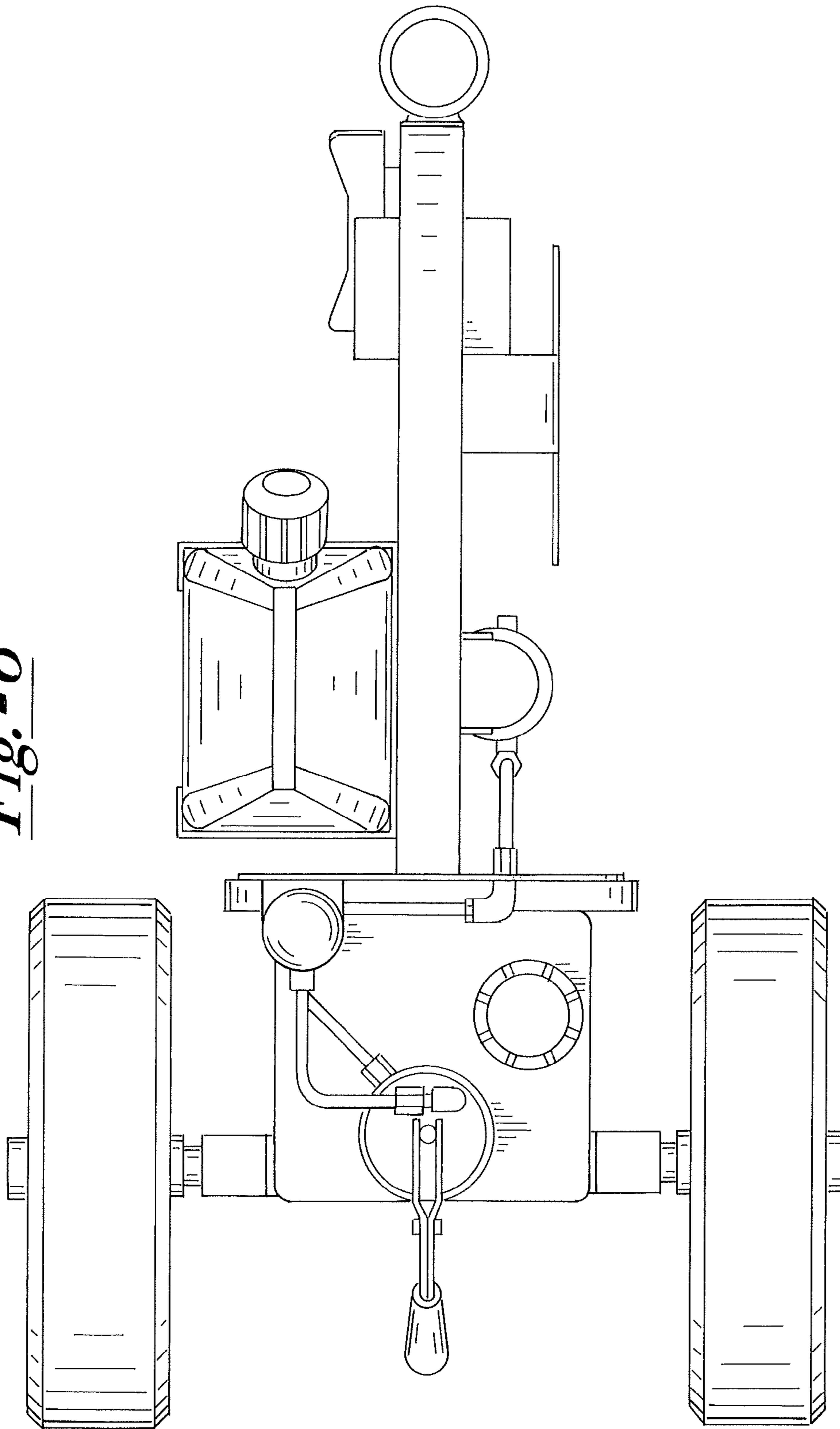


Fig. -7

